

Peer-to-Peer: Broad Pattern, Specific Applications

Clay Shirky

clay.shirky@nyu.edu

<http://www.shirky.com>

Aggregate Use of Distributed Resources

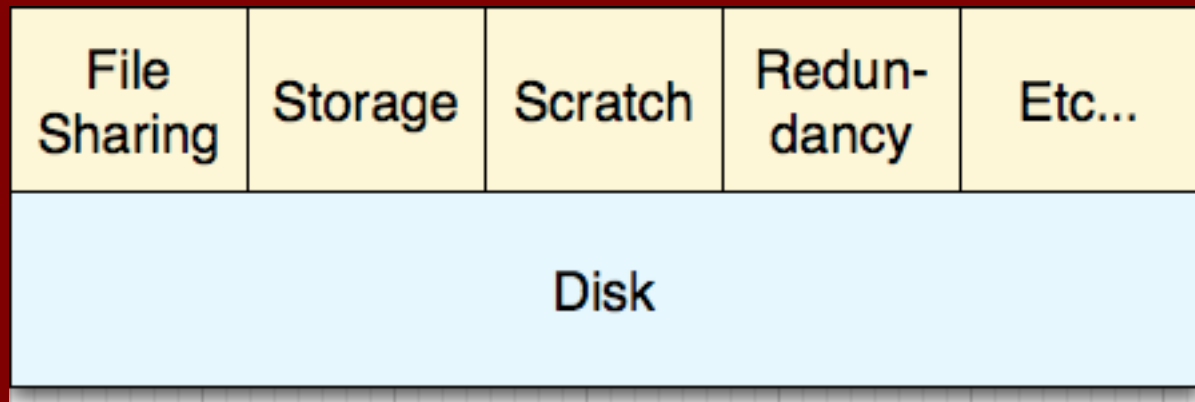
- Resources at the "edge" of the internet
 - PCs are the dark matter of the internet
- In aggregate, these resources are valuable
- They are impossible to aggregate using traditional models
- P2P applications create novel ways of aggregating these resources

Deep Pattern

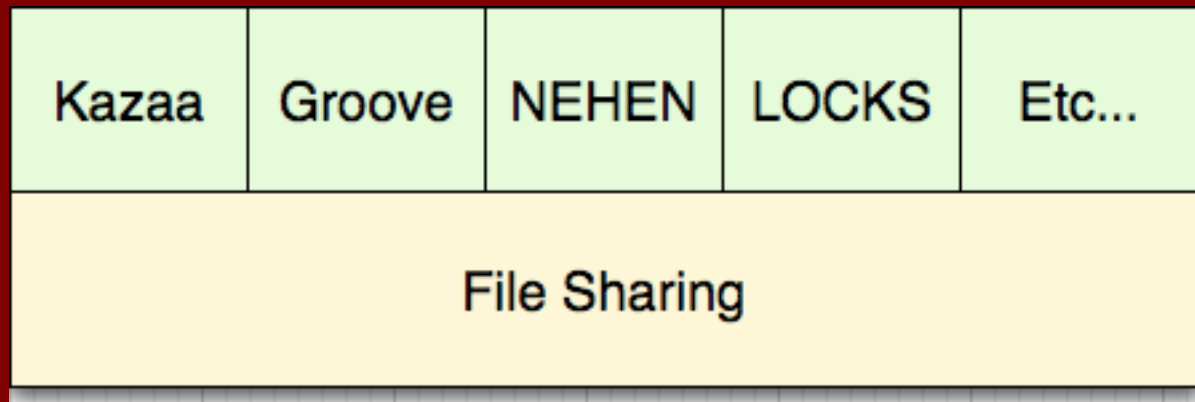
- General - Grid (SDSC, IBM, etc.)
- Disk - OceanStore
- CPU - SARS
- RAM - Genetic Algorithms
- Bandwidth - Bittorrent
- Attention - NASA Clickworkers

Disk	CPU	RAM	Band-width	Attention
Aggregate Use of Decentralized Resources				

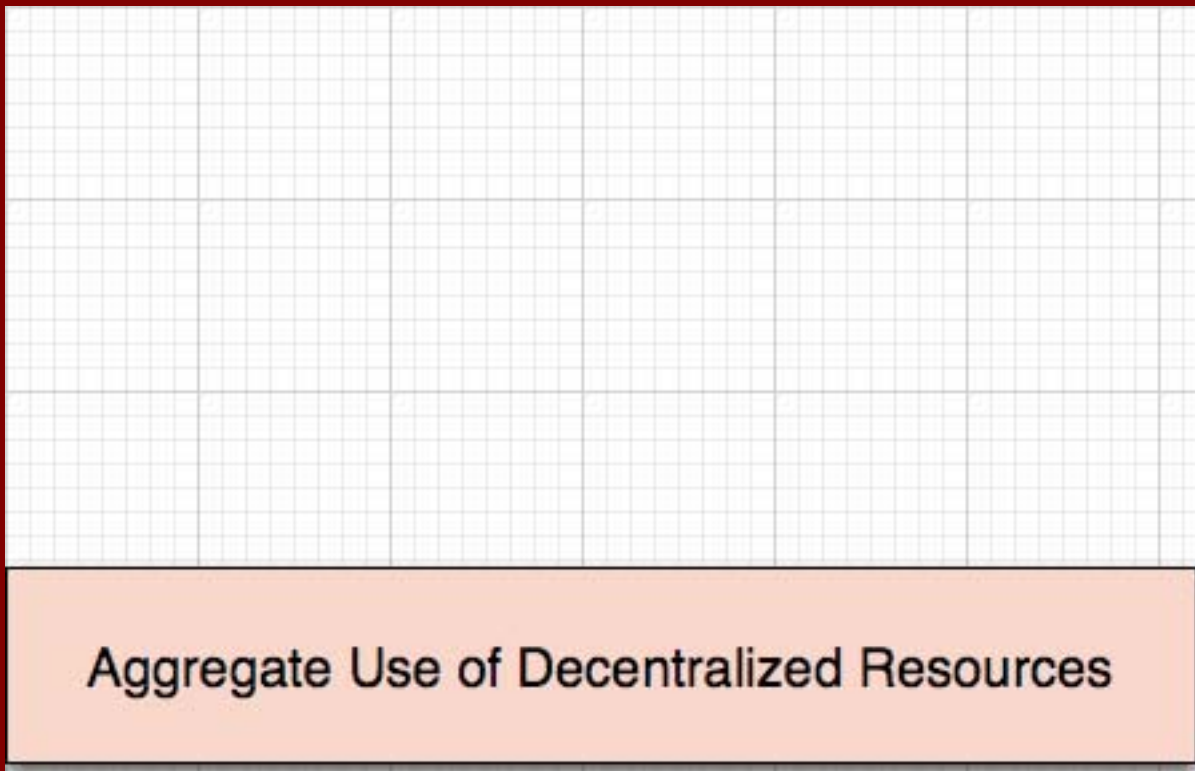
Middle Pattern



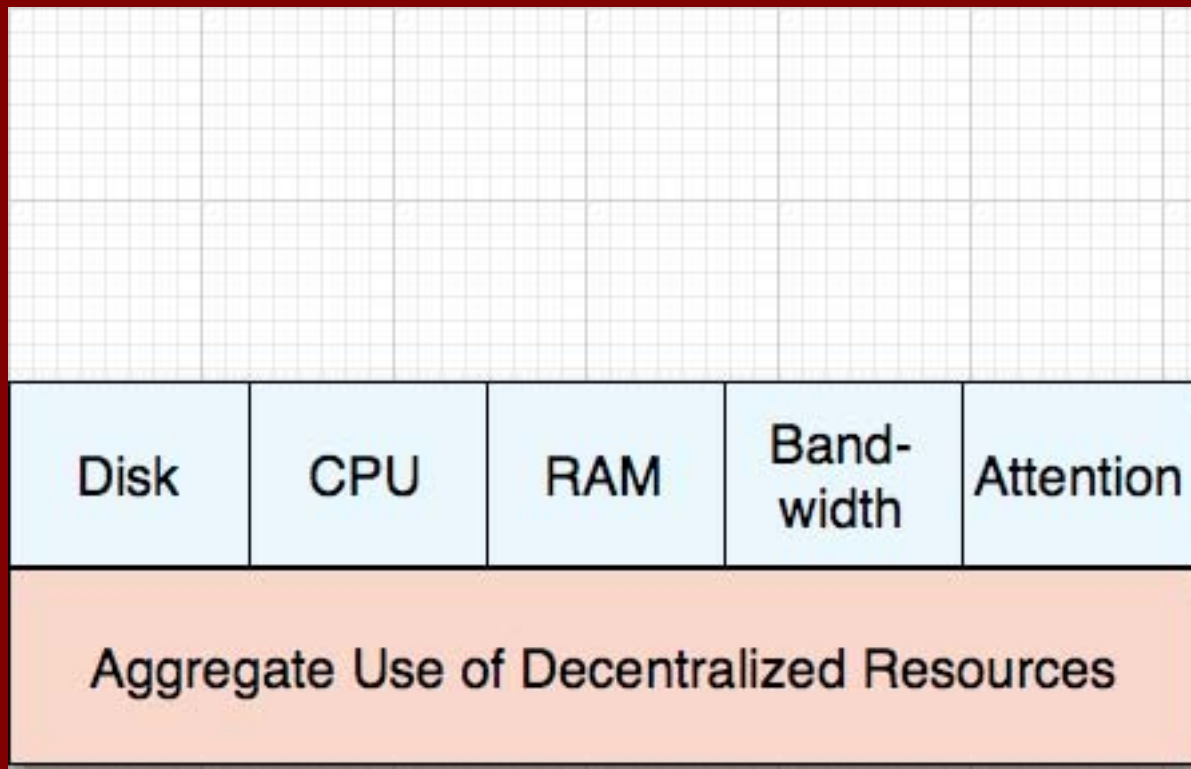
Shallow Pattern



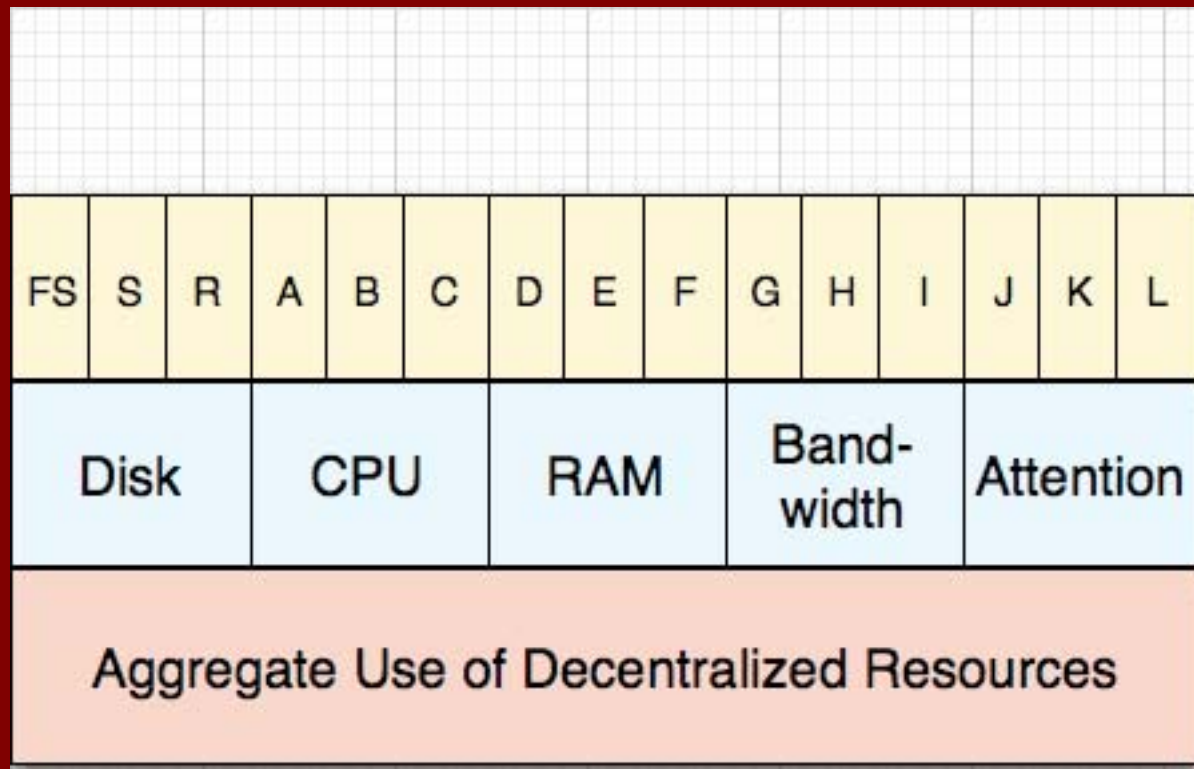
What Do We Mean By P2P?



What Do We Mean By P2P?



What Do We Mean By P2P?



What Do We Mean By P2P?

