



# Federal Register

---

**Thursday,  
December 21, 2000**

---

**Part II**

## **Architectural and Transportation Barriers Compliance Board**

---

**36 CFR Part 1194**

**Electronic and Information Technology  
Accessibility Standards; Final Rule**

**ARCHITECTURAL AND  
TRANSPORTATION BARRIERS  
COMPLIANCE BOARD**

**36 CFR Part 1194**

[Docket No. 2000-01]

RIN 3014-AA25

**Electronic and Information Technology  
Accessibility Standards**

**AGENCY:** Architectural and  
Transportation Barriers Compliance  
Board.

**ACTION:** Final rule.

**SUMMARY:** The Architectural and Transportation Barriers Compliance Board (Access Board) is issuing final accessibility standards for electronic and information technology covered by section 508 of the Rehabilitation Act Amendments of 1998. Section 508 requires the Access Board to publish standards setting forth a definition of electronic and information technology and the technical and functional performance criteria necessary for such technology to comply with section 508. Section 508 requires that when Federal agencies develop, procure, maintain, or use electronic and information technology, they shall ensure that the electronic and information technology allows Federal employees with disabilities to have access to and use of information and data that is comparable to the access to and use of information and data by Federal employees who are not individuals with disabilities, unless an undue burden would be imposed on the agency. Section 508 also requires that individuals with disabilities, who are members of the public seeking information or services from a Federal agency, have access to and use of information and data that is comparable to that provided to the public who are not individuals with disabilities, unless an undue burden would be imposed on the agency.

**DATES:** *Effective Date:* February 20, 2001.

**FOR FURTHER INFORMATION CONTACT:**  
Doug Wakefield, Office of Technical and Information Services, Architectural and Transportation Barriers Compliance Board, 1331 F Street, NW., suite 1000, Washington, DC 20004-1111. Telephone number (202) 272-5434 extension 139 (voice); (202) 272-5449 (TTY). Electronic mail address: wakefield@access-board.gov.

**SUPPLEMENTARY INFORMATION:**

**Availability of Copies and Electronic  
Access**

Single copies of this publication may be obtained at no cost by calling the Access Board's automated publications order line (202) 272-5434, by pressing 2 on the telephone keypad, then 1, and requesting publication S-40 (Electronic and Information Technology Accessibility Standards Final Rule). Persons using a TTY should call (202) 272-5449. Please record a name, address, telephone number and request publication S-40. This document is available in alternate formats upon request. Persons who want a copy in an alternate format should specify the type of format (cassette tape, Braille, large print, or computer disk). This document is also available on the Board's Internet site (<http://www.access-board.gov/sec508/508standards.htm>).

**Background**

On August 7, 1998, the President signed into law the Workforce Investment Act of 1998, which includes the Rehabilitation Act Amendments of 1998. Section 508 of the Rehabilitation Act Amendments, as amended by the Workforce Investment Act of 1998, requires that when Federal agencies develop, procure, maintain, or use electronic and information technology, they shall ensure that the electronic and information technology allows Federal employees with disabilities to have access to and use of information and data that is comparable to the access to and use of information and data by Federal employees who are not individuals with disabilities, unless an undue burden would be imposed on the agency.<sup>1</sup> Section 508 also requires that individuals with disabilities, who are members of the public seeking information or services from a Federal agency, have access to and use of information and data that is comparable to that provided to the public who are not individuals with disabilities.

Section 508(a)(2)(A) requires the Architectural and Transportation Barriers Compliance Board (Access Board)<sup>2</sup> to publish standards setting

<sup>1</sup> Section 508 does not apply to national security systems, as that term is defined in section 5142 of the Clinger-Cohen Act of 1996 (40 U.S.C. 1452).

<sup>2</sup> The Access Board is an independent Federal agency established by section 502 of the Rehabilitation Act (29 U.S.C. 792) whose primary mission is to promote accessibility for individuals with disabilities. The Access Board consists of 25 members. Thirteen are appointed by the President from among the public, a majority of who are required to be individuals with disabilities. The other twelve are heads of the following Federal agencies or their designees whose positions are

forth a definition of electronic and information technology and the technical and functional performance criteria necessary for accessibility for such technology. If an agency determines that meeting the standards, when procuring electronic and information technology, imposes an undue burden, it must explain why meeting the standards creates an undue burden.

On March 31, 2000, the Access Board issued a notice of proposed rulemaking (NPRM) in the **Federal Register** (65 FR 17346) proposing standards for accessible electronic and information technology. The proposed standards were based on recommendations of the Electronic and Information Technology Access Advisory Committee (EITAAC). The EITAAC was convened by the Access Board in September 1998 to assist the Board in fulfilling its mandate under section 508. It was composed of 27 members including representatives of the electronic and information technology industry, organizations representing the access needs of individuals with disabilities, and other persons affected by accessibility standards for electronic and information technology. Representatives of Federal agencies, including the departments of Commerce, Defense, Education, Justice, Veterans Affairs, the Federal Communications Commission, and the General Services Administration, served as ex-officio members or observers of the EITAAC.

The public comment period for the proposed rule ended on May 30, 2000. Over 100 individuals and organizations submitted comments on the proposed standards. Comments were submitted by Federal agencies, representatives of the information technology industry, disability groups, and persons with disabilities. Approximately 35 percent of the comments came from Federal agencies. Fifteen percent came from individual companies and industry trade associations. Approximately 30 percent of the comments were from individuals with disabilities and organizations representing persons with disabilities. Eight states responded to the proposed rule and the remaining comments were from educational or research organizations.

The proposed standards covered various products, including computers, software, and electronic office

Executive Level IV or above: The departments of Health and Human Services, Education, Transportation, Housing and Urban Development, Labor, Interior, Defense, Justice, Veterans Affairs, and Commerce; the General Services Administration; and the United States Postal Service.

equipment in the Federal sector. They provided technical criteria specific to various types of technologies and performance-based requirements, which focus on the functional capabilities of covered technologies. Specific criteria covered controls, keyboards, and keypads; software applications and operating systems (non-embedded); web-based information or applications; telecommunications functions; video or multi-media products; and information kiosks and transaction machines. Also covered was compatibility with adaptive equipment that people with disabilities commonly use for information and communication access.

### General Issues

This section of the preamble addresses general issues raised by comments filed in response to the NPRM. Individual provisions of the rule are discussed in detail under the Section-by-Section Analysis below.

#### *Effective Date for the Enforcement of Section 508*

Section 508(a)(2)(A) required the Board to publish final standards for accessible electronic and information technology by February 7, 2000. Section 508(a)(3) provides that within six months after the Board publishes its standards, the Federal Acquisition Regulatory Council is required to revise the Federal Acquisition Regulation (FAR), and each Federal agency is required to revise the Federal procurement policies and directives under its control to incorporate the Board's standards.<sup>3</sup>

Because of the delay in publishing the standards, the proposed rule sought comment on making the standards effective six months after publication in the **Federal Register** to provide Federal agencies an opportunity to more fully understand the new standards and allow manufacturers of electronic and information technology time to ensure that their products comply with the standards before enforcement actions could be initiated. The NPRM noted that postponing the effective date of the Board's standards could not affect the right of individuals with disabilities to file complaints for electronic and information technology procured after August 7, 2000 since that right was established by the statute.

*Comment.* There was a general consensus that a delay in the effective

date of the standards was warranted to provide a reasonable period of time for industry to bring their products into compliance with the Board's standards.

*Response.* On July 13, 2000, President Clinton signed into law the Military Construction Appropriations Act for Fiscal Year 2001 (Public Law 106-246) which included an amendment to section 508 of the Rehabilitation Act. Under the amendment, the effective date for the enforcement of section 508 was delayed to allow for additional time for compliance with the Board's final standards. As originally written, the enforcement provisions of section 508 would have taken effect on August 7, 2000. The amendment in Public Law 106-246 revises the enforcement date to 6 months from publication of the Board's final standards, consistent with the law's intent. As a result of the amendment, there is no need to delay the effective date of the standards. The effective date for the standards is largely an administrative provision and does not affect the date by which complaints may be filed under section 508.

Complaints and lawsuits may be filed 6 months from the date of publication of these standards in the **Federal Register**.

#### *Technical and Functional Performance Criteria*

Section 508 (a)(2)(A)(ii) requires the Board to develop technical and functional performance criteria necessary to implement the requirements of section 508.

*Comment.* The Information Technology Association of America (ITAA) commented that the specificity of many of the proposed provisions go beyond what may be characterized as technical and functional performance criteria. ITAA commented that the statute intended that the standards be set forth in terms of technical and functional performance criteria as opposed to technical design requirements. Performance criteria are intended to give discretion in achieving the required end result. ITAA commented that product developers, who have a broad understanding of their own products, industry standards, and future trends need this discretion to meet the requirements of section 508 and that it is impossible to predict accurately future technological advances. Design requirements, they added, inhibit development and innovation. ITAA was concerned that many of the proposed provisions would impede technological advancements because they were too specific. On the other hand, ITAA supported proposed § 1194.5, Equivalent Facilitation,

because it would lessen the adverse impact of the specific requirements.

*Response.* According to administration policy, performance standards are generally to be preferred to engineering or design standards because performance standards provide the regulated parties the flexibility to achieve the regulatory objective in a more cost-effective way. The Board was given the responsibility to develop technical and functional performance criteria necessary to implement the requirements of section 508. Thus, the standards provide technical requirements as well as functional performance criteria. The standards reflect the need to be as descriptive as possible because procurement officials and others need to know when compliance with section 508 has been achieved and because the failure to meet the standards can result in an enforcement action. Several provisions, such as those regarding time-out features, have been revised in the final rule to be more performance oriented rather than specific design standards.

### Section-by-Section Analysis

This section of the preamble summarizes each of the provisions of the final rule and the comments received in response to the proposed rule. Where the provision in the final rule differs from that of the proposed rule, an explanation of the modification is provided. The text of the final rule follows this section.

#### **Subpart A—General**

##### *Section 1194.1 Purpose*

This section describes the purpose of the standards which is to implement section 508 of the Rehabilitation Act of 1973, as amended by the Workforce Investment Act of 1998. No substantive comments were received and no changes have been made to this section in the final rule.

##### *Section 1194.2 Application*

This section specifies what electronic and information technology is covered by the standards. Electronic and information technology covered by section 508 must comply with each of the relevant sections of this part. For example, a computer and its software programs would be required to comply with § 1194.26, Desktop and portable computers, § 1194.21, Software applications and operating systems, and the functional performance criteria in § 1194.31. Paragraph (a) states the general statutory requirement for electronic and information technology that must comply with the standards

<sup>3</sup> Whenever the Access Board revises its standards, the Federal Acquisition Regulatory Council is required to revise the FAR, and each appropriate Federal agency is required to revise its procurement policies and directives within six months to incorporate the revisions.

unless doing so would result in an undue burden. The term "undue burden" is defined at § 1194.4 (Definitions) and is discussed in the preamble under that section.

Paragraph (a)(1) states the statutory obligation of a Federal agency to make information and data available by an alternative means when complying with the standards would result in an undue burden. For example, a Federal agency wishes to purchase a computer program that generates maps denoting regional demographics. If the agency determines that it would constitute an undue burden to purchase an accessible version of such a program, the agency would be required to make the information provided by the program available in an alternative means to users with disabilities. In addition, the requirements to make reasonable accommodations for the needs of an employee with a disability under section 501 and to provide overall program accessibility under section 504 of the Rehabilitation Act also apply.

*Comment.* The National Federation of the Blind (NFB) suggested that additional language be added that would require agencies to provide information by an alternative means at the same time the information and data are made available to others.

*Response.* This paragraph restates the general statutory requirement to provide an alternative means of providing an individual the use of the information and data. Providing individuals with information and data by an alternative means necessarily requires flexibility and will generally be dealt with on a case-by-case approach. Although, the Board agrees that information provided by an alternative means should be provided at generally the same time as the information is made available to others, the provision provides the needed flexibility to ensure that agencies can make case-by-case decisions. No substantive changes were made in the final rule.

Paragraph (a)(2) sets forth the statutory requirement for an agency to document any claim of undue burden in a procurement. Such documentation must explain in detail which provision or provisions of this rule impose an undue burden and the extent of such a burden. The agency should discuss each of the factors considered in its undue burden analysis.

*Comment.* The General Services Administration was concerned that this provision was too limiting because it only referred to products which are procured by the Federal Government and did not include products which are developed, maintained, or used. The

American Council of the Blind (ACB) recommended that the requirement for documentation apply when agencies claim the lack of commercially available accessible equipment or software. The NFB commented that there should be a requirement for agencies to explain the specific alternate means to be used to provide information or data. Without such a requirement, they argued, persons with disabilities must be knowledgeable enough to inquire about an alternate means after first discovering that the product used for the information and data is not accessible. Although agencies would be expected to know in advance when products will not be accessible, persons with disabilities will not have this information until encountering the problem.

*Response.* Paragraph (a)(2) addresses the documentation of undue burden. By statute, the requirement to document an undue burden applies only to procurements. This rule does not prescribe the needed documentation of a finding of an undue burden but merely restates the statutory requirement that a finding be documented. The FAR is expected to address the needed documentation. No substantive changes have been made in the final rule.

Paragraph (b) states that procurement of products complying with this part is subject to commercial availability. The concept of commercial availability is based on existing provisions in the FAR (see 48 CFR 2.101, Definitions of Words and Terms: Commercial item).

The proposed rule provided that the standards applied to products which were available in the commercial marketplace; would be available in time to meet an agency's delivery requirements through advances in technology or performance; or were developed in response to a Government solicitation. As noted in the preamble, this language was derived from the definition for "commercial item" in the FAR cited above. The preamble to the proposed rule stated that the determination of commercial availability is to be applied on a provision by provision basis.

*Comment.* A number of commenters sought further clarification of this provision. Several commenters from the information technology industry and some Federal agencies were concerned that the concept of what is commercially available was more appropriately within the jurisdiction of the Federal Acquisition Regulatory Council. The American Foundation for the Blind (AFB) and the ACB wanted agencies to document their determination that a product was not

commercially available similar to what is required under undue burden. The ITAA commented that commercial availability should not be applied on a provision by provision basis.

*Response.* The Board agrees that the FAR is the appropriate venue for addressing commercial availability. The Board believes that the concept of commercial availability is captured in the FAR definition of "commercial item".

With respect to documentation, Federal agencies may choose to document a determination that a product is not available in the commercial marketplace in anticipation of a subsequent inquiry. However, such documentation is not required by section 508.

Similar to an undue burden analysis, agencies cannot claim that a product as a whole is not commercially available because no product in the marketplace meets all the standards. If products are commercially available that meet some but not all of the standards, the agency must procure the product that best meets the standards. The final rule has been modified to clarify this application.

Paragraph (c) applies this rule to electronic and information technology developed, procured, maintained, or used by an agency directly or used by a contractor pursuant to a contract with an agency.

*Comment.* The ITAA commented that this provision conflicts with section 508. For example, they commented that if a contract required a vendor to purchase and maintain a specific computer system for the purpose of gathering and relaying certain data to an agency, the standards would apply to such a computer system even if the system would be used only by vendor employees. In addition, ITAA commented that this is not a technical and functional performance criterion, and should be addressed by the FAR.

*Response.* Consistent with section 5002(3)(C) of the Clinger-Cohen Act of 1996 (40 U.S.C. 1452) and as further discussed in section 1194.3(b) below, products used by a contractor which are incidental to a contract are not covered by this rule. For example, a Federal agency enters into a contract to have a web site developed for the agency. The contractor uses its own office system to develop the web site. The web site is required to comply with this rule since the web site is the purpose of the contract, however, the contractor's office system does not have to comply with these standards, since the equipment used to produce the web site is incidental to the contract. See section

1194.3(b) below. No changes were made to this provision in the final rule.

### Section 1194.3 General Exceptions

This section provides general exceptions from the standards. Paragraph (a) provides an exception for telecommunications or information systems operated by agencies, the function, operation, or use of which involves intelligence activities, cryptologic activities related to national security, command and control of military forces, equipment that is an integral part of a weapon or weapons system, or systems which are critical to the direct fulfillment of military or intelligence missions. This exception is statutory under section 508 and is consistent with a similar exception in section 5142 of the Clinger-Cohen Act of 1996. This exception does not apply to a system that is to be used for routine administrative and business applications (including payroll, finance, logistics, and personnel management applications). For example, software used for payroll, word processing software used for production of routine documents, ordinary telephones, copiers, fax machines, and web applications must still comply with the standards even if they are developed, procured, maintained, or used by an agency engaged in intelligence or military activities. The Board understands that the Department of Defense interprets this to mean that a computer designed to provide early missile launch detection would not be subject to these standards, nor would administrative or business systems that must be architecturally tightly coupled with a mission critical, national security system, to ensure interoperability and mission accomplishment. No substantive comments were received and no changes have been made to this section in the final rule.

Paragraph (b) provides an exception for electronic and information technology that is acquired by a contractor incidental to a Federal contract. That is, the products a contractor develops, procures, maintains, or uses which are not specified as part of a contract with a Federal agency are not required to comply with this part. For example, a consulting firm that enters into a contract with a Federal agency to produce a report is not required to procure accessible computers and word processing software to produce the report regardless of whether those products were used exclusively for the government contract or used on both government and non-government related activities since the purpose of

the contract was to procure a report. Similarly, if a firm is contracted to develop a web site for a Federal agency, the web site created must be fully compliant with this part, but the firm's own web site would not be covered. No substantive comments were received and no changes have been made to this section in the final rule.

Paragraph (c) clarifies that, except as required to comply with these standards, this part does not require the installation of specific accessibility-related software or the attachment of an assistive technology device at a workstation of a Federal employee who is not an individual with a disability. Specific accessibility related software means software which has the sole function of increasing accessibility for persons with disabilities to other software programs (e.g., screen magnification software). The purpose of section 508 and these standards is to build as much accessibility as is reasonably possible into general products developed, procured, maintained, or used by agencies. It is not expected that every computer will be equipped with a refreshable Braille display, or that every software program will have a built-in screen reader. Such assistive technology may be required as part of a reasonable accommodation for an employee with a disability or to provide program accessibility. To the extent that such technology is necessary, products covered by this part must not interfere with the operation of the assistive technology. No substantive comments were received and no changes have been made to this section in the final rule.

Paragraph (d) specifies that when agencies provide access to information or data to the public through electronic and information technology, agencies are not required to make equipment owned by the agency available for access and use by individuals with disabilities at a location other than that where the electronic and information technology is provided to the public, or to purchase equipment for access and use by individuals with disabilities at a location other than that where the electronic and information technology is provided to the public. For example, if an agency provides an information kiosk in a Post Office, a means to access the kiosk information for a person with a disability need not be provided in any location other than at the kiosk itself.

*Comment.* The ACB commented that where a location is not accessible, an agency must provide the information in a location that is accessible to people with disabilities.

*Response.* This paragraph restates the general statutory requirement that when agencies provide access to information or data to the public through electronic and information technology, the agencies are not required to make equipment owned by the agency available for access and use by individuals with disabilities at a location other than that where the electronic and information technology is provided to the public, or to purchase equipment for access and use by individuals with disabilities at a location other than that where the electronic and information technology is provided to the public. The accessibility of the location would be addressed under section 504 of the Rehabilitation Act or other Federal laws. No substantive changes were made in the final rule.

Paragraph (e) states that compliance with this part does not require a fundamental alteration in the nature of a product or service or its components.

*Comment.* The AFB commented that fundamental alteration is not an appropriate factor to include in this rule since the statute provides undue burden as the proper protection and allowing a fundamental alteration exemption weakens the intent of the statute and its high expectations of government. If the concept of fundamental alteration is maintained, AFB recommended that it be part of an explanation of undue burden. The Department of Commerce agreed that the inclusion of a fundamental alteration exception would negate the purpose of section 508. The Trace Research and Development Center said that the term should be defined.

The Information Technology Industry Council (ITIC) commented that the Board should expand the concept of fundamental alteration by stating that an agency should not be required to fundamentally alter the nature of a program or service that the agency offers.

*Response.* Fundamental alteration is an appropriate exception for inclusion in the standards. It means a change in the fundamental characteristic or purpose of the product or service, not merely a cosmetic or aesthetic change. For example, an agency intends to procure pocket-sized pagers for field agents for a law enforcement agency. Adding a large display to a small pager may fundamentally alter the device by significantly changing its size to such an extent that it no longer meets the purpose for which it was intended, that is to provide a communication device which fits in a shirt or jacket pocket. For some of these agents, portability of electronic equipment is a paramount

concern. Generally, adding access should not change the basic purpose or characteristics of a product in a fundamental way.

*Comment.* The ITAA commented that telecommunications equipment switches, servers, and other similar "back office" equipment which are used for equipment maintenance and administration functions should be exempt from the standards. For example, in the case of telecommunications equipment, technicians might need to configure service databases, remove equipment panels to replace components, or run tests to verify functionality. ITAA commented that section 508 should not apply to these types of products since applying requirements to such products would have serious design and cost ramifications.

*Response.* The Board agrees and has provided an exception that products located in spaces frequented only by service personnel for maintenance, repair, or occasional monitoring of equipment are not required to comply with this part. This exception is consistent with a similar exception in the Board's guidelines under the Americans with Disabilities Act (ADA) (§ 4.1.1(5)(b) 36 CFR part 1191) and the Architectural Barriers Act (§ 4.1.2(5) exception, Uniform Federal Accessibility Standards Appendix A to 41 CFR part 101-19.6).

#### Section 1194.4 Definitions

*Accessible.* The term accessible was defined in the proposed rule in terms of compliance with the standards in this part, as is common with other accessibility standards. As proposed, if a product complies with the standards in this part, it is "accessible"; if it does not comply, it is not accessible.

*Comment.* The Trace Research and Development Center (Trace Center) and the General Services Administration commented that the proposed definition of accessible would mean that products can be declared "accessible" if they are merely compatible with assistive technology and that the definition of accessible was being used as a measure of compliance. The Trace Center commented that the problem with this approach is that a product could have few or no accessibility features because it was an undue burden and still be considered accessible.

*Response.* Although the term accessible was used sparingly in the proposed rule, the Board agrees that the definition may be problematic. The term as used in the proposed rule was in fact addressing products which comply with the standards. Products covered by this

part are required to comply with all applicable provisions of this part. Accordingly, the definition has been eliminated in the final rule and the term accessible is not used in the text of the final rule. A product is compliant with the requirements of section 508 of the Rehabilitation Act of 1973 (as amended by the Workforce Investment Act of 1998) by meeting all the applicable provisions of part 1194.

*Agency.* The term agency includes any Federal department or agency, including the United States Postal Service. No substantive comments were received regarding this definition and no changes have been made in the final rule.

*Alternate formats.* Certain product information is required to be made available in alternate formats to be usable by individuals with various disabilities. Consistent with the Board's Telecommunications Act Accessibility Guidelines (36 CFR part 1193), the proposed rule defined alternate formats as those formats which are usable by people with disabilities. The proposed definition noted that the formats may include Braille, ASCII text, large print, recorded audio, and accessible internet programming or coding languages, among others. ASCII refers to the American Standard Code for Information Interchange, which is an American National Standards Institute (ANSI) standard defining how computers read and write commonly used letters, numbers, punctuation marks, and other codes.

*Comment.* One commenter was concerned that the term "accessible internet programming or coding languages" used in the description of acceptable alternate formats was somewhat ambiguous and recommended using the term "accessible internet formats".

*Response.* The Board agrees that the term "accessible internet programming or coding languages" may be vague. In addition, as noted above, the final rule will not include the term "accessible". The definition for alternate formats has been modified to refer to "electronic formats which comply with this part". This change will permit, for instance, alternate formats to include a computer file (either on the internet or saved on a computer disk) that can be viewed by a browser and which complies with the standards for web pages. No other changes have been made to the definition in the final rule.

*Alternate methods.* The proposed rule used the term "alternate modes" which was defined as different means of providing information to users of products, including product

documentation, such as voice, fax, relay service, TTY, internet posting, captioning, text-to-speech synthesis, and audio description.

*Comment.* One commenter suggested that "alternate methods" would be a better term to describe the different means of providing information. The commenter was concerned that the term alternate modes would be confused with alternate modes of operation of the product itself which does not necessarily refer to how the information is provided.

*Response.* The Board agrees that the term alternate methods is a more descriptive and less confusing term than the term alternate modes. Other than the change in terminology from alternate modes to alternate methods, no other changes have been made to the definition in the final rule.

*Assistive technology.* Assistive technology is defined as any item, piece of equipment, or system, whether acquired commercially, modified, or customized, that is commonly used to increase, maintain, or improve functional capabilities of individuals with disabilities. The definition was derived from the definition of assistive technology in the Assistive Technology Act of 1998 (29 U.S.C. 3002). The preamble to the proposed rule noted that assistive technology may include screen readers which allow persons who cannot see a visual display to either hear screen content or read the content in Braille, specialized one-handed keyboards which allow an individual to operate a computer with only one hand, and specialized audio amplifiers that allow persons with limited hearing to receive an enhanced audio signal. No substantive comments were received regarding this definition and no changes have been made in the final rule.

*Electronic and information technology.* This is the statutory term for the products covered by the standards in this part. The statute explicitly required the Board to define this term, and required the definition to be consistent with the definition of information technology in the Clinger-Cohen Act of 1996. The Board's proposed definition of information technology was identical to that in the Clinger-Cohen Act. Electronic and information technology was defined in the proposed rule to include information technology, as well as any equipment or interconnected system or subsystem of equipment, that is used in the creation, conversion, or duplication of data or information.

Information technology includes computers, ancillary equipment, software, firmware and similar

procedures, services (including support services), and related resources. Electronic and information technology includes information technology products like those listed above as well as telecommunications products (such as telephones), information kiosks and transaction machines, World Wide Web sites, multimedia, and office equipment such as copiers, and fax machines.

Consistent with the FAR,<sup>4</sup> the Board proposed that electronic and information technology not include any equipment that contains embedded information technology that is used as an integral part of the product, but the principal function of which is not the acquisition, storage, manipulation, management, movement, control, display, switching, interchange, transmission, or reception of data or information. For example, HVAC (heating, ventilation, and air conditioning) equipment such as thermostats or temperature control devices, and medical equipment where information technology is integral to its operation, are not information technology.

*Comment.* Several commenters recommended that the exception for HVAC control devices and medical equipment be revised in the final rule. The commenters were concerned that the exception was too broad in that it exempted equipment such as medical diagnostic equipment that they felt should be covered by the rule. In addition, the National Association of the Deaf (NAD) requested that public address systems, alarm systems, and two-way communications systems such as intercoms be expressly included as electronic and information technology.

*Response.* The exemption is consistent with existing definitions for information technology in the FAR. Public address systems, alarm systems, and two-way communications systems are already addressed by the Americans with Disabilities Act Accessibility Guidelines and will be addressed in more detail in the Board's guidelines under the Architectural Barriers Act which apply to Federal facilities. No changes have been made to the definition in the final rule.

*Information technology.* The definition of information technology is identical to that in the Clinger-Cohen Act, that is, any equipment or interconnected system or subsystem of equipment, that is used in the automatic acquisition, storage, manipulation, management, movement, control, display, switching, interchange,

transmission, or reception of data or information. Information technology includes computers, ancillary equipment, software, firmware and similar procedures, services (including support services), and related resources. No substantive comments were received regarding this definition and no changes have been made in the final rule.

*Operable controls.* The proposed rule defined operable controls as those components of a product that require physical contact for normal operation of the device. Examples of operable controls were provided, including on/off switches, buttons, dials and knobs, mice, keypads and other input devices, copier paper trays (both for inserting paper to be copied and retrieving finished copies), coin and card slots, card readers, and similar components. The proposed rule also clarified that operable controls do not include voice-operated controls.

*Comment.* One commenter was concerned that the term paper trays was confusing and interpreted it to mean the large trays on a copier which are loaded with reams of paper for copying. The commenter suggested that the term input and output trays be used instead.

*Response.* The Board agrees that input and output trays are more descriptive. The final rule reflects this change which is intended to apply to products in their normal operation rather than when the product may be used for maintenance, repair, or occasional monitoring. For example, a user should be able to add paper to a desktop laser printer. No other changes have been made to this definition.

*Product.* The term product is used in the rule as a shorthand for electronic and information technology. No substantive comments were received regarding this definition and no changes have been made in the final rule.

*Self contained, closed products.* This term was not used in the proposed rule and is provided in the final rule as a result of the reorganization of the standards. Self contained, closed products, are those that generally have embedded software and are commonly designed in such a fashion that a user cannot easily attach or install assistive technology. These products include, but are not limited to, information kiosks and information transaction machines, copiers, printers, calculators, fax machines, and other similar types of products.

*Telecommunications.* The definition for telecommunications is consistent with the definition in the Board's Telecommunications Act Accessibility Guidelines and the definition of telecommunications in the

Telecommunications Act. No substantive comments were received regarding this definition and no changes have been made in the final rule.

*TTY.* TTYS are machinery or equipment that employ interactive text based communications through the transmission of coded signals across the telephone network.

*Comment.* The Trace Center recommended adding the word "baudot" to the definition of TTY to clarify that the term is not meant to be broader than baudot TTYS. The NAD and other consumer groups, however, supported the Board's definition and encouraged the Board to use the same definition consistently.

*Response.* The definition for the term TTY is consistent with the definition of TTY in the Board's ADA Accessibility Guidelines and Telecommunications Act Accessibility Guidelines. No changes have been made to the definition in the final rule.

*Undue burden.* The final rule defines the term undue burden as "significant difficulty or expense." In determining what is a significant difficulty or expense, each agency must consider the resources available to the program or component for which the product is being developed, maintained, used or procured. The proposed rule defined undue burden as an action that would result in significant difficulty or expense considering all agency resources available to the agency or component. The Board sought comment in the NPRM on two additional factors (identified as factor (2) and factor (3) in the preamble) for agencies to consider in assessing a determination of an undue burden. Factor (2) addressed the compatibility of an accessible product with the agency's or component's infrastructure, including security, and the difficulty of integrating the accessible product. Factor (3) concerned the functionality needed from the product and the technical difficulty involved in making the product accessible.

*Comment.* The ITAA, ITIC and the Oracle Corporation opposed the inclusion of a definition for undue burden in the final rule. Both the ITAA and the ITIC commented that defining undue burden was beyond the Board's authority. Oracle suggested that the concept of undue burden under section 508 was beyond the Board's expertise in that it was a procurement matter. The commenters were also concerned that the Board's definition was too narrow. Alternatively, if the Board was to adopt a definition for undue burden, the ITAA favored adoption of the factors associated with undue burden and

<sup>4</sup> 48 CFR Chapter 1, part 2, § 2.101 Definitions Information Technology (c).

undue hardship in the ADA and section 504 of the Rehabilitation Act. In particular, the ITAA recommended adoption of the "nature and cost" of the accommodation as a factor for consideration. ITIC favored adoption of the employment factors in title I of the ADA if the Board were to include a definition of undue burden. Both the ITAA and the ITIC also favored the adoption of factors (2) and (3) identified in the NPRM if undue burden was to be addressed in the final rule.

The remainder and majority of the commenters did not address the issue of whether the Board should adopt a definition of undue burden, but rather how to define it. At least two Federal agencies and 10 organizations representing persons with disabilities opposed the inclusion of factors (2) and (3) suggested in the NPRM. The Department of Commerce and a majority of advocacy organizations representing people with disabilities opposed factors (2) and (3) on the grounds that the factors would create a loophole for agencies to avoid compliance with section 508. The Department of Veterans Affairs opposed factor (3) as it considered that factor to be more about job assignment than undue burden. Several commenters including Sun Microsystems and Adobe Systems favored adopting factors (2) and (3) in the definition of undue burden. The Social Security Administration (SSA) and the Department of Health and Human Services, Administration for Children and Families, sought guidance as to the amount of increased cost of a product that would not constitute undue burden regardless of an agency's overall budget. Citing the example of a product that would cost 25 percent more to comply with the standards, the SSA questioned whether that would be undue or would 10 percent or 50 percent be considered undue. The General Services Administration recommended basing the financial resources available to an agency on a program basis.

*Response.* The term undue burden is based on caselaw interpreting section 504 of the Rehabilitation Act (*Southeastern Community College v. Davis*, 442 U.S. 397 (1979)), and has been included in agency regulations issued under section 504 since the *Davis* case. See, e.g., 28 CFR 39.150. The term undue burden is also used in Title III of the ADA, 42 U.S.C. 12182(b)(2)(A)(iii). The legislative history of the ADA states that the term undue burden is derived from section 504 and the regulations thereunder, and is analogous to the term "undue hardship" in Title I of the ADA, which Congress defined as "an action

requiring significant difficulty or expense." 42 U.S.C. 12111(10)(A). See, H. Rept. 101-485, pt. 2, at 106. In the NPRM, the Board proposed adoption of "significant difficulty or expense" as the definition for undue burden. No changes were made to that aspect of the definition in the final rule.

Title I of the ADA lists factors to be considered in determining whether a particular action would result in an undue hardship. 42 U.S.C. 12111(10)(B)(i)-(iv). However, since title I of the ADA addresses employment and the individual accommodation of employees, not all of the factors are directly applicable to section 508 except for the financial resources of the covered facility or entity which is necessary to a determination of "significant difficulty or expense." Unlike title I, section 508 requires that agencies must procure accessible electronic and information technology regardless of whether they have employees with disabilities. Requiring agencies to purchase accessible products at the outset eliminates the need for expensive retrofitting of an existing product when requested by an employee or member of the public as a reasonable accommodation at a later time.

In determining whether a particular action is an undue burden under section 508, the proposed rule provided that the resources "available" to an "agency or component" for which the product is being developed, procured, maintained, or used is an appropriate factor to consider. The language was derived from the section 504 federally conducted regulations. Those regulations limited the consideration of resources to those resources available to a "program". The preamble to the proposed rule noted that an agency's entire budget may not be available for purposes of complying with section 508. Many parts of agency budgets are authorized for specific purposes and are thus not available to other programs or components within the agency. The definition of undue burden has been clarified in the final rule to more clearly reflect this limitation. The provision now states that "agency resources available to a program or component" are to be considered in determining whether an action is an undue burden. Because available financial resources vary greatly from one agency to another, what constitutes an undue burden for a smaller agency may not be an undue burden for another, larger agency having more resources to commit to a particular procurement. Each procurement would necessarily be determined on a case-by-case basis. Because a determination of

whether an action would constitute an undue burden is made on a case-by-case basis, it would be inappropriate for the Board to assess a set percentage for the increased cost of a product that would be considered an undue burden in every case.

The Board has not included factors (2) and (3) in the text of the final rule. While the Board acknowledges that these may be appropriate factors for consideration by an agency in determining whether an action is an undue burden, factors (2) and (3) were not based on established caselaw or existing regulations under section 504. Further, the Board recognizes that undue burden is determined on a case-by-case basis and that factors (2) and (3) may not apply in every determination. Agencies are not required to consider these factors and may consider other appropriate factors in their undue burden analyses.

*Comment.* Adobe Systems questioned whether a product which does not meet a provision based on a finding of undue burden, has to comply with the remaining provisions.

*Response.* The undue burden analysis is applied on a provision by provision basis. A separate undue burden analysis must be conducted and, in the case of procurements, be documented for each applicable provision.

#### *Section 1194.5 Equivalent Facilitation*

This section allows the use of designs or technologies as alternatives to those prescribed in this part provided that they result in substantially equivalent or greater access to and use of a product for people with disabilities. This provision is not a "waiver" or "variance" from the requirement to provide accessibility, but a recognition that future technologies may be developed, or existing technologies could be used in a particular way, that could provide the same functional access in ways not envisioned by these standards. In evaluating whether a technology results in "substantially equivalent or greater access," it is the functional outcome, not the form, which is important. For example, an information kiosk which is not accessible to a person who is blind might be made accessible by having a telephone handset that connects to a computer that responds to touch-tone commands and delivers the same information audibly. In addition, voice recognition and activation are progressing rapidly so that voice input soon may become a reasonable substitute for some or all keyboard input functions. For example, already some telephones can be dialed by voice. In effect, compliance with the performance



criteria of § 1194.31 is the test for equivalent facilitation.

*Comment.* Commenters supported the Board in its recognition that accessibility may sometimes be attained through products that do not strictly comply with design standards. Several commenters supported this concept because they believed that it will result in the development of better access solutions for individuals with disabilities.

*Response.* No changes have been made to this provision in the final rule.

#### **Subpart B—Technical Standards (Formerly Subpart B—Accessibility Standards in the NPRM)**

*Comment.* Subpart B of the proposed rule contained four sections: § 1194.21 (General Requirements); § 1194.23 (Component Specific Standards); § 1194.25 Standards for Compatibility; and § 1194.27 (Functional Performance Criteria). The Board sought comment in the proposed rule on the organization of Subpart B in general and § 1194.21 (General Requirements), § 1194.23 (Component Specific Requirements) and § 1194.25 (Requirements for Compatibility) in particular. A number of commenters found the application of the proposed rule to be confusing due to the manner in which the rule was organized. Commenters questioned whether a specific product need only comply with the provisions under a specific heading in § 1194.23 (Component Specific Requirements) or whether they must also look to the provisions in § 1194.21 (General Requirements), as well as § 1194.25 (Compatibility). Commenters further questioned whether multiple provisions within a specific section would apply. For example, making electronic forms accessible was addressed under § 1194.23(b) (Non-embedded software applications and operating systems). Provisions for web sites were addressed separately in § 1194.23(c) (Web-based information or applications). Since electronic forms are becoming very popular on web sites, the commenters questioned whether the provisions for electronic forms under the software section should also be applied to web sites even though the section on web sites did not specifically address electronic forms. Another commenter pointed out that some provisions under § 1194.21 (General Requirements) actually addressed specific components such as touch screens, which were addressed under General Requirements in the proposed rule. Finally, other commenters noted that several provisions under § 1194.23 (Component Specific Requirements) were really

compatibility concerns, such as § 1194.23(b) (Non-embedded software).

*Response.* A product must comply with the provisions under each applicable section in Subpart B. For example, a telecommunications product that has computer, software and operating systems, a keyboard, and web browser will have to comply with each of the relevant sections in Subpart B. The Board has reorganized Subpart B in the final rule as follows:

The title of Subpart B has been changed from “Accessibility Standards” to “Technical Standards”.

Subpart B has been reorganized so that each section addresses specific products. For example, § 1194.21 addresses software applications, § 1194.22 addresses web-based intranet and internet information and applications, and so on. Each technical provision that applies to a product is located under that product heading. As a result, there is some redundancy in this section. However, the Board believes that this format will help clarify the application of the standards for each type of product. For example, the provision prohibiting the use of color alone to indicate an action applies not only to web page design, but also to software design and certain operating systems. In the final rule, it is addressed in § 1194.21(i) (Software applications and operating systems), § 1194.22(c) (Web-based intranet and internet information and applications), as well as § 1194.25(g) (Self contained, closed products).

The provisions contained in § 1194.21 (General Requirements), § 1194.23 (Component Specific Requirements) and § 1194.25 (Requirements for Compatibility with Assistive Technology) of the proposed rule have been moved to the new subpart B (Technical Standards) in the final rule.

Also, the provisions in the proposed rule under § 1194.27 (Functional Performance Criteria) have been redesignated as Subpart C (Functional Performance Criteria) in the final rule. Subpart C provides functional performance criteria for overall product evaluation and for technologies or components for which there is no specific provision in subpart B. The substance of each of the provisions in the final rule are discussed below.

#### *Section 1194.21 Software Applications and Operating Systems*

Paragraphs (a) through (l) address provisions for software applications and operating systems. Electronic and information technology products operate by following programming instructions referred to as software.

Software refers to a set of logical steps (or programming instructions) that control the actions or operations of most forms of electronic and information technology products. For instance, when a pager receives a radio signal, the software embedded inside the pager determines whether the signal is a “page” and how it should display the information it receives. The circuitry inside the pager, including the display unit, merely follows the instructions encoded in the software. Software can be divided into two broad categories: Software that is embedded in a chip mounted in a product and non-embedded software that is loaded onto a storage device such as a hard disk and can be erased, replaced, or updated. For instance, a word processing program that is installed onto a computer’s hard drive and which may be easily erased, replaced, or updated is typically “non-embedded” software. By contrast, the set of instructions installed on a chip inside a pager and which cannot be erased, replaced, or updated is typically embedded software. The proposed rule included provisions for non-embedded software. However, as pointed out by commenters, as technology changes, the distinction between embedded software and non-embedded software is increasingly becoming less clear. These provisions apply to all software products.

Paragraph (a) requires that when software is designed to run on a system that has a keyboard, the software shall provide a way to control features which are identifiable by text, from the keyboard. For example, if a computer program included a “print” command or a “save” command (both can be readily discerned textually), the program must provide a means of invoking these commands from the keyboard. For people who cannot accurately control a mouse, having access to the software’s controls through keyboard alternatives is essential. For example, rather than pointing to a particular selection on the screen, a user may move through the choices in a dialogue box by pressing the tab key. (See § 1194.23(a)(4) and § 1194.23(b)(1) in the NPRM.)

*Comment.* The NPRM required that products must provide logical navigation among interface elements through the use of keystrokes. Commenters questioned the meaning of “logical” and whether the provisions, as proposed, were requiring that each system have a keyboard. Commenters were concerned that requiring that all features of every software program be accessible from a keyboard was not feasible because some programs that

allow an individual to draw lines and create designs using a mouse could not be replicated with keystrokes.

*Response.* This provision applies to products which are intended to be run on a system with a keyboard. It does not require that a keyboard be added. The term "logical navigation" has been deleted. Only those actions which can be discerned textually are required to be executable from a keyboard. For example, most of the menu functions in common drawing programs that allow a user to open, save, size, rotate, and perform other actions on a graphic image can all be performed from the keyboard. However, providing keyboard alternatives for creating an image by selecting a paintbrush, picking a color, and actually drawing a design would be extremely difficult. Such detailed procedures require the fine level of control afforded by a pointing device (e.g., a mouse) and thus cannot be discerned textually without a lengthy description. Accordingly, in the final rule, keyboard alternatives are required when the function (e.g., rotate figure) or the result of performing a function (e.g., save file confirmation) can be represented with words.

Paragraph (b) prohibits applications from disrupting or disabling activated features of other products that are identified as accessibility features, where those features are developed and documented according to industry standards. Applications also shall not disrupt or disable activated features of any operating system that are identified as accessibility features where the application programming interface for those accessibility features has been documented by the manufacturer of the operating system and is available to the product developer. The application programming interface refers to a standard way for programs to communicate with each other, including the operating system, and with input and output devices. For instance, the application programming interface affects how programs have to display information on a monitor or receive keyboard input via the operating system.

Many commercially available software applications and operating systems have features built-into the program that are labeled as access features. These features can typically be turned on or off by a user. Examples of these features may include, reversing the color scheme (to assist people with low vision), showing a visual prompt when an error tone is sounded (to assist persons who are deaf or hard of hearing), or providing "sticky keys" that allow a user to press key combinations

(such as control-C) sequentially rather than simultaneously (to assist persons with dexterity disabilities). This provision prohibits software programs from disabling these features when selected. (See § 1194.23(b)(2) in the NPRM.)

*Comment.* The proposed rule only specified that software not interfere with features that affect the usability for persons with disabilities. Commenters from industry noted that the provision in the NPRM did not provide any method of identifying what features are considered access features and further stated that this provision was not achievable. These commenters pointed out that it was impossible for a software producer to be aware of all of the features in all software packages that could be considered an access feature by persons with disabilities. Sun Microsystems recommended that this provision address access features that have been developed using standard programming techniques and that have been documented by the manufacturer.

*Response.* This provision has been modified in the final rule to reference access features which have been developed and documented according to industry standards. No other changes have been made in the final rule.

Paragraph (c) requires that software applications place on the screen a visual indication of where some action may occur if a mouse click or keystroke takes place. This point on a screen indicating where an action will take place is commonly referred to as the "focus". This provision also requires that the focus be readable by other software programs such as screen readers used by computer users who are blind. (See § 1194.23(b)(3) in the NPRM.) No substantive comments were received and no changes have been made to this section in the final rule.

Paragraph (d) requires that software programs, through the use of program code, make information about the program's controls readable by assistive technology. Simply stated, this paragraph requires that information that can be delivered to or received from the user must be made available to assistive technology, such as screen reading software. Examples of controls would include button checkboxes, menus, and toolbars. For assistive technology to operate efficiently, it must have access to the information about a program's controls to be able to inform the user of the existence, location, and status of all controls. If an image is used to represent a program function, the information conveyed by the image must also be available in text. (See § 1194.23(b)(4) and § 1194.23(b)(5) in the NPRM.) No

substantive comments were received and no changes have been made to this section, other than editorial changes.

Paragraph (e) requires that when bitmap images are used by a program to identify programmatic features, such as controls, the meaning of that image shall not change during the operation of a program. "Bitmap images" refer to a type of computer image commonly used in "icons" (e.g., a small picture of a printer to activate the print command). Most screen reading programs allow users to assign text names to bitmap images. If the bitmap image changes meaning during a program's execution, the assigned identifier is no longer valid and is confusing to the user. (See § 1194.23(b)(6) in the NPRM.)

*Comment.* As proposed, this provision did not identify which images had to remain consistent during the application. The AFB commented that the provision should be modified to indicate the type of image that needs to hold a consistent meaning during the running of an application. AFB noted that this provision should apply only to those bitmaps that represent a program function, and not to all images.

*Response.* The final rule applies the provision to those images which are used to identify controls, status indicators, or other programmatic elements. No other changes have been made to this section in the final rule.

Paragraph (f) provides that software programs use the functions provided by an operating system when displaying text. The operating system is the "core" computer software that controls basic functions, such as receiving information from the keyboard, displaying information on the computer screen, and storing data on the hard disk. Other software programs use the standard protocols dictated by the operating system for displaying their own information or processing the output of other computer programs. When programs are written using unique schemes for writing text on the screen or use graphics, other programs such as software for assistive technology may not be able to interpret the information. This provision does not prohibit or limit an application programmer from developing unique display techniques. It requires that when a unique method is used, the text be consistently written throughout the operating system. (See § 1194.23(b)(7) in the NPRM.)

*Comment.* The proposed rule did not specify that software programs must use the functions provided by an operating system when displaying text. The NPRM required that the text would be provided through an application programming interface that supported

interaction with assistive technology or that it would use system text writing tools. Commenters raised several concerns regarding this provision. Some commenters were concerned that without a recognized interface standard, there was no assurance that assistive technology would be able to access the text provided by an application. Software producers felt that the provision should not unduly restrict how programs create or display text. Baum Electronics and GW Micro pointed out that the only way to ensure that both assistive technology and applications are using a common interface, was to use the text displaying functions of the operating system.

*Response.* The Board agrees that using operating system functions is one approach that would be available to all programmers. The final rule has been modified to require that textual information be provided through the operating system functions so that it will be compatible with assistive technology. This provision does not restrict programmers from developing unique methods of displaying text on a screen. It requires that when those methods are used, the software also sends the information through the operating systems functions for displaying text.

Paragraph (g) prohibits applications from overriding user selected contrast and color selections and other individual display attributes. As described above, the operating system provides the basic functions for receiving, displaying, transmitting, or receiving information in a computer or similar product. Thus, the operating system would appear the logical choice for "system-wide" settings that would be respected by all computer programs on a computer. Many modern operating systems incorporate the ability to make settings system-wide as an accessibility feature. This permits, for instance, users to display all text in very large characters. Often, persons with disabilities prefer to select color, contrast, keyboard repeat rate, and keyboard sensitivity settings provided by an operating system. When an application disables these system-wide settings, accessibility is reduced. This provision allows the user to select personalized settings which cannot be disabled by software programs. (See § 1194.23(b)(9) in the NPRM.) No substantive comments were received and no changes have been made to this section in the final rule.

Paragraph (h) addresses animated text or objects. The use of animation on a screen can pose serious access problems for users of screen readers or other

assistive technology applications. When important elements such as push-buttons or relevant text are animated, the user of assistive technology cannot access the application. This provision requires that in addition to the animation, an application provide the elements in a non-animated form. (See § 1194.23(b)(11) in the NPRM.) No substantive comments were received and no changes have been made to this section in the final rule.

Paragraph (i) prohibits the use of color as the single method for indicating important information. For instance, a computer program that requires a user to distinguish between otherwise identical red and blue squares for different functions (*e.g.*, printing a document versus saving a file) would not comply with this provision. Relying on color as the only method for identifying screen elements or controls poses problems, not only for people with limited or no vision, but also for those people who are color blind. This provision does not prohibit the use of color to enhance identification of important features. It does, however, require that some other method of identification, such as text labels, be combined with the use of color. (See § 1194.21(a) in the NPRM.) No substantive comments were received and no changes have been made to this section in the final rule.

Paragraph (j) requires software applications to provide users with a variety of color settings that can be used to set a range of contrast levels. (See § 1194.23(b)(8) in the NPRM.)

*Comment.* The NPRM specified a minimum number of color settings. Some commenters were concerned that the proposed provision was too specific, while others felt it was too general because it failed to measure how different levels of contrast would be produced. Several commenters suggested requiring "a wide variety" of color settings as recommended by the EITAAC. One commenter noted that, as proposed, the provision forbids a monochrome display. Commenters also stated that some systems do not provide users with color selection capabilities.

*Response.* The provision in the final rule is limited to those circumstances where the system allows a user to select colors. This provision requires more than just providing color choices. The available choices must also allow for different levels of contrast. Many people experience a high degree of sensitivity to bright displays. People with this condition cannot focus on a bright screen for long because they will soon be unable to distinguish individual letters. An overly bright background

causes a visual "white-out". To alleviate this problem, the user must be able to select a softer background and appropriate foreground colors. The provision has been revised as a performance standard rather than a specific design standard by removing the requirement for 8 foreground and 8 background color selections.

Paragraph (k) limits the flashing or blinking rate of screen items. (See § 1194.21(c) in the NPRM.)

*Comment.* The Trace Center expressed concern that research supported a limit of 3 Hz, not 2 Hz as described in the NPRM. Trace suggested that the flash or blink rate avoid any flickering between (but not including) 3 Hz and 55 Hz, which is the power frequency for Europe.

*Response.* This provision is necessary because some individuals with photosensitive epilepsy can have a seizure triggered by displays which flicker or flash, particularly if the flash has a high intensity and is within certain frequency ranges. The 2 Hz limit was chosen to be consistent with proposed revisions to the ADA Accessibility Guidelines which, in turn, are being harmonized with the International Code Council (ICC)/ANSI A117 standard, "Accessible and Usable Buildings and Facilities", ICC/ANSI A117.1-1998 which references a 2 Hz limit. The Board agrees that an upper limit is needed, since all electrically powered equipment, even an incandescent light bulb, has a "flicker" due to the alternating current line voltage frequency (60 Hz in the U.S., 55 Hz in Europe). There does not appear to be any significant incidence of photosensitive seizures being induced by the line voltage frequency of ordinary lights. Therefore, the provision has been changed to prohibit flash or blink frequencies between 2 Hz and 55 Hz.

Paragraph (l) requires that people with disabilities have access to electronic forms. This section is a result of the reorganization of the final rule and is identical to section 1194.22(n) discussed below. (See § 1194.23(b)(10) in the NPRM.)

#### *Section 1194.22 Web-based Intranet and Internet Information and Applications*

In the proposed rule, the Board indicated that the EITAAC had recommended that the Board's rule directly reference priority one and two checkpoints of the World Wide Web Consortium's (W3C) Web Accessibility Initiative's (WAI) Web Content Accessibility Guidelines 1.0 (WCAG 1.0). Rather than reference the WCAG 1.0, the proposed rule and this final rule

include provisions which are based generally on priority one checkpoints of the WCAG 1.0, as well as other agency documents on web accessibility and additional recommendations of the EITAAC.

*Comment.* A number of comments were received from the WAI and others expressing concern that the Board was creating an alternative set of standards that would confuse developers as to which standards should be followed. WAI was further concerned that some of the provisions and preamble language in the NPRM were inaccurate. On the other hand, a number of commenters, including the ACB and several members of the EITAAC, supported the manner in which web access issues were addressed in the proposed rule.

*Response.* The final rule does not reference the WCAG 1.0. However, the first nine provisions in § 1194.22, paragraphs (a) through (i), incorporate the exact language recommended by the WAI in its comments to the proposed rule or contain language that is not substantively different than the WCAG 1.0 and was supported in its comments.

Paragraphs (j) and (k) are meant to be consistent with similar provisions in the WCAG 1.0, however, the final rule uses language which is more consistent with enforceable regulatory language. Paragraphs (l), (m), (n), (o), and (p) are different than any comparable provision in the WCAG 1.0 and generally require a higher level of access or prescribe a more specific requirement.

The Board did not adopt or modify four of the WCAG 1.0 priority one checkpoints. These include WCAG 1.0 Checkpoint 4.1 which provides that web pages shall “[c]learly identify changes in the natural language of a document’s text and any text equivalents (e.g., captions).”; WCAG 1.0 Checkpoint 14.1 which provides that web pages shall “[u]se the clearest and simplest language appropriate for a site’s content.”; WCAG 1.0 Checkpoint 1.3 which provides that “[u]ntil user agents can automatically read aloud the text equivalent of a visual track, provide an auditory description of the important information of the visual track of a multimedia presentation.”; and WCAG 1.0 Checkpoint 6.2 which provides that web pages shall “[e]nsure that equivalents for dynamic content are updated when the dynamic content changes.”

Section 1194.23(c)(3) of the proposed rule required that web pages alert a user when there is a change in the natural language of a page. The “natural language” referred to the spoken language (e.g., English or French) of the web page content. The WAI pointed out

that the preamble to the NPRM misinterpreted this provision. The preamble suggested that a statement such as “the following paragraph is in French” would meet the provision. WAI responded by noting that this was not the intent of the provision. The WCAG 1.0 recommend that web page authors embed a code or markup language in a document when the language changes so that speech synthesizers and Braille displays could adjust output accordingly.

The Trace Center advised that only two assistive technology programs could interpret such coding or markup language, Homepage Reader from IBM and PwWebspeak from Isound. These programs contain the browser, screen reading functions, and the speech synthesizer in a single highly integrated program. However, the majority of persons who are blind use a mainstream browser such as Internet Explorer or Netscape Navigator in conjunction with a screen reader. There are also several speech synthesizers in use today, but the majority of those used in the United States do not have the capability of switching to the processing of foreign language phonemes. As a result, the proposed provision that web pages alert a user when there is a change in the natural language of a page has been deleted in the final rule.

The Board also did not adopt WCAG 1.0 Checkpoint 14.1 which provides that web pages shall “[u]se the clearest and simplest language appropriate for a site’s content.” While a worthwhile guideline, this provision was not included because it is difficult to enforce since a requirement to use the simplest language can be very subjective.

The Board did not adopt WCAG 1.0 Checkpoint 1.3 which provides that “[u]ntil user agents can automatically read aloud the text equivalent of a visual track, provide an auditory description of the important information of the visual track of a multimedia presentation.” Although the NPRM did not propose addressing this issue in the web section, there was a similar provision in the multi-media section of the NPRM.

The Board did not adopt WCAG 1.0 Checkpoint 6.2 which provide that web pages shall “[e]nsure that equivalents for dynamic content are updated when the dynamic content changes.” The NPRM had a provision that stated “web pages shall update equivalents for dynamic content whenever the dynamic content changes.” The WAI stated in its comments that there was no difference in meaning between the NPRM and WCAG 1.0 Checkpoint 6.2. The NPRM

provision has been deleted in the final rule as the meaning of the provision is unclear.

A web site required to be accessible by section 508, would be in complete compliance if it met paragraphs (a) through (p) of these standards. It could also comply if it fully met the WCAG 1.0, priority one checkpoints and paragraphs (l), (m), (n), (o), and (p) of these standards. A Federal web site that was in compliance with these standards and that wished to meet all of the WCAG 1.0, priority one checkpoints would also have to address the WAI provision regarding using the clearest and simplest language appropriate for a site’s content (WCAG 1.0 Checkpoint 14.1), the provision regarding alerting a user when there is a change in the natural language of the page (WCAG 1.0 Checkpoint 4.1), the provision regarding audio descriptions (WCAG 1.0 Checkpoint 1.3), and the provision that web pages shall “ensure that equivalents for dynamic content are updated when the dynamic content changes (WCAG 1.0 Checkpoint 6.2).

The Board has as one of its goals to take a leadership role in the development of codes and standards for accessibility. We do this by working with model code organizations and voluntary consensus standards groups that develop and periodically revise codes and standards affecting accessibility. The Board acknowledges that the WAI has been at the forefront in developing international standards for web accessibility and looks forward to working with them in the future on this vitally important area. However, the WCAG 1.0 were not developed within the regulatory enforcement framework. At the time of publication of this rule, the WAI was developing the Web Content Accessibility Guidelines 2.0. The Board plans to work closely with the WAI in the future on aspects regarding verifiability and achievability of the Web Content Accessibility Guidelines 2.0.

Paragraph (a) requires that a text equivalent for every non-text element shall be provided. As the Internet has developed, the use of photographs, images, and other multimedia has increased greatly. Most web pages are created using HTML, or “HyperText Markup Language.” A “page” in HTML is actually a computer file that includes the actual text of the web page and a series of “tags” that control layout, display images (which are actually separate computer files), and essentially provide all content other than text. The tags are merely signals to the browser that tell it how to display information and many tags allow web designers to

include a textual description of the non-textual content arranged by the tag. The provision is necessary because assistive technology cannot describe pictures, but can convey the text information to the user. Currently, most web page authoring programs already provide a method for web designers to associate words with an image and associating text with non-textual content is easy for anyone familiar with HTML. This provision requires that when an image indicates a navigational action such as "move to the next screen" or "go back to the top of the page," the image must be accompanied by actual text that states the purpose of the image, in other words, what the image is telling you to do. This provision also requires that when an image is used to represent page content, the image must have a text description accompanying it that explains the meaning of the image. Associating text with these images makes it possible, for someone who cannot see the screen to understand the content and navigate a web page. (See § 1194.23(c)(1) in the NPRM.)

*Comment.* In the NPRM, § 1194.23(c)(1) required text to be associated with all non-textual elements, and prescribed the use of specific techniques, such as "alt" and "longdesc," to accomplish that requirement. WAI commented that, while the use of specific techniques was provided in WCAG 1.0 as examples of methods to use, the proposed rule was limiting the manner in which text could be associated with non-textual elements to two techniques. The result was that other approaches to providing text tags in web languages other than HTML were prohibited.

Other commenters pointed out that many images on a web page do not need text tags. They noted that some images are used to create formatting features such as spacers or borders and that requiring text identification of these images adds nothing to the comprehension of a page. These images were, in their view, textually irrelevant. One commenter suggested that this provision should address "every non-text element" because such features as buttons, checkboxes, or audio output were covered by other provisions in the proposed rule.

*Response.* This provision incorporates the exact language recommended by the WAI in their comments to the proposed rule. Non-text element does not mean all visible elements. The types of non-text elements requiring identification is limited to those images that provide information required for comprehension of content or to facilitate navigation. Web page authors often utilize

transparent graphics for spacing. Adding text to identify these elements would produce unnecessary clutter for users of screen readers.

The Board also interprets this provision to require that when audio presentations are available on a web page, because audio is a non-textual element, text in the form of captioning must accompany the audio, to allow people who are deaf or hard of hearing to comprehend the content. (See § 1194.23(c)(1) in the NPRM.)

Paragraph (b) provides that equivalent alternatives for any multimedia presentation shall be synchronized with the presentation. This would require, for example, that if an audio portion of a multi-media production was captioned as required in paragraph (a), the captioning must be synchronized with the audio. (See § 1194.23(c)(12) and (e)(3) in the NPRM.)

*Comment.* Comments from organizations representing persons who are deaf or hard of hearing strongly supported this provision. One commenter from the technology industry raised a concern that this provision would require all live speeches broadcast on the Internet by a Federal agency to be captioned. The commenter noted that an alternative might be to provide a transcript of the speech which could be saved, reviewed, and searched.

*Response.* This provision uses language that is not substantively different than the WCAG 1.0 and was supported in the WAI comments to the proposed rule. There are new techniques for providing realtime captioning which are supported by new versions of programs like RealAudio. Providing captioning does not preclude posting a transcript of the speech for people to search or download. However, commenters preferred the realtime captioning over the delay in providing a transcript. No substantive changes have been made to this provision in the final rule.

Paragraph (c) prohibits the use of color as the single method for indicating important information on a web page. When colors are used as the sole method for identifying screen elements or controls, persons who are color blind as well as those people who are blind or have low vision may find the web page unusable. This provision does not prohibit the use of color to enhance identification of important features. It does, however, require that some other method of identification, such as text labels, must be combined with the use of color. (See § 1194.23(c)(2) in the NPRM.)

*Comment.* The WAI expressed concern that as proposed, the provision did not capture the intent of the provision as addressed in the WCAG 1.0. The intent of such a requirement, according to WAI, was to have web page designers use methods other than color to indicate emphasis such as bold text.

*Response.* This provision incorporates the exact language recommended by the WAI in their comments to the proposed rule. This provision addresses not only the problem of using color to indicate emphasized text, but also the use of color to indicate an action. For example, a web page that directs a user to "press the green button to start" should also identify the green button in some other fashion than simply by color.

Paragraph (d) provides that documents must be organized so they are readable without requiring browser support for style sheets. Style sheets are a relatively new technology that lets web site designers make consistent appearing web pages that can be easily updated. For instance, without style sheets, making headings appear in large font while not affecting the surrounding text requires separate tags hidden in the document to control font-size and boldface. Each heading would require a separate set of tags. Using style sheets, however, the web site designer can specify in a single tag that all headings in the document should be in large font and boldface. Because style sheets can be used to easily affect the entire appearance of a page, they are often used to enhance accessibility and this provision does not prohibit the use of style sheets. This provision requires that web pages using style sheets be able to be read accurately by browsers that do not support style sheets and by browsers that have disabled the support for style sheets. (See § 1194.23(c)(4) in the NPRM.) This requirement is based on the fact that style sheets are a relatively new technology and many users with disabilities may either not have computer software that can properly render style sheets or because they may have set their own style sheet for all web pages that they view.

*Comment.* The WAI commented that while the provision was consistent with WCAG 1.0, the preamble inaccurately noted that this provision would prohibit the use of style sheets that interfere with user defined style sheets. The WAI noted that a browser running on a user's system determines whether or not style sheets associated with pages will be downloaded.

*Response.* The WAI correctly noted that this provision does not prohibit the use of style sheets that interfere with user-defined style sheets because the

use of style sheets is controlled by a user's browser. This provision uses language that is not substantively different than WCAG 1.0 and was supported in the WAI comments to the proposed rule. No substantive changes have been made to this provision in the final rule.

Paragraph (e) requires web page designers to include redundant text links for each active region of a server-side image map on their web pages. An "image map" is a picture (often a map) on a web page that provides different "links" to other web pages, depending on where a user clicks on the image. There are two basic types of image maps: "client-side image maps" and "server-side image maps." With client-side image maps, each "active region" in a picture can be assigned its own "link" (called a URL or "uniform resource locator") that specifies what web page to retrieve when a portion of the picture is selected. HTML allows each active region to have its own alternative text, just like a picture can have alternative text. See § 1194.22(a). By contrast, clicking on a location of a server-side image map only specifies the coordinates within the image when the mouse was depressed—which link or URL is ultimately selected must be deciphered by the computer serving the web page. When a web page uses a server-side image map to present the user with a selection of options, browsers cannot indicate to the user the URL that will be followed when a region of the map is activated. Therefore, the redundant text link is necessary to provide access to the page for anyone not able to see or accurately click on the map. (See § 1194.23(c)(6) in the NPRM.) No substantive changes have been made to this provision in the final rule.

Paragraph (f) provides that client-side image maps shall be provided instead of server-side image maps except where the regions cannot be defined with an available geometric shape. As discussed above, there are two general categories of image maps: client-side image maps and server-side image maps. When a web browser retrieves a specific set of instructions from a client-side image map, it also receives all the information about what action will happen when a region of the map is pressed. For this reason, client-side image maps, even though graphical in nature, can display the links related to the map, in a text format which can be read with the use of assistive technology. (See § 1194.23(c)(7) in the NPRM.)

*Comment.* The WAI suggested that the final rule include an exception for those regions of a map which cannot be

defined with an available geometric shape.

*Response.* This provision incorporates the exact language recommended by the WAI in their comments to the proposed rule.

Paragraphs (g) and (h) permit the use of tables, but require that the tables be coded according to the rules for developing tables of the markup language used. When tables are coded inaccurately or table codes are used for non-tabular material, some assistive technology cannot accurately read the content. Many assistive technology applications can interpret the HTML codes for tables and will most likely be updated to read the table coding of new markup languages. (See § 1194.23(c)(8–9) in the NPRM.) The Board will be developing technical assistance materials on how tables can comply with this section. In addition to these specific provisions, the technical assistance materials will address all of the provisions in this part.

*Comment.* Commenters were concerned by the preamble discussion in the NPRM which advised against the use of table tags for formatting of non-tabular material.

*Response.* The Board understands that there are currently few alternatives to the use of tables when trying to place items in predefined positions on web pages. These provisions do not prohibit the use of table codes to format non-tabular content. They require that when a table is created, appropriate coding should be used. Paragraph (g) incorporates the exact language recommended by the WAI in their comments to the proposed rule. Paragraph (h) uses language that is not substantively different than WCAG 1.0 and was supported in the WAI comments to the proposed rule. No substantive changes have been made to this provision in the final rule.

Paragraph (i) addresses the use of frames and requires that they be titled with text to identify the frame and assist in navigating the frames. "Frames" are a technique used by web designers to create different "portions" or "frames" of their screen that serve different functions. When a web site uses frames, often only a single frame will update with information while the other frames remain intact. Because using frames gives the user a consistent portion of the screen, they are often used for navigational toolbars for web sites. They are also often faster because only a portion of the screen is updated, instead of the entire screen. Frames can be an asset to users of screen readers and other assistive technology if the labels on the frames are explicit. Labels such

as top, bottom, or left, provide few clues as to what is contained in the frame. However, labels such as "navigation bar" or "main content" are more meaningful and facilitate frame identification and navigation. (See § 1194.23(c)(10) in the NPRM.) This provision uses language that is not substantively different than WCAG 1.0. No substantive changes have been made to this provision in the final rule.

Paragraph (j) sets limits on the blink or flicker rate of screen elements. This section is a result of the reorganization of the final rule and is similar to section 1194.21(k) discussed above. (See § 1194.21(c) in the NPRM.) This provision is meant to be consistent with WCAG 1.0 Checkpoint 7.1 which provides that, "[u]ntil user agents allow users to control flickering, avoid causing the screen to flicker." This provision uses language which is more consistent with enforceable regulatory language.

Paragraph (k) requires that a text-only web page shall only be provided as a last resort method for bringing a web site into compliance with the other requirements in § 1194.22. Text-only pages must contain equivalent information or functionality as the primary pages. Also, the text-only page shall be updated whenever the primary page changes. This provision is meant to be consistent with WCAG 1.0 Checkpoint 11.4 which provides that "[i]f, after best efforts, you cannot create an accessible page, provide a link to an alternative page that uses W3C technologies, is accessible, has equivalent information (or functionality), and is updated as often as the inaccessible (original) page."

Paragraph (l) requires that when web pages rely on special programming instructions called "scripts" to affect information displayed or to process user input, functional text shall be provided. It also requires that the text be readable by assistive technology such as screen reading software. Scripts are widely used by web sites as an efficient method to create faster or more secure web communications. A script is a programmatic set of instructions that is downloaded with a web page and permits the user's computer to share the processing of information with the web server. Without scripts, a user performs some action while viewing a web page, such as selecting a link or submitting a form, a message is sent back to the "web server", and a new web page is sent back to the user's computer. The more frequently an individual computer has to send and receive information from a web server, the greater chance there is for errors in the data, loss of speed, and possible violations of security. Also,

when many users are simultaneously viewing the same web page, the demands on the web server may be huge. Scripts allow more work to be performed on the individual's computer instead of on the web server. And, the individual computer does not have to contact the web server as often. Scripts can perform very complex tasks such as those necessary to complete, verify, and submit a form and verify credit information. The advantage for the user is that many actions take place almost instantly, because processing takes place on the user's computer and because communication with the web server is often not necessary. This improves the apparent speed of a web page and makes it appear more dynamic. Currently, JavaScript, a standardized object-oriented programming language, is the most popular scripting language, although certain plug-ins (see below) support slightly different scripting languages. This provision requires web page authors to ensure that all the information placed on a screen by a script shall be available in a text form to assistive technology. (See § 1194.23(c)(11) in the NPRM.)

*Comment.* The NPRM was more specific in its application, providing that pages must be usable when scripts, applets, or other programmatic objects are turned off or are not supported. The NPRM permitted the use of an alternative accessible page. Several commenters found the proposed provision too restrictive. They noted that, as proposed, it could severely discourage innovation both for web page developers and for designers of assistive technology. It was argued that if producers of assistive technology know that a web page would never require access to scripts, there would be no incentive to develop better access to these features. It was also pointed out that discussing scripts, applets, and plug-ins in the same provision was not appropriate, because plug-ins were actual programs that run on a user's machine and do not necessarily originate on the web page. Scripts, on the other hand, are downloaded to a user's system from the web page (or an associated file) and, unlike applets or plug-ins, operate completely inside the browser without any additional software. Therefore, as scripts directly affect the actual content of a web page, the web page designer has control over designing a script but does not have control over which plug-in a user may select to process web content.

*Response.* The final rule has two separate provisions for scripts (l), and applets and plug-ins (m). Web page

authors have a responsibility to provide script information in a fashion that can be read by assistive technology. When authors do not put functional text with a script, a screen reader will often read the content of the script itself in a meaningless jumble of numbers and letters. Although this jumble is text, it cannot be interpreted or used. For this reason, the provision requires that functional text, that is text that when read conveys an accurate message as to what is being displayed by the script, be provided. For instance, if a web page uses a script only to fill the contents of an HTML form with basic default values, the web page will likely comply with this requirement, as the text inserted into the form by the script may be readable by a screen reader. By contrast, if a web page uses a script to create a graphic map of menu choices when the user moves the pointer over an icon, the web site designer may be required to incorporate "redundant text links" that match the menu choices because functional text for each menu choice cannot be rendered to the assistive technology. Determining whether a web page meets this requirement may require careful testing by web site designers, particularly as both assistive technology and the JavaScript standard continue to evolve.

Paragraph (m) is, in part, a new provision developed in response to comments received on § 1194.23(c)(11) of the NPRM and discussed in the preceding paragraph. While most web browsers can easily read HTML and display it to the user, several private companies have developed proprietary file formats for transmitting and displaying special content, such as multimedia or very precisely defined documents. Because these file formats are proprietary, they cannot ordinarily be displayed by web browsers. To make it possible for these files to be viewed by web browsers, add-on programs or "plug-ins" can be downloaded and installed on the user's computer that will make it possible for their web browsers to display or play the content of the files. This provision requires that web pages which provide content such as Real Audio or PDF files, also provide a link to a plug-in that will meet the software provisions. It is very common for a web page to provide links to needed plug-ins. For example, web pages containing Real Audio almost always have a link to a source for the necessary player. This provision places a responsibility on the web page author to know that a compliant application exists, before requiring a plug-in. (See § 1194.21(c)(11) in the NPRM.)

Paragraph (n) requires that people with disabilities have access to interactive electronic forms. Electronic forms are a popular method used by many agencies to gather information or permit a person to apply for services, benefits, or employment. The 1998 Government Paperwork Elimination Act requires that Federal agencies make electronic versions of their forms available on-line when practicable and allows individuals and businesses to use electronic signatures to file these forms electronically. (See § 1194.23(b)(10) in the NPRM.) At present, the interaction between form controls and screen readers can be unpredictable, depending upon the design of the page containing these controls. Some developers place control labels and controls in different table cells; others place control labels in various locations in various distances from the controls themselves, making the response from a screen reader less than accurate many times.

*Comment.* Adobe Systems expressed concern that completing some forms requires a script or plug-in and interpreted the proposed rule as prohibiting such items. They pointed out that there are other methods of completing a form that would not require scripts or plug-ins, but those methods require the constant transfer of information between the client and server computers. Adobe noted that that method can be extremely inefficient and can pose a security risk for the individual's personal data.

*Response.* This provision does not forbid the use of scripts or plug-ins and many of the existing products support these features. If a browser does not support these features, however, paragraphs (l) and (m) require that some other method of working with the web page must be provided. As assistive technologies advance, it is anticipated that the occasions when the use of scripts and plug-ins are not supported will diminish significantly. No substantive changes have been made to this provision in the final rule.

Paragraph (o) provides that a method be used to facilitate the easy tracking of page content that provides users of assistive technology the option to skip repetitive navigation links. (See § 1194.23(c)(13) in the NPRM.) No substantive comments were received on this provision and no changes were made, other than editorial changes.

Paragraph (p) addresses the accessibility problems that can occur if a web page times-out while a user is completing a form. Web pages can be designed with scripts so that the web page disappears or "expires" if a

response is not received within a specified amount of time. Sometimes, this technique is used for security reasons or to reduce the demands on the computer serving the web pages. A disability can have a direct impact on the speed with which a person can read, move around, or fill in a web form. For this reason, when a timed response is required, the user shall be alerted and given sufficient time to indicate that additional time is necessary. (See § 1194.21(d) in the NPRM.)

*Comment.* The proposed rule prescribed specific settings for increasing the time-out limit based on a default setting. The Board sought comment on whether a system was commercially available that would allow a user to adjust the time-out. The Board also sought information on whether the proposed provision would compromise security. Commenters responded that security would be an issue if the time-out period was extended for too long and information with personal data was left exposed. Other commenters raised the point that specifying specific multiples of the default was unrealistic and arbitrary. The Multimedia Telecommunications Association (MMTA) stated that the default was not built-into a system. Rather, it was generally something that was set by an installer or a system administrator. They also noted that in order for a user to know that more time is needed, the user must be alerted that time is about to run out.

*Response.* The provision has been revised as a performance standard rather than a specific design standard by removing the reference to a specified length of time for users to respond. The Board agrees that it would be difficult for a user to know how much more time is needed even if the time-out could be adjusted. The final rule requires only that a user be notified if a process is about to time-out and be given an opportunity to answer a prompt asking whether additional time is needed.

#### Section 1194.23 Telecommunications Products

Paragraph (a) requires that telephone equipment shall provide a standard non-acoustic connection point for TTYs. A TTY is a device that includes a keyboard and display that is used to transmit and receive text over a telephone line using sound. Originally, TTY's used acoustic connections and the user placed the telephone handset on the TTY to transfer the sound signals between the TTY and the telephone. Handsets on many modern telephones do not fit well with many TTY acoustic couplers, allowing interference from

outside noise. Individuals who use TTYs to communicate must have a non-acoustic way to connect TTYs to telephones in order to obtain clear TTY connections, such as through a direct RJ-11 connector, a 2.5 mm audio jack, or other direct connection. When a TTY is connected directly into the network, it must be possible for the acoustic pickup (microphone) to be turned off (automatically or manually) to avoid having background noise in a noisy environment mixed with the TTY signal. Since some TTY users make use of speech for outgoing communications, the microphone on/off capability must be automatic or easy to switch back and forth or a push-to-talk mode should be provided. In the Telecommunications Act Accessibility Guidelines (36 CFR Part 1193), the Board recognized that direct-connect TTYs are customer premises equipment (CPE) subject to section 255 of that Act. Since CPE is a subset of electronic and information technology, it is similarly covered by this rule. This provision was adopted from the Board's Telecommunications Act Accessibility Guidelines so that manufacturers of telecommunications and customer premises equipment covered by section 255 of the Telecommunications Act wishing to sell products to the Federal government would have a consistent set of requirements. (See § 1194.23(d)(1) in the NPRM.)

*Comment.* The MMTA commented that providing a direct connection to an analog telephone may be as simple as providing an RJ-11 jack, but that digital phones pose additional problems. It noted that most multi-line business phones operating through a PBX are digital phones. However, it also stated that TTY connectivity can be accomplished by adding an analog line similar to what would be provided for a fax machine. The MMTA further suggested that TTY manufacturers should share the burden for compatibility. Another comment suggested that the Board require the provision of a shelf and outlet for a TTY.

*Response.* In some cases, the addition of an RJ-11 connector will be the easiest solution. In other cases, the addition of a "smart" adapter may be necessary, similar to the dataports available on many hotel phones. Some adapters and converters have circuitry which determines the nature of the line and plug-in equipment and makes the adjustment automatically while others are manual. There is merit, however, in viewing this provision from the standpoint of the capabilities of a system as opposed to the capabilities of

a single desktop unit. There may be cases in which the connection is best made at the PBX level by installing analog phone lines where necessary. The final provision has been modified to allow for either option.

With respect to the suggestion that the standards require a shelf and outlet for a TTY, these standards apply to the electronic and information technology products themselves, not the furniture they occupy. Therefore, these standards do not address auxiliary features such as shelves and electrical outlets.

Paragraph (b) requires that products providing voice communication functionality be able to support use of all commonly used cross-manufacturer, non-proprietary, standard signals used by TTYs. Some products compress or alter the audio signal in such a manner that standard signals used by TTYs are not transmitted properly, preventing successful TTY communication. This provision is consistent with the Telecommunications Act Accessibility Guidelines. (See § 1194.23(d)(2) in the NPRM.)

*Comment.* Comments from industry suggested that the Board should clarify the standard referred to as U.S. standard Baudot communications protocol. They noted that there are several standards in use in Europe. Some European products support more than one of these standards, but not the common U.S. standard. The comments said that such products would arguably comply with the provision but would not meet the intent of section 508.

*Response.* The proposed rule required that products must support all cross-manufacturer, non-proprietary protocols, not just one or two. Of course, that included the common U.S. Baudot protocol (ANSI/TIA/EIA 825). ASCII is also used, especially on dual mode TTYs, but it is less common. Compliance with international standard ITU-T Recommendation V.18 would meet this provision, but products complying with the ITU standard may not be commercially available. It is important that products and systems support the protocol used by most TTYs currently in use to avoid a disenfranchisement of the majority of persons who are deaf or hard of hearing. However, the intent of this provision is to require support of more than just Baudot or just ASCII. At present, only these two are commonly used in the U.S., but others may come into use later. While the Board does not want to disenfranchise users of current devices, neither does it want to exclude those who buy newer equipment, as long as such devices use protocols which are not proprietary and are supported by



more than one manufacturer. Of course, like all the requirements of these standards, this provision is subject to commercial availability. Accordingly, the provision has been changed in the final rule by adding the phrase "commonly used."

Paragraph (c) provides that TTY users be able to utilize voice mail, auto-attendant, and interactive voice response telecommunications systems. Voice mail systems are available which allow TTY users to retrieve and leave TTY messages. This provision does not require that phone systems have voice to text conversion capabilities. It requires that TTY users can retrieve and leave TTY messages and utilize interactive systems. (See § 1194.23(d)(3) in the NPRM.)

*Comment.* One commenter suggested that the Board encourage developers to build-in direct TTY decoding so that external TTYs are not required. For example, if an employee had voice mail with TTY functionality built-in, that employee would be able to read TTY messages through the computer system directly, without needing to attach an external TTY. The commenter noted that this would be beneficial to Federal agencies having telephone communication with members of the public who have speech or hearing disabilities. The agency could then have direct communication rather than being required to use an external TTY device or utilizing a relay service. Another said telecommunications systems should be required to have TTY decoding capability built-in, to the maximum extent possible. Another commenter pointed out that voice mail, voice response, and interactive systems depend on DTMF "touch tones" for operation and that many TTYs do not provide this function. Also, one commenter noted that automatic speech recognition (ASR) is not yet mature, but requested that a requirement for ASR be reviewed every two years to determine the feasibility of including such capabilities in products based on the rapid change of technology.

*Response.* This provision requires that voice mail, auto-attendant, and interactive voice response systems be usable with TTYs. It is desirable that computers have built-in TTY capability and there are currently systems which can add such functionality to computers. This provision is a performance requirement and the Board does not feel it would be useful to be more specific at this time. The current problems with voice mail and voice response systems are not necessarily susceptible to a single solution and there are several ways to comply,

including voice recognition in some cases, depending on the system. Many voice mail systems could record a TTY message, just like a voice message, but the outgoing message needs to include a TTY prompt letting TTY users to know when to start keying. A requirement for a quick response to menu choices is the most frequently reported barrier for relay users. The ability to "opt out" of a menu and connect with an operator or transfer to a TTY system are also ways to make these services available and usable without highly sophisticated decoding technology.

Paragraph (d) addresses access problems that can arise when telecommunications systems require a response from a user within a certain time. Due to the nature of the equipment, users of TTYs may need additional time to read and respond to menus and messages. This provision is identical to section 1194.22(p) discussed above. (See § 1194.21(d)(4) in the NPRM.)

*Comment.* The proposed rule prescribed specific settings for increasing the time-out limit based on a default setting. Commenters raised the point that specifying specific multiples of the default was unrealistic and arbitrary. The MMTA stated that the default was not built-into a system. Rather it was generally something that was set by an installer or a system administrator. It also noted that in order for users to know that more time is needed, they must be alerted that time is about to run out.

*Response.* The provision has been changed to a performance standard rather than a specific design standard by removing the reference to a specified length of time for users to respond. The Board agrees that it would be difficult for a user to know how much more time is needed even if the time-out could be adjusted. The final rule requires only that a user be notified if a process is about to time-out and be given an opportunity to answer a prompt asking whether additional time is needed.

Paragraph (e) requires that functions such as caller identification must be accessible for users of TTYs, and for users who cannot see displays. (See § 1194.23(d)(5) in the NPRM.)

*Comment.* One commenter thought the reference to telecommunications relay services in the NPRM implied that caller identification information must somehow be transmitted directly to the end-user.

*Response.* Since the end-users in a telecommunications relay service are not directly connected, passing along caller identification information is not

commonly done, therefore, the reference to relay services has been deleted to avoid confusion.

Paragraph (f) requires products to be equipped with volume control that provides an adjustable amplification up to a minimum of 20 dB of gain. If a volume adjustment is provided that allows a user to set the level anywhere from 0 to the upper requirement of 20 dB, there is no need to specify a lower limit. If a stepped volume control is provided, one of the intermediate levels must provide 12 dB of gain. The gain applies to the voice output. (See § 1194.23(d)(6) in the NPRM.)

*Comment.* Several commenters supported the provision for a 20 dB gain, but some supported a 25 dB requirement, pointing out that many persons who are hard of hearing need more than 20 dB amplification. Others urged the Board to adopt the current Federal Communications Commission's (FCC) requirement for a minimum of 12 dB and a maximum of 18 dB. Some commenters said amplifying a poor quality signal would not be useful and that the amplification may itself introduce distortion.

*Response.* The proposed level of amplification was different from that required under the FCC regulations implementing the Hearing Aid Compatibility Act (47 CFR 68.317 (a)). The FCC requires volume control that provides, through the receiver in the handset or headset of the telephone, 12 dB of gain minimum and up to 18 dB of gain maximum, when measured in terms of Receive Objective Loudness Rating.

The Board's provision is consistent with the 1998 ANSI A117.1 document, "Accessible and Usable Buildings and Facilities." ANSI is the voluntary standard-setting body which issues accessibility standards used by the nation's model building codes. The Board has issued a separate NPRM to harmonize the existing ADAAG provision with the ANSI standard. The FCC originally selected its requirement to be consistent with the ADA Accessibility Guidelines now being proposed for amendment. This provision is consistent with the proposed ADA and Architectural Barriers Act Accessibility Guidelines and the Telecommunications Act Accessibility Guidelines. No changes were made to this provision in the final rule.

Paragraph (g) requires that an automatic reset be installed on any telephone that allows the user to adjust the volume higher than the normal level. This is a safety feature to protect people from suffering damage to their

hearing if they accidentally answer a telephone with the amplification turned too high. (See § 1194.23(d)(7) in the NPRM.)

*Comment.* Most commenters supported the provision for an automatic reset. One commenter said the reset would be a problem for an individual user who would be required to constantly readjust his or her telephone to a usable level.

*Response.* The provision is adopted from the ADA Accessibility Guidelines, where it applies to public phones used by many people. The FCC's Part 68 rules require an automatic reset when the phone is hung up if the volume exceeds 18 dB gain. To provide the ability to override the reset function would require a waiver from the FCC since the standards require a 20 dB gain. No changes have been made to this section in the final rule.

Paragraph (h) requires telephones, or other products that provide auditory output by an audio transducer normally held up to the ear, to provide a means for effective wireless coupling to hearing aids. Many hearing aids incorporate "T-coils" that generate sounds based on magnetic signals received from earpieces that can generate the appropriate magnetic field. Generally, this provision means the earpiece generates sufficient magnetic field strength to induce an appropriate field in a hearing aid T-coil. The output in this case is the direct voice output of the transmission source, not the "machine language" such as tonal codes transmitted by TTYs. For example, a telephone must generate a magnetic output so that the hearing aid equipped with a T-coil can accurately receive the message. This provision is consistent with the Telecommunications Act Accessibility Guidelines. (See § 1194.23(d)(8) in the NPRM.) No substantive comments were received and no changes have been made to this section in the final rule.

Paragraph (i) requires that interference to hearing technologies be reduced to the lowest possible level that allows a user of hearing technologies to utilize a telecommunications product. Individuals who are hard of hearing use hearing aids and other assistive listening devices, but they cannot be used if products introduce noise into the listening aids because of electromagnetic interference. (See § 1194.23(d)(9) in the NPRM.)

*Comment.* The American National Standards Institutes (ANSI) is developing methods of measurement and defining the limits for hearing aid compatibility and accessibility to wireless telecommunications. At the

time of the proposed rule, the ANSI C63.19 ANSI/IEEE Standard for Hearing Aid Compatibility with Wireless Devices was not completed. The NPRM noted that the Board may ultimately incorporate the standard when it is completed. Several commenters recommended referencing the work of the ANSI committee.

*Response.* The ANSI committee has recently completed its work. No changes have been made to this provision in the final rule and the provision continues to be a performance standard rather than a specific design standard. However, compliance with the ANSI C63.19 ANSI/IEEE Standard for Hearing Aid Compatibility with Wireless Devices would meet this provision.

Paragraph (j) provides that all products that act as a transport or conduit for information or communication shall pass all codes, translation protocols, formats, or any other information necessary to provide information or communication in a usable format. In particular, signal compression technologies shall not remove information needed for access or shall restore it upon decompression. Some transmissions include codes or tags embedded in "unused" portions of the signal to provide accessibility. For example, closed captioning information is usually included in portions of a video signal not seen by users without decoders. This section prohibits products from stripping out such information or requires the information to be restored at the end point. (See § 1194.25(a) in the NPRM.) No substantive comments were received and no changes have been made to this section in the final rule.

Paragraph (k) addresses controls that require some physical force to activate. It is the application of force to these controls that distinguishes them from touch sensitive controls where the mere presence of a hand or finger is detected and reacted to by the product. (See § 1194.23(a) in the NPRM.)

*Comment.* As proposed, this provision addressed mechanically operated controls, keyboard, and keypads. Commenters were concerned that the provisions were too general. Some commenters said that it was possible to interpret this section as applying to touchscreens, and that making touchscreen controls compliant with these provisions was not possible. Commenters also raised the question of whether the proposed standards would require every product to have a keyboard.

*Response.* This provision has been amended to clarify its application to mechanically operated controls. The

provision only applies to products which have mechanically operated controls or keys and therefore does not require every product to have a keyboard. This provision was not intended to apply to touchscreens as touchscreens do not have mechanically operated controls.

Paragraph (k)(1) provides that mechanically operated controls and keys shall be tactilely discernible without activating the controls or keys. Tactilely discernible means that individual keys can be located and distinguished from adjacent keys by touch. To comply with this provision, controls that must be touched to activate, must be distinguishable from each other. This can be accomplished by using various shapes, spacing, or tactile markings. Because touch is necessary to discern tactile features, this provision provides that the control should not be activated by mere contact. For example, the standard desktop computer keyboard would meet this provision because the tactile mark on the "j" and "f" keys permits a user to locate all other keys tactilely. The geographic spacing of the function, "numpad" and cursor keys make them easy to locate by touch. In addition, most keyboards require some pressure before they transmit a keystroke. Conversely, "capacitance" keyboards that react as soon as they are touched and have no raised marks or actual keys would not meet this provision. A "membrane" keypad with keys that must be pressed can be made tactilely discernible by separating keys with raised ridges so that individual keys can be distinguished by touch. (See § 1194.23(a)(1) in the NPRM.) No substantive comments were received and no changes have been made to this section in the final rule.

Paragraph (k)(2) provides that mechanically operated controls shall be accessible to persons with limited dexterity. Individuals with tremor, cerebral palsy, paralysis, arthritis, or artificial hands may have difficulty operating systems which require fine motor control, assume a steady hand, or require two hands or fingers to be used simultaneously for operation. Individuals with high spinal cord injuries, arthritis, and other conditions may have difficulty operating controls which require significant strength. The provision limits the force required to five pounds and is based on § 4.27.4 of the ADA Accessibility Guidelines and is consistent with the Telecommunications Act Accessibility Guidelines. (See § 1194.23(a)(3) in the NPRM.)

*Comment.* The ITIC was concerned about requiring that all controls be easily activated. They pointed out that on many pieces of equipment the on/off switch is purposely set so that it is hard to activate. This is done to prevent accidental shut-down of equipment such as with a network server. They felt it was unreasonable to require changing that type of control.

*Response.* The Board has addressed this issue by adding § 1194.3(f) which exempts such controls from these standards. The on/off switch on a network server for example, would be operated only when maintenance of the equipment was required and would not be for normal operation. No changes have been made to this section in the final rule.

Paragraph (k)(3) establishes provisions for key repeat rate where an adjustable keyboard repeat rate is supported. It requires that the keyboard delay before repeat shall be adjustable to at least two seconds per character. (See § 1194.23(a)(5) in the NPRM.) No substantive comments were received and no changes have been made to this section in the final rule.

Paragraph (k)(4) provides that the status of toggle controls such as the "caps lock" or "scroll lock" keys be determined by both visual means and by touch or sound. For example, adding audio patterns such as ascending and descending pitch tones that indicate when a control is turned on or off would alleviate the problem of a person who is blind inadvertently pressing the locking or toggle controls. Also, buttons which remain depressed when activated or switches with distinct positions would meet this provision. (See § 1194.23(a)(2) in the NPRM.) No substantive comments were received and no changes have been made to this section in the final rule.

#### Section 1194.24 Video and Multimedia Products

Paragraph (a) requires that television displays 13 inches and larger, and computer equipment that includes television receiver or display circuitry be equipped with the capacity to decode and display captioning for audio material. (See § 1194.23(e)(1) in the NPRM.)

*Comment.* Commenters supported this provision in general, but provided suggestions for clarification. They noted that the FCC defines "television receiver" as a device that can receive and display signals from broadcast, satellite, cable transmission, or other similar transmission sources. The commenters recommended that the provision should also address television monitors that are used with video

cassette recorders (VCRs), digital video disks (DVDs), or direct video input, but do not include tuners. These non-receiver displays are commonly used throughout the government and in educational institutions and therefore, should have the capability to decode closed captions. According to commenters, the provision should reference analog television's "line-21, NTSC" or "EIA-608" caption data decoding capabilities. Many DVD presentations already include line-21 captions and commenters expressed frustration with their inability to see these captions on their desktop or laptop computers. Commenters noted that subtitles are not a substitute for captions, as captions convey more than just dialog. One commenter stated that the provision should apply to screens 10 inches or larger; while another said that digital television (DTV) will allow usable captions on smaller screens and the Board should reference the digital captioning standard EIA-708.

*Response.* This provision has been clarified to cover all television displays, not just those defined as a receiver under the FCC definition. The 13-inch display size was chosen because it is consistent with the Television Decoder Circuitry Act of 1990. The term "analog" added to this provision clarifies the application of the provision.

At the time of the issuance of the NPRM, the FCC was considering a rule on digital television, but had not completed its rulemaking. On July 21, 2000, the FCC issued an order on decoder circuitry standards for DTV. That standard will take effect on July 1, 2002. Devices covered under the FCC rules include DTV sets with integrated "widescreen" displays measuring at least 7.8 inches vertically, DTV sets with conventional displays measuring at least 13 inches vertically, and stand-alone DTV tuners, whether or not they are marketed with display screens. The provision in the final rule has been changed to reflect the FCC regulation.

Paragraph (b) requires that television tuners, including tuner cards for use in computers, have the ability to handle a secondary audio track used for audio description of visual material. The secondary audio channel is commonly used for audio description. An "audio description" is a verbal description of the visual content of a presentation. Audio descriptions are important for persons who are blind or who have low vision because they provide a description of the visual content of a presentation synchronized with verbal information. (See § 1194.23(e)(2) in the NPRM.) No substantive comments were

received and no changes have been made to this section in the final rule.

Paragraph (c) requires the captioning of audio material in certain multimedia presentations. (See § 1194.23(e)(3) in the NPRM.)

*Comment.* The NPRM limited the provision for captioning to productions that were procured or developed for repeated showings to audiences that may include people who are deaf or hard of hearing. Commenters were concerned that agencies would avoid this provision by saying that they did not anticipate having members of the audience who were deaf or hard of hearing. Commenters noted that in many instances providing an interpreter may not be a suitable alternative. They also pointed out that subtitles are not an effective substitute for captioning multimedia presentations because subtitles do not display the environmental sounds, descriptions of music, or additional text that conveys a richer content than mere translation of the spoken dialogue.

*Response.* As proposed, the provision was intended to require captioning whenever the audience might include a person who was deaf or hard of hearing. The final rule has been modified to require that all training and informational video and multimedia presentations that contain speech or other audio information necessary for the comprehension of the content and which supports an agency's mission, shall be open or closed captioned regardless of the anticipated audience. This provision would not require that a videotape recorded by a field investigator to document a safety violation be captioned or audio described, for example. On the other hand, if such a videotape were subsequently used as part of a training or informational presentation, it would have to be captioned and audio described. A video of a retirement celebration would not be in support of an agency's mission and would thus not be required to be captioned. Also, this provision applies only to video and multimedia presentations which contain speech or other audio information necessary for the comprehension of the content. A video that is not narrated since it does not contain speech. The NPRM asked a question about the availability of software products that could be used to provide captioning or description to multimedia computer presentations. Information supplied by commenters suggests such products are readily available.

Paragraph (d) requires that certain multimedia presentations provide an

audio description of visual material. (See § 1194.23(e)(4) in the NPRM.)

*Comment.* The proposed rule limited the provision for audio description to productions that were procured or developed for repeated showings to audiences that may include people who are blind or who have low vision. Similar to (c) above, commenters were concerned that agencies may use the limitation to avoid providing the audio description.

*Response.* This provision has been modified to require audio description regardless of the anticipated audience. The final rule has been modified to require that all training and informational video and multimedia productions which support the agency's mission, regardless of format, that contain visual information necessary for the comprehension of the content, shall be audio described. A video or multimedia presentation that does not support an agency's mission would not be required to be audio described. Also, this provision applies only to videos or multimedia presentations which contain visual information necessary for the comprehension of the content. A "talking heads" video does not generally contain visual information necessary for the comprehension of the content and would therefore not be required to be audio described.

Paragraph (e) provides that the captioning and audio description required in (c) and (d) above must be user selectable unless permanent. (See § 1194.23(e)(5) in the NPRM.)

*Comment.* The National Center for Accessible Media (NCAM) at public television station WGBH indicated that unlike captioning, audio descriptions can only be hidden and then activated on request on broadcast or cablecast video. The videotape format VHS commonly used by consumers and many companies cannot encode audio description for later activation like closed captions. Videos in the VHS format must have their descriptions permanently recorded as part of the main audio program. As a result, the audio descriptions on VHS cannot be turned off. As a solution, NCAM suggested that it may be desirable to have a separate videotape available that was not described, along with a described version to allow a user to choose which version they wish to present. Unlike the VHS format, CD-ROMs, DVDs and other multimedia can support alternate audio channels for descriptions (or alternate languages). The means of choosing those alternate tracks varies by the medium, but usually involves selection from an on-screen menu. Those menus must be made

audible or otherwise readily selectable so that people who are blind or visually impaired can independently select and gain access to those audio descriptions.

*Response.* While the displaying of captioning is user selectable, there may be instances where the audio description would be considered permanent. The provision provides that when permanent, the user selectability provision does not apply. No changes have been made to this section in the final rule.

#### *Section 1194.25 Self Contained, Closed Products*

Sections 1194.25 (a) through (j) apply to those products that generally have embedded software and are commonly designed in such a fashion that a user cannot easily attach or install assistive technology. This section is a result of the reorganization of the final rule. In some instances, a personal computer with a touch-screen will be enclosed in a display and used as an "information kiosk". Self contained, closed products include, but are not limited to, information kiosks and information transaction machines, copiers, printers, calculators, fax machines, and other similar types of products. A definition of self contained, closed products has also been added.

Paragraph (a) provides that access features must be built-into a self contained, closed product rather than requiring users to attach an assistive device to the product. Personal headsets are not considered assistive technology and may be required to use the product. (See § 1194.23(f)(1) in the NPRM.)

*Comment.* Though discussed in the preamble, the text of the proposed rule did not address the issue of personal headsets. The preamble noted that personal headsets were not considered assistive technology. The ITIC urged the Board to make this clear in the text of the rule.

*Response.* The Board has modified this provision by clarifying that personal headsets are not considered assistive technology. No other changes were made to this provision.

Paragraph (b) addresses access problems that can arise when self contained, closed products require a response from a user within a certain time and is identical to § 1194.22(p) and § 1194.23(d) which are discussed in detail above. (See § 1194.21(d) in the NPRM.) The final rule requires only that a user be notified if a process is about to time-out and be given an opportunity to answer a prompt asking whether additional time is needed.

Paragraph (c) requires that when a product utilizes touchscreens or

contact-sensitive controls, a method of operating the product be provided that complies with the provisions for controls in § 1194.23(k)(1) through (4). (See § 1194.21(f) in the NPRM.)

*Comment.* The proposed rule required that touchscreens or touch-operated controls be operable without requiring body contact or close human body proximity. Commenters found the proposed provision to be confusing. One commenter noted that the proposed rule required all touchscreens to be operable by a remote control. Several commenters expressed concern that accessibility to touchscreens for individuals who are blind or who have low vision was not adequately addressed.

*Response.* Touchscreens and other controls that operate by sensing a person's touch pose access problems for a range of persons with disabilities. This provision does not prohibit the use of touchscreens and contact sensitive controls, but, as modified, the final rule requires a redundant set of controls that can be used by persons who have access problems with touchscreens.

Paragraph (d) addresses the use of biometric controls. Biometric controls refer to controls that are activated only if particular biological features (*e.g.*, fingerprint, retina pattern, etc.) of the user matches specific criteria. Using retinal scans or fingerprint identification may become a common practice as a method of allowing an individual to gain access to personal data from an information transaction type of machine. (See § 1194.21(e) in the NPRM.)

*Comment.* In the proposed rule, the Board sought comment on the best approach to accessibility issues raised by biometric forms of identification and controls. Commenters responded that asking a system to have multiple forms of biometric identification could be prohibitively expensive. Most commenters were in agreement that biometric controls provide the most security. However, they also agreed that when such a system needs to be accessed by a person with a disability and that disability prohibits the use of a specific biometric feature, a non-biometric alternative should be provided that does not compromise security.

*Response.* The provision does not require a specific alternative. That selection is left up to the agency, which may choose a less expensive form of identification. No changes were made to this provision in the final rule.

Paragraph (e) requires that when products use audio as a way to communicate information, the auditory

signal will be available through an industry standard connector at a standard signal level. Individuals using personal headphones, amplifiers, audio couplers, and other audio processing devices need a place to plug these devices into the product in a standard fashion. This gives the user the ability to listen privately to the information. The product must also provide a method to pause, restart, and interrupt the flow of information. (See § 1194.23(f)(2) and § 1194.25(d) in the NPRM.) No substantive comments were received on this provision and no changes were made, other than editorial changes.

Paragraph (f) provides that when products deliver voice output, they shall provide incremental volume control with output amplification up to a level of at least 65 dB. Where the ambient noise level of the environment is above 45 dB, a volume gain of at least 20 dB above the ambient level shall be user selectable. According to the Occupational Safety and Health Administration, and the American Speech, Language, and Hearing Association, 65 dB is the volume level for normal speech. This provision requires that audio output from a kiosk type product shall have a minimum level of 65 dB. For people with reduced hearing, voice levels must be 20 dB above the surround sound level to be understandable. This means that as long as the noise level in the surrounding environment is below 45 dB, the 65 dB output level would be sufficient. If the product is in an environment with a high noise level, the user must be able to raise the volume to a setting of 20 dB higher than the ambient level. (See § 1194.23(f)(3) in the NPRM.) A feature has been required to automatically reset the volume to the default level after every use. This is consistent with a similar provision addressing telecommunications products. No substantive comments were received and no other changes have been made to this section in the final rule.

Paragraph (g) addresses the use of color prompting and is identical to section 1194.21(i) discussed above. (See § 1194.21(a) in the NPRM.) No substantive comments were received and no changes have been made to this section in the final rule.

Paragraph (h) addresses color selection and contrast settings and is identical to section 1194.21(j) discussed above. (See § 1194.23(b)(8) in the NPRM.)

Paragraph (i) addresses the use of flashing objects and is identical to section 1194.21(k) discussed above. (See § 1194.21(c) in the NPRM.)

Paragraphs (j)(1) through (4) provide provisions for the physical characteristics of large office equipment including reach ranges and the general physical accessibility of controls and features. Examples of these products, include but are not limited to, copiers, information kiosks and floor standing printers. These provisions are based on the Americans with Disabilities Act Accessibility Guidelines (ADAAG 4.2 Space Allowance and Reach Ranges). Two figures are provided to help explain the application of these provisions. (See § 1194.21(b)(1) through (4) in the NPRM.) No substantive comments were received on these provisions and no changes were made in the final rule.

#### *Section 1194.26 Desktop and Portable Computers*

This section is a result of the reorganization of the final rule. Paragraphs (a) through (d) contain provisions that apply to desktop and portable computers. The provisions in § 1194.21 for software address the accessibility of programs and operating systems that run on a computer. In contrast, the provisions in this section address physical characteristics of computer systems including the design of controls and the use of connectors. This section was previously addressed in § 1194.21 (General requirements), § 1194.23 (Component specific requirements) and § 1194.25 (Requirements for compatibility with assistive technology) in the NPRM.

Paragraph (a) addresses keyboards and other mechanically operated controls. These provisions are addressed further in sections 1194.23(k)(1) through (4) above. (See § 1194.23(a) in the NPRM.)

Paragraph (b) provides that systems using touchscreen technology must also provide controls that comply with sections 1194.23(k)(1) through (4) discussed above. (See § 1194.21(f) in the NPRM.) Similar to § 1194.25(c), this provision was modified in the final rule to require redundant controls.

Paragraph (c) requires that when biometric forms of identification are used, an alternative must also be available. This provision is identical to § 1194.25 (d) discussed above.

Paragraph (d) requires that products have standard ports and connectors. This means that the connection points on a system must comply with a standard specification that is available to other manufacturers. This provision assures that the designers of assistive technology will have access to information concerning the design of system connections and thus be able to

produce products that can utilize those connections. (See § 1194.25(b) in the NPRM.)

*Comment.* In the proposed rule, this provision was addressed in § 1194.25(b) under the requirements for compatibility with assistive technology. A commenter noted that this provision was more specific to computer products and not to all products.

*Response.* As noted, this provision has been modified to apply to computer products.

#### **Subpart C—Functional Performance Criteria**

##### *Section 1194.31 Functional Performance Criteria*

This section provides functional performance criteria for overall product evaluation and for technologies or components for which there is no specific requirement under other sections. These criteria are also intended to ensure that the individual accessible components work together to create an accessible product. This section requires that all product functions, including operation and information retrieval, be operable through at least one mode addressed in each of the following paragraphs.

*Comment.* The ITIC requested clarification as to how a manufacturer would determine the type and number of assistive technology devices for which support must be provided by a product.

*Response.* Manufacturers do not need to be aware of the universe of assistive technology products on the market. Each provision specifies the type of assistive technology that must be supported. For example, § 1194.31(a) addresses those assistive technology devices which provide output to persons who cannot see the screen. Such devices may include screen readers, Braille displays and speech synthesizers. There are numerous resources available to manufacturers to assist them in identifying specific types of assistive technology which would be used to access their product.

Paragraph (a) provides that at least one mode of operation and information retrieval that does not require user vision shall be provided, or support for assistive technology used by people who are blind or visually impaired shall be provided. It is not expected that every software program will be self-voicing or have its own built-in screen reader. Software that complies with § 1194.21 would also satisfy this provision. (See § 1194.27(a) in the NPRM.) No substantive comments were

received regarding this provision and no changes were made in the final rule.

Paragraph (b) provides that at least one mode of operation and information retrieval that does not require visual acuity greater than 20/70 (when corrected with glasses) must be provided in audio and enlarged print output that works together or independently. In the alternative, support for assistive technology used by people who are blind or who have low vision must be provided. Although visual acuity of 20/200 is considered "legally blind," there are actually millions of Americans with vision below the 20/200 threshold who can still see enough to operate and get output from technology, often with just a little additional boost in contrast or font size. This paragraph requires either the provision of screen enlargement and voice output or, that the product support assistive technology. (See § 1194.27(b) in the NPRM.) No substantive comments were received regarding this provision and no changes were made in the final rule.

Paragraph (c) provides that at least one mode of operation and information retrieval that does not require user hearing must be provided, or support for assistive technology used by people who are deaf or hard of hearing shall be provided. This provision is met when a product provides visual redundancy for any audible cues or audio output. If this redundancy cannot be built-into a product then the product shall support the use of assistive technology. (See § 1194.27(c) in the NPRM.) No substantive comments were received regarding this provision and no changes were made in the final rule.

Paragraph (d) requires that audio information important for the use of a product, must be provided in an enhanced auditory fashion by allowing for an increase in volume and/or altering the tonal quality or increasing the signal-to-noise ratio. For example, increasing the output would assist persons with limited hearing to receive information. Audio information that is important for the use of a product includes, but is not limited to, error tones, confirmation beeps and tones, and verbal instructions. (See § 1194.27(d) in the NPRM.) No substantive comments were received regarding this provision. The final provision has been amended editorially to provide that support for assistive hearing devices may be provided in place of built-in enhanced audio features.

Paragraph (e) provides that at least one mode of operation and information retrieval which does not require user

speech must be provided, or support for assistive technology shall be provided. Most products do not require speech input. However, if speech input is required to operate a product, this paragraph requires that at least one alternative input mode also be provided. For example, an interactive telephone menu that requires the user to say or press "one" would meet this provision. (See § 1194.27(e) in the NPRM.) No substantive comments were received regarding this provision and no changes were made in the final rule.

Paragraph (f) provides that at least one mode of operation and information retrieval that does not require fine motor control or simultaneous actions and which is operable with limited reach and strength must be provided. (See § 1194.27(f) in the NPRM.) No substantive comments were received regarding this provision and no changes were made in the final rule.

#### **Subpart D—Information, Documentation, and Support**

##### *Section 1194.41 Information, Documentation, and Support*

In order for a product to be fully usable by persons with disabilities, the information about the product and product support services must also be usable by persons with disabilities. These issues are addressed in this section.

Paragraph (a) states that when an agency provides end-user documentation to users of technology, the agency must ensure that the documentation is available upon request in alternate formats. Alternate formats are defined in § 1194.4, Definitions. Except as provided in paragraph (b) below, this provision does not require alternate formats of documentation that is not provided by the agency to other users of technology. (See § 1194.31(a) in the NPRM.) No substantive comments were received regarding this provision and no changes other than editorial changes were made in the final rule.

Paragraph (b) requires that agencies supply end-users with information about accessibility or compatibility features that are built-into a product, upon request. (See § 1194.31(b) in the NPRM.) No substantive comments were received regarding this provision and, other than an editorial revision substituting "methods" for "modes", and general editorial changes, no other changes were made in the final rule.

Paragraph (c) provides that help desks and other support services serving an agency must be capable of accommodating the communications needs of persons with disabilities. For

example, an agency help desk may need to communicate through a TTY. The help desk or support service must also be familiar with such features as keyboard access and other options important to people with disabilities. (See § 1194.31(a) in the NPRM.) No substantive comments were received regarding this provision and no changes other than editorial changes were made in the final rule.

#### **Regulatory Process Matters**

##### *Executive Order 12866: Regulatory Planning and Review and Congressional Review Act*

This final rule is an economically significant regulatory action under Executive Order 12866 and has been reviewed by the Office of Management and Budget (OMB). The final rule is also a major rule under the Congressional Review Act. The Board has prepared a regulatory assessment for the final rule which has been placed in the docket and is available for public inspection. The regulatory assessment is also available on the Board's Internet site (<http://www.access-board.gov/sec508/assessment.htm>). In the NPRM, the Board sought comment on the regulatory assessment which was prepared in conjunction with the proposed rule. The Board received four comments that specifically addressed concerns with that economic assessment. A summary of the comments received and the Board's responses can be found in Chapter Six of the Board's final regulatory assessment.

Section 508 covers the development, procurement, maintenance or use of electronic and information technology by Federal agencies. Exemptions are provided by statute for national security systems and for instances where compliance would impose an undue burden on an agency. The final rule improves the accessibility of electronic and information technology used by the Federal government and will affect Federal employees with disabilities, as well as members of the public with disabilities who seek to use Federal electronic and information technologies to access information. The final rule is based largely on the recommendations of the Electronic and Information Technology Access Advisory Committee.

The standards in the final rule will be incorporated into the Federal Acquisition Regulation (FAR). Failure of a Federal agency to comply with the standards may result in a complaint under the agency's existing complaint procedures under section 504 of the

Rehabilitation Act or a civil action seeking to enforce compliance with the standards.

**Estimated Baseline of Federal Spending for Electronic and Information Technology**

According to OMB figures, Federal government expenditures for information technology products was \$37.6 billion in fiscal year 1999. The defense agencies appear to have the highest information technology budgets, while civilian agency budgets are expected to increase rapidly. It was not possible however, to disaggregate this data such that it was useful for purposes of a regulatory assessment. Instead, the regulatory assessment uses annual sales data collected from the General Services Administration (GSA) as a proxy for the actual number of products in each applicable technology category. Using the GSA data, the regulatory assessment estimates that the Federal government spends approximately \$12.4 billion annually on electronic and information technology products covered by the final rule. This estimate likely understates the actual spending by the Federal government because it is limited to the GSA data. Agencies are not required to make purchases through the GSA supply service, thus many items are purchased directly from suppliers. As a result, the government costs for software and compatible hardware products may actually be higher than estimates would indicate.

The regulatory assessment also examines historical budgetary obligations for information technology tracked by OMB until fiscal year 1998. Two scenarios were examined to

develop an upper and lower bound to represent the proportion expected to be potentially affected by the final rule. During a five year period from fiscal year 1994 through fiscal year 1998, the average proportion of the total information technology obligations potentially covered by the final rule ranged between 25 percent and 50 percent. The \$12.4 billion GSA estimate falls within this range, representing 33 percent of the total fiscal year 1999 information technology obligations of \$37.6 billion. One limitation of these ranges is that they are based on gross classifications of information technology obligations and do not provide the level of disaggregation necessary to parallel the GSA data assessment. As a result, the two scenarios likely include expenditures on products and services that would not be effected by the final rule to a higher degree than the data obtained from GSA.

The degree to which the potential understatement of baseline spending leads to an understatement of the cost of the final rule is unclear. Some of the components of the estimated cost of the final rule rely heavily on the level of Federal spending while others are independent of this number.

**Estimated Cost of the Final Rule**

The regulatory assessment includes both direct and opportunity costs associated with the final rule. Major sources of cost include:

- Costs of modifying electronic and information technology to meet the substantive requirements of the standards;
- Training of staff, both Federal and manufacturers, to market, support, and

use technologies modified in response to the standards; and

- Translation of documentation and instructions into alternate formats.

The direct costs that were quantified are shown in Table 1. The total quantified costs to society range from \$177 million to \$1,068 million annually. The Federal proportion of these costs is estimated to range between \$85 million and \$691 million. The ability of manufacturers, especially software manufacturers, to distribute these costs over the general consumer population will determine the actual proportion shared by the Federal government. Assuming that the addition of accessibility features add value to the products outside the Federal government, it is expected that the costs will be distributed across society thereby setting a lower bound cost to the Federal government of \$85 million. If manufacturers do not distribute the costs across society, the upper bound of the Federal cost will increase to an estimated \$1,068 million. These costs must be placed in appropriate context by comparing them with the total Federal expenditures for information technology. By comparison, the lower and upper bound of the incremental costs represent a range of 0.23 percent to 2.8 percent of the \$37.6 billion spent by the Federal government on information technology in fiscal year 1999. Although the regulatory assessment does not analyze the timing of expenditures or reductions in costs over time, it is expected that the costs will decrease over time as a proportion of total electronic and information technology spending.

TABLE 1

Electronic and information technology	Lower bound cost estimates (millions)	Upper bound cost estimates (millions)
General Office Software .....	\$110	\$456
Mission Specific Software .....	10	52
Compatible Hardware Products .....	.....	337
Document Management Products .....	56	222
Microphotographic Products .....	0.1	0.4
Other Miscellaneous Products .....	0.2	1
<b>Total Social Cost .....</b>	<b>177</b>	<b>1,068</b>
<b>Estimated Federal Proportion .....</b>	<b>85</b>	<b>1,691</b>

<sup>1</sup> As noted above, if manufacturers do not distribute the costs across society, the upper bound of the Federal cost will increase to an estimated \$1,068 million.

Accessible alternatives are available to satisfy the requirements of the final rule for many types of electronic and information technologies, particularly computers and software products. Some

electronic and information technology products will require modifications to meet the requirements of the final standards.

For many types of electronic and information technology, the final rule focuses on compatibility with existing and future assistive devices, such as screen readers. The final rule does not

require that assistive technologies be provided universally. Provision of assistive technologies is still governed by the reasonable accommodation requirements contained in sections 501 and 504 of the Rehabilitation Act. Section 508 does not require that assistive devices be purchased, but it does require that covered electronic and information technology be capable of having such devices added at some later time as necessary.

Software products represent the largest part of the estimated costs. The regulatory assessment assumes that Federal software expenditures can be divided into two major subcategories: general office applications and mission-specific applications. Internet applications are assumed to be represented within each of these subcategories. General office applications include operating systems, wordprocessors, and spreadsheets, and are assumed to represent 80 percent of the total software category. The remaining 20 percent covers mission-specific or proprietary applications that have limited distribution outside the Federal government. Within each subcategory, the estimated costs of the final rule are distributed according to the level or degree of accessibility already being achieved in the private sector.

The general office application subcategory is broken into three groups based on discussions with several industry experts. The first 30 percent is expected to require very little modification to satisfy the final standards and therefore no incremental cost is associated with this group. The middle 40 percent is expected to require minor to medium alterations to satisfy the final rule. The cost of modifying a particular general office application in this category is estimated to be in the range of 0.4 percent to 1 percent based on discussions with several manufacturers. This assumption is based on the ratio of employees dedicated to accessibility issues. The methodology uses employee classification as a proxy for cost or expense of accessibility research and development, labor, and design that are all factored into the final product cost. The remaining 30 percent is expected to require significant modifications to meet the requirements of the final rule, which is estimated to cost in the range of 1 percent to 5 percent based on discussion with industry experts.

The regulatory assessment assumes that the remaining 20 percent of the software products purchased by the Federal government represent proprietary or mission-specific software

with limited distribution outside the government. These products will require significant modification to satisfy the final rule. Based on discussions with industry experts, the cost increase associated with achieving the level of accessibility required by the final rule is estimated to range from 1 percent to 5 percent.

Estimated Benefits of the Final Rule

The benefits associated with the final rule results from increased access to electronic and information technology for Federal employees with disabilities and members of the public seeking Federal information provided using electronic and information technology. This increased access reduces barriers to employment in the Federal government for persons with disabilities, reduces the probability that Federal employees with disabilities will be underemployed, and increases the productivity of Federal work teams. The final standards may also have benefits for people outside the Federal workforce, both with and without disabilities, as a result of spillover of technology from the Federal government to the rest of society.

Two methods are presented in the regulatory assessment for evaluating the quantifiable benefits of the final rule. The first is a wage gap analysis that attempts to measure the difference in wages between the general Federal workforce and Federal workers with targeted and reportable disabilities. While this analysis is limited to white collar Federal workers due to data constraints, the potential change in productivity is measured by the difference between the weighted average salary for all white collar Federal employees and the average within the two disability classes. This assumes that an increase in accessibility will help diminish this wage gap by increasing worker productivity.

The alternative is a team based approach for measuring the productivity of Federal workers. This approach is based on the assumption that a Federal workers wage rate reflects their productivity and the scarcity of their skills in the labor market. However this may not apply to Federal wage rates, thus the average productivity of a Federal team is assumed to be equivalent to the average Federal wage rate. Based on this average rate, it is assumed that the final rule will produce an increase in productivity ranging between 5 percent and 10 percent.

Since no data have been identified to support the increase in productivity in the team based approach, the wage gap analysis is used to represent the benefits generated by the final rule shown in

Table 2. Keeping in mind certain data limitations with this analysis, the benefits derived from the wage gap method do not account for benefits that may be accrued by the general public or other Federal workers due to spillover effects of increased accessibility resulting from the final standards.

TABLE 2

Productivity increase	Aggregate benefits range (millions)
Lower Bound .....	.....
Upper Bound .....	\$466

Not all government policies are based on maximizing economic efficiency. Some policies are based on furthering the rights of certain classes of individuals to achieve more equitable results, regardless of the effect on economic efficiency. Accessibility to electronic information and technology is an essential component of civil rights for persons with disabilities. The final rule will ensure that Federal employees with disabilities will have access to electronic and information technology used by the Federal government that is comparable to that of Federal employees without disabilities; and that members of the public with disabilities will have comparable access to information and services provided to members of the public without disabilities through the use of Federal electronic and information technology.

Based on Bureau of Census statistics from 1994, 20.6 percent or 54 million persons in the United States have some level of disability. By increasing the accessibility of electronic and information technology used by the Federal government, the final rule may also improve future employment opportunities in the Federal government for persons with disabilities currently employed by the Federal government, and for persons that are working in the private sector or are classified as not being active in the labor force. Increasing the accessibility of electronic and information technology increases the productivity and mobility of the disabled sector of the labor pool that, under existing conditions, may face barriers to their employment and advancement within the Federal workforce and in the private sector. The standards will allow other Federal workers who become temporarily disabled to maintain their productivity during their illness. In addition, accessible features of electronic and information technology may also enhance the productivity of Federal



workers without disabilities and therefore be a benefit to the workforce in general.

#### *Regulatory Flexibility Act*

The Regulatory Flexibility Act (RFA) (5 U.S.C. 601 *et seq.*), as amended, generally requires Federal agencies to conduct a regulatory flexibility analysis describing the impact of the regulatory action on small entities. However, section 605(b) of the RFA, provides that a regulatory flexibility analysis is not required if the rule will not have a significant economic impact on a substantial number of small entities. This final rule imposes requirements only on the Federal Government and the Board certifies that it does not impose any requirements on small entities. As a result, a regulatory flexibility analysis is not required.

#### *Executive Order 13132: Federalism*

By its terms, this rule applies to the development, procurement, maintenance or use by Federal agencies of electronic and information technology. As such, the Board believes that it does not have federalism implications within the meaning of Executive Order 13132. In the proposed rule, the Board referred to the Department of Education's interpretation of the Assistive Technology Act (the "AT Act"), 29 U.S.C. 3001. The Board received approximately five responses from various State organizations regarding the relationship between the AT Act and Section 508 of the Rehabilitation Act. The Department of Education, the agency responsible for administering the AT Act, has advised the Board that it plans to work with States to address the relationship between the AT Act and section 508, and specifically how the Board's standards would apply to the States for purposes of the AT Act. As part of this process, the Department of Education will address issues raised in the five responses the Board received on the relationship between the AT Act and section 508 of the Rehabilitation Act.

#### *Unfunded Mandates Reform Act*

The Unfunded Mandates Reform Act does not apply to proposed or final rules that enforce constitutional rights of individuals or enforce any statutory rights that prohibit discrimination on the basis of race, color, sex, national origin, age, handicap, or disability. Since the final rule is issued under the authority of section 508, part of title V of the Rehabilitation Act of 1973 which establishes civil rights protections for individuals with disabilities, an

assessment of the rule's effects on State, local, and tribal governments, and the private sector is not required by the Unfunded Mandates Reform Act.

#### **List of Subjects in 36 CFR Part 1194**

Civil rights, Communications equipment, Computer technology, Electronic products, Government employees, Government procurement, Individuals with disabilities, Reporting and recordkeeping requirements, Telecommunications.

**Thurman M. Davis, Sr.,**

*Chair, Architectural and Transportation Barriers Compliance Board.*

For the reasons set forth in the preamble, the Board adds part 1194 to Chapter XI of title 36 of the Code of Federal Regulations to read as follows:

### **PART 1194—ELECTRONIC AND INFORMATION TECHNOLOGY ACCESSIBILITY STANDARDS**

#### **Subpart A—General**

Sec.

- 1194.1 Purpose.
- 1194.2 Application.
- 1194.3 General exceptions.
- 1194.4 Definitions.
- 1194.5 Equivalent facilitation.

#### **Subpart B—Technical Standards**

- 1194.21 Software applications and operating systems.
- 1194.22 Web-based intranet and internet information and applications.
- 1194.23 Telecommunications products.
- 1194.24 Video and multimedia products.
- 1194.25 Self contained, closed products.
- 1194.26 Desktop and portable computers.

#### **Subpart C—Functional Performance Criteria**

- 1194.31 Functional performance criteria.

#### **Subpart D—Information, Documentation, and Support**

- 1194.41 Information, documentation, and support.

#### **Figures to Part 1194**

**Authority:** 29 U.S.C. 794d.

#### **Subpart A—General**

##### **§ 1194.1 Purpose.**

The purpose of this part is to implement section 508 of the Rehabilitation Act of 1973, as amended (29 U.S.C. 794d). Section 508 requires that when Federal agencies develop, procure, maintain, or use electronic and information technology, Federal employees with disabilities have access to and use of information and data that is comparable to the access and use by Federal employees who are not individuals with disabilities, unless an undue burden would be imposed on the agency. Section 508 also requires that

individuals with disabilities, who are members of the public seeking information or services from a Federal agency, have access to and use of information and data that is comparable to that provided to the public who are not individuals with disabilities, unless an undue burden would be imposed on the agency.

##### **§ 1194.2 Application.**

(a) Products covered by this part shall comply with all applicable provisions of this part. When developing, procuring, maintaining, or using electronic and information technology, each agency shall ensure that the products comply with the applicable provisions of this part, unless an undue burden would be imposed on the agency.

(1) When compliance with the provisions of this part imposes an undue burden, agencies shall provide individuals with disabilities with the information and data involved by an alternative means of access that allows the individual to use the information and data.

(2) When procuring a product, if an agency determines that compliance with any provision of this part imposes an undue burden, the documentation by the agency supporting the procurement shall explain why, and to what extent, compliance with each such provision creates an undue burden.

(b) When procuring a product, each agency shall procure products which comply with the provisions in this part when such products are available in the commercial marketplace or when such products are developed in response to a Government solicitation. Agencies cannot claim a product as a whole is not commercially available because no product in the marketplace meets all the standards. If products are commercially available that meet some but not all of the standards, the agency must procure the product that best meets the standards.

(c) Except as provided by § 1194.3(b), this part applies to electronic and information technology developed, procured, maintained, or used by agencies directly or used by a contractor under a contract with an agency which requires the use of such product, or requires the use, to a significant extent, of such product in the performance of a service or the furnishing of a product.

##### **§ 1194.3 General exceptions.**

(a) This part does not apply to any electronic and information technology operated by agencies, the function, operation, or use of which involves intelligence activities, cryptologic activities related to national security,

command and control of military forces, equipment that is an integral part of a weapon or weapons system, or systems which are critical to the direct fulfillment of military or intelligence missions. Systems which are critical to the direct fulfillment of military or intelligence missions do not include a system that is to be used for routine administrative and business applications (including payroll, finance, logistics, and personnel management applications).

(b) This part does not apply to electronic and information technology that is acquired by a contractor incidental to a contract.

(c) Except as required to comply with the provisions in this part, this part does not require the installation of specific accessibility-related software or the attachment of an assistive technology device at a workstation of a Federal employee who is not an individual with a disability.

(d) When agencies provide access to the public to information or data through electronic and information technology, agencies are not required to make products owned by the agency available for access and use by individuals with disabilities at a location other than that where the electronic and information technology is provided to the public, or to purchase products for access and use by individuals with disabilities at a location other than that where the electronic and information technology is provided to the public.

(e) This part shall not be construed to require a fundamental alteration in the nature of a product or its components.

(f) Products located in spaces frequented only by service personnel for maintenance, repair, or occasional monitoring of equipment are not required to comply with this part.

#### § 1194.4 Definitions.

The following definitions apply to this part:

*Agency.* Any Federal department or agency, including the United States Postal Service.

*Alternate formats.* Alternate formats usable by people with disabilities may include, but are not limited to, Braille, ASCII text, large print, recorded audio, and electronic formats that comply with this part.

*Alternate methods.* Different means of providing information, including product documentation, to people with disabilities. Alternate methods may include, but are not limited to, voice, fax, relay service, TTY, Internet posting, captioning, text-to-speech synthesis, and audio description.

*Assistive technology.* Any item, piece of equipment, or system, whether acquired commercially, modified, or customized, that is commonly used to increase, maintain, or improve functional capabilities of individuals with disabilities.

*Electronic and information technology.* Includes information technology and any equipment or interconnected system or subsystem of equipment, that is used in the creation, conversion, or duplication of data or information. The term electronic and information technology includes, but is not limited to, telecommunications products (such as telephones), information kiosks and transaction machines, World Wide Web sites, multimedia, and office equipment such as copiers and fax machines. The term does not include any equipment that contains embedded information technology that is used as an integral part of the product, but the principal function of which is not the acquisition, storage, manipulation, management, movement, control, display, switching, interchange, transmission, or reception of data or information. For example, HVAC (heating, ventilation, and air conditioning) equipment such as thermostats or temperature control devices, and medical equipment where information technology is integral to its operation, are not information technology.

*Information technology.* Any equipment or interconnected system or subsystem of equipment, that is used in the automatic acquisition, storage, manipulation, management, movement, control, display, switching, interchange, transmission, or reception of data or information. The term information technology includes computers, ancillary equipment, software, firmware and similar procedures, services (including support services), and related resources.

*Operable controls.* A component of a product that requires physical contact for normal operation. Operable controls include, but are not limited to, mechanically operated controls, input and output trays, card slots, keyboards, or keypads.

*Product.* Electronic and information technology.

*Self Contained, Closed Products.* Products that generally have embedded software and are commonly designed in such a fashion that a user cannot easily attach or install assistive technology. These products include, but are not limited to, information kiosks and information transaction machines, copiers, printers, calculators, fax

machines, and other similar types of products.

*Telecommunications.* The transmission, between or among points specified by the user, of information of the user's choosing, without change in the form or content of the information as sent and received.

*TTY.* An abbreviation for teletypewriter. Machinery or equipment that employs interactive text based communications through the transmission of coded signals across the telephone network. TTYs may include, for example, devices known as TDDs (telecommunication display devices or telecommunication devices for deaf persons) or computers with special modems. TTYs are also called text telephones.

*Undue burden.* Undue burden means significant difficulty or expense. In determining whether an action would result in an undue burden, an agency shall consider all agency resources available to the program or component for which the product is being developed, procured, maintained, or used.

#### § 1194.5 Equivalent facilitation.

Nothing in this part is intended to prevent the use of designs or technologies as alternatives to those prescribed in this part provided they result in substantially equivalent or greater access to and use of a product for people with disabilities.

#### Subpart B—Technical Standards

##### § 1194.21 Software applications and operating systems.

(a) When software is designed to run on a system that has a keyboard, product functions shall be executable from a keyboard where the function itself or the result of performing a function can be discerned textually.

(b) Applications shall not disrupt or disable activated features of other products that are identified as accessibility features, where those features are developed and documented according to industry standards. Applications also shall not disrupt or disable activated features of any operating system that are identified as accessibility features where the application programming interface for those accessibility features has been documented by the manufacturer of the operating system and is available to the product developer.

(c) A well-defined on-screen indication of the current focus shall be provided that moves among interactive interface elements as the input focus changes. The focus shall be

programmatically exposed so that assistive technology can track focus and focus changes.

(d) Sufficient information about a user interface element including the identity, operation and state of the element shall be available to assistive technology. When an image represents a program element, the information conveyed by the image must also be available in text.

(e) When bitmap images are used to identify controls, status indicators, or other programmatic elements, the meaning assigned to those images shall be consistent throughout an application's performance.

(f) Textual information shall be provided through operating system functions for displaying text. The minimum information that shall be made available is text content, text input caret location, and text attributes.

(g) Applications shall not override user selected contrast and color selections and other individual display attributes.

(h) When animation is displayed, the information shall be displayable in at least one non-animated presentation mode at the option of the user.

(i) Color coding shall not be used as the only means of conveying information, indicating an action, prompting a response, or distinguishing a visual element.

(j) When a product permits a user to adjust color and contrast settings, a variety of color selections capable of producing a range of contrast levels shall be provided.

(k) Software shall not use flashing or blinking text, objects, or other elements having a flash or blink frequency greater than 2 Hz and lower than 55 Hz.

(l) When electronic forms are used, the form shall allow people using assistive technology to access the information, field elements, and functionality required for completion and submission of the form, including all directions and cues.

**§ 1194.22 Web-based intranet and internet information and applications.**

(a) A text equivalent for every non-text element shall be provided (e.g., via "alt", "longdesc", or in element content).

(b) Equivalent alternatives for any multimedia presentation shall be synchronized with the presentation.

(c) Web pages shall be designed so that all information conveyed with color is also available without color, for example from context or markup.

(d) Documents shall be organized so they are readable without requiring an associated style sheet.

(e) Redundant text links shall be provided for each active region of a server-side image map.

(f) Client-side image maps shall be provided instead of server-side image maps except where the regions cannot be defined with an available geometric shape.

(g) Row and column headers shall be identified for data tables.

(h) Markup shall be used to associate data cells and header cells for data tables that have two or more logical levels of row or column headers.

(i) Frames shall be titled with text that facilitates frame identification and navigation.

(j) Pages shall be designed to avoid causing the screen to flicker with a frequency greater than 2 Hz and lower than 55 Hz.

(k) A text-only page, with equivalent information or functionality, shall be provided to make a web site comply with the provisions of this part, when compliance cannot be accomplished in any other way. The content of the text-only page shall be updated whenever the primary page changes.

(l) When pages utilize scripting languages to display content, or to create interface elements, the information provided by the script shall be identified with functional text that can be read by assistive technology.

(m) When a web page requires that an applet, plug-in or other application be present on the client system to interpret page content, the page must provide a link to a plug-in or applet that complies with § 1194.21(a) through (l).

(n) When electronic forms are designed to be completed on-line, the form shall allow people using assistive technology to access the information, field elements, and functionality required for completion and submission of the form, including all directions and cues.

(o) A method shall be provided that permits users to skip repetitive navigation links.

(p) When a timed response is required, the user shall be alerted and given sufficient time to indicate more time is required.

**Note to § 1194.22:** 1. The Board interprets paragraphs (a) through (k) of this section as consistent with the following priority 1 Checkpoints of the Web Content Accessibility Guidelines 1.0 (WCAG 1.0) (May 5, 1999) published by the Web Accessibility Initiative of the World Wide Web Consortium:

Section 1194.22 paragraph	WCAG 1.0 checkpoint
(a) .....	1.1
(b) .....	1.4
(c) .....	2.1
(d) .....	6.1
(e) .....	1.2
(f) .....	9.1
(g) .....	5.1
(h) .....	5.2
(i) .....	12.1
(j) .....	7.1
(k) .....	11.4

2. Paragraphs (l), (m), (n), (o), and (p) of this section are different from WCAG 1.0. Web pages that conform to WCAG 1.0, level A (i.e., all priority 1 checkpoints) must also meet paragraphs (l), (m), (n), (o), and (p) of this section to comply with this section. WCAG 1.0 is available at <http://www.w3.org/TR/1999/WAI-WEBCONTENT-19990505>.

**§ 1194.23 Telecommunications products.**

(a) Telecommunications products or systems which provide a function allowing voice communication and which do not themselves provide a TTY functionality shall provide a standard non-acoustic connection point for TTYs. Microphones shall be capable of being turned on and off to allow the user to intermix speech with TTY use.

(b) Telecommunications products which include voice communication functionality shall support all commonly used cross-manufacturer non-proprietary standard TTY signal protocols.

(c) Voice mail, auto-attendant, and interactive voice response telecommunications systems shall be usable by TTY users with their TTYs.

(d) Voice mail, messaging, auto-attendant, and interactive voice response telecommunications systems that require a response from a user within a time interval, shall give an alert when the time interval is about to run out, and shall provide sufficient time for the user to indicate more time is required.

(e) Where provided, caller identification and similar telecommunications functions shall also be available for users of TTYs, and for users who cannot see displays.

(f) For transmitted voice signals, telecommunications products shall give a gain adjustable up to a minimum of 20 dB. For incremental volume control, at least one intermediate step of 12 dB of gain shall be provided.

(g) If the telecommunications product allows a user to adjust the receive volume, a function shall be provided to automatically reset the volume to the default level after every use.

(h) Where a telecommunications product delivers output by an audio transducer which is normally held up to the ear, a means for effective magnetic wireless coupling to hearing technologies shall be provided.

(i) Interference to hearing technologies (including hearing aids, cochlear implants, and assistive listening devices) shall be reduced to the lowest possible level that allows a user of hearing technologies to utilize the telecommunications product.

(j) Products that transmit or conduct information or communication, shall pass through cross-manufacturer, non-proprietary, industry-standard codes, translation protocols, formats or other information necessary to provide the information or communication in a usable format. Technologies which use encoding, signal compression, format transformation, or similar techniques shall not remove information needed for access or shall restore it upon delivery.

(k) Products which have mechanically operated controls or keys, shall comply with the following:

(1) Controls and keys shall be tactilely discernible without activating the controls or keys.

(2) Controls and keys shall be operable with one hand and shall not require tight grasping, pinching, or twisting of the wrist. The force required to activate controls and keys shall be 5 lbs. (22.2 N) maximum.

(3) If key repeat is supported, the delay before repeat shall be adjustable to at least 2 seconds. Key repeat rate shall be adjustable to 2 seconds per character.

(4) The status of all locking or toggle controls or keys shall be visually discernible, and discernible either through touch or sound.

#### § 1194.24 Video and multimedia products.

(a) All analog television displays 13 inches and larger, and computer equipment that includes analog television receiver or display circuitry, shall be equipped with caption decoder circuitry which appropriately receives, decodes, and displays closed captions from broadcast, cable, videotape, and DVD signals. As soon as practicable, but not later than July 1, 2002, widescreen digital television (DTV) displays measuring at least 7.8 inches vertically, DTV sets with conventional displays measuring at least 13 inches vertically, and stand-alone DTV tuners, whether or not they are marketed with display screens, and computer equipment that includes DTV receiver or display circuitry, shall be equipped with caption decoder circuitry which appropriately receives, decodes, and

displays closed captions from broadcast, cable, videotape, and DVD signals.

(b) Television tuners, including tuner cards for use in computers, shall be equipped with secondary audio program playback circuitry.

(c) All training and informational video and multimedia productions which support the agency's mission, regardless of format, that contain speech or other audio information necessary for the comprehension of the content, shall be open or closed captioned.

(d) All training and informational video and multimedia productions which support the agency's mission, regardless of format, that contain visual information necessary for the comprehension of the content, shall be audio described.

(e) Display or presentation of alternate text presentation or audio descriptions shall be user-selectable unless permanent.

#### § 1194.25 Self contained, closed products.

(a) Self contained products shall be usable by people with disabilities without requiring an end-user to attach assistive technology to the product. Personal headsets for private listening are not assistive technology.

(b) When a timed response is required, the user shall be alerted and given sufficient time to indicate more time is required.

(c) Where a product utilizes touchscreens or contact-sensitive controls, an input method shall be provided that complies with § 1194.23 (k) (1) through (4).

(d) When biometric forms of user identification or control are used, an alternative form of identification or activation, which does not require the user to possess particular biological characteristics, shall also be provided.

(e) When products provide auditory output, the audio signal shall be provided at a standard signal level through an industry standard connector that will allow for private listening. The product must provide the ability to interrupt, pause, and restart the audio at anytime.

(f) When products deliver voice output in a public area, incremental volume control shall be provided with output amplification up to a level of at least 65 dB. Where the ambient noise level of the environment is above 45 dB, a volume gain of at least 20 dB above the ambient level shall be user selectable. A function shall be provided to automatically reset the volume to the default level after every use.

(g) Color coding shall not be used as the only means of conveying information, indicating an action,

prompting a response, or distinguishing a visual element.

(h) When a product permits a user to adjust color and contrast settings, a range of color selections capable of producing a variety of contrast levels shall be provided.

(i) Products shall be designed to avoid causing the screen to flicker with a frequency greater than 2 Hz and lower than 55 Hz.

(j) Products which are freestanding, non-portable, and intended to be used in one location and which have operable controls shall comply with the following:

(1) The position of any operable control shall be determined with respect to a vertical plane, which is 48 inches in length, centered on the operable control, and at the maximum protrusion of the product within the 48 inch length (see Figure 1 of this part).

(2) Where any operable control is 10 inches or less behind the reference plane, the height shall be 54 inches maximum and 15 inches minimum above the floor.

(3) Where any operable control is more than 10 inches and not more than 24 inches behind the reference plane, the height shall be 46 inches maximum and 15 inches minimum above the floor.

(4) Operable controls shall not be more than 24 inches behind the reference plane (see Figure 2 of this part).

#### § 1194.26 Desktop and portable computers.

(a) All mechanically operated controls and keys shall comply with § 1194.23(k)(1) through (4).

(b) If a product utilizes touchscreens or touch-operated controls, an input method shall be provided that complies with § 1194.23 (k) (1) through (4).

(c) When biometric forms of user identification or control are used, an alternative form of identification or activation, which does not require the user to possess particular biological characteristics, shall also be provided.

(d) Where provided, at least one of each type of expansion slots, ports and connectors shall comply with publicly available industry standards.

#### Subpart C—Functional Performance Criteria

##### § 1194.31 Functional performance criteria.

(a) At least one mode of operation and information retrieval that does not require user vision shall be provided, or support for assistive technology used by people who are blind or visually impaired shall be provided.

(b) At least one mode of operation and information retrieval that does not

require visual acuity greater than 20/70 shall be provided in audio and enlarged print output working together or independently, or support for assistive technology used by people who are visually impaired shall be provided.

(c) At least one mode of operation and information retrieval that does not require user hearing shall be provided, or support for assistive technology used by people who are deaf or hard of hearing shall be provided.

(d) Where audio information is important for the use of a product, at least one mode of operation and information retrieval shall be provided in an enhanced auditory fashion, or support for assistive hearing devices shall be provided.

(e) At least one mode of operation and information retrieval that does not require user speech shall be provided, or support for assistive technology used by people with disabilities shall be provided.

(f) At least one mode of operation and information retrieval that does not require fine motor control or simultaneous actions and that is operable with limited reach and strength shall be provided.

#### **Subpart D—Information, Documentation, and Support**

##### **§ 1194.41 Information, documentation, and support.**

(a) Product support documentation provided to end-users shall be made

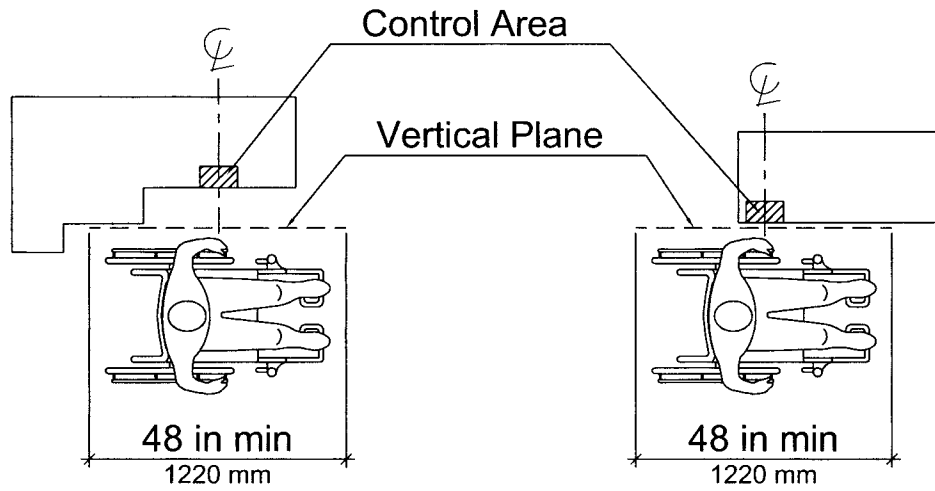
available in alternate formats upon request, at no additional charge.

(b) End-users shall have access to a description of the accessibility and compatibility features of products in alternate formats or alternate methods upon request, at no additional charge.

(c) Support services for products shall accommodate the communication needs of end-users with disabilities.

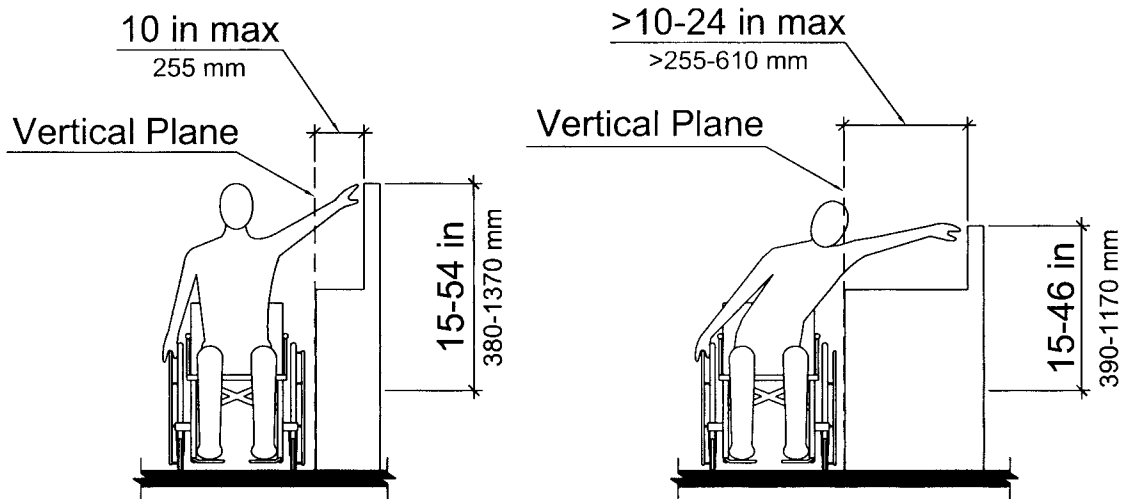
#### **Figures to Part 1194**

BILLING CODE 8150-01-P



Vertical Plane Relative to the Operable Control

Figure 1



Height of Operable Control Relative to the Vertical Plane

Figure 2