

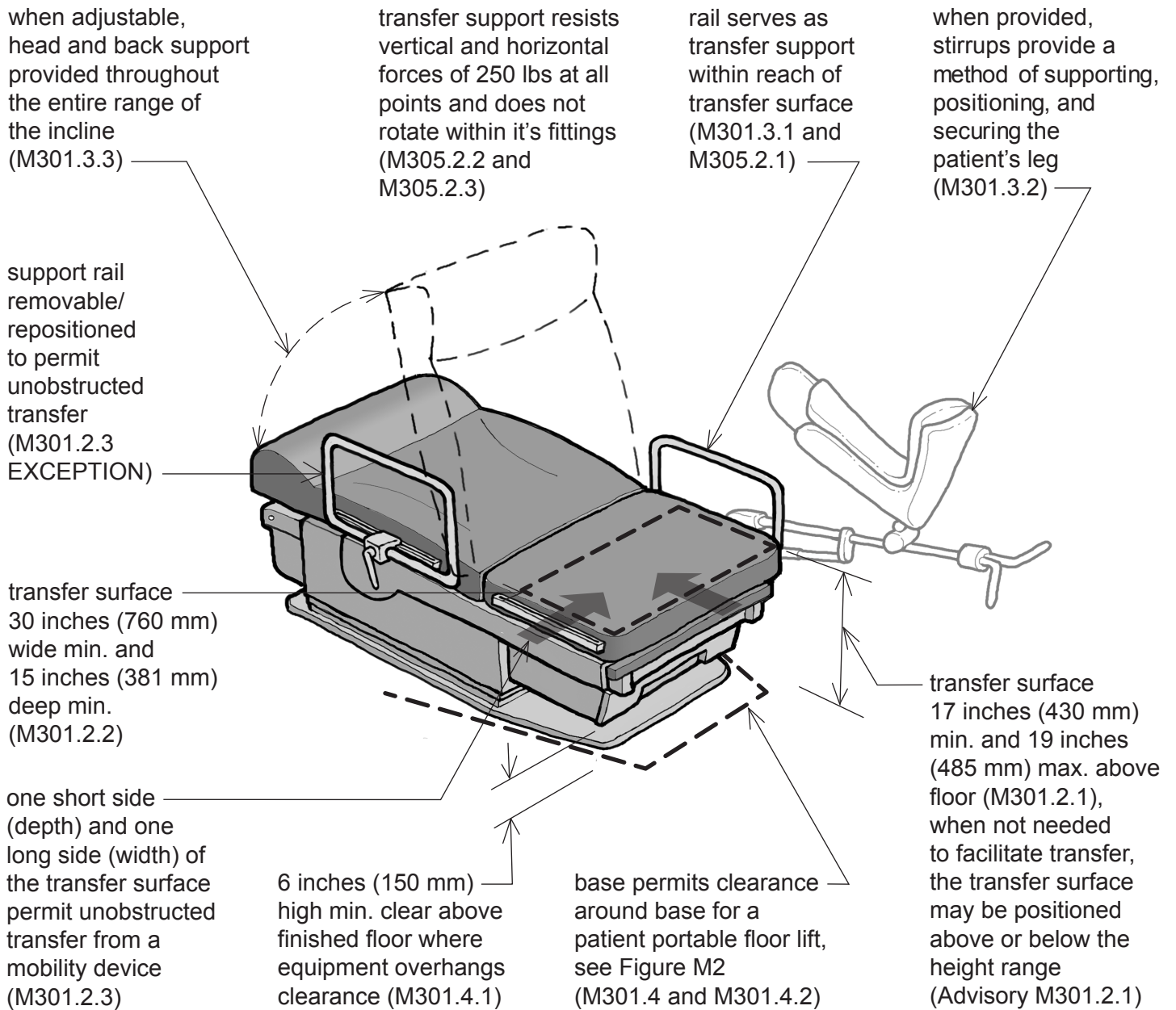


Example Applications of the Proposed Medical Diagnostic Equipment Accessibility Standards

January 23, 2012

UNITED STATES ACCESS BOARD

A FEDERAL AGENCY COMMITTED TO ACCESSIBLE DESIGN

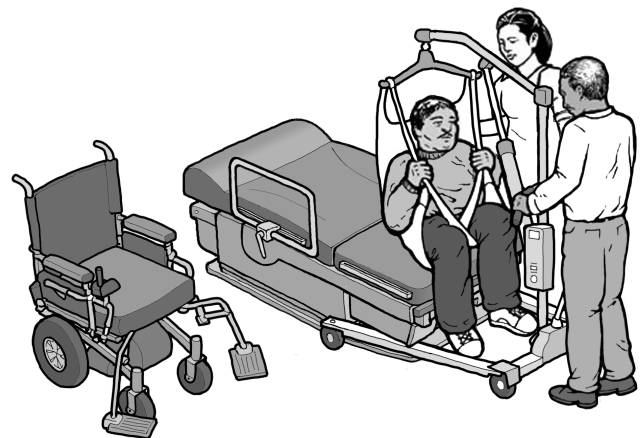
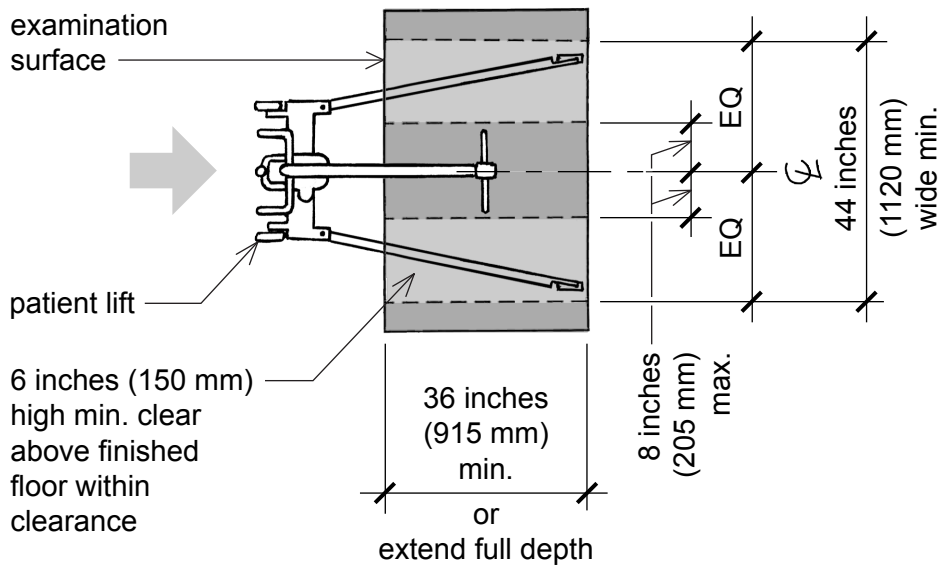
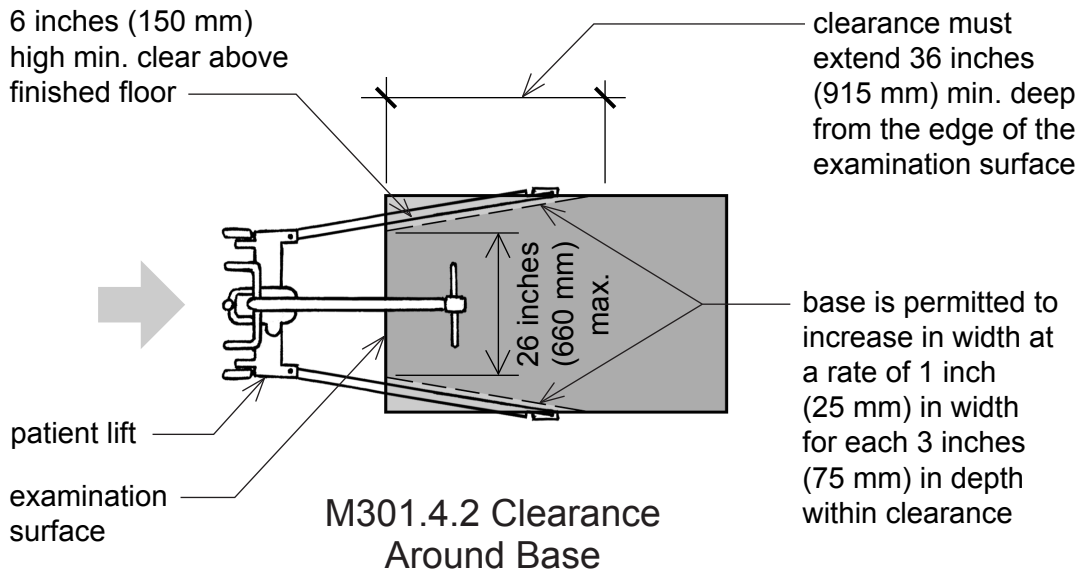


transfer to short side (depth) of transfer surface



transfer to long side (width) of transfer surface

Figure M1: Overview of M301 Diagnostic Equipment for Use by a Patient in a Supine, Prone, or Side-Lying Position



the clearances required for lift compatibility permits equipment to be usable with a patient portable floor lift

Figure M2: M301.4 Lift Compatibility
 (at Diagnostic Equipment for Use by a Patient in a Supine, Prone, or Side-Lying Position)

when adjustable,
head and back support
provided throughout
the entire range of
the incline
(M302.3.3)

transfer surface
21 inches (760 mm)
wide min. and
15 inches (381 mm)
deep min.
(M302.2.2)

armrest folds
up to permit
unobstructed transfer
(M302.2.3 EXCEPTION)

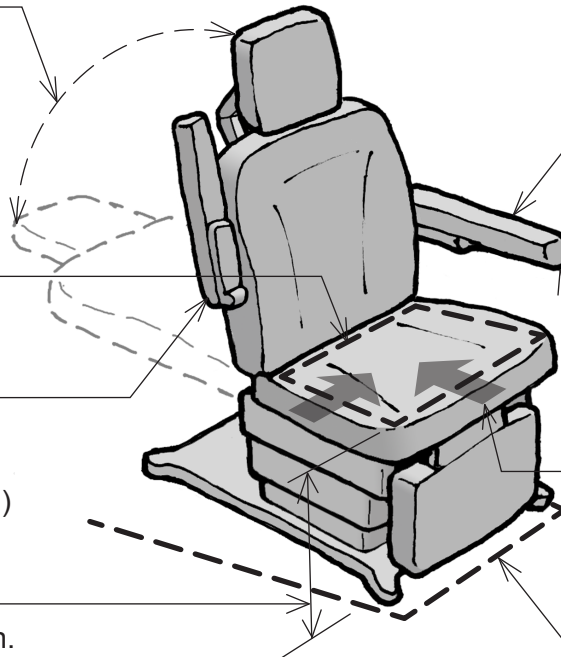
transfer surface
17 inches (430 mm) min.
and 19 inches (485 mm) max.
above floor (M302.2.1),
when not needed to facilitate
transfer, the transfer surface
may be positioned above or
below the height range
(Advisory M302.2.1)

required armrest
serves as transfer
support within reach
of transfer surface
(M302.3.1, M302.3.2,
and M305.2.1)

transfer support resists
vertical and horizontal
forces of 250 lbs at all
points and does not
rotate within it's fittings
(M305.2.2 and M305.2.3)

one short side (depth) and
one long side (width) of the
transfer surface permit
unobstructed transfer from
a mobility device
(M302.2.3)

base permits clearance
around base for a
patient portable floor lift
(M302.4 and M302.4.2)



transfer to short side (depth)
of transfer surface



transfer to long side (width)
of transfer surface

**Figure M3: Overview of M302 Diagnostic Equipment for
Use by a Patient in a Seated Position**

Where the primary use of the equipment supports more than one patient position, it must comply with the requirements for each use. The weight scale is usable by both people who are seated in wheelchairs and those who stand and must meet the requirements of both Sections M303 and M304. (M101.2)

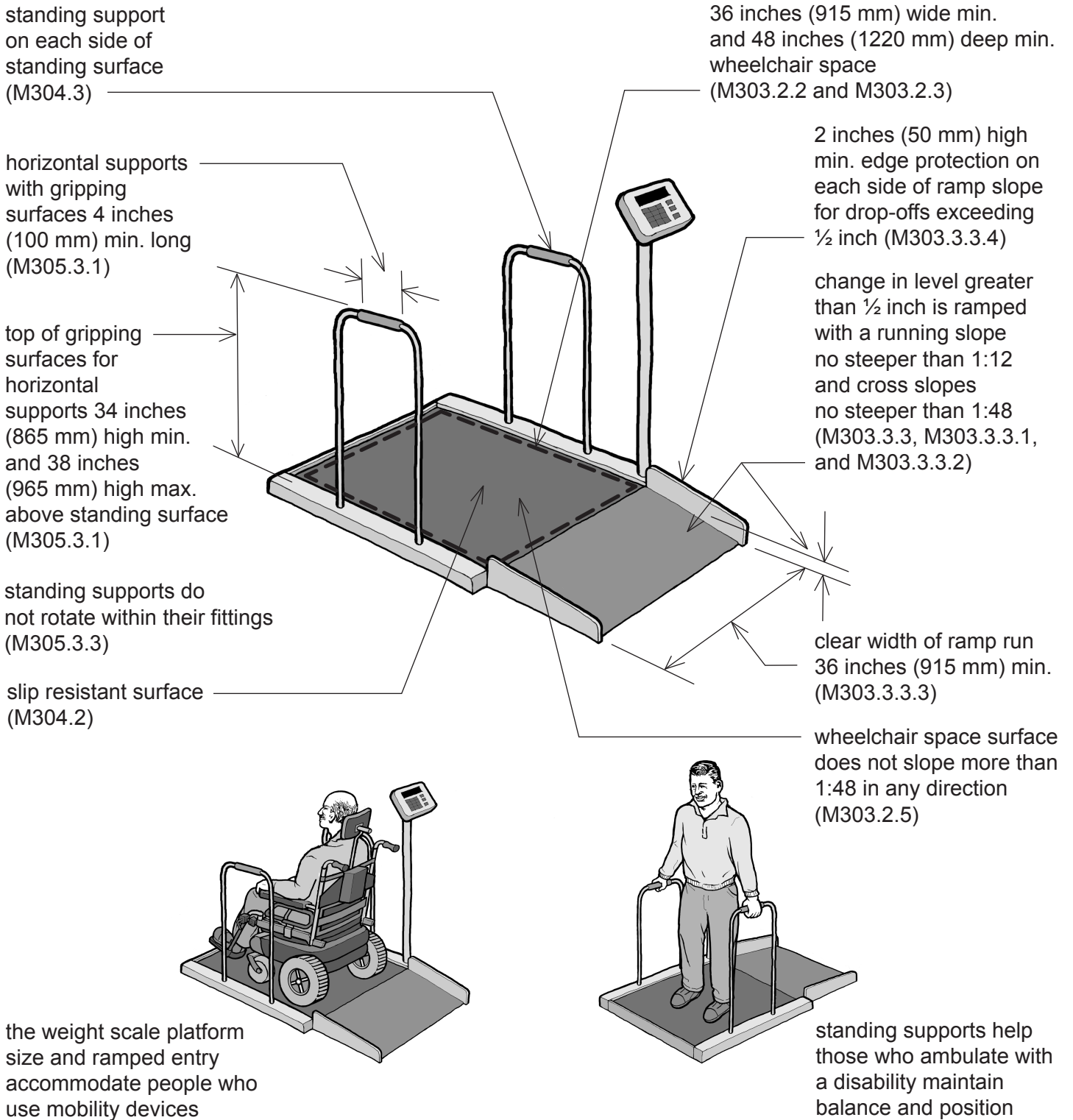


Figure M4: Overview of M303 Diagnostic Equipment for Use by a Patient While Seated in a Wheelchair and M304 Diagnostic Equipment for Use by a Patient in a Standing Position (Weight Scale Example)

Where the primary use of the equipment supports more than one patient position, it must comply with the requirements for each use. The mammography machine is usable by both people who are seated in wheelchairs and those who stand and must meet the requirements of both Sections M303 and M304. (M101.2)

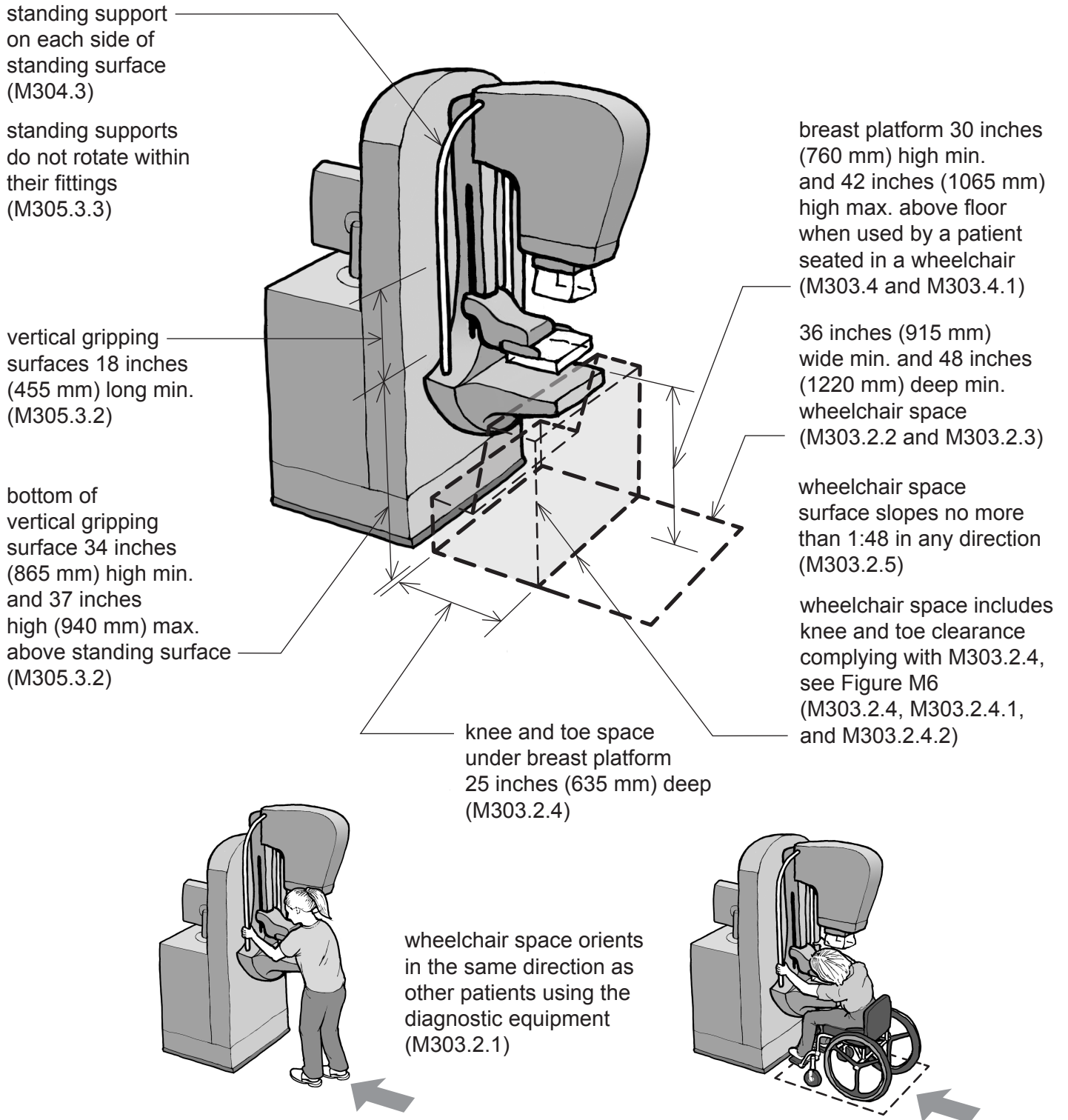
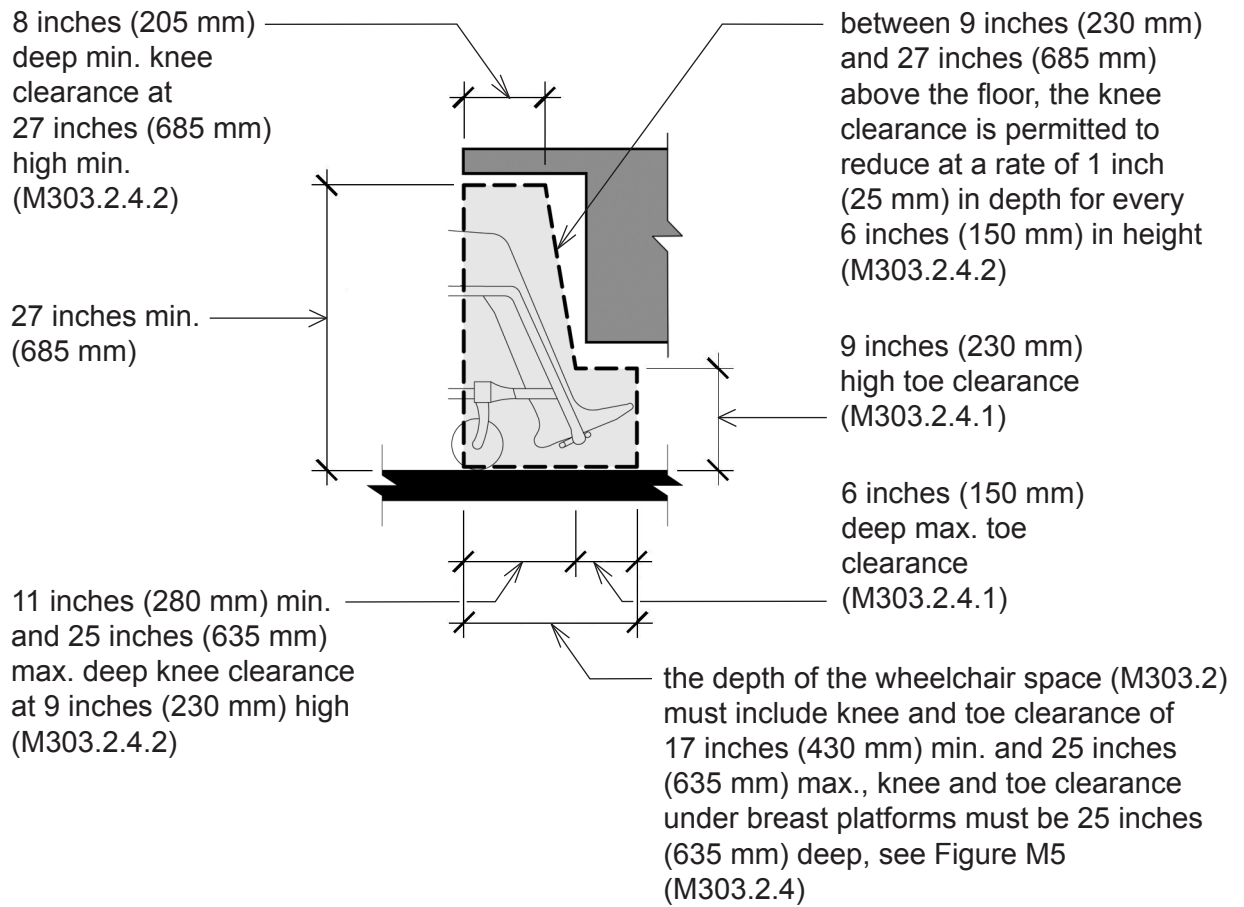


Figure M5: Overview of M303 Diagnostic Equipment for Use by a Patient While Seated in a Wheelchair and 304 Diagnostic Equipment for Use by a Patient in a Standing Position (Mammography Machine Example)



**Figure M6: M303.2.4
Knee and Toe Clearance**