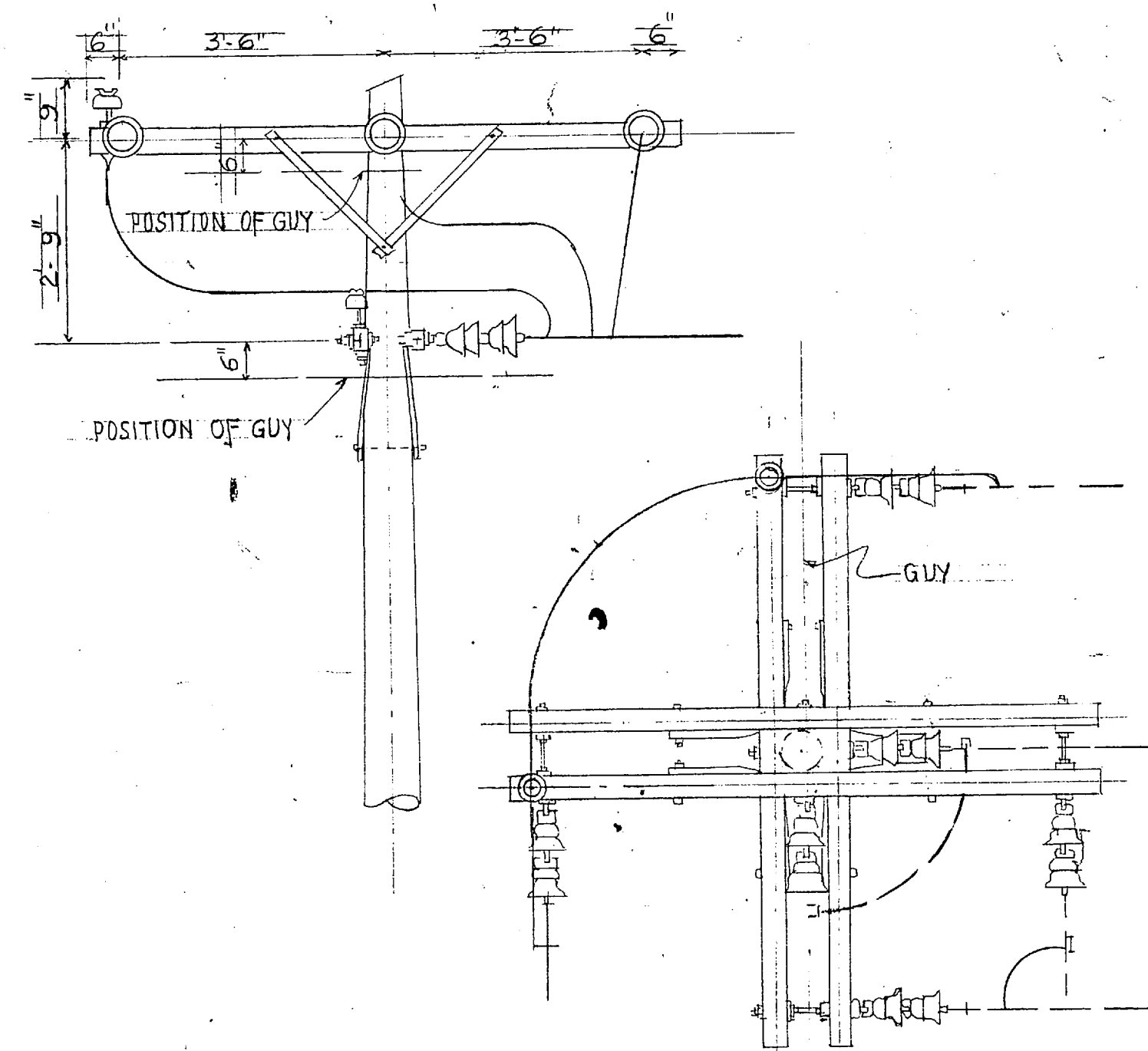
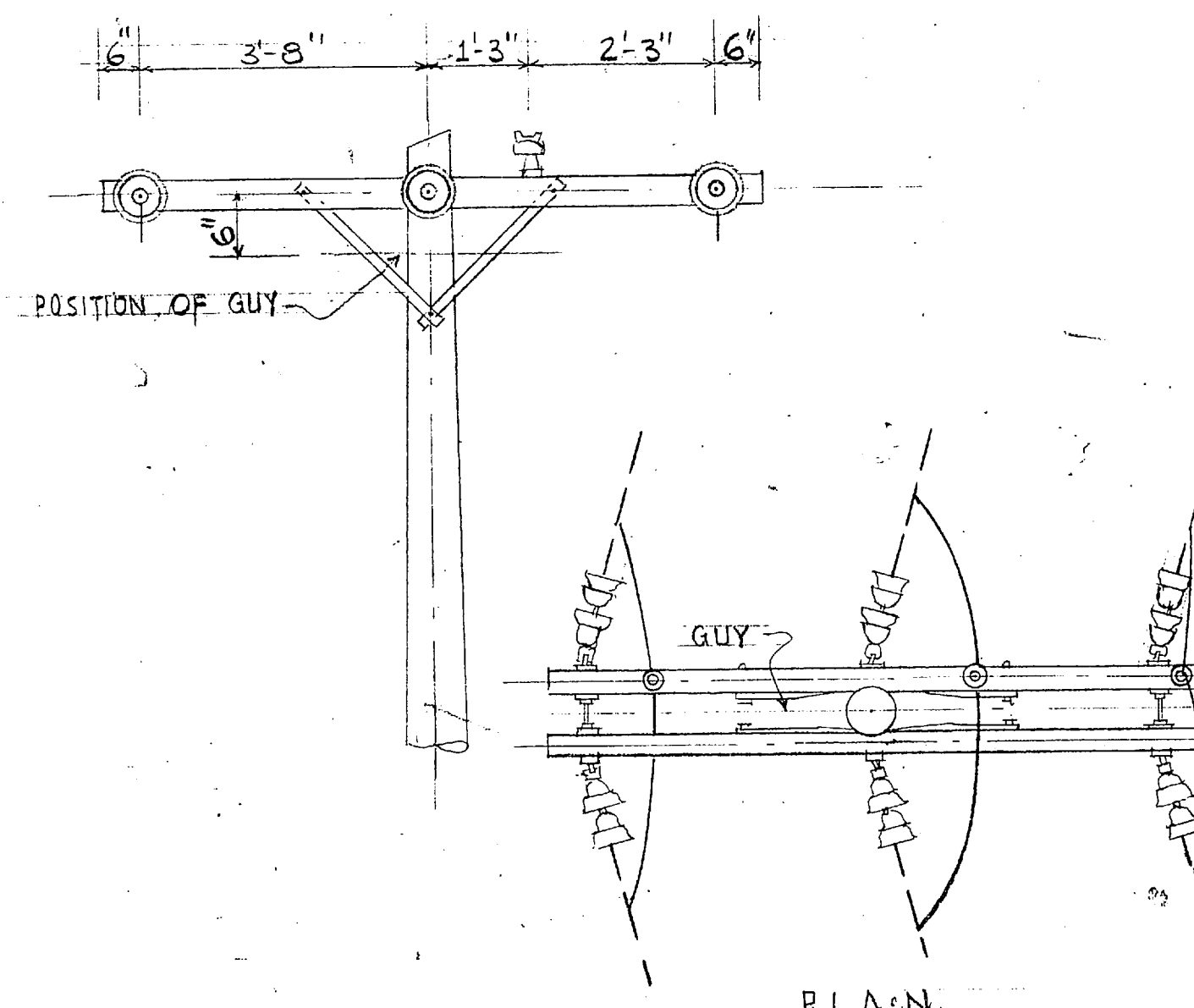


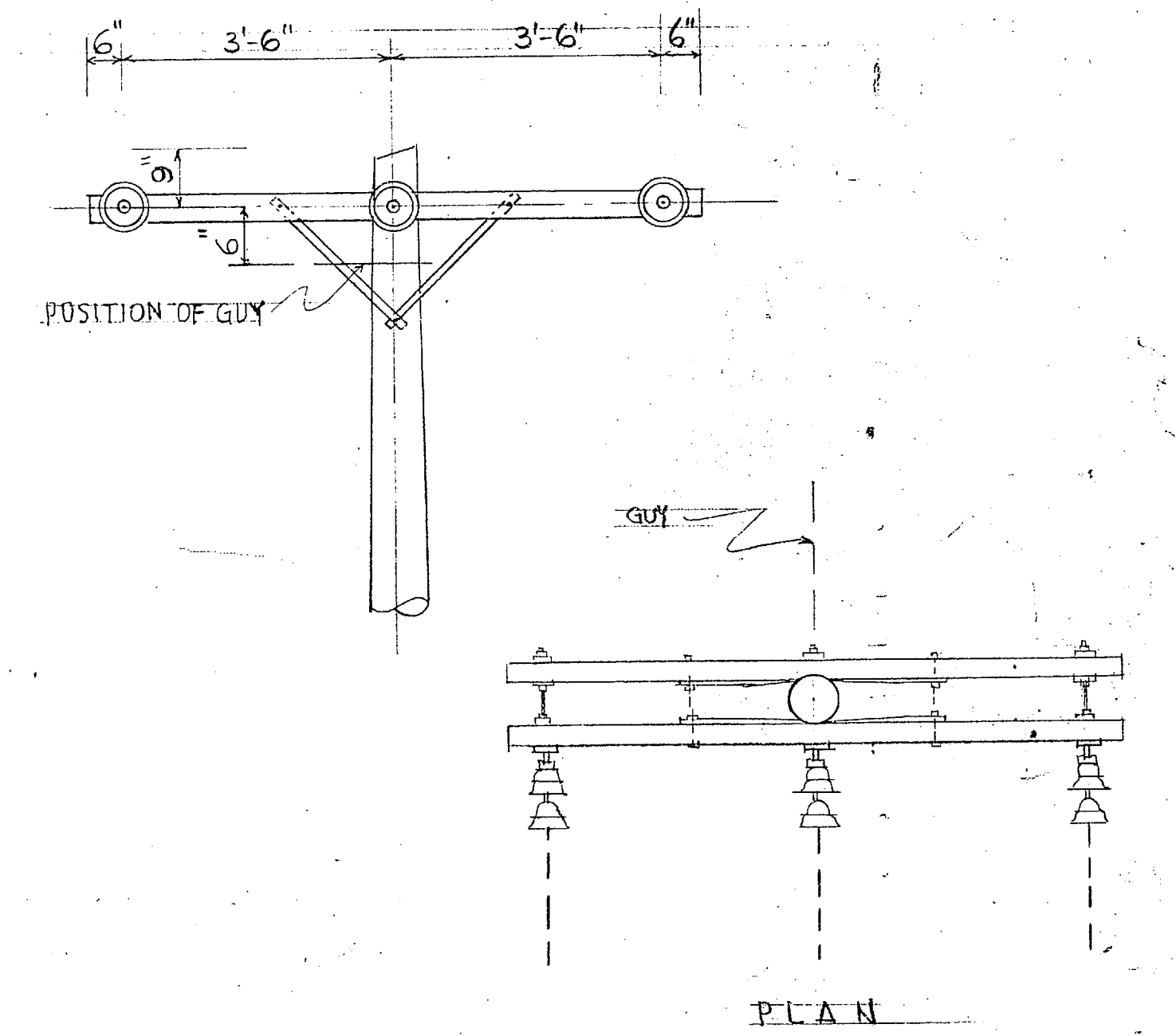
CROSSARM CONST. - 0° TO 10° ANGLE  
PRIMARY SUPPORT



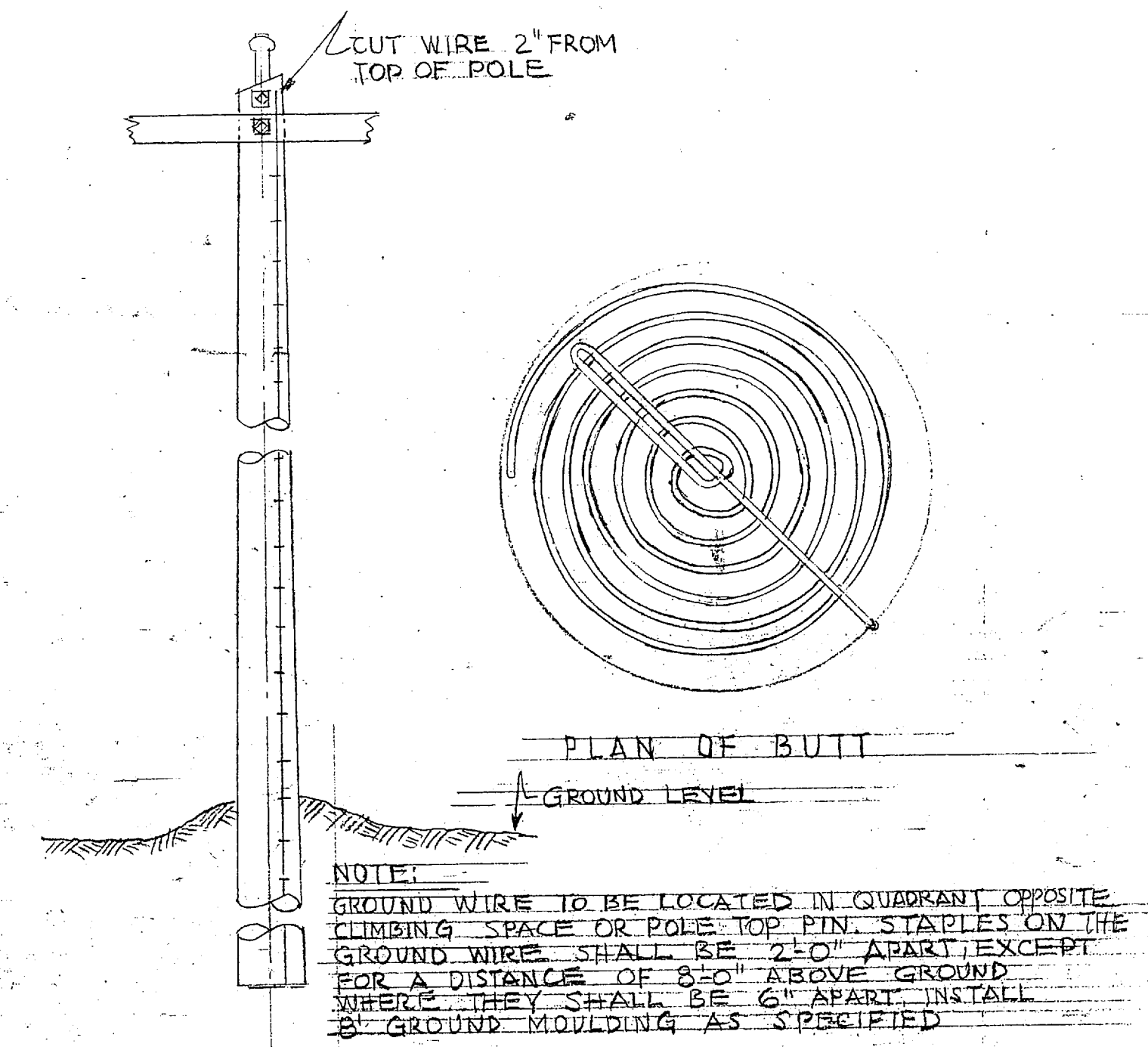
CROSSARM CONST. - 60° TO 90° ANGLE



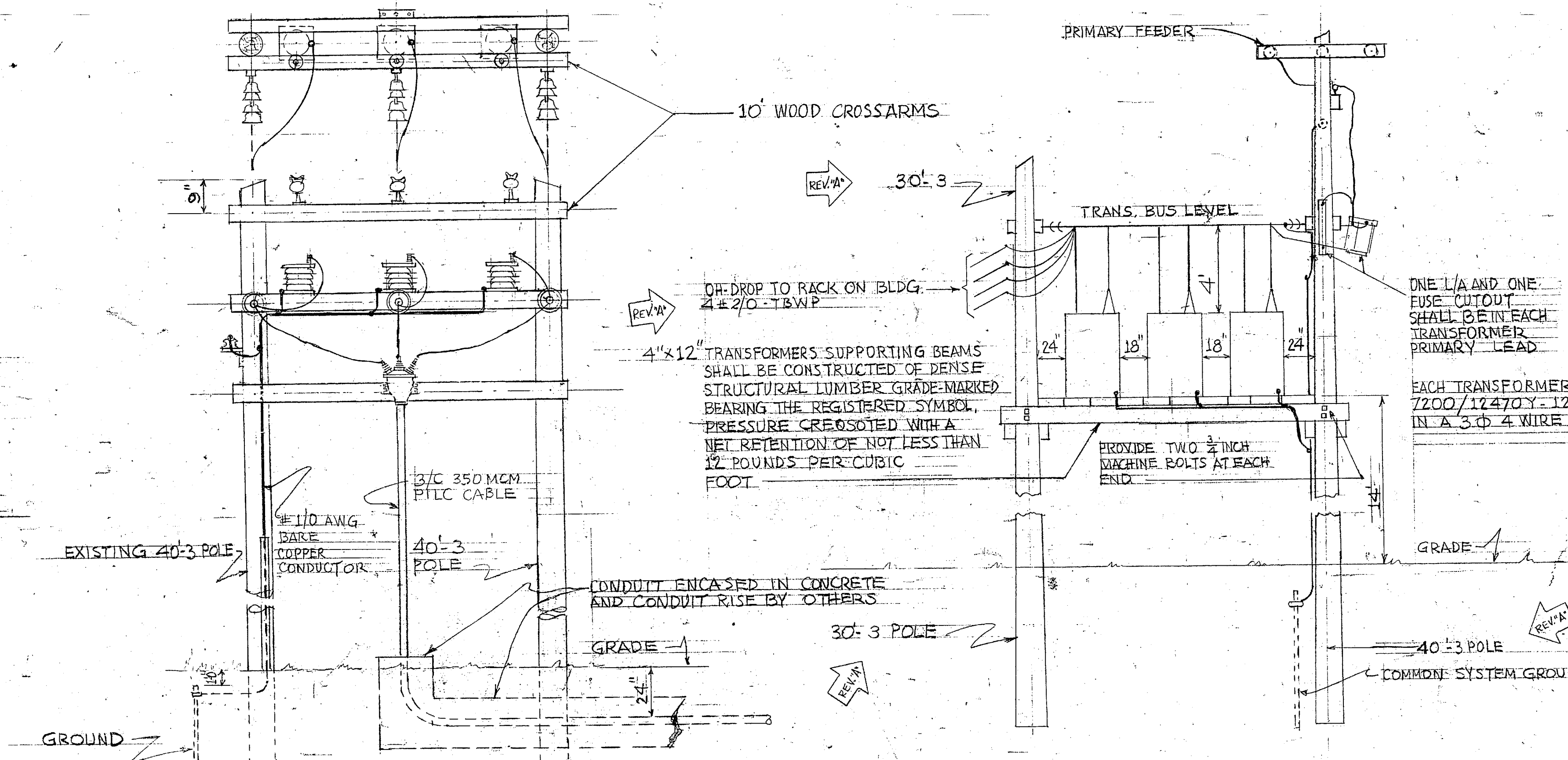
CROSSARM CONST. - DEAD END - 30°-60° ANGLE



CROSSARM CONST. - DEAD END SINGLE

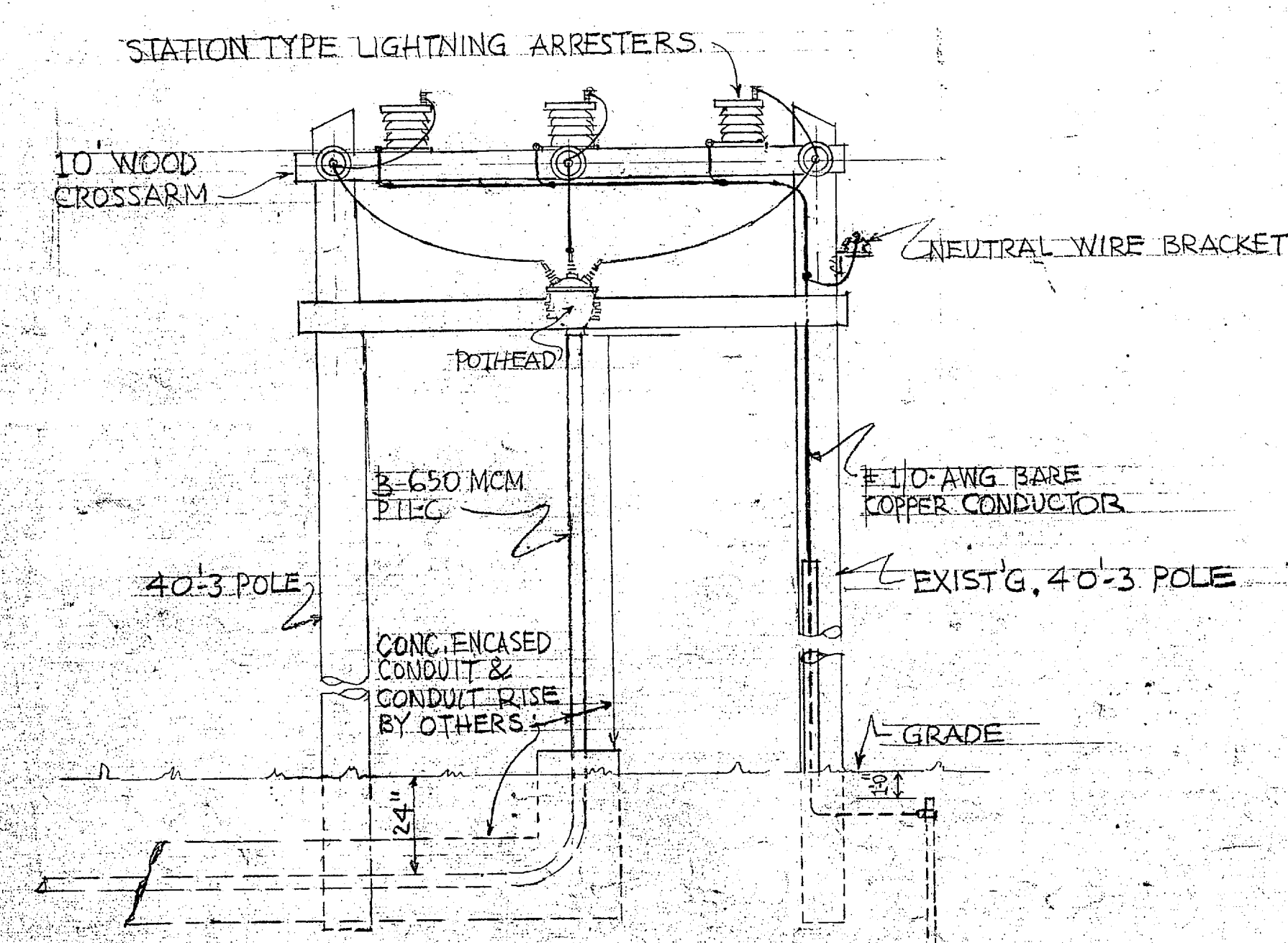


GROUNDING ASSEMBLY - BUTT COIL TYPE

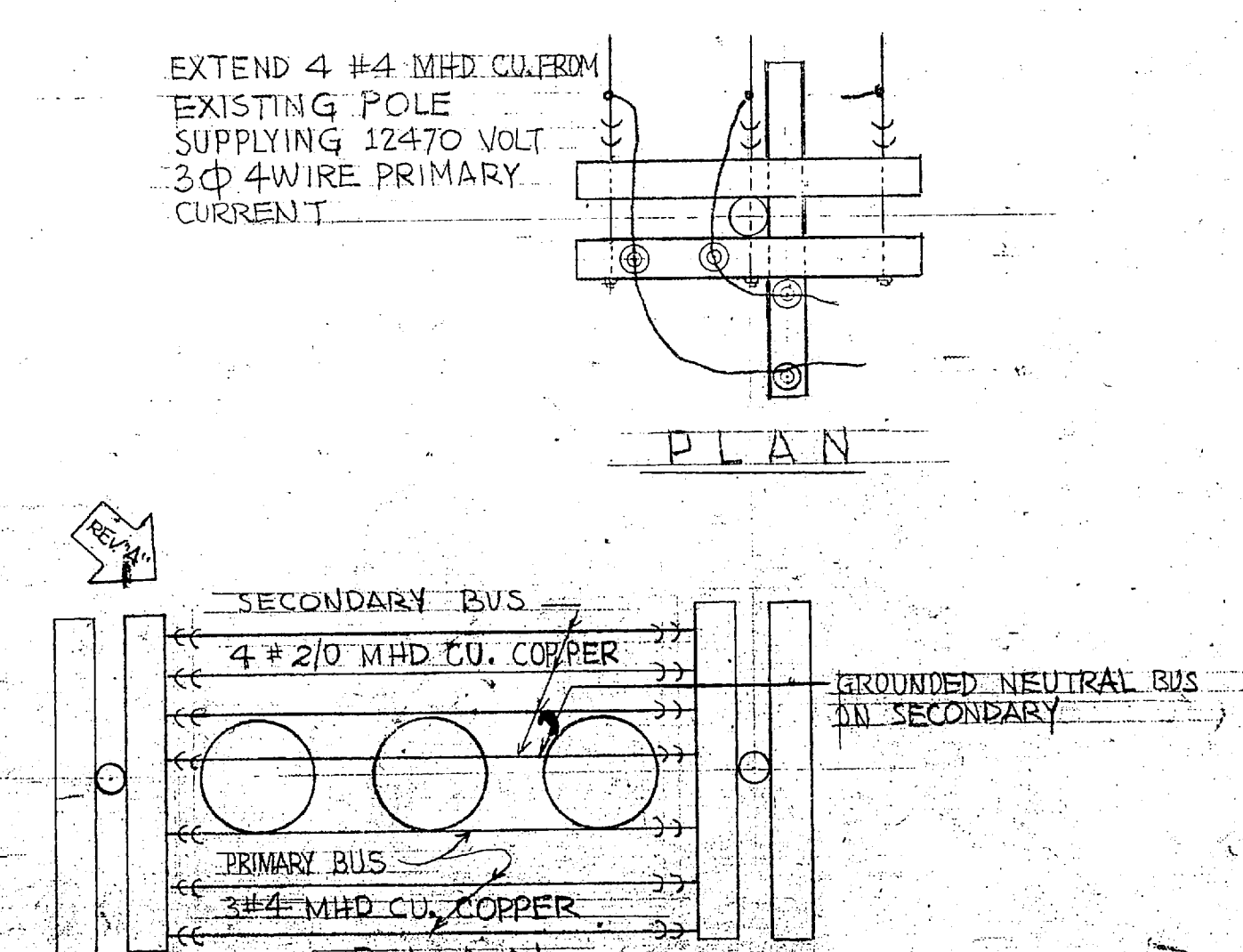


SCHEMATIC TRANSFORMER BANK ON POLE  
PLATFORM ARRANGEMENT  
DETAIL "A"

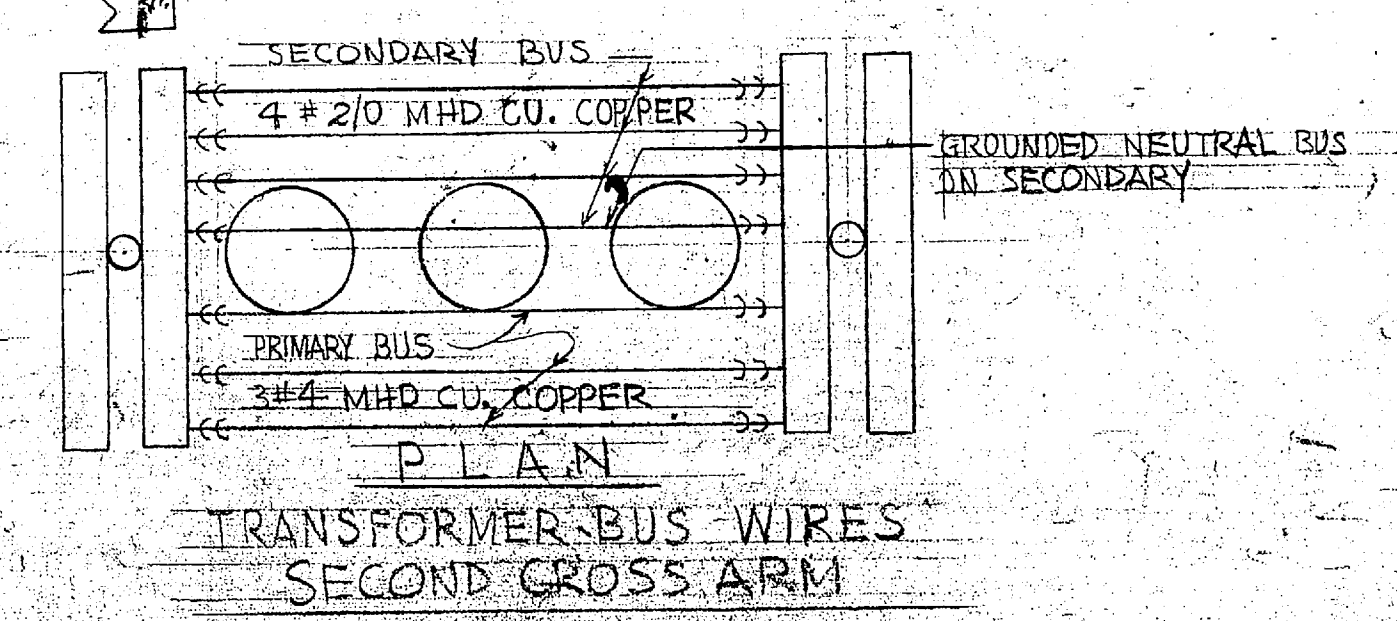
SYMBOLS AND NOTES	
●	NEW CREOSOTED PINE POLES, HEIGHT AND CLASS AS SHOWN
○	EXISTING POLES TO BE REMOVED
⊖	EXISTING POLES TO BE REMOVED AND TALLER POLES PROVIDED, HEIGHT AND CLASS AS SHOWN
△	NEW 7200/12470 VOLT, SINGLE PHASE, 60 CYCLE TRANSFORMERS, SIZED AS SHOWN
—E—	EXISTING 7200/12470 VOLT 4W, 3Ø ELECTRIC DISTRIBUTION LINE
—E L—	EXISTING 2400 VOLT 3W, 3Ø ELECTRIC DISTRIBUTION LINE TO BE TRANSFERRED
—III—	EXISTING 2400 VOLT 3W, 3Ø ELECTRIC DISTRIBUTION LINE TO BE REMOVED
—#—	EXISTING 2 WIRE 120 VOLT SECONDARY LINE TO REMAIN
—>—	EXISTING DOWN GUY AND ANCHOR
—#—	NEW 7200/12470 VOLT, 3Ø COPPER PRIMARY CONDUCTORS, NO. & SIZE AS SHOWN
—III—	NEW 4 #10 MHD TWCP CU. WIRE SERVICE DROP
—#—	NEW 2400 VOLT 3W, 3Ø COPPER PRIMARY CIRCUIT SIZE AS SHOWN
—>—	NEW DOWN GUYS AND ANCHORS
—>—	NEW SPAN OR HEAD GUYS AS NOTED
—#—	EXISTING OVERHEAD TELEPHONE CABLE TO BE TRANSFERRED
—SL—	EXISTING UNDERGROUND STREET LIGHTING CIRCUIT
—1—	ALL DOWN GUYS TO BE 7/8" H.S. GALVANIZED GUY WIRE WITH LEAD RATIO 1:11
—2—	EXISTING ELECTRIC DISTRIBUTION SYSTEM AND TELEPHONE SYSTEM PARALLEL TO AND PERPENDICULAR TO STONEY STREET BETWEEN RIVER DRIVE AND BRYAN STREET SHALL BE TRANSFERRED TO NEW POLES.



DETAIL POLE STRUCTURE C-64 (C-64A SIMILAR)



DETAIL POLE STRUCTURE C-65



TRANSFORMER BUS WIRES  
SECOND CROSS ARM

LEGEND	
---	EXIST. BLDGS.
---	EXIST. ROADS
---	EXIST. POWER LINE & POLE
---	EXIST. WOODS LINE - APPROX. ONLY
---	EXIST. TELEPHONE - UNDERGROUND
---	EXIST. WATER LINE - VALVE & HYDRANT
---	EXIST. FIRE ALARM & BOX - UNDERGROUND
---	EXIST. R.C. PIPE & HEADWALL
---	EXIST. SEWER LINE & M.H.
---	EXIST. PILOT CONTROL CABLE - UNDERGROUND

SATISFACTORY TO  
FOR THE COMMANDING GENERAL  
MARINE CORPS BASE, CAMP LEJEUNE, N.C.  
DATE 11-6-58

SATISFACTORY TO  
THE QUARTERMASTER GENERAL OF  
THE MARINE CORPS  
DATE NOV 14 1958

REVISION	DATE	APPR.	DESCRIPTION	BY
B	11-20-58	AS-BUILT	REVISED OH-DROP & POLE SIZE	EJH
A	11-20-58	REVISED	OH-DROP & POLE SIZE	EJH

P W DRAWING NO. 11318

MARINE CORPS BASE  
CAMP LEJEUNE, N.C.  
DISTRICT PUBLIC WORKS OFFICE, 5ND NORFOLK, VA.  
OFFSITE UTILITIES CAPEHART FAMILY HOUSING

DISTRIBUTION SYSTEM  
DETAILS  
ELECTRICAL

APPROVED: M.C. Harvey  
PUBLIC WORKS OFFICER

DATE 11-6-58

APPROVED FOR BUREAU OF YARDS & DOCKS  
DPWO FOR CHIEF OF BUREAU  
DATE NOV 14 1958

SCALE NO SCALE SPEC 10676/57  
SHEET 22 OF 27 NBY 10676  
Y & D DRAWING NO. 765418

