

**EQUIPMENT SCHEDULE - PANEL 'P'**

ITEM	SWITCH	FUSE	CIRCUIT	ITEM	SWITCH	FUSE	CIRCUIT
SPACE	60			EXISTING OVEN	60	60	P-8 3-4-1/2"
HOOD FAN	60	P-5	3-12-3/4"	BREAD OVEN	60	60	PE 3-4-1/2"
BREAD OVEN	60	P-6	3-4-1/2"	STOVE	60	60	P-10 3-4-1/2"
HOOD FAN	60	P-7	3-12-3/4"	DISHWASHER	60	60	P-12 3-4-1/2"
HOOD FAN	60	P-8	3-4-1/2"	REFRIGERATOR	30	30	P-14 3-12-3/4"
REFRIGERATOR	30	P-9	3-12-3/4"	REFRIGERATOR	30	30	P-16 3-12-3/4"
REFRIGERATOR	30	P-10	3-12-3/4"	REFRIGERATOR	30	30	P-18 3-12-3/4"
REFRIGERATOR	30	P-11	3-12-3/4"	REFRIGERATOR	30	30	P-20 3-12-3/4"
REFRIGERATOR	30	P-12	3-12-3/4"	REFRIGERATOR	30	30	P-22 3-12-3/4"
REFRIGERATOR	30	P-13	3-12-3/4"	REFRIGERATOR	30	30	P-24 3-12-3/4"
REFRIGERATOR	30	P-14	3-12-3/4"	REFRIGERATOR	30	30	P-26 3-12-3/4"
REFRIGERATOR	30	P-15	3-12-3/4"	REFRIGERATOR	30	30	P-28 3-12-3/4"
REFRIGERATOR	30	P-16	3-12-3/4"	REFRIGERATOR	30	30	P-30 3-12-3/4"
REFRIGERATOR	30	P-17	3-12-3/4"	REFRIGERATOR	30	30	P-32 3-12-3/4"
REFRIGERATOR	30	P-18	3-12-3/4"	REFRIGERATOR	30	30	P-34 3-12-3/4"
REFRIGERATOR	30	P-19	3-12-3/4"	REFRIGERATOR	30	30	P-36 3-12-3/4"
REFRIGERATOR	30	P-20	3-12-3/4"	REFRIGERATOR	30	30	P-38 3-12-3/4"
REFRIGERATOR	30	P-21	3-12-3/4"	REFRIGERATOR	30	30	P-40 3-12-3/4"
REFRIGERATOR	30	P-22	3-12-3/4"	REFRIGERATOR	30	30	P-42 3-12-3/4"
REFRIGERATOR	30	P-23	3-12-3/4"	REFRIGERATOR	30	30	P-44 3-12-3/4"
REFRIGERATOR	30	P-24	3-12-3/4"	REFRIGERATOR	30	30	P-46 3-12-3/4"
REFRIGERATOR	30	P-25	3-12-3/4"	REFRIGERATOR	30	30	P-48 3-12-3/4"
REFRIGERATOR	30	P-26	3-12-3/4"	REFRIGERATOR	30	30	P-50 3-12-3/4"
REFRIGERATOR	30	P-27	3-12-3/4"	REFRIGERATOR	30	30	P-52 3-12-3/4"
REFRIGERATOR	30	P-28	3-12-3/4"	REFRIGERATOR	30	30	P-54 3-12-3/4"
REFRIGERATOR	30	P-29	3-12-3/4"	REFRIGERATOR	30	30	P-56 3-12-3/4"
REFRIGERATOR	30	P-30	3-12-3/4"	REFRIGERATOR	30	30	P-58 3-12-3/4"
REFRIGERATOR	30	P-31	3-12-3/4"	REFRIGERATOR	30	30	P-60 3-12-3/4"
REFRIGERATOR	30	P-32	3-12-3/4"	REFRIGERATOR	30	30	P-62 3-12-3/4"
REFRIGERATOR	30	P-33	3-12-3/4"	REFRIGERATOR	30	30	P-64 3-12-3/4"
REFRIGERATOR	30	P-34	3-12-3/4"	REFRIGERATOR	30	30	P-66 3-12-3/4"
REFRIGERATOR	30	P-35	3-12-3/4"	REFRIGERATOR	30	30	P-68 3-12-3/4"
REFRIGERATOR	30	P-36	3-12-3/4"	REFRIGERATOR	30	30	P-70 3-12-3/4"
REFRIGERATOR	30	P-37	3-12-3/4"	REFRIGERATOR	30	30	P-72 3-12-3/4"
REFRIGERATOR	30	P-38	3-12-3/4"	REFRIGERATOR	30	30	P-74 3-12-3/4"
REFRIGERATOR	30	P-39	3-12-3/4"	REFRIGERATOR	30	30	P-76 3-12-3/4"
REFRIGERATOR	30	P-40	3-12-3/4"	REFRIGERATOR	30	30	P-78 3-12-3/4"
REFRIGERATOR	30	P-41	3-12-3/4"	REFRIGERATOR	30	30	P-80 3-12-3/4"
REFRIGERATOR	30	P-42	3-12-3/4"	REFRIGERATOR	30	30	P-82 3-12-3/4"
REFRIGERATOR	30	P-43	3-12-3/4"	REFRIGERATOR	30	30	P-84 3-12-3/4"
REFRIGERATOR	30	P-44	3-12-3/4"	REFRIGERATOR	30	30	P-86 3-12-3/4"
REFRIGERATOR	30	P-45	3-12-3/4"	REFRIGERATOR	30	30	P-88 3-12-3/4"
REFRIGERATOR	30	P-46	3-12-3/4"	REFRIGERATOR	30	30	P-90 3-12-3/4"
REFRIGERATOR	30	P-47	3-12-3/4"	REFRIGERATOR	30	30	P-92 3-12-3/4"
REFRIGERATOR	30	P-48	3-12-3/4"	REFRIGERATOR	30	30	P-94 3-12-3/4"
REFRIGERATOR	30	P-49	3-12-3/4"	REFRIGERATOR	30	30	P-96 3-12-3/4"
REFRIGERATOR	30	P-50	3-12-3/4"	REFRIGERATOR	30	30	P-98 3-12-3/4"
REFRIGERATOR	30	P-51	3-12-3/4"	REFRIGERATOR	30	30	P-100 3-12-3/4"

**FIXTURE SCHEDULE**

ITEM	TYPE	NO.	SIZE	HEIGHT
MESS HALL	ST	100	180	14 FT
SCULLERY	"	6	150	"
GALLEY	"	6	200	"
SERVICE CORRIDOR	"	6	100	"
DRY STORAGE OFFICE	"	6	150	"
GARAGE	"	6	150	"
POTATOES	"	6	100	"
WASH ROOM	"	11	100	100"
ENTRY FIXTURES	"	14	60	"

NOTE: THESE FIXTURES TO BE SET HORIZONTALLY.

REFRIGERATOR BRUSH HEATERS TO BE SET HORIZONTALLY ON TOP OF UNIT. BRUSH HEATERS TO BE SET HORIZONTALLY ON TOP OF UNIT. BRUSH HEATERS TO BE SET HORIZONTALLY ON TOP OF UNIT.

EXIT LIGHTS: SIMILAR 300 10 WATT RED 30 100"

NIGHT LIGHTS: SIMILAR 30 100"

TOILETS: 30

CHECKED WITH ARCH PLAN.  
 ISSUE DATE CHECKED BY  
 ORIGINAL 5-28-43 J.P.M.

NOTE: THIS DRAWING ALSO SHALL BE USED FOR PROJECT NO. 1309-2-04, MESS HALL, LABOR CAMP, INDUSTRIAL AREA, JULY 2, 1943.

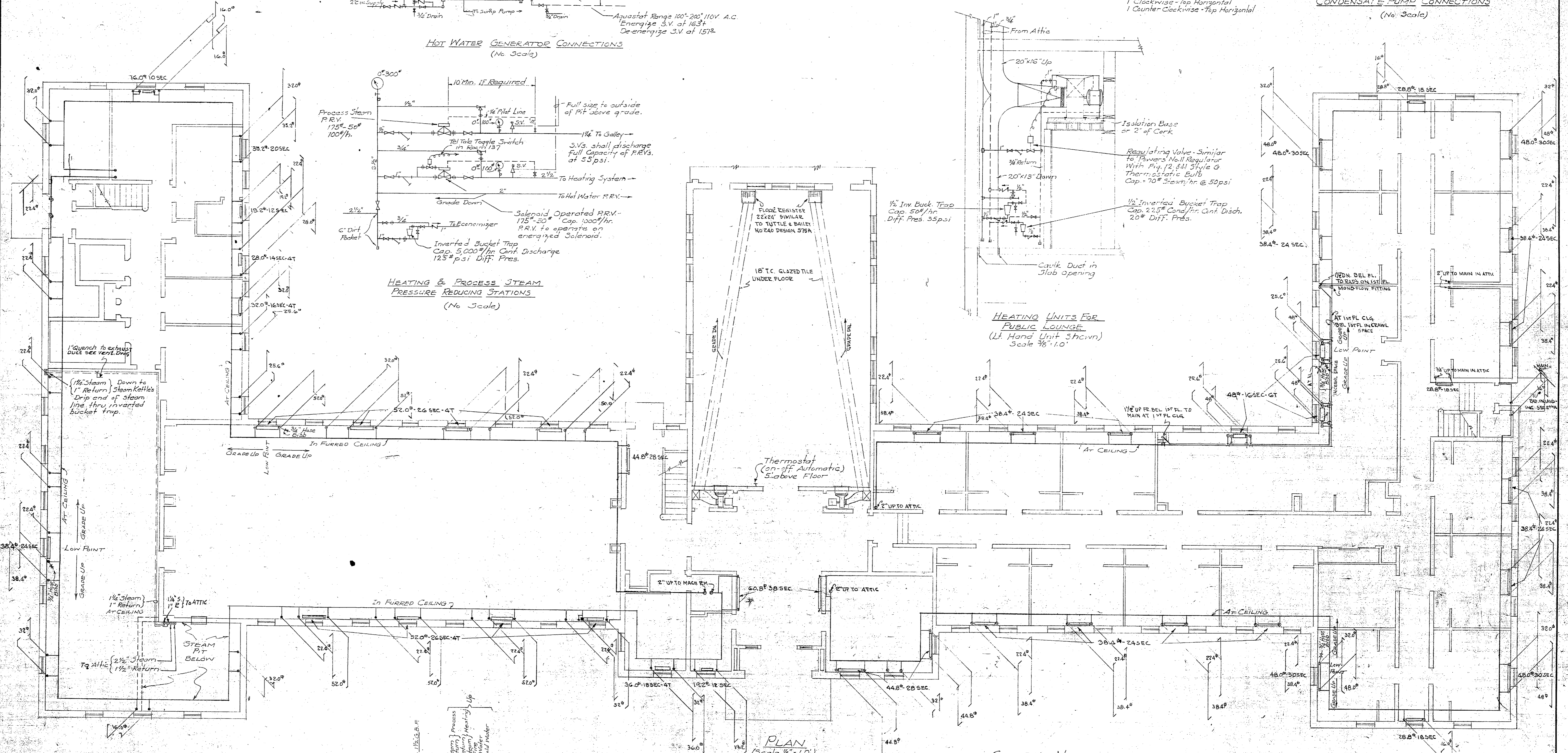
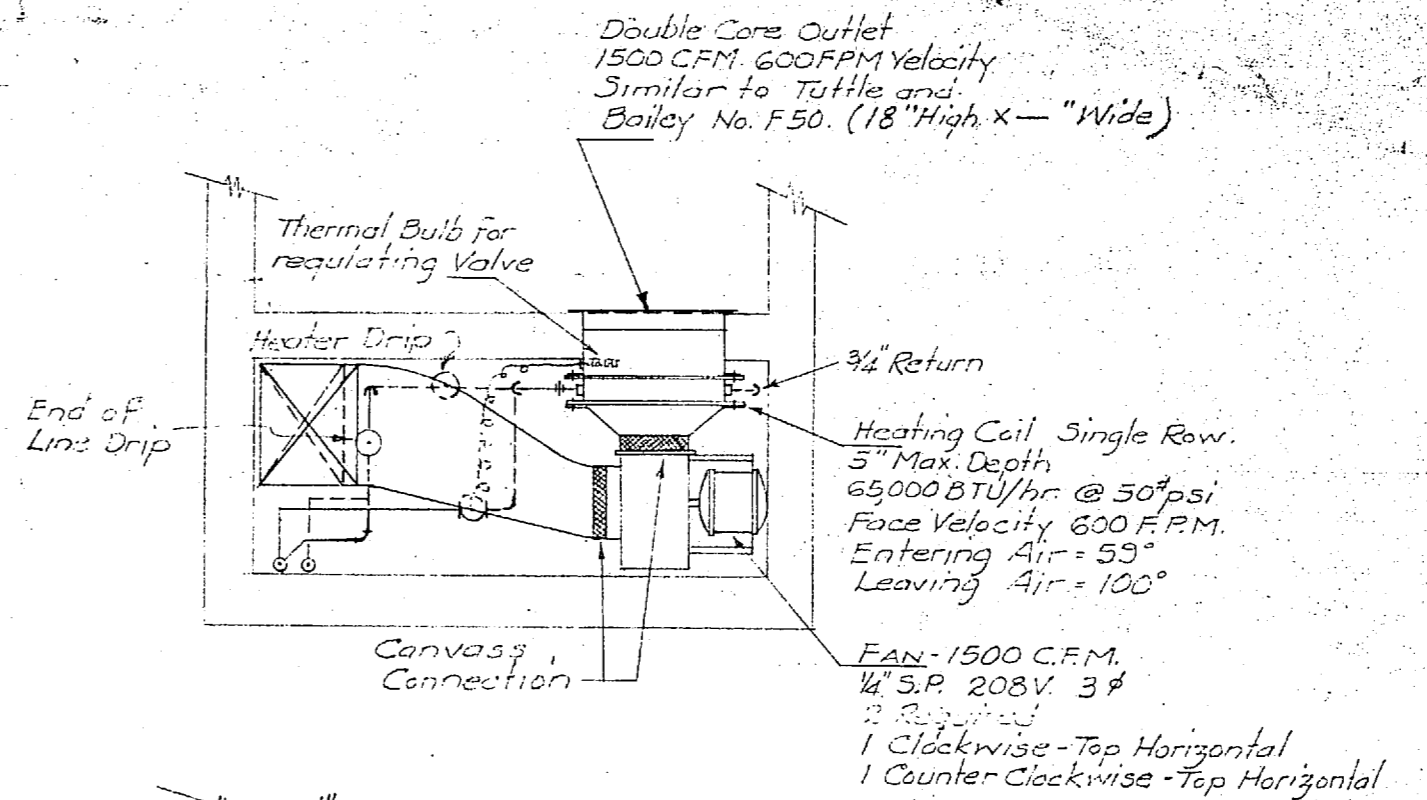
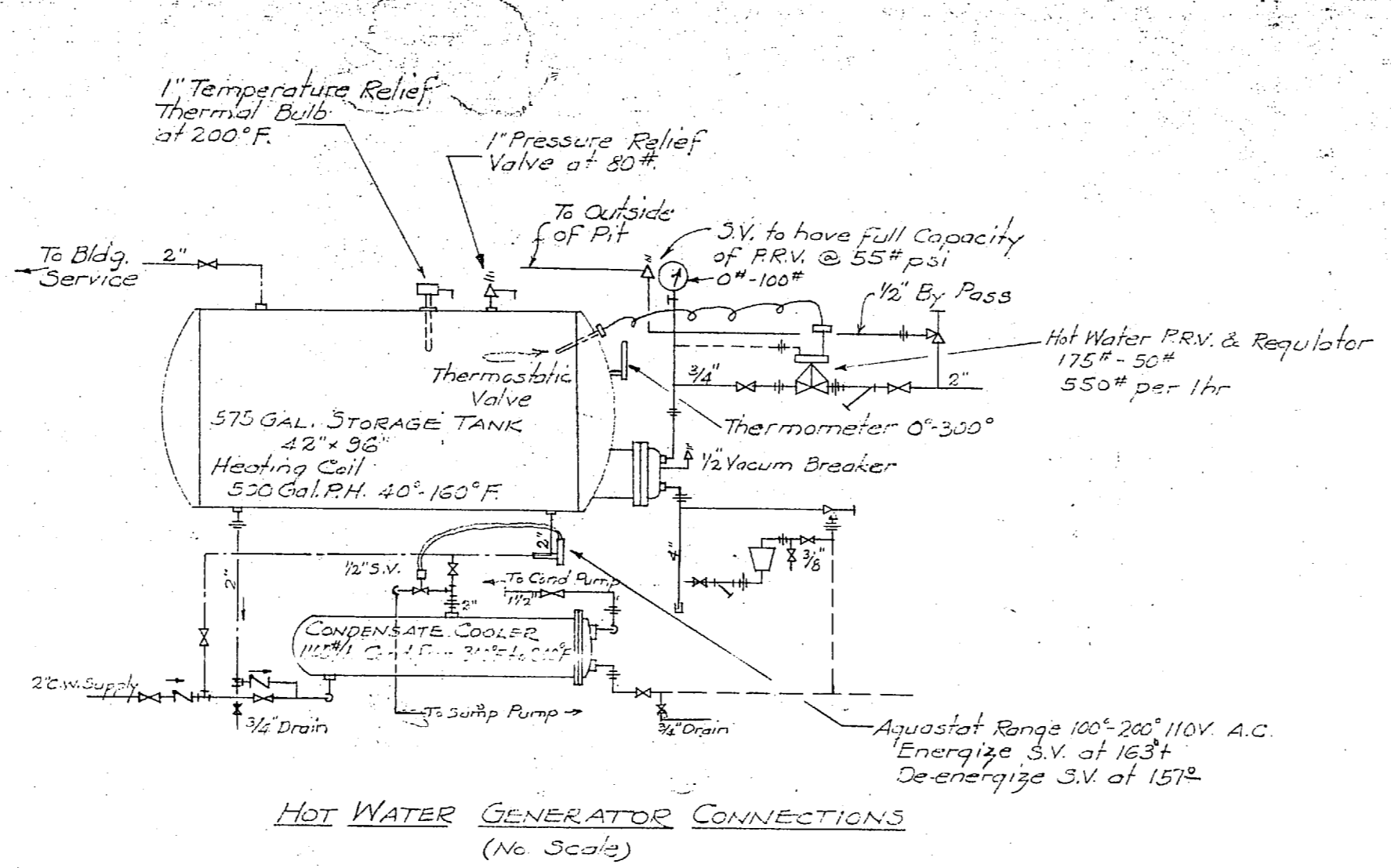
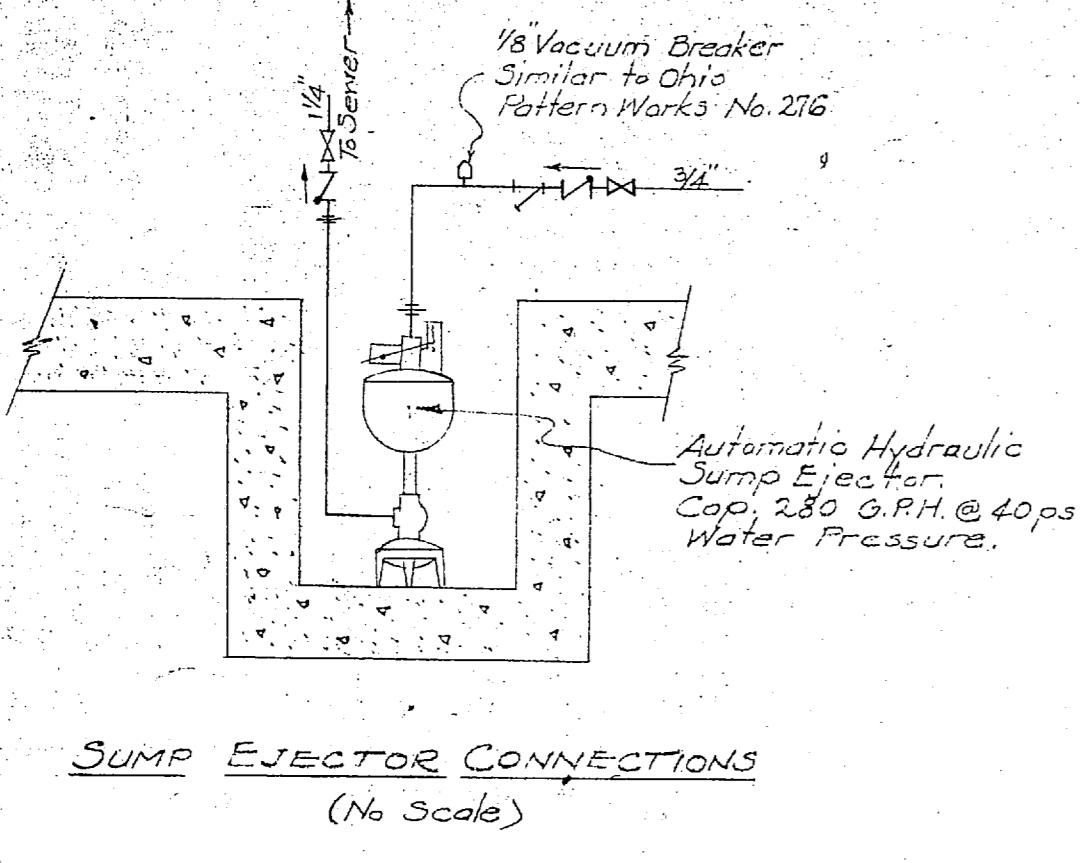
DRAWN BY: O. J. Greiner CHECKED BY: J. J. Greiner DATE: 5/28/43 SCALE: AS SHOWN SHEET NO.: 267041 DRAWING NO.: 1510	<b>CARR &amp; J. E. GREINER CO. - ARCHITECT-ENGINEERS</b> DURHAM, N. C. <b>MARINE BARRACKS - NEW RIVER, N. C.</b> BUREAU OF YARDS AND DOCKS - U. S. NAVY
<b>MARINE CORPS WOMEN'S RESERVE</b> <b>MESS HALL</b> <b>ELECTRICAL WORK</b>	
APPROVED: [Signature] DATE: 7/2/43 TITLE: [Title]	APPROVED: [Signature] DATE: 7/2/43 TITLE: [Title]

Bldg.  
54



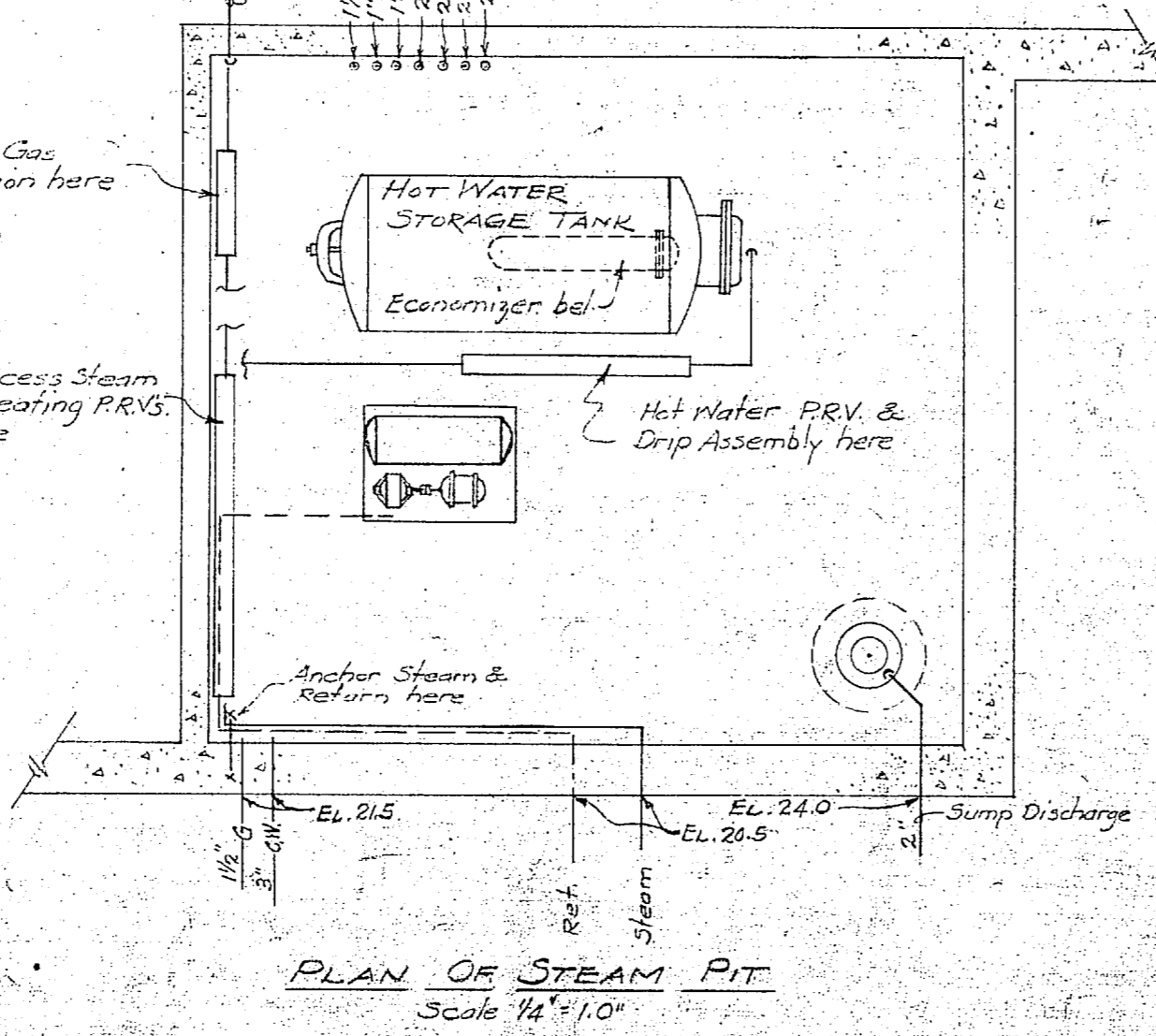






**RADIATOR CONNECTIONS**

PIPE SIZE	UP FEED	DOWN FEED	COMBINED	RADIATED BALANCING FITTING	UP FEED	DOWN FEED
1/2"	0°-41°	0°-25°	0°-41°	0°-25°	0°-41°	0°-25°
3/4"	40°-75°	20°-40°	0°-25°	40°-75°	20°-40°	0°-25°
1"	75°-135°	40°-75°	20°-40°	75°-135°	40°-75°	20°-95°
1 1/4"		40°-75°				



- GENERAL NOTES**
- All radiators, unless otherwise indicated, shall be 3 Tube-25" high-wall hung.
  - All high points on distributing mains besides the locations indicated on the plans, where air can be trapped, shall have an automatic air valve.
  - All radiators on 2nd floor shall have bottom feed and return.
  - All radiators below the distributing main shall have top feed and bottom return.
  - All radiators shall have a hot water valve on the feed line and a balancing fitting on the return of size as indicated in the RADIATOR CONNECTION TABLE and a 1/2 key operated air valve above the return.
  - Insulate all distributing mains and run-outs.
  - Do not insulate up and down feed risers.
  - Run-outs for 2nd floor radiators shall have top of the distributing main, all combination and down feed run-outs shall be taken off the bottom of the main.
  - Install on up-feed risers to the 2nd floor a mono-flow fitting on the feed line only.
  - All other run-outs to down-feed risers and combination risers shall have two mono-flow fittings, one on the feed and one on the return.

**SYMBOLS**

F50°	ELBOW	ANGLE GLOBE VALVE
+	TEE	REDUCER
— —	UNION	STRAINER
⊥	GATE VALVE	DROP
⊥	GLOBE VALVE	RISE
⊥	CHECK VALVE	PRESSURE GAUGE

Checked With Arch. Plan No. 72042

Issue	Date	Checked By
C	8-14-43	DEEM

DRAWN BY WASHBURN  
TRACED BY DEEM  
CHECKED BY A. M. Niles  
CHIEF DPMN A. M. Niles  
IN CHARGE A. M. Niles  
DATE Aug 25, 1943  
SCALE As Noted  
X, S, D, DRAWING NO.  
**267083**

CARR & J. E. GREINER CO.—ARCHITECT-ENGINEERS  
DURHAM, N. C. BALTIMORE, MD.  
**CAMP LEJEUNE — NEW RIVER, N. C.**  
BUREAU OF YARDS AND DOCKS — U. S. NAVY

**MARINE CORPS WOMEN'S RESERVE**  
B.O.O  
**WT Bldg. No. 58**  
**1ST FLOOR HEATING**

APPROVED 28 Aug 1943  
BY [Signature] OFFICER IN CHARGE

SHEET 1 OF 2  
REF. NO. P1200-3  
DWG. NO. MB 6643



28

1/11