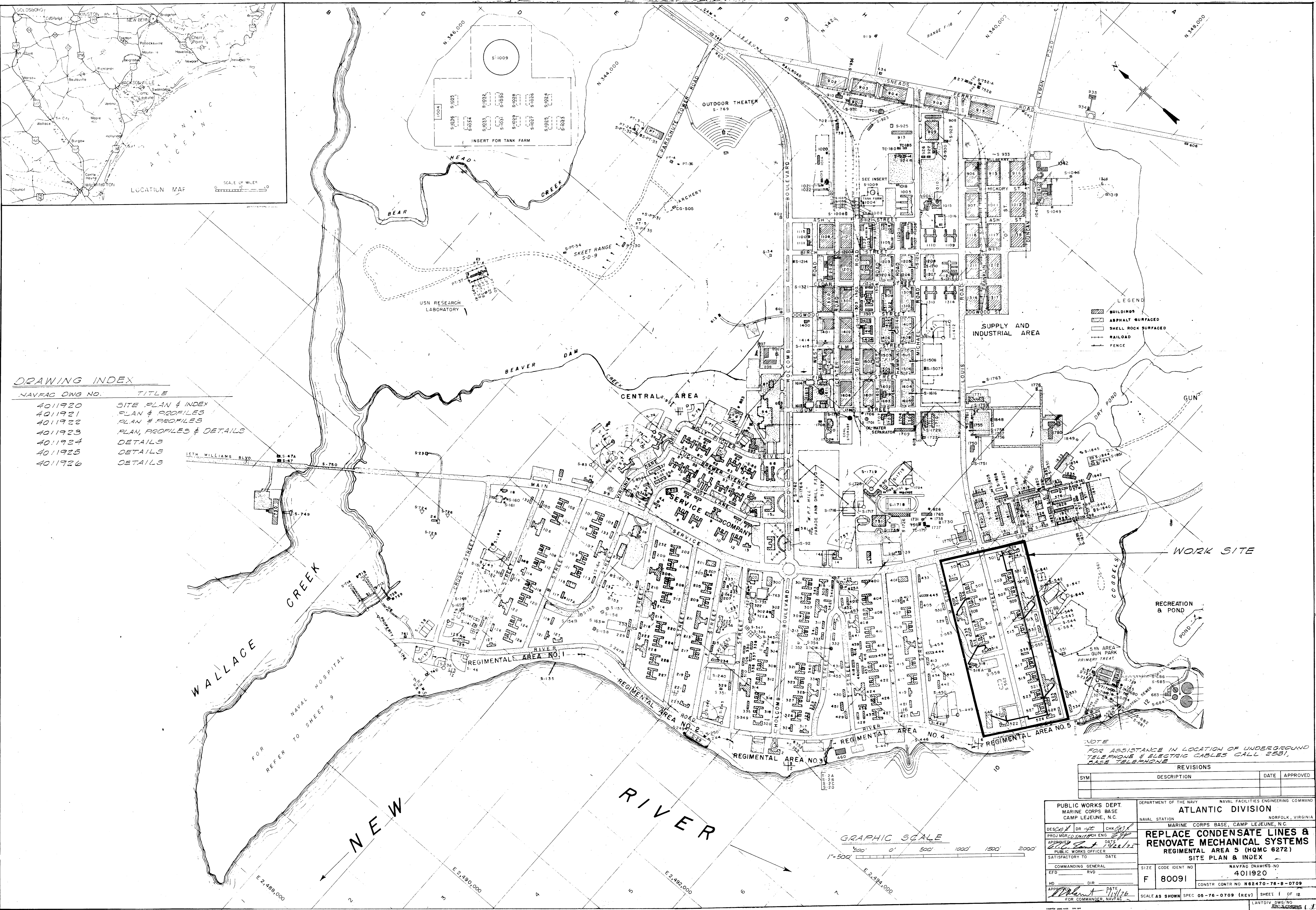


DRAWING INDEX

NAVFAC DWG NO.	TITLE
4011920	SITE PLAN & INDEX
4011921	PLAN & PROFILES
4011922	PLAN & PROFILES
4011923	PLAN, PROFILES & DETAILS
4011924	DETAILS
4011925	DETAILS
4011926	DETAILS



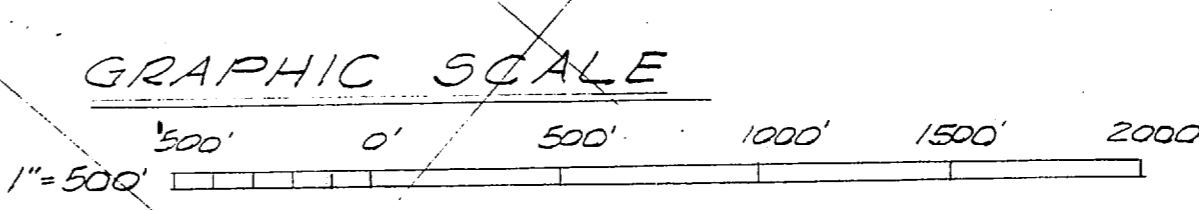
LEGEND

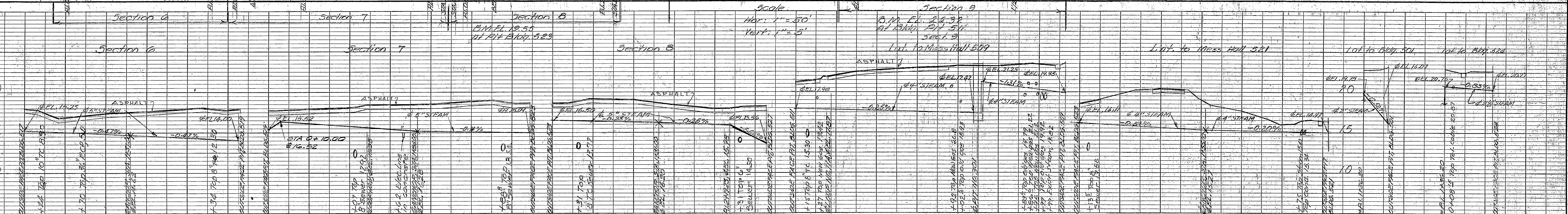
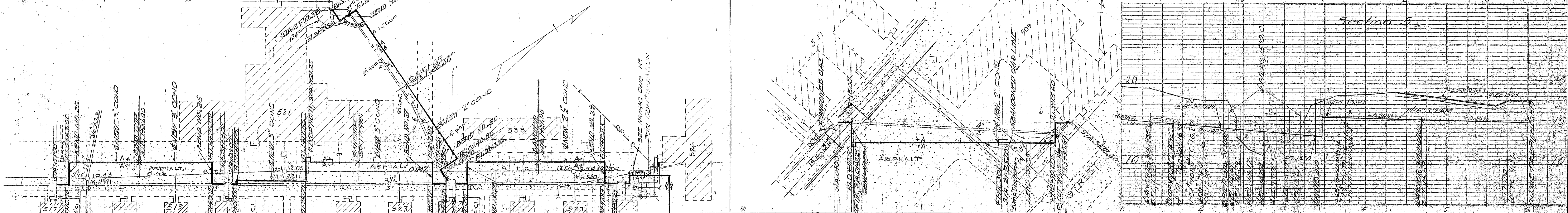
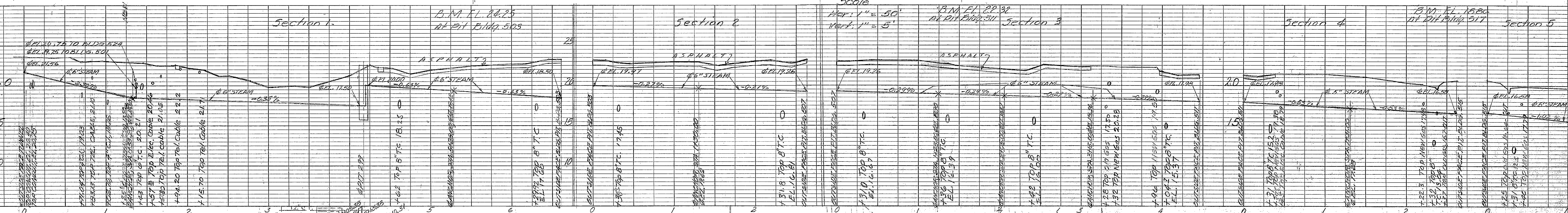
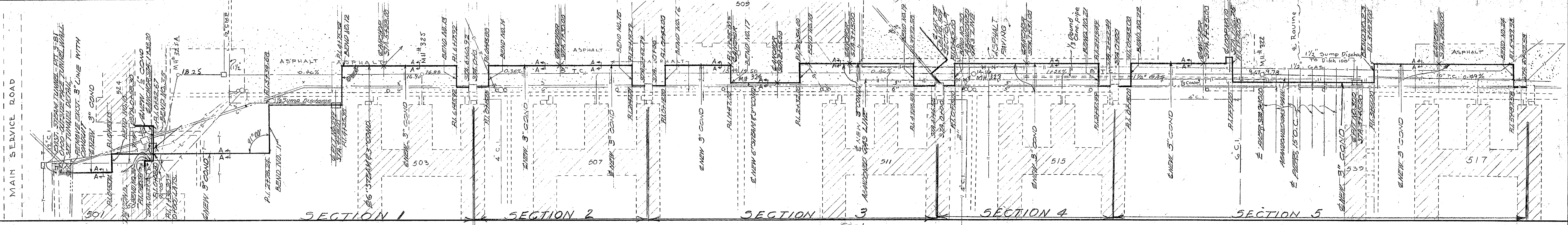
[Hatched Box]	BUILDINGS
[Dotted Box]	ASPHALT SURFACED
[Cross-hatched Box]	SHELL ROCK SURFACED
[Line with Cross-ticks]	RAILROAD
[Line with Dashes]	FENCE

NOTE
FOR ASSISTANCE IN LOCATION OF UNDERGROUND TELEPHONE & ELECTRIC CABLES CALL 2331, CASE TELEPHONE

REVISIONS			
SYM	DESCRIPTION	DATE	APPROVED

PUBLIC WORKS DEPT. MARINE CORPS BASE CAMP LEJUNE, N.C.		DEPARTMENT OF THE NAVY NAVAL FACILITIES ENGINEERING COMMAND ATLANTIC DIVISION NORFOLK, VIRGINIA	
DESIGN BY: <i>DR/JE</i>	CHK BY: <i>CHY/SP</i>	PROJECT: <i>CONDENSATE</i>	DATE: <i>1/14/76</i>
APPROVED: <i>[Signature]</i>	DATE: <i>1/14/76</i>	SATISFACTORY TO: <i>[Signature]</i>	DATE: <i>1/14/76</i>
COMMANDING GENERAL	NAVY	CODE IDENT NO.	NAVFAC DRAWING NO.
EFD	RVD	F 80091	4011920
HD	DIR	CONSTR CONTR NO.	N62470-78-B-0709
APPROVED: <i>[Signature]</i>	DATE: <i>1/14/76</i>	SCALE AS SHOWN	SEC 06-76-0709 (REV)
FOR COMMANDER, NAVFAC		SHEET 1 OF 12	



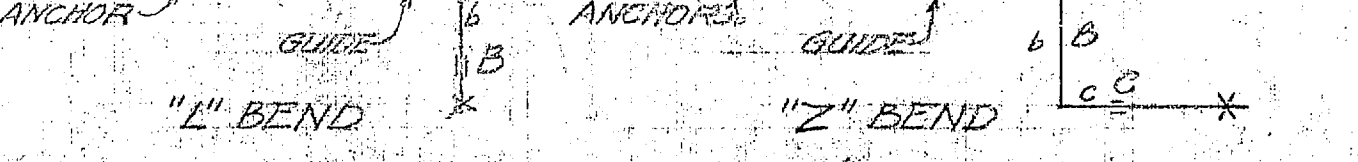


LOOP NO.	STREAM SIZE	COND. SIZE	LOOP SIZE W X H	TOTAL EXPAN.
*10	5"	3"	500' X 100'	5 1/2"
*11	5"	3"	300' X 100'	4 3/8"
*11A	4"	2"	300' X 500'	5 3/8"

BEND TYPE	STREAM SIZE	COND. SIZE	UNGUIDED LENGTHS	LEG A	LEG B	LEG C
10	Z	6"	250'	100'	100'	100'
11	Z	6"	150'	50'	50'	50'
12	L	6"	180'	200'	180'	180'
13	Z	6"	250'	100'	100'	100'
14	Z	6"	250'	100'	100'	100'
15	Z	6"	250'	100'	100'	100'
16	Z	6"	250'	100'	100'	100'
17	L	6"	120'	120'	120'	120'
18	Z	6"	250'	100'	100'	100'
19	Z	6"	250'	100'	100'	100'
20	Z	6"	250'	100'	100'	100'
21	Z	6"	250'	100'	100'	100'
22	Z	6"	250'	100'	100'	100'

BEND TYPE	STREAM SIZE	COND. SIZE	UNGUIDED LENGTHS	LEG A	LEG B	LEG C
23	Z	5"	250'	100'	100'	100'
24	Z	5"	250'	100'	100'	100'
25	Z	5"	250'	100'	100'	100'
26	Z	5"	250'	100'	100'	100'
27	Z	5"	250'	100'	100'	100'
28	Z	5"	250'	100'	100'	100'
29	Z	5"	250'	100'	100'	100'
30	Z	5"	250'	100'	100'	100'
31	Z	5"	250'	100'	100'	100'
32	Z	5"	250'	100'	100'	100'
33	Z	5"	250'	100'	100'	100'
34	Z	5"	250'	100'	100'	100'
35	L	5"	250'	100'	100'	100'

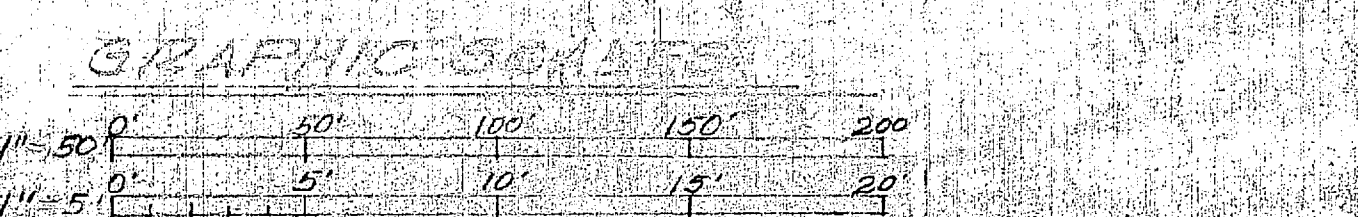
NOTE: UNGUIDED LENGTHS SHOWN IN EXPANSION BEND SCHEDULE ARE MINIMUM AND SHALL BE LOCATED AS SHOWN IN SKETCHES BELOW.



NOTE: GENERAL NOTES & SECTION A-A ON PLAN & PROFILE, SEE NAVFAC DWG NO.

NOTE: EXPANSION LOOP SCHEDULE & EXPANSION BEND SCHEDULE APPLY ONLY TO THIS SHEET.

GRAPHIC SCALES



SYM	DESCRIPTION	DATE	APPROVED

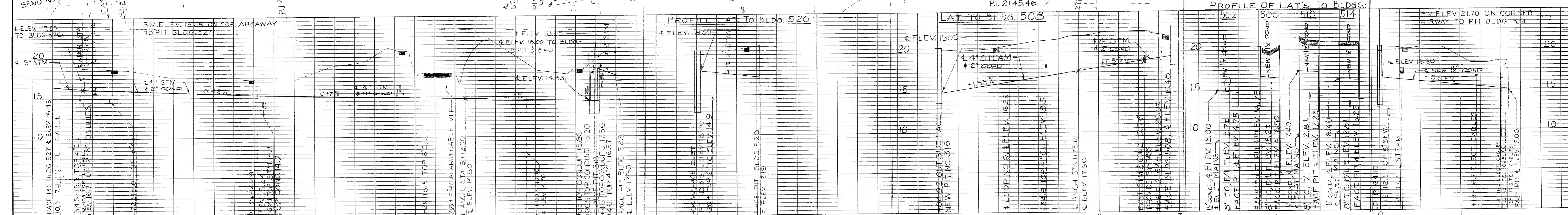
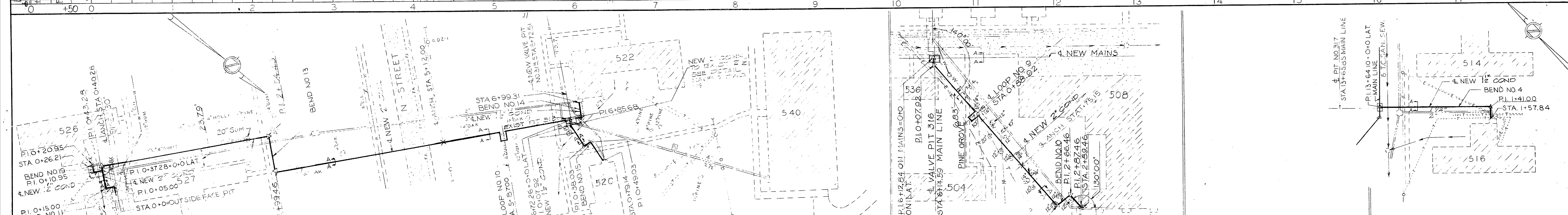
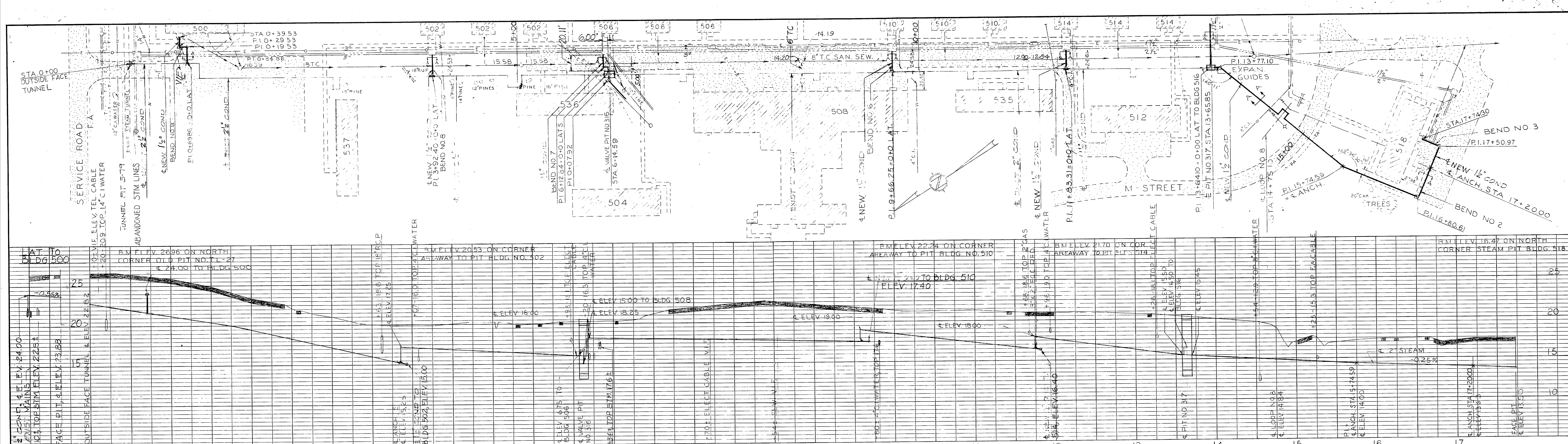
PUBLIC WORKS DEPT.
MARINE CORPS BASE
CAMP LEJUNE, N.C.

DEPARTMENT OF THE NAVY
NAVAL FACILITIES ENGINEERING COMMAND
ATLANTIC DIVISION
NAVAL STATION
MARINE CORPS BASE CAMP LEJUNE, N.C.

REPLACE CONDENSATE LINES & REPLACE MECHANICAL SYSTEMS
REGIMENTAL AREA 5 (HQMC 6272)
PLAN & PROFILES

DESIGN: DR: CHK: APPROVED: DATE: PUBLIC WORKS OFFICER: SATISFACTORY TO: DATE: COMMANDING GENERAL: RVD: EFD: HD: DIR: APPROVED: DATE: FOR COMMANDER, NAVFAC

SIZE: CODE: IDENT NO: NAVFAC DRAWING NO: 401921
F 80091 CONSTR CONTR NO: N62470-76-B-0709
SCALE AS SHOWN SPEC 05-76-0709 (REV) SHEET 2 OF 12



GENERAL NOTES

1. STAIRS AND PIT WALLS ARE AT OUTSIDE FACES OF PITS.
2. ALL PITS SHALL BE ANCHORED TO ALL BLDG PIT WALLS WHEN ENTERING SUCH PITS UNLESS OTHERWISE SHOWN. SEE NOTES FOR DETAILS.
3. ALL UNDERGROUND ELECTRICAL, TELEPHONE & FIRE ALARM CABLES SHALL BE PROTECTED BY SUPPORTING IN AN ENCLOSED BOX OR CHANNEL, RELOCATIONS REQUIRING SPLICING TO BE DONE BY THE GOVERNMENT UPON NOTIFICATION.
4. UNLESS OTHERWISE SHOWN, ALL ANGLES ARE 90°.
5. SUPPORT TELEPHONE & POWER POLES LOCATED WITHIN 10 FT. OF TRENCH PRIOR TO DIGGING.
6. ALL BENDS & LOOPS SHALL BE COLD SPRUNG 50%. CREDIT FOR WELD SPRING WILL NOT BE TAKEN IN STRESS EVALUATION.
7. BASIS FOR DESIGN OF LOOPS & BENDS: STM, 2.03' EXPLAN/100 FT. COND, 3.00' EXPLAN/100 FT. (STM 175 PSIG, 377°F, COND, 260°F).
8. FOR LOCATION OF GUIDES IN LOOPS & BENDS, SEE SCHEDULES FOR LOOPS & BENDS.
9. PITS TO BE LOCATED BENEATH PAVEMENTS MUST BE VERIFIED IN FIELD, SEE SPEC.
10. REPLACE COND PIPE THRU PITS INCLUDING VALVES, FITTINGS, & DRIP TRAP ASSEMBLY, & COND LOOP DRAIN PIPING.

LEGEND

- EXIST ROADS-PARKING
- CONC. WALKS
- BUILDINGS
- SAN SEWER
- WATER-TREATED
- UN-TREATED
- L.P. GAS
- STEAM
- CONDENSATE
- UG TELEPHONE CABLE
- UG ELECTRIC CABLE
- STORM DRAIN
- UG FIRE ALARM CABLE
- DRAIN LINE
- INDIVIDUAL TREES
- OVERHEAD LINE
- GUY ANCHOR

GRAPHIC SCALES

SECTION "A-A"
Not to Scale

Bottom of trench
Conduit Pipe

NOTE

REVISIONS		DATE	APPROVED
SYM	DESCRIPTION		

PUBLIC WORKS DEPT.
MARINE CORPS BASE
CAMP LEJEUNE, N.C.

DEPARTMENT OF THE NAVY
NAVAL FACILITIES ENGINEERING COMMAND

ATLANTIC DIVISION
NORFOLK, VIRGINIA

MARINE CORPS BASE, CAMP LEJEUNE, N.C.

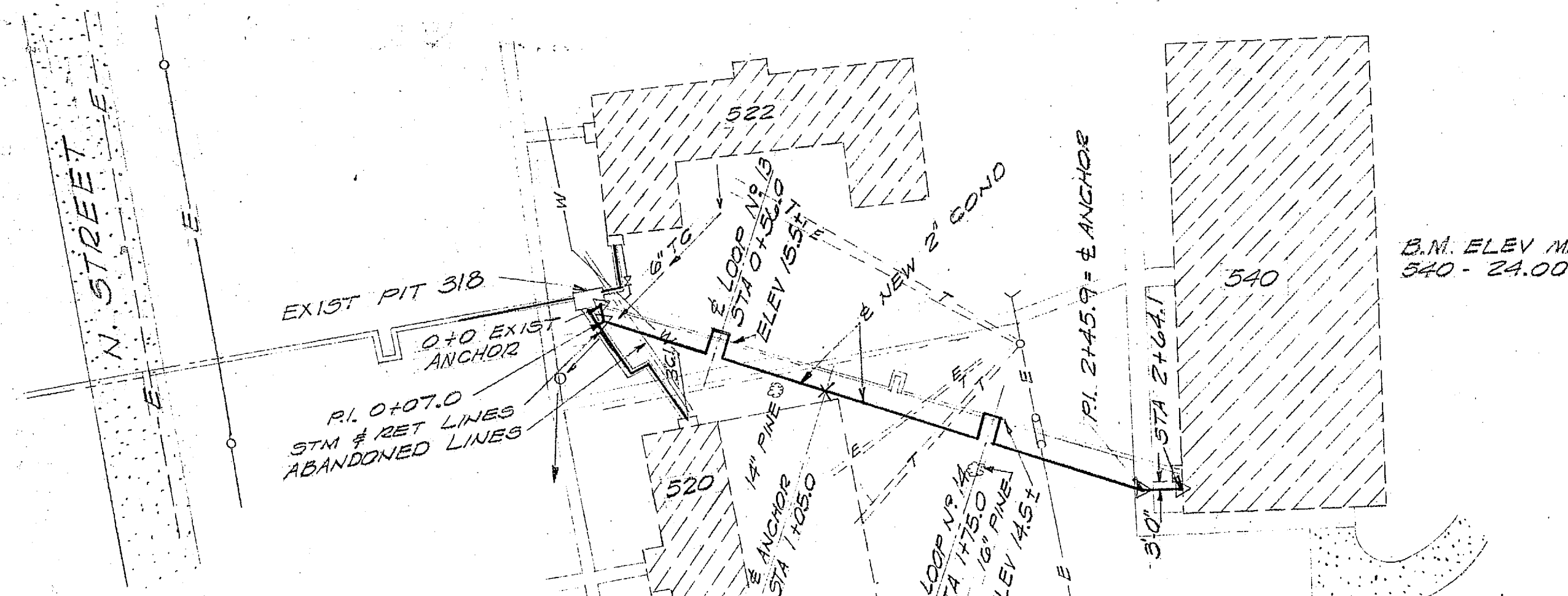
REPLACE CONDENSATE LINES & RENOVATE MECHANICAL SYSTEMS
REGIMENTAL AREA 5 (HOMC 6272)
PLAN & PROFILES

DESIGNED BY: [Signature]
CHECKED BY: [Signature]
APPROVED BY: [Signature]
DATE: [Date]

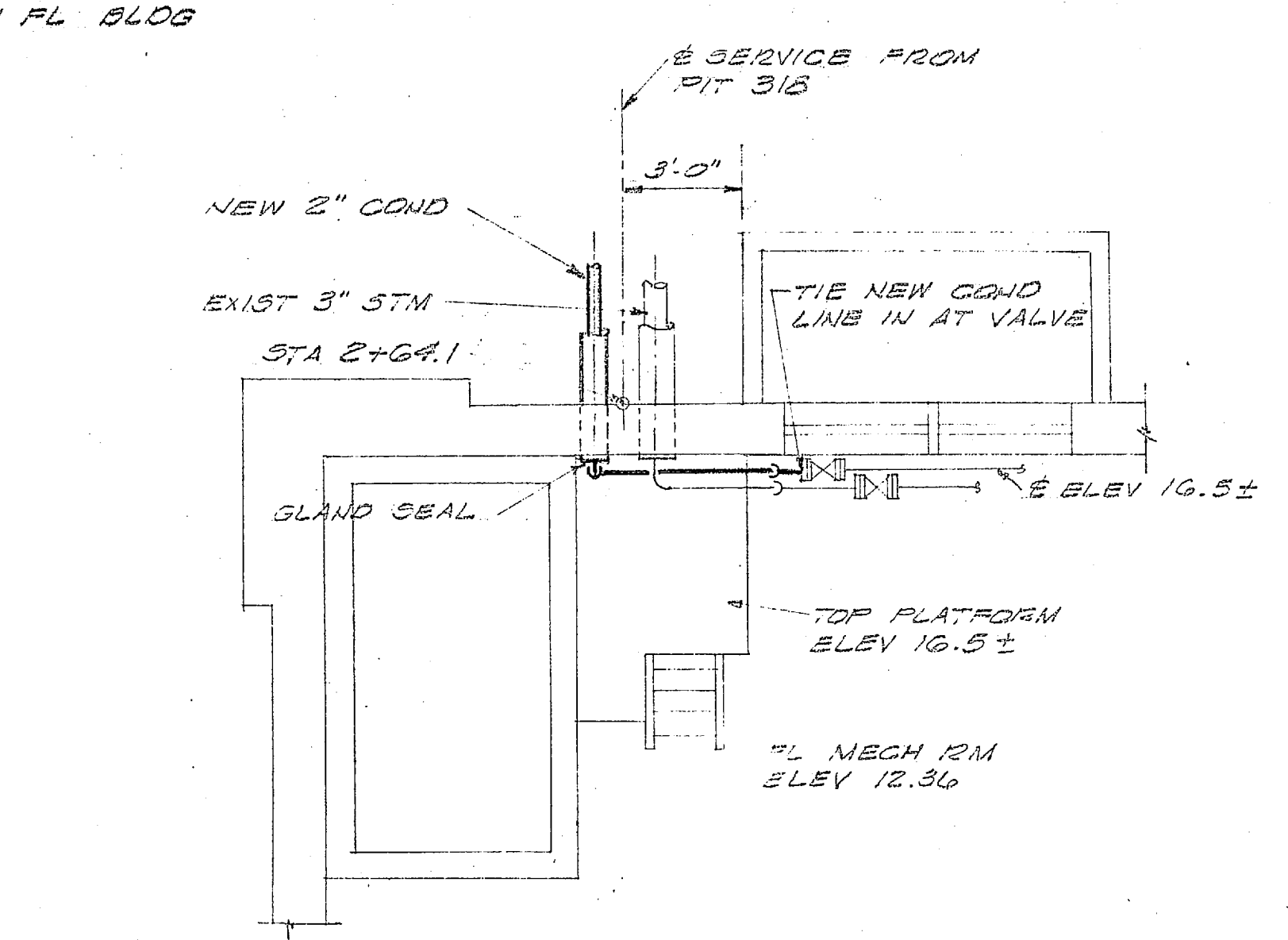
COMMANDED GENERAL: [Signature]
DATE: [Date]

FOR COMMANDER, NAVFAC

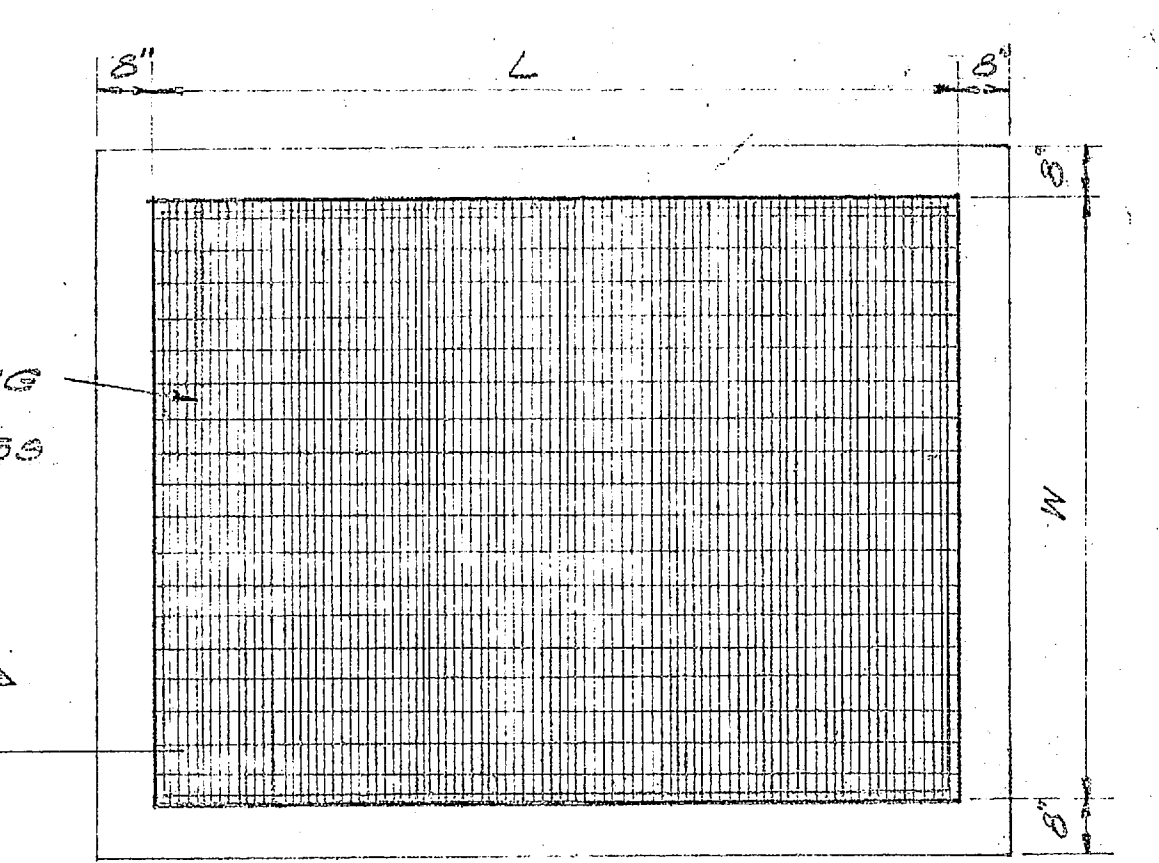
NAVFAC DRAWING NO. 4011922
CODE IDENT NO. 80091
CONSTR. CONTR. NO. W62470-76-B-0709
SCALE AS SHOWN SPEC 08-76-0709 (REV) SHEET 3 OF 12



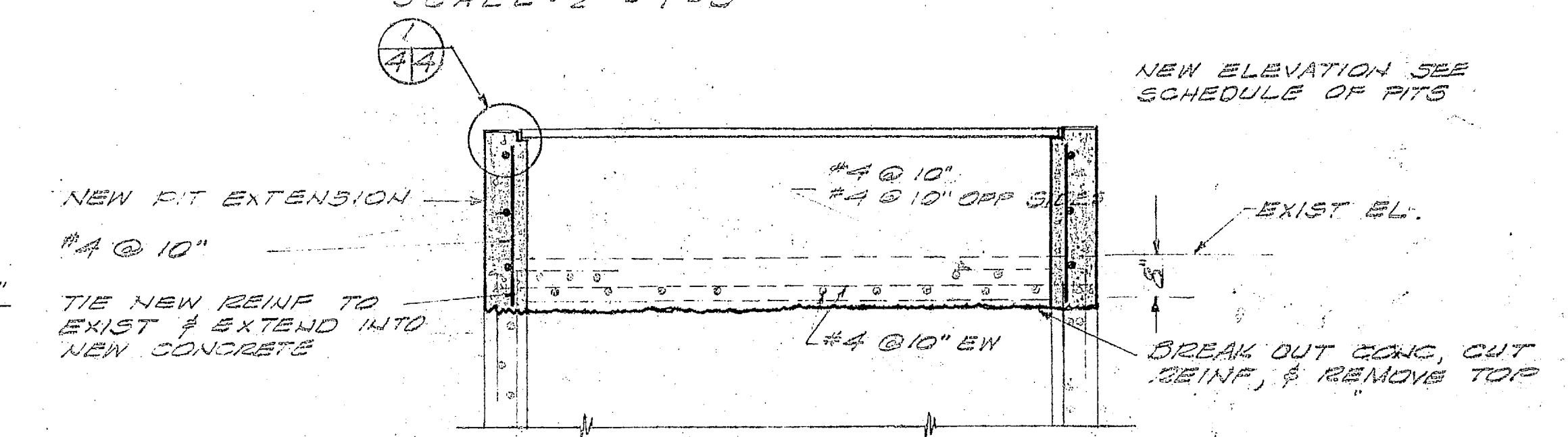
B.M. ELEV MAIN FL BLDG 340 - 24.00



PLAN MECH 12M BLDG 540 SCALE - 1/4" = 1'-0"



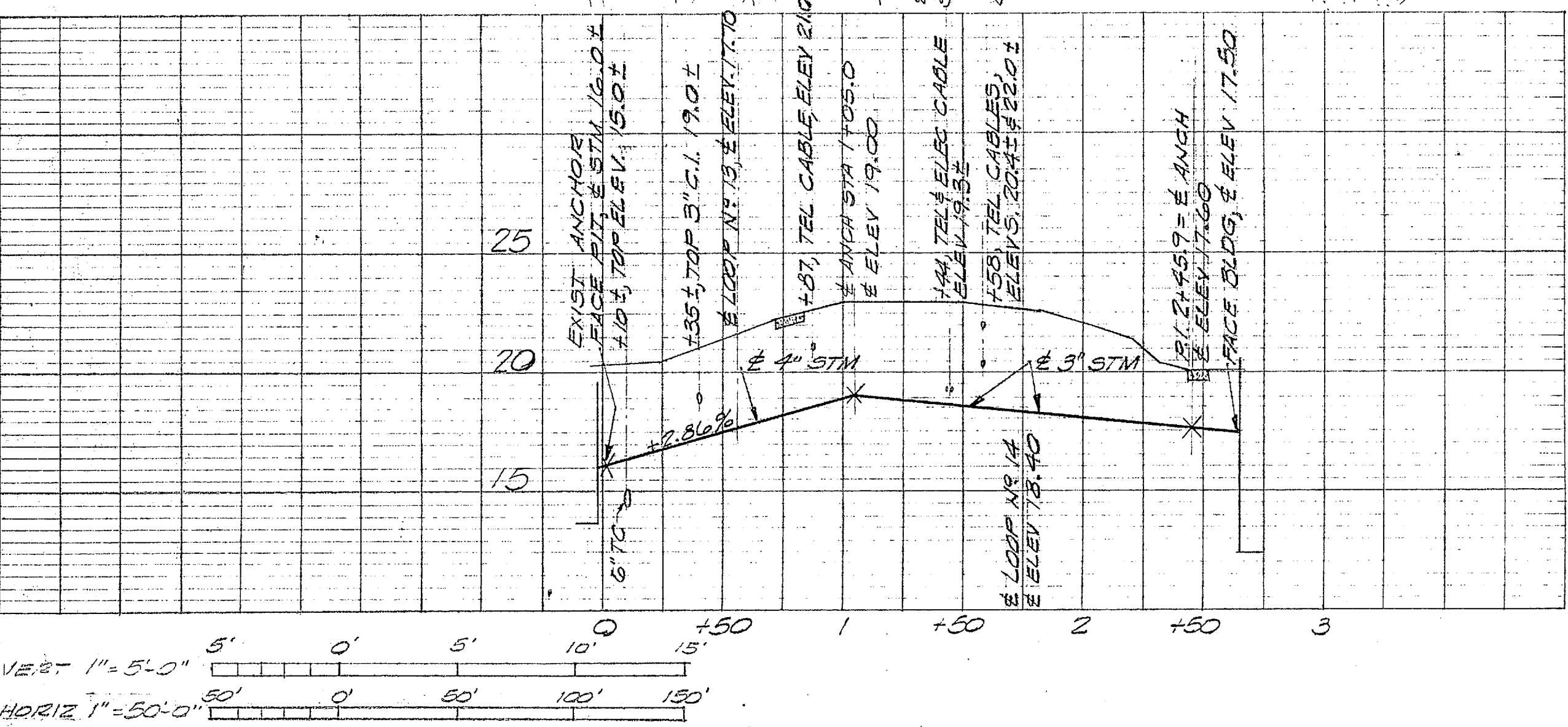
TYPICAL PLAN - NEW GRATING SCALE - 1/2" = 1'-0"



SECTION (A-A) SCALE - 3/8" = 1'-0"

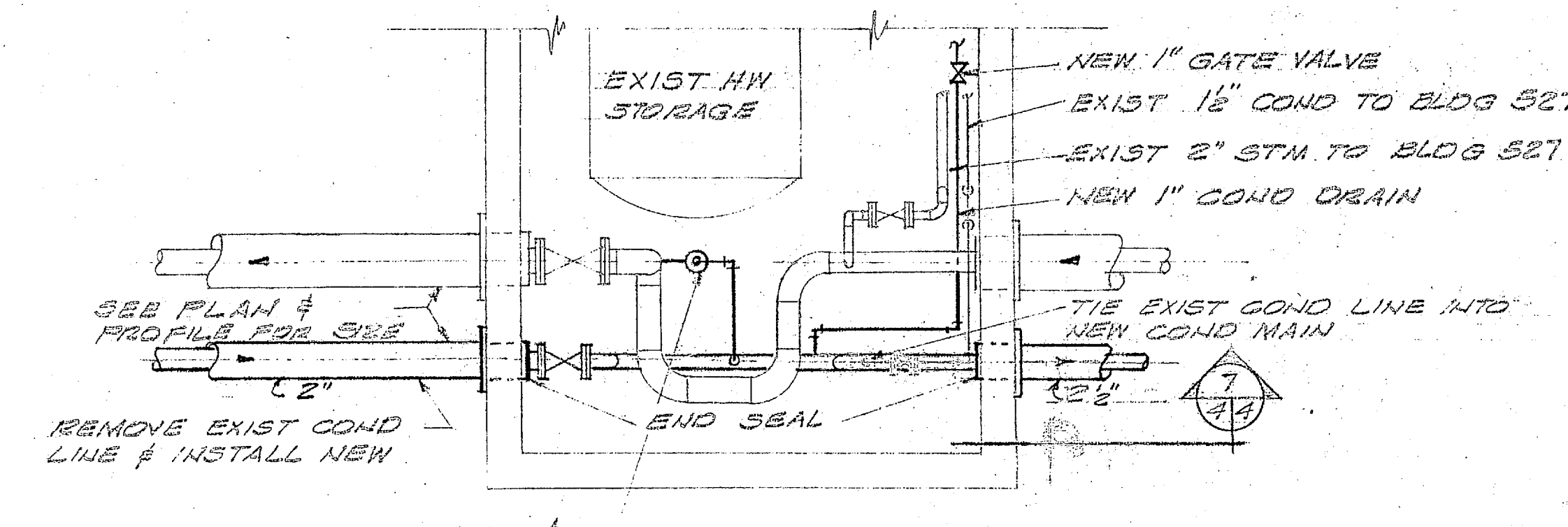
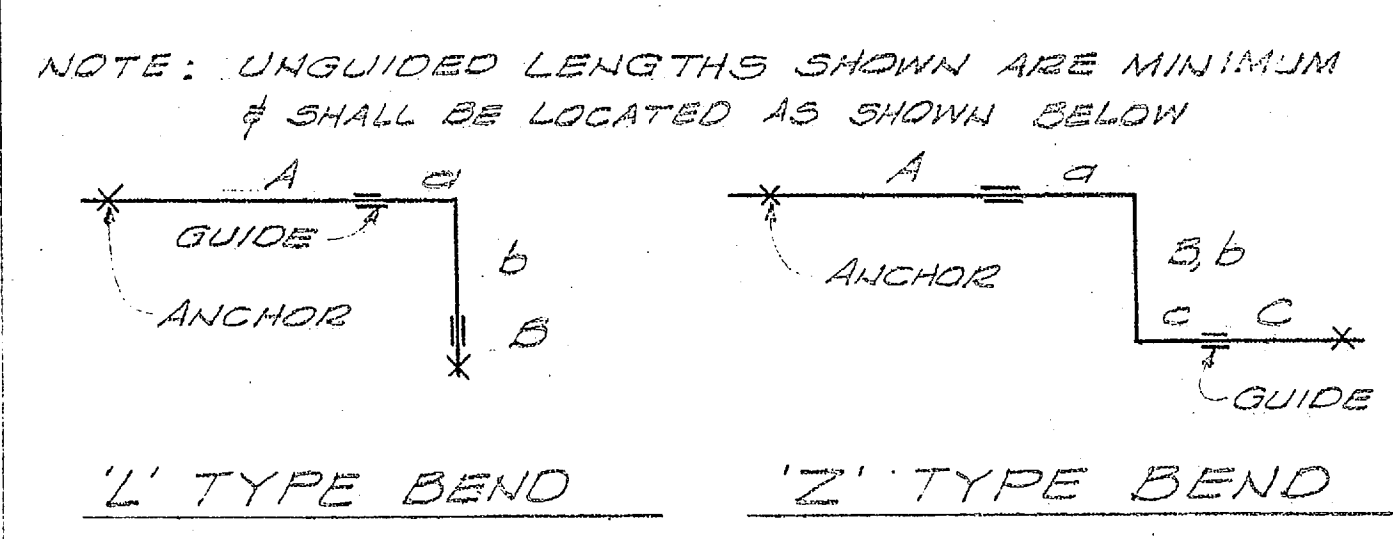
TYPICAL MODIFICATIONS TO EXIST PITS 299, 300, 301, 316, 317, & 318 (CONSTITUTES ADDITIVE BID ITEM NO. 1)

SCHEDULE OF PITS					
PIT NO	L	W	EXIST TOP ELEV	NEW TOP ELEV	
299	9'	6'	22.80	24.80	
300	9'	6'	18.10	20.10	
301	9'	6'	23.40	25.40	
316	11'	6'	20.60	22.60	
317	9'	6'	20.70	22.70	
318	11'	6'	22.50	22.50	

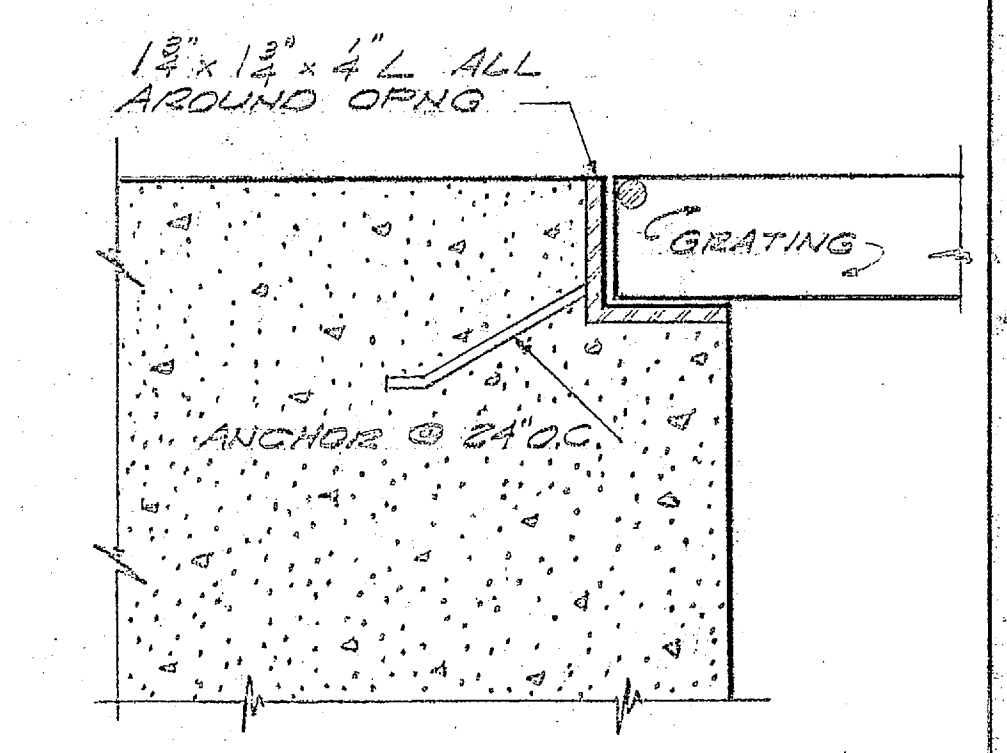


VERT 1" = 5'-0"
HORIZ 1" = 50'-0"

EXPANSION BEND SCHEDULE																							
BEND NO	TYPE	STM SIZE	COND UNGUIDED LTHS	LEG A EXPLAN	LEG B EXPLAN	LEG C EXPLAN	BEND NO	TYPE	STM SIZE	COND UNGUIDED LTHS	LEG A EXPLAN	LEG B EXPLAN	LEG C EXPLAN	BEND NO	TYPE	STM SIZE	COND UNGUIDED LTHS	LEG A EXPLAN	LEG B EXPLAN	LEG C EXPLAN			
1	Z	2"	10'	10'	10'	10'	13	Z	2"	10'	10'	10'	10'	25	Z	2"	10'	10'	10'	10'	10'		
2	L	2"	10'	10'	10'	10'	14	L	2"	10'	10'	10'	10'	26	L	2"	10'	10'	10'	10'	10'		
3	L	2"	10'	10'	10'	10'	15	Z	2"	10'	10'	10'	10'	27	Z	2"	10'	10'	10'	10'	10'		
4	L	2"	10'	10'	10'	10'	16	L	2"	10'	10'	10'	10'	28	L	2"	10'	10'	10'	10'	10'		
5	L	2"	10'	10'	10'	10'	17	L	2"	10'	10'	10'	10'										
6	L	2"	10'	10'	10'	10'	18	Z	2"	10'	10'	10'	10'										
7	Z	2"	10'	10'	10'	10'	19	Z	2"	10'	10'	10'	10'										
8	L	2"	10'	10'	10'	10'	20	L	2"	10'	10'	10'	10'										
9	Z	2"	10'	10'	10'	10'	21	Z	2"	10'	10'	10'	10'										
10	Z	2"	10'	10'	10'	10'	22	Z	2"	10'	10'	10'	10'										
11	Z	2"	10'	10'	10'	10'	23	Z	2"	10'	10'	10'	10'										
12	Z	2"	10'	10'	10'	10'	24	Z	2"	10'	10'	10'	10'										

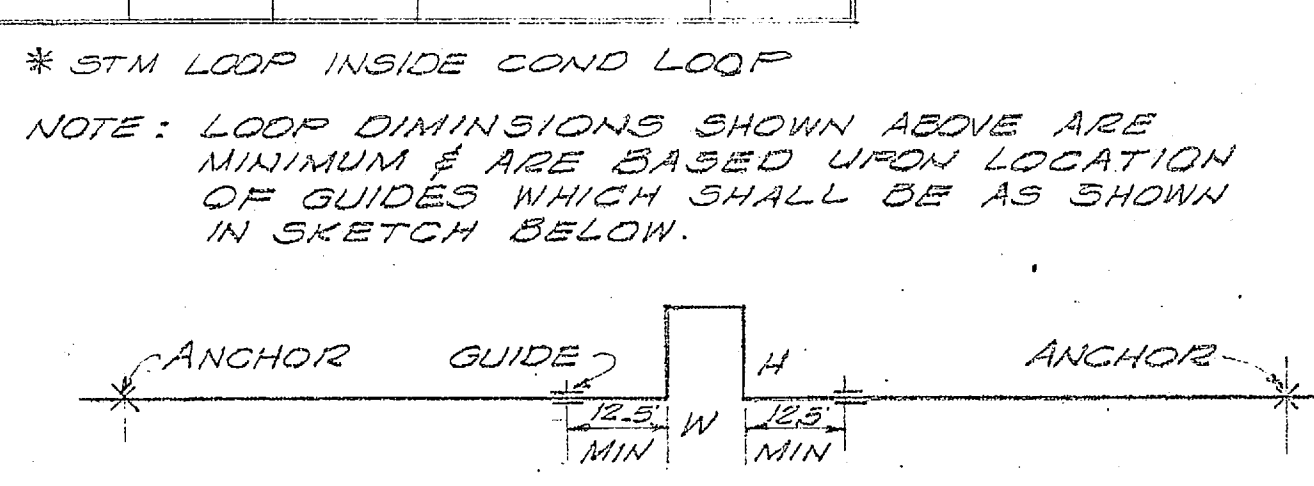


PLAN - PIPING CONNECTIONS BLDG PIT 527 SCALE - 3/8" = 1'-0"

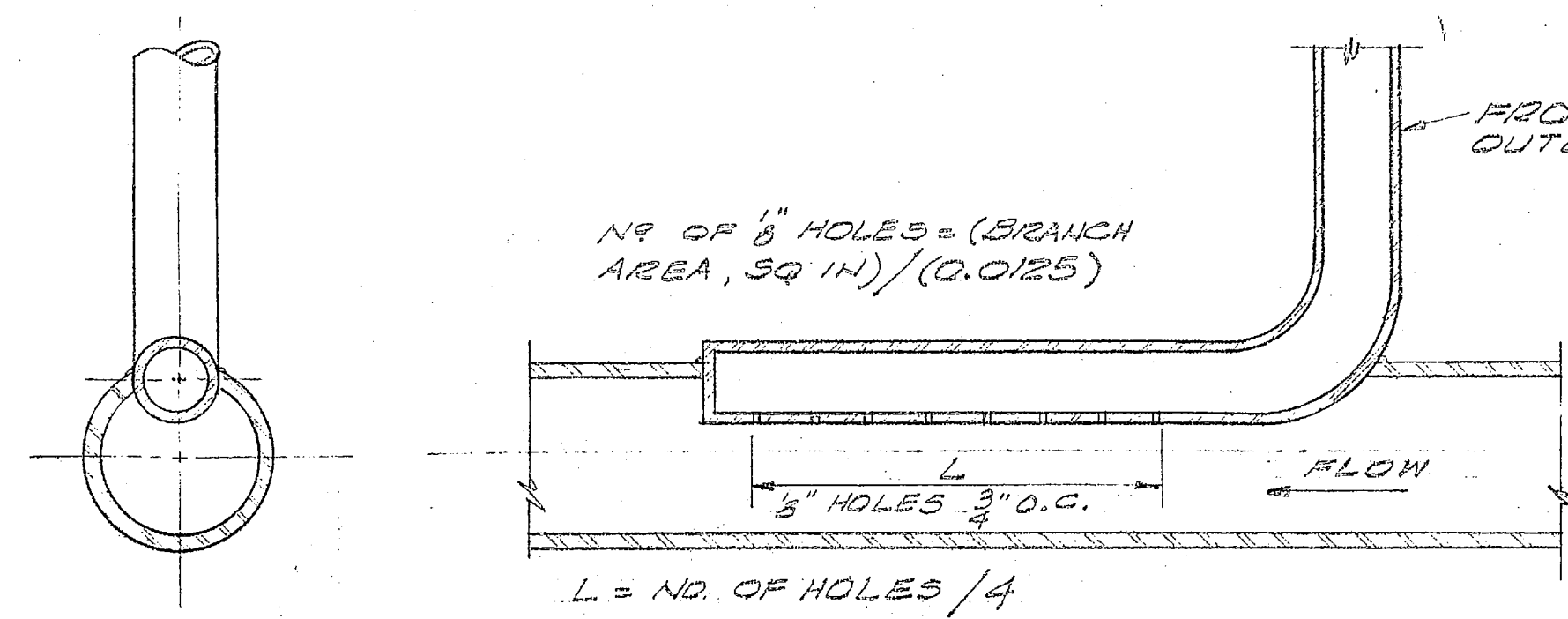


DETAIL (B-B) SCALE - 6" = 1'-0"

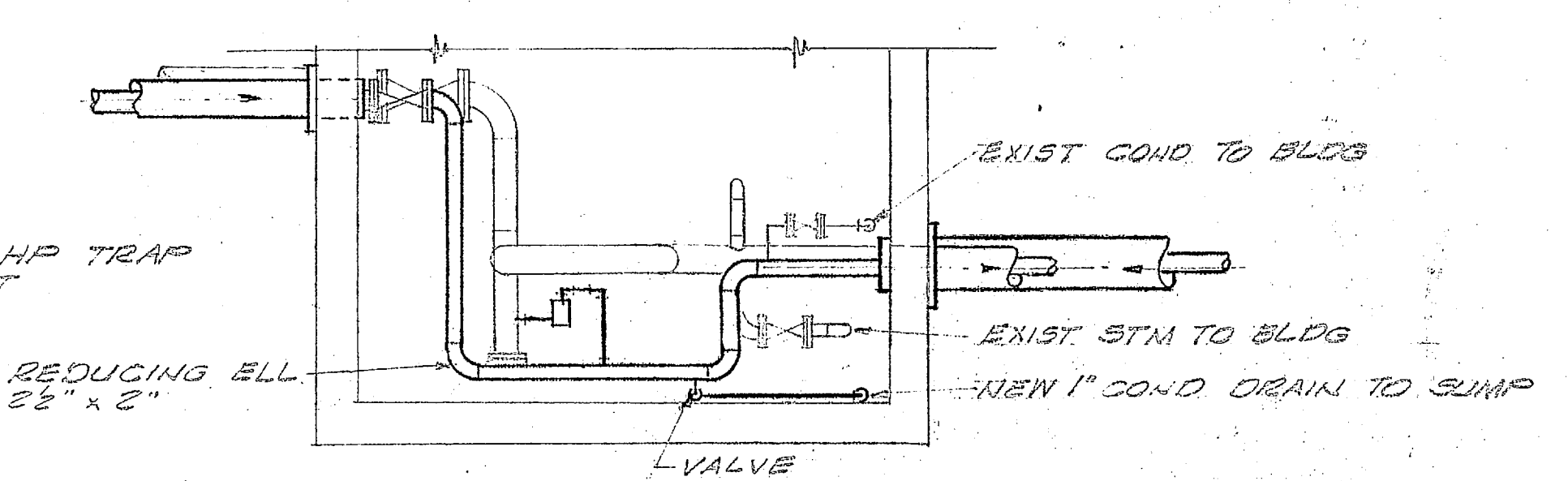
EXPANSION LOOP SCHEDULE									
LOOP NO	STM SIZE	COND SIZE	LOOP SIZE W x H	TOTAL EXPLAN	LOOP NO	STM SIZE	COND SIZE	LOOP SIZE W x H	TOTAL EXPLAN
1	2"	2"	4' x 4'	13'	12	4"	2"	7' x 14'	33'
2	2"	2"	5' x 5'	18'	13	3"	2"	4' x 8.5'	21'
3	2"	2"	5' x 10'	23'	14	3"	2"	4' x 8.5'	21'
4	2"	2"	5' x 10'	23'	15	3"	2"	4' x 8.5'	21'
5	2"	2"	5' x 10'	23'	16	3"	2"	4' x 8.5'	21'
6	2"	2"	5' x 10'	23'					
7	2"	2"	5' x 10'	23'					
*8	2"	1 1/2"	5' x 7'	18'					
*9	4"	2"	6' x 13'	47'					
10	4"	2"	6' x 12'	42'					
11	4"	2"	6' x 7.5'	28'					



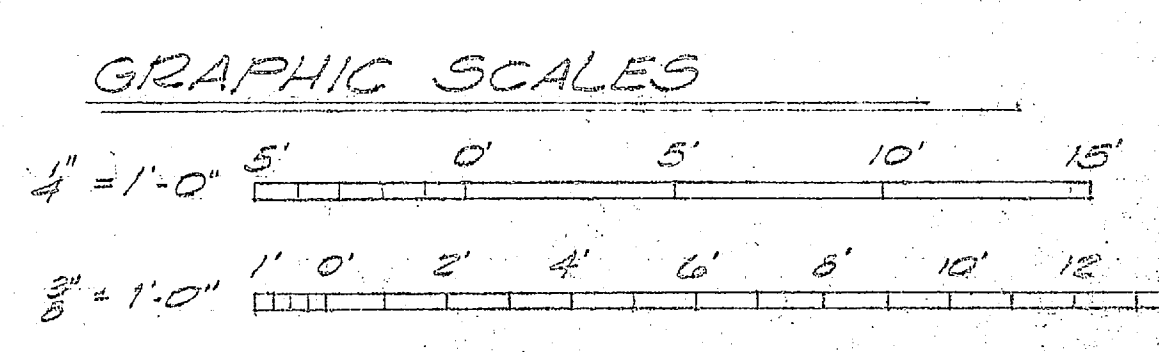
NOTE: EXPANSION BEND & LOOP SCHEDULES ABOVE APPLY ONLY TO PLAN & PROFILES ON NAVFAC DWG NOS. 4011922 & 4011923



DETAIL OF HIGH PRESSURE TRAP DISCHARGE TO RETURN MAIN NO SCALE

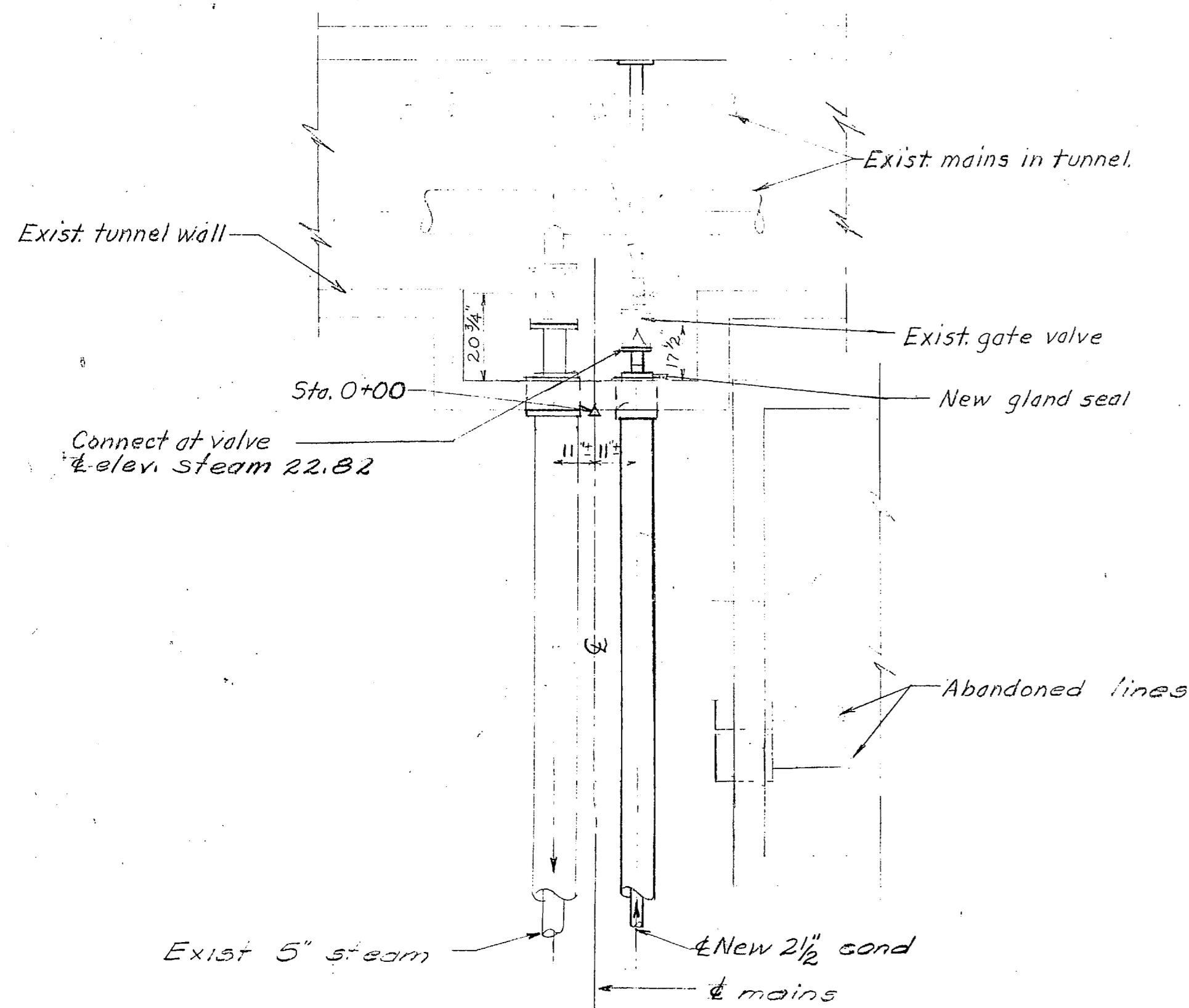


SECTION (C-C) SCALE - 3/8" = 1'-0"

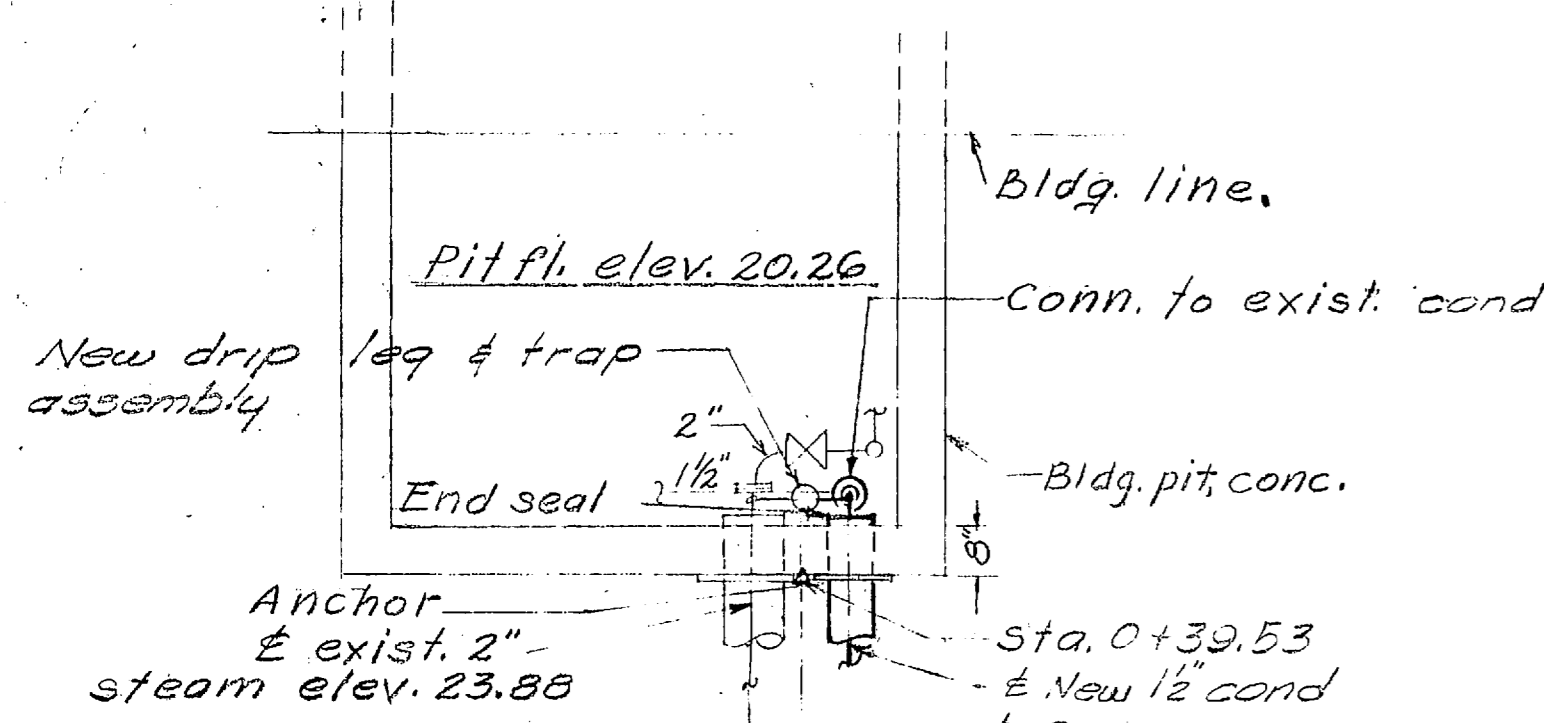


REVISIONS			
SYM	DESCRIPTION	DATE	APPROVED

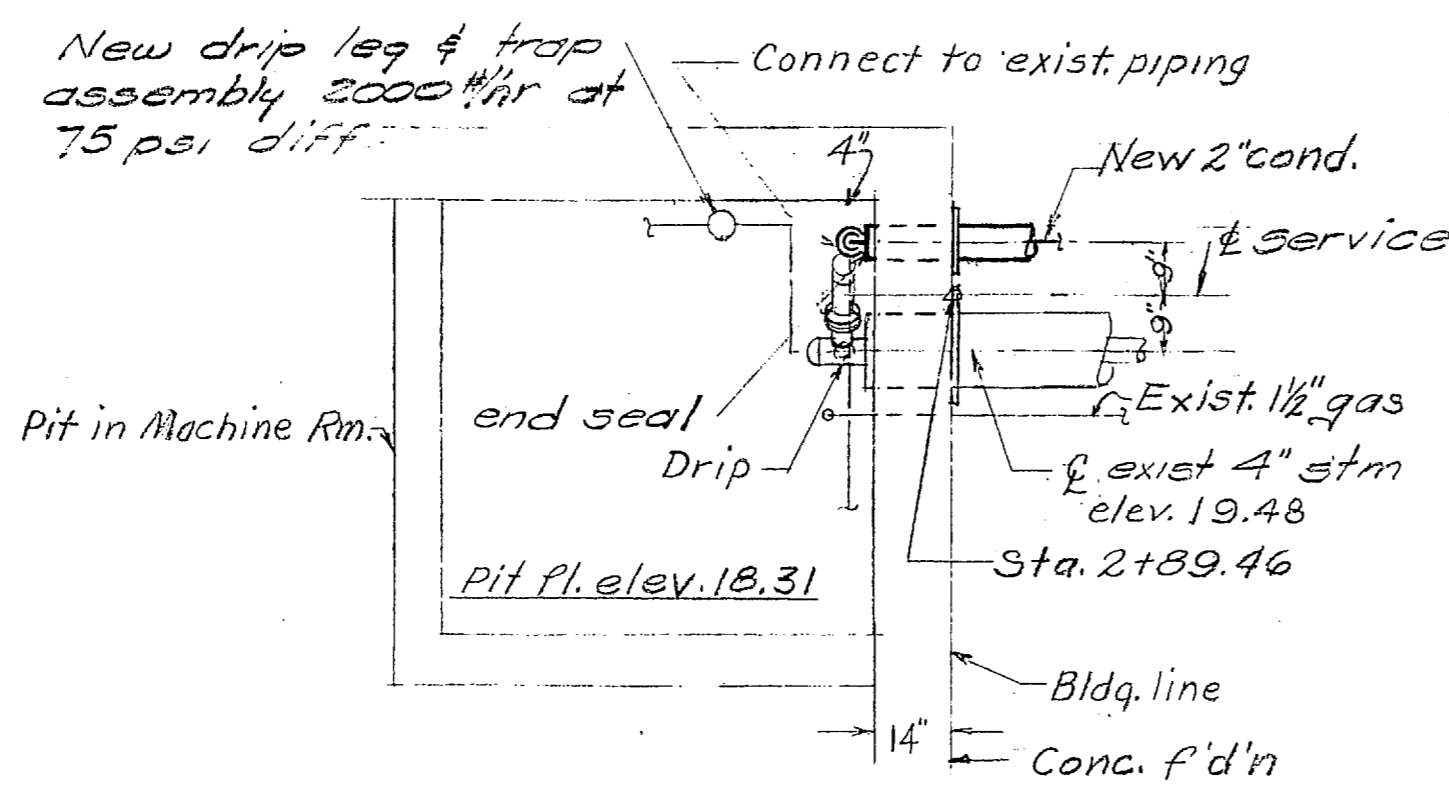
PUBLIC WORKS DEPT. MARINE CORPS BASE CAMP LEJUNE, N.C.		DEPARTMENT OF THE NAVY NAVAL FACILITIES ENGINEERING COMMAND ATLANTIC DIVISION	
DESIGNED BY: [Signature]		NAVAL STATION MARINE CORPS BASE, CAMP LEJUNE, N.C.	
APPROVED BY: [Signature]		REPLACE CONDENSATE LINES & RENOVATE MECHANICAL SYSTEMS	
PUBLIC WORKS OFFICER		REGIMENTAL AREA 5 (HQMC 6272)	
COMMANDING GENERAL		PLAN, PROFILES, & DETAILS	
NO. 80091		NAVFAC DRAWING NO. 4011923	
APPROVED BY: [Signature]		CONSTR. CONTR. NO. N62470-76-B-0709	
FOR COMMANDER, NAVFAC		SCALE AS SHOWN SPEC 05-76-0709 (REV) SHEET 4 OF 12	



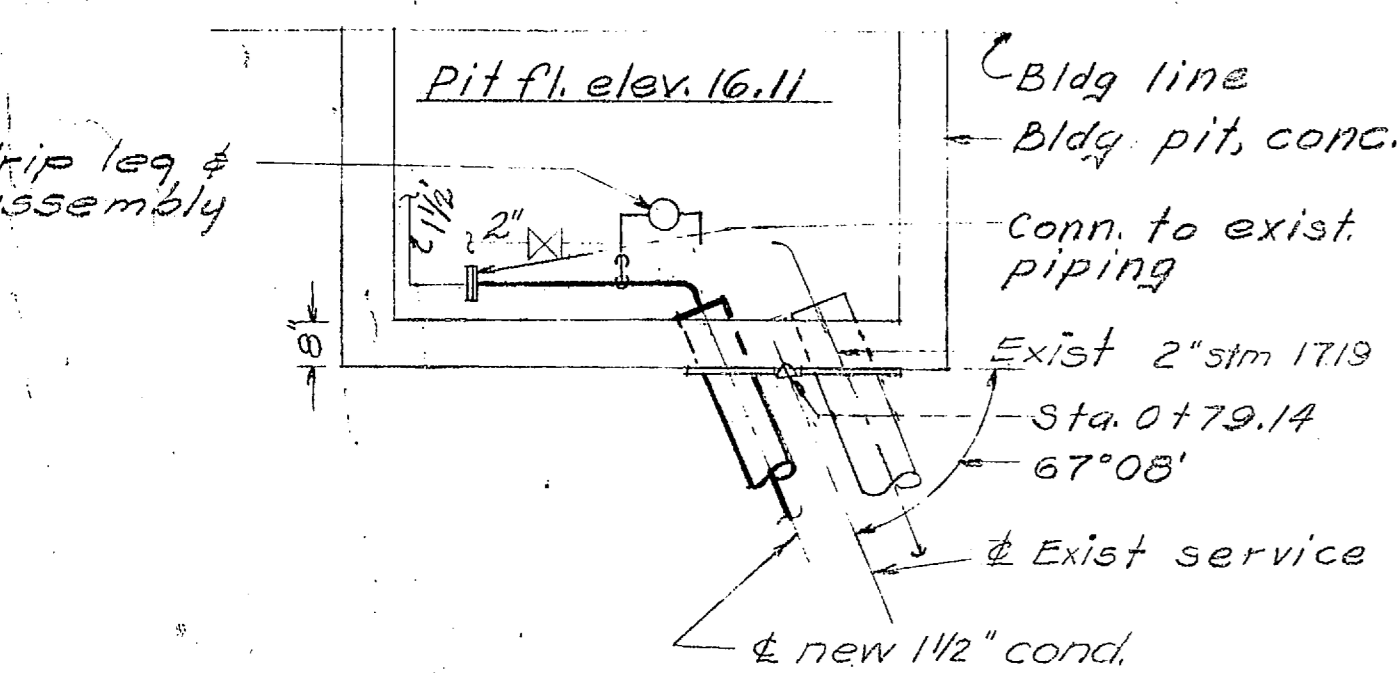
PLAN, NEW CONNECTIONS, EXIST. TUNNEL PIT, S-79
Scale: 3/8"=1'-0"



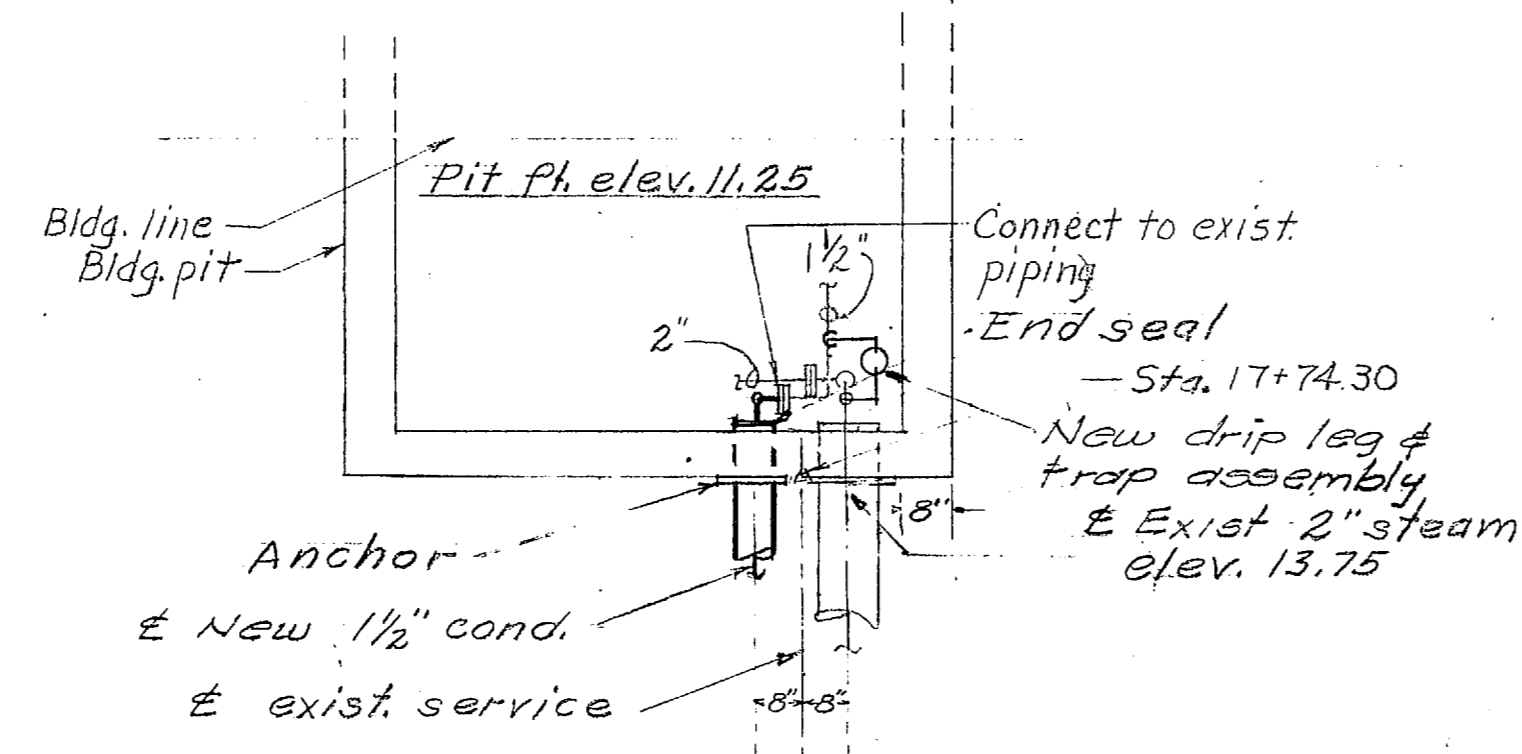
PLAN, NEW CONN'S IN PIT, BLDG. 500 & 501
Scale: 3/8"=1'-0"



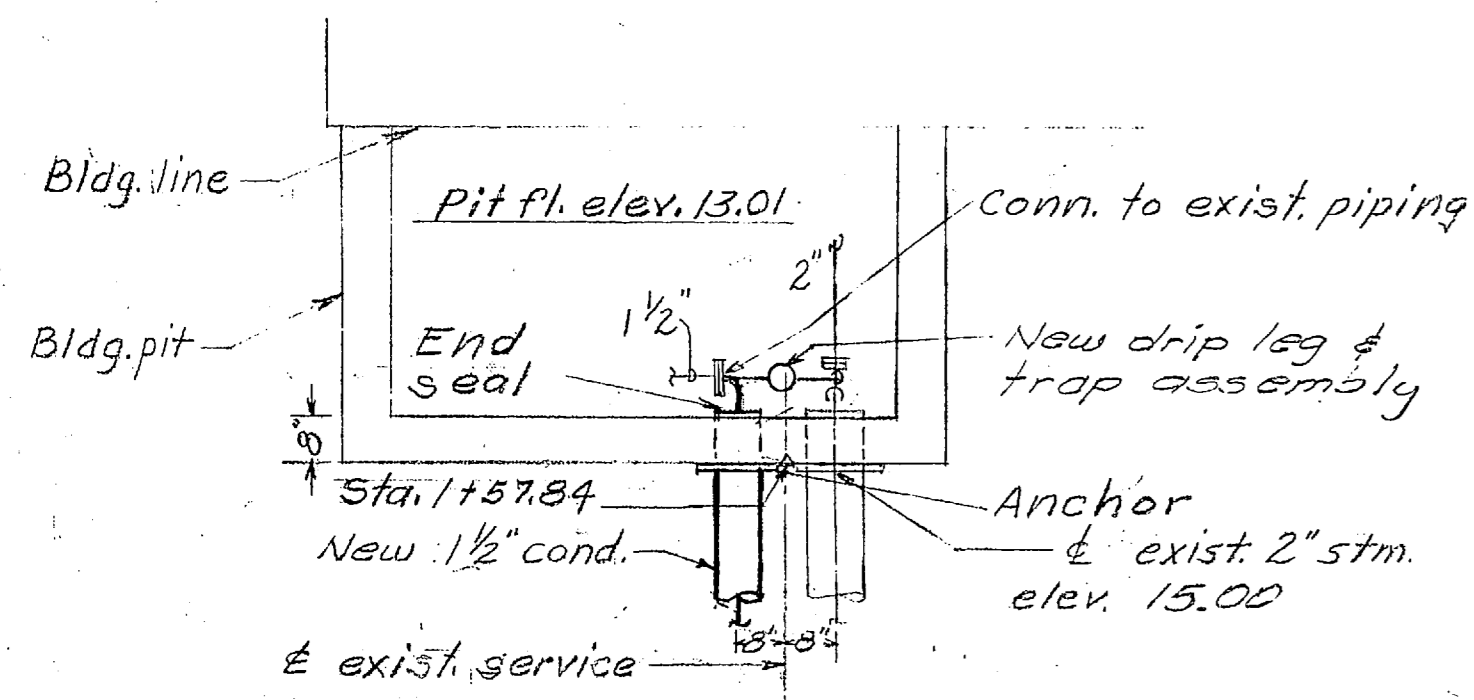
PLAN, NEW CONN'S IN PIT, BLDG. 508, 509, & 521
Scale: 3/8"=1'-0"



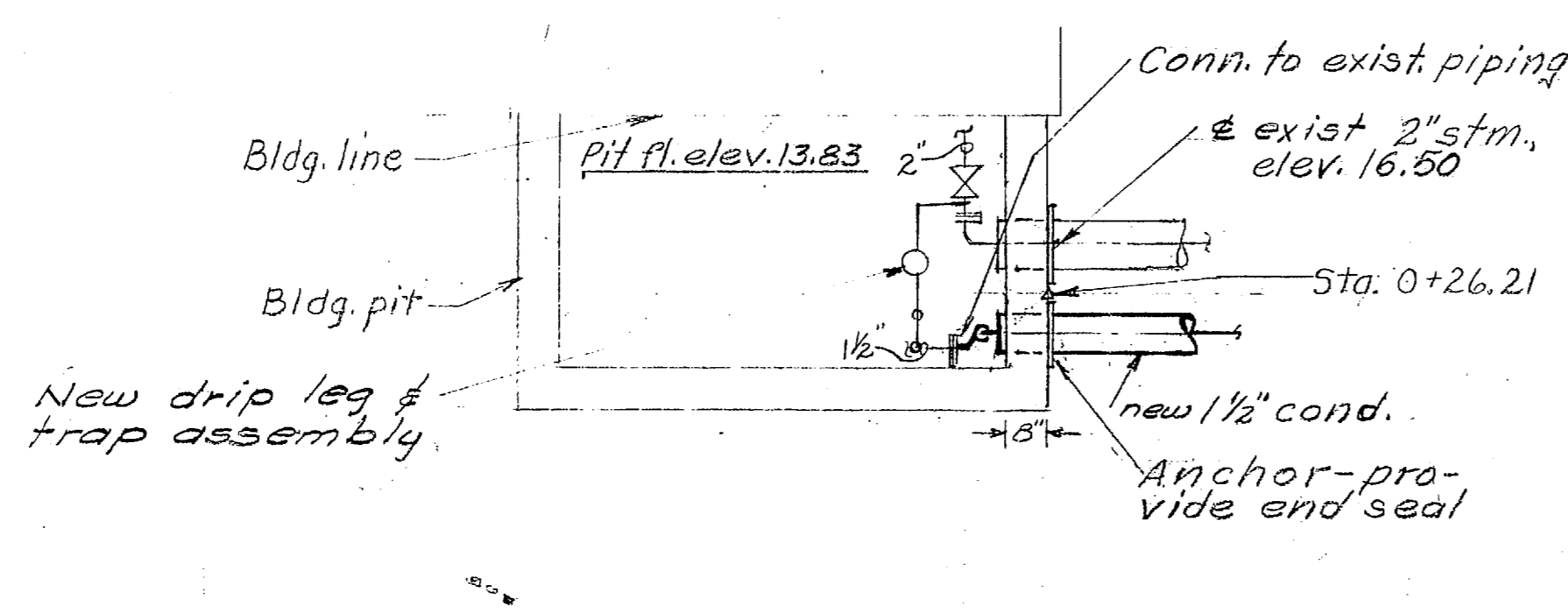
PLAN, NEW CONN'S IN PIT, BLDG. 520
Scale: 3/8"=1'-0"



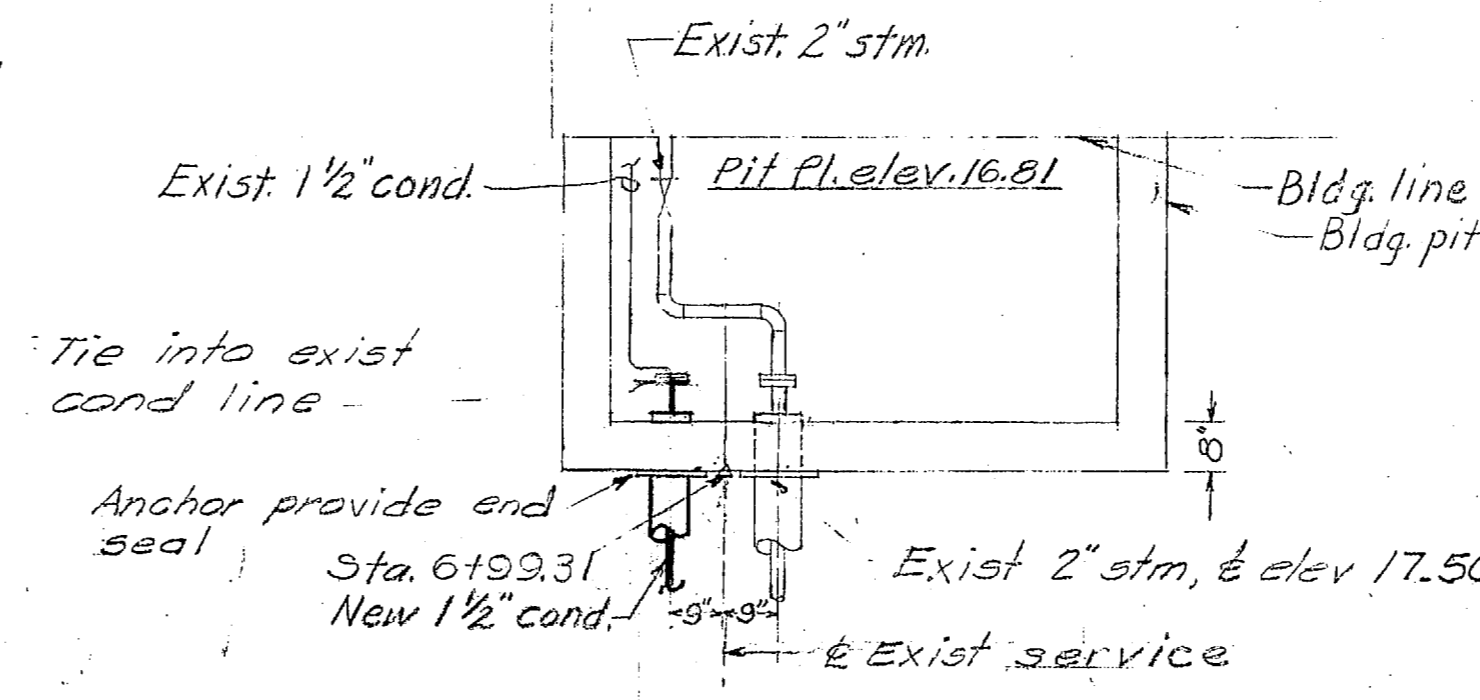
PLAN, NEW CONN'S IN PIT, BLDG. 518 & 524
Scale: 3/8"=1'-0"



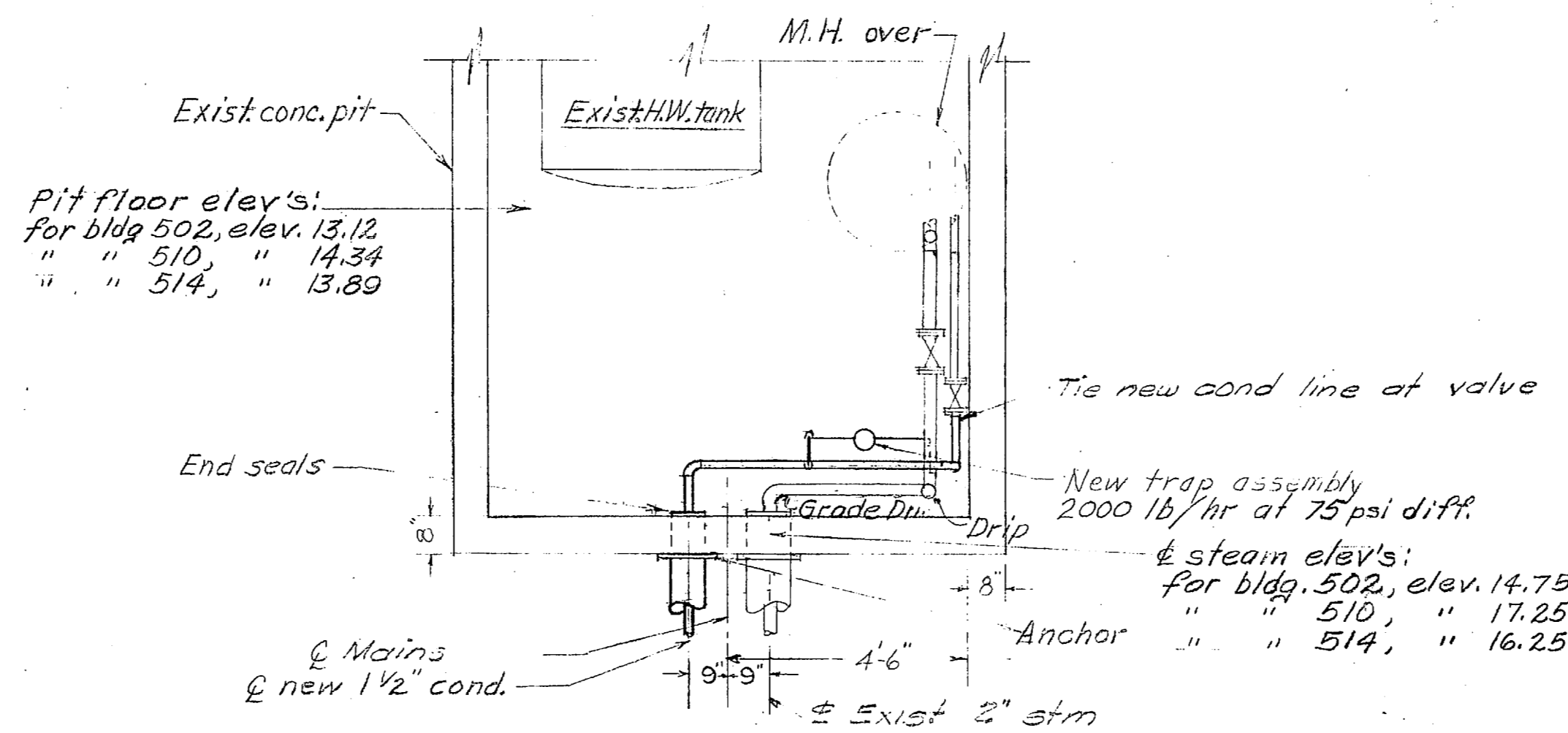
PLAN, NEW CONN'S IN PIT, BLDG. 516
Scale: 3/8"=1'-0"



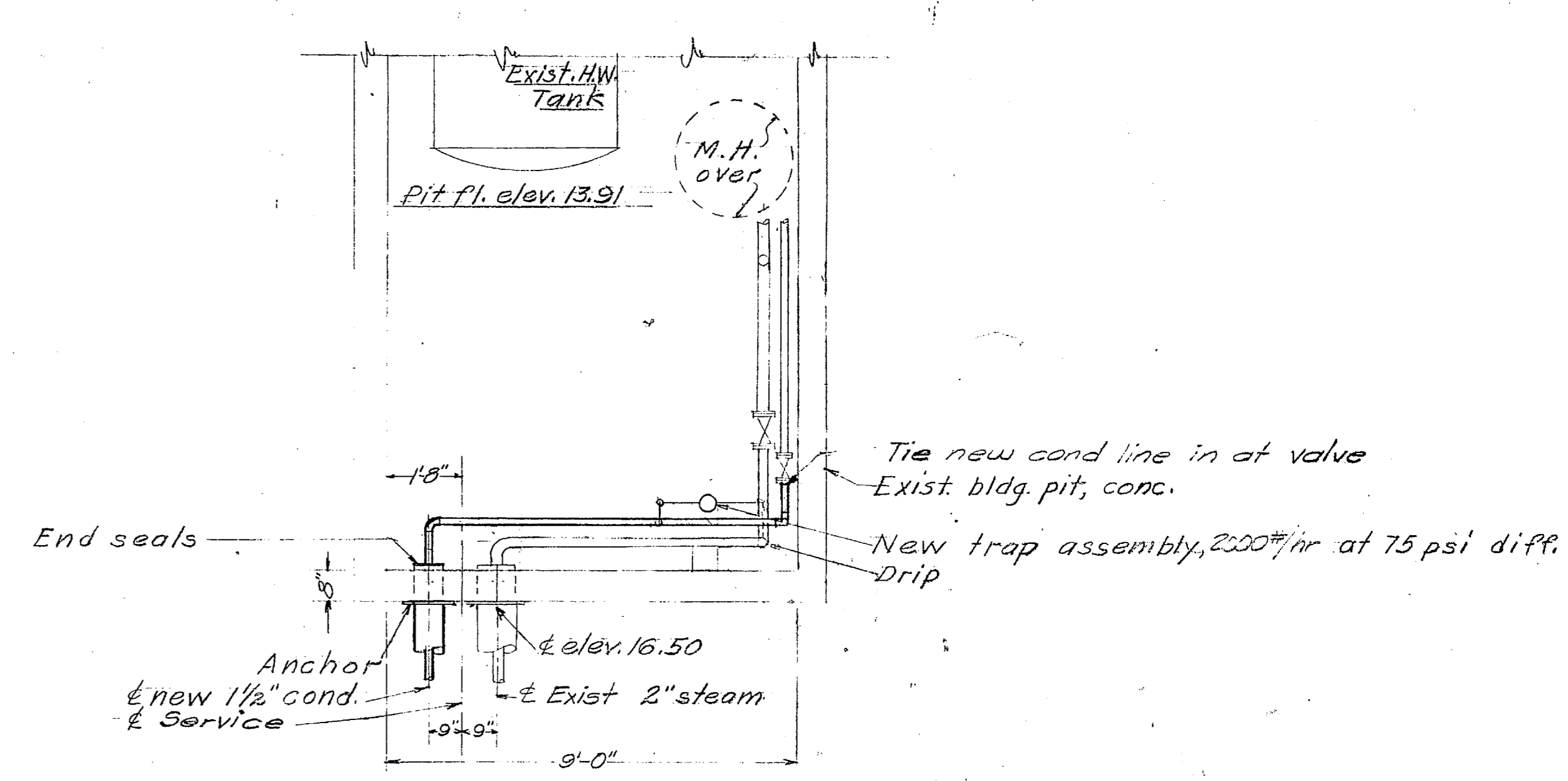
PLAN, NEW CONN'S IN PIT, BLDG. 526
Scale: 3/8"=1'-0"



PLAN, NEW CONN'S IN PIT, BLDG. 522
Scale: 3/8"=1'-0"

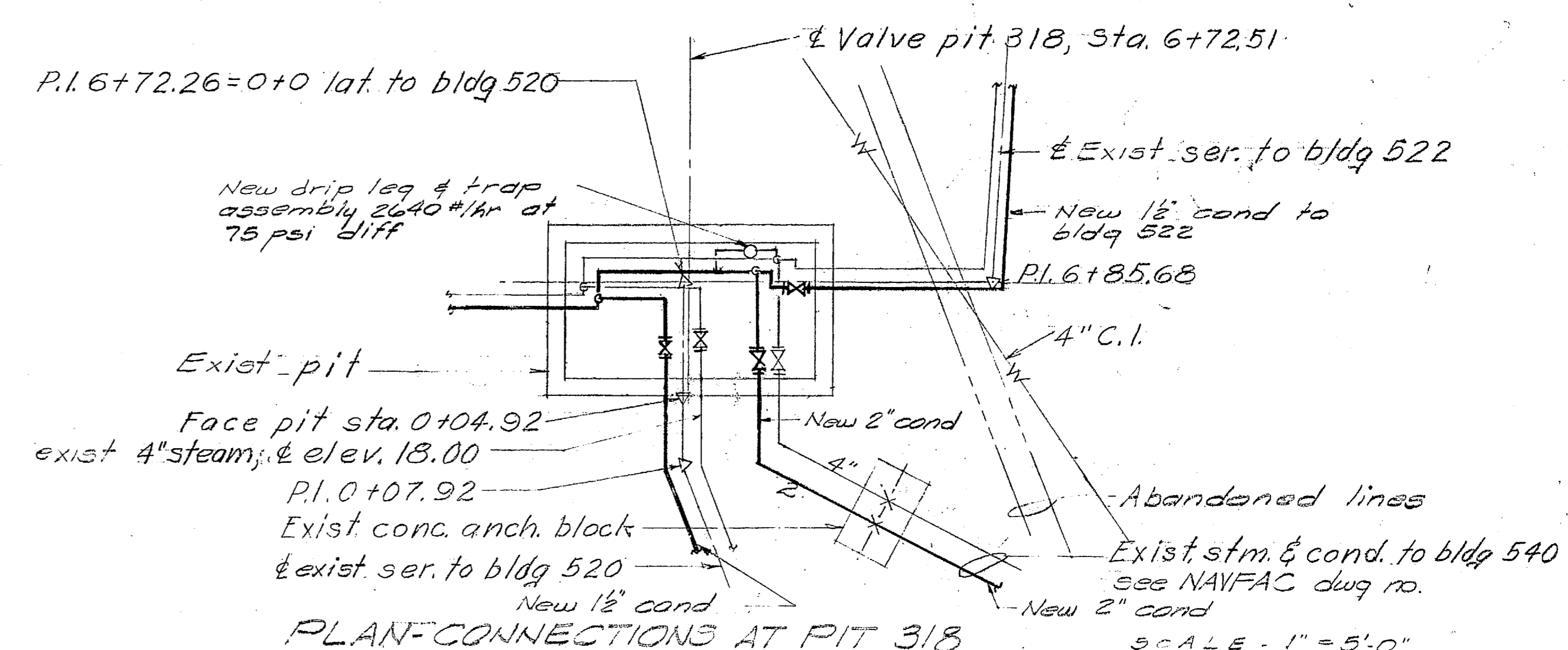


PLAN, NEW TYPICAL PIPING CONNECTIONS IN BLDG. PITS 502, 510 & 514
Scale: 3/8"=1'-0"



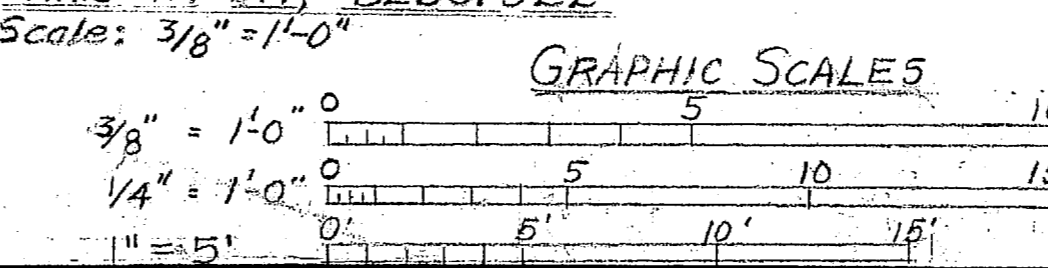
PLAN, NEW CONN'S IN PIT, BLDG. 506
Scale: 3/8"=1'-0"

TRAP SCHEDULE		
BLDG PIT #	CONDENSATE	PRESSURE
\$ M.H. PIT #	LB3./HR	DIFFERENTIAL
500	100	7.5 LBS
501	100	
502	3550	
503	3000	
504	100	
507	4000	
508	1600	
509	400	
510	1250	
511	5550	
514	850	
515	1070	
516	300	
517	2210	
518	700	
519	2300	
520	100	
521	1700	
522	100	
523	2800	
526	100	
527	2300	
540	900	
MH 299	5250	
MH 300	3000	
MH 301	1250	
MH 312	2550	
MH 317	550	
MH 318	3700	7.5 LBS



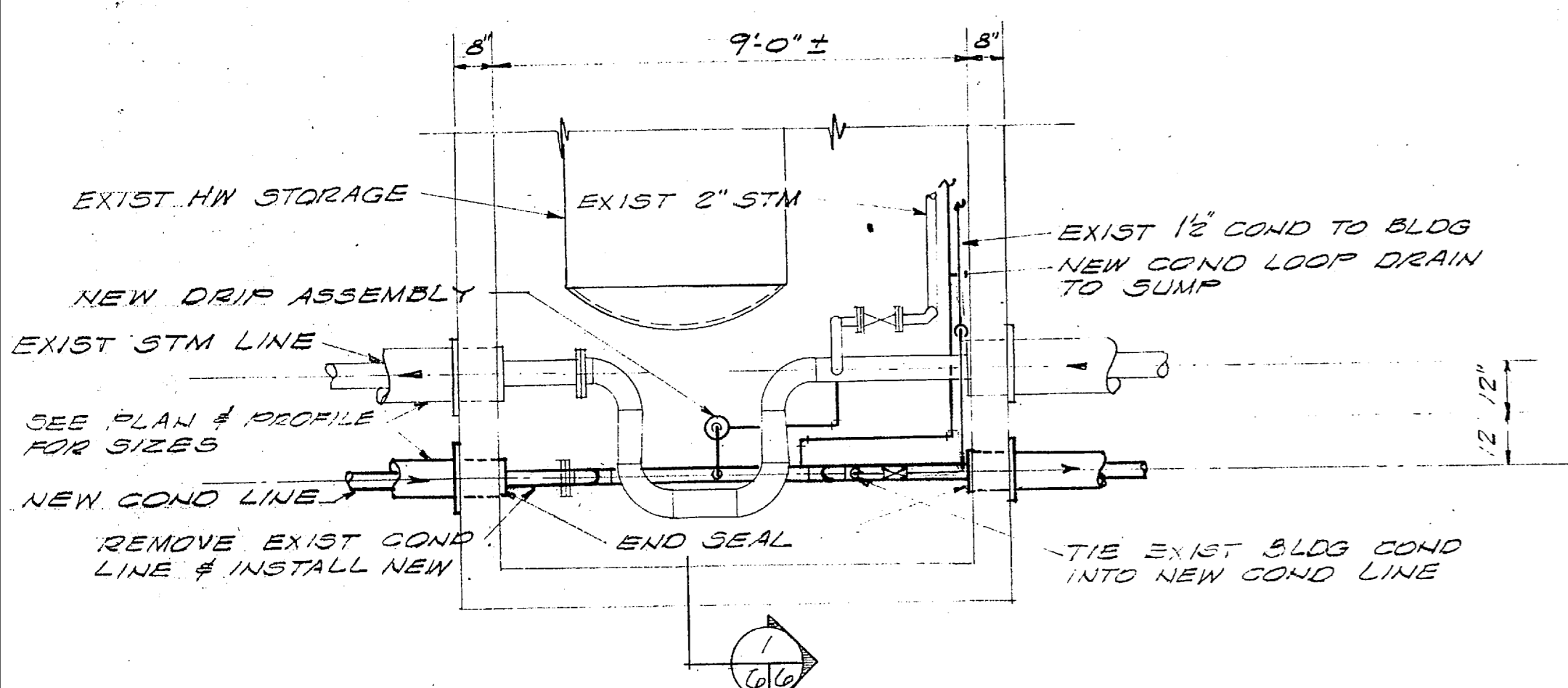
PLAN-CONNECTIONS AT PIT 318
SCALE: 1"=5'-0"

NOTE
REMOVE EXIST COND LINES & INSTALL NEW

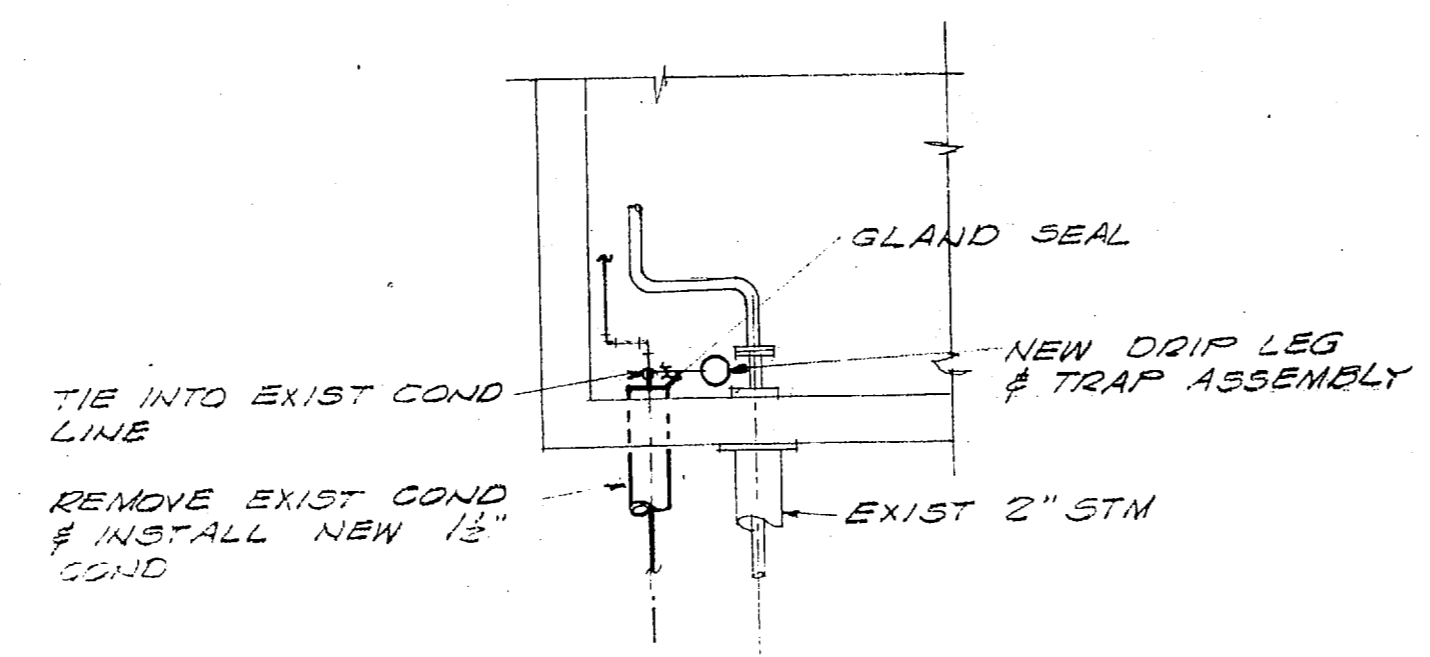


REVISIONS		DATE		APPROVED	
SYM	DESCRIPTION				

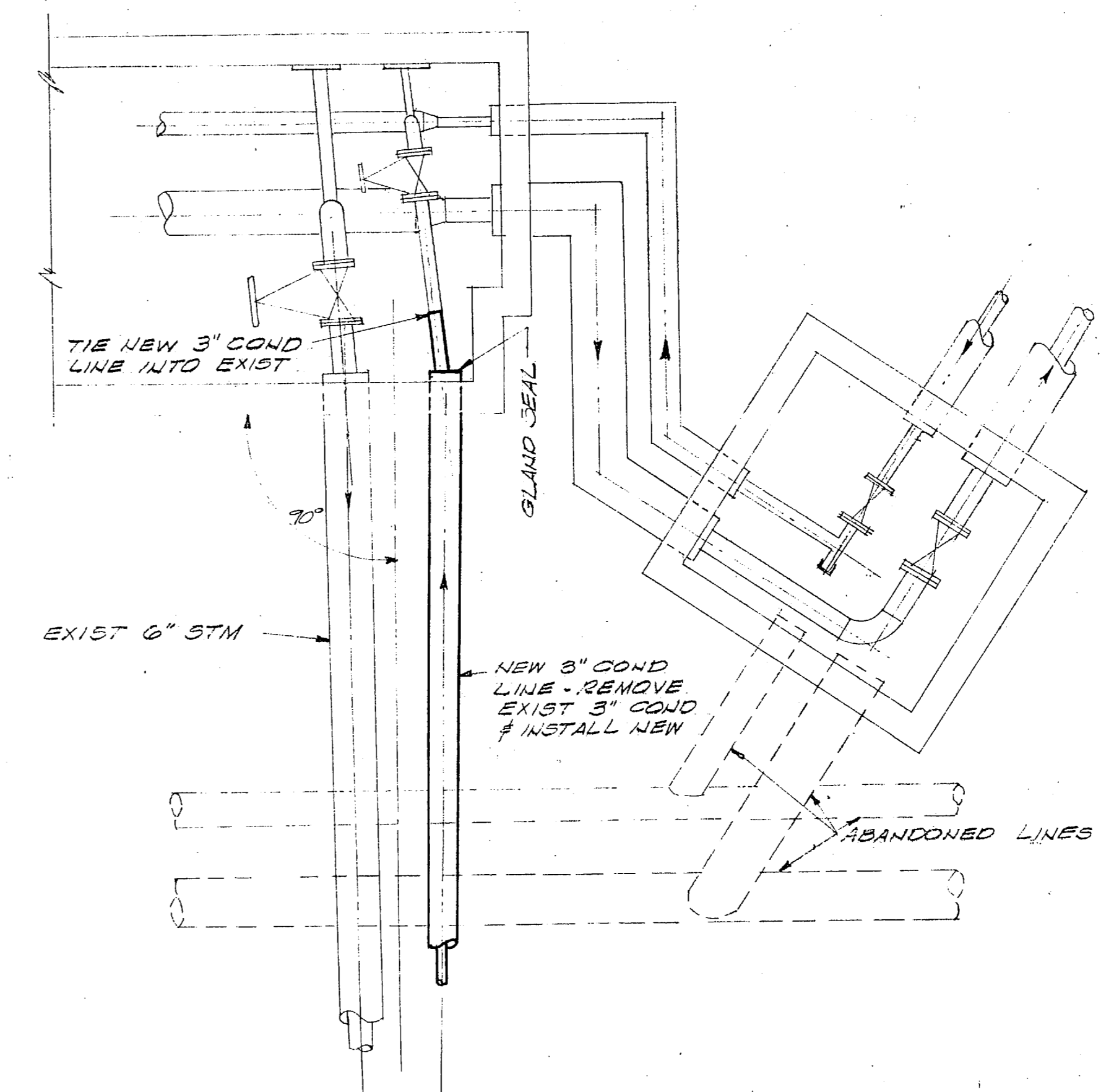
PUBLIC WORKS DEPT. MARINE CORPS BASE CAMP LEJEUNE, N.C.		DEPARTMENT OF THE NAVY NAVAL FACILITIES ENGINEERING COMMAND ATLANTIC DIVISION NORFOLK, VIRGINIA	
DESIGNED BY: DR. C. C. CHICK PROJ. MGR. DR. C. C. CHICK APPROVED BY: DR. C. C. CHICK PUBLIC WORKS OFFICER SATISFACTORY TO: DATE		MARINE CORPS BASE, CAMP LEJEUNE, N.C. REPLACE CONDENSATE LINES & RENOVATE MECHANICAL SYSTEMS REGIMENTAL AREA 5 (HOMC 6272) DETAILS	
COMMANDING GENERAL	SIZE	CODE IDENT NO.	NAVFAC DRAWING NO.
LEFD	RVD	F 80091	401924
ND	DIR	CONSTR. CONTR. NO. N 62470-76-B-0709	
APPROVED BY: DR. C. C. CHICK FOR COMMANDER, NAVFAC	SCALE AS SHOWN	SPEC 05-78-0709 (REV)	SHEET 3 OF 12



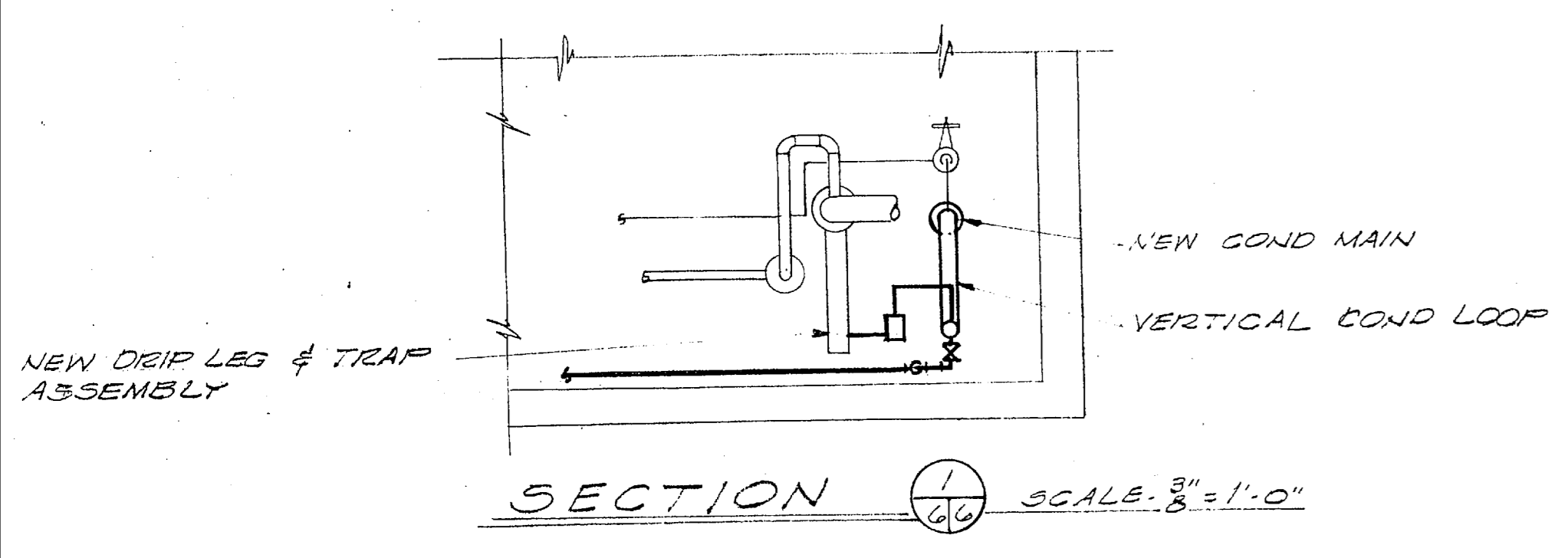
PLAN-TYPICAL PIPING CONNECTIONS
IN BLDG PITS 507, 515 & 517 SCALE: 3/8"=1'-0"



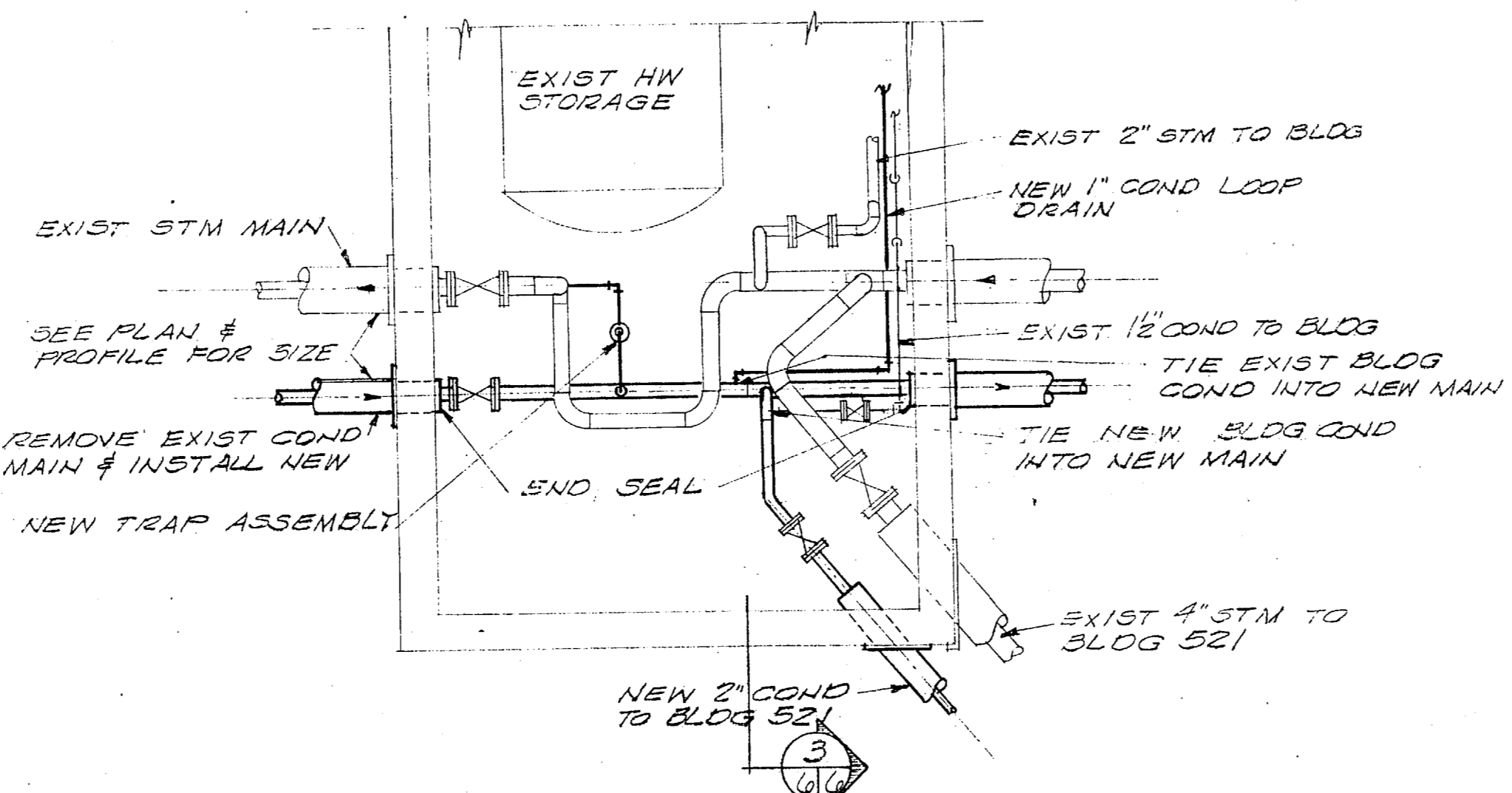
PLAN-PIPING CONNECTIONS
IN BLDG PIT 522 SCALE: 3/8"=1'-0"



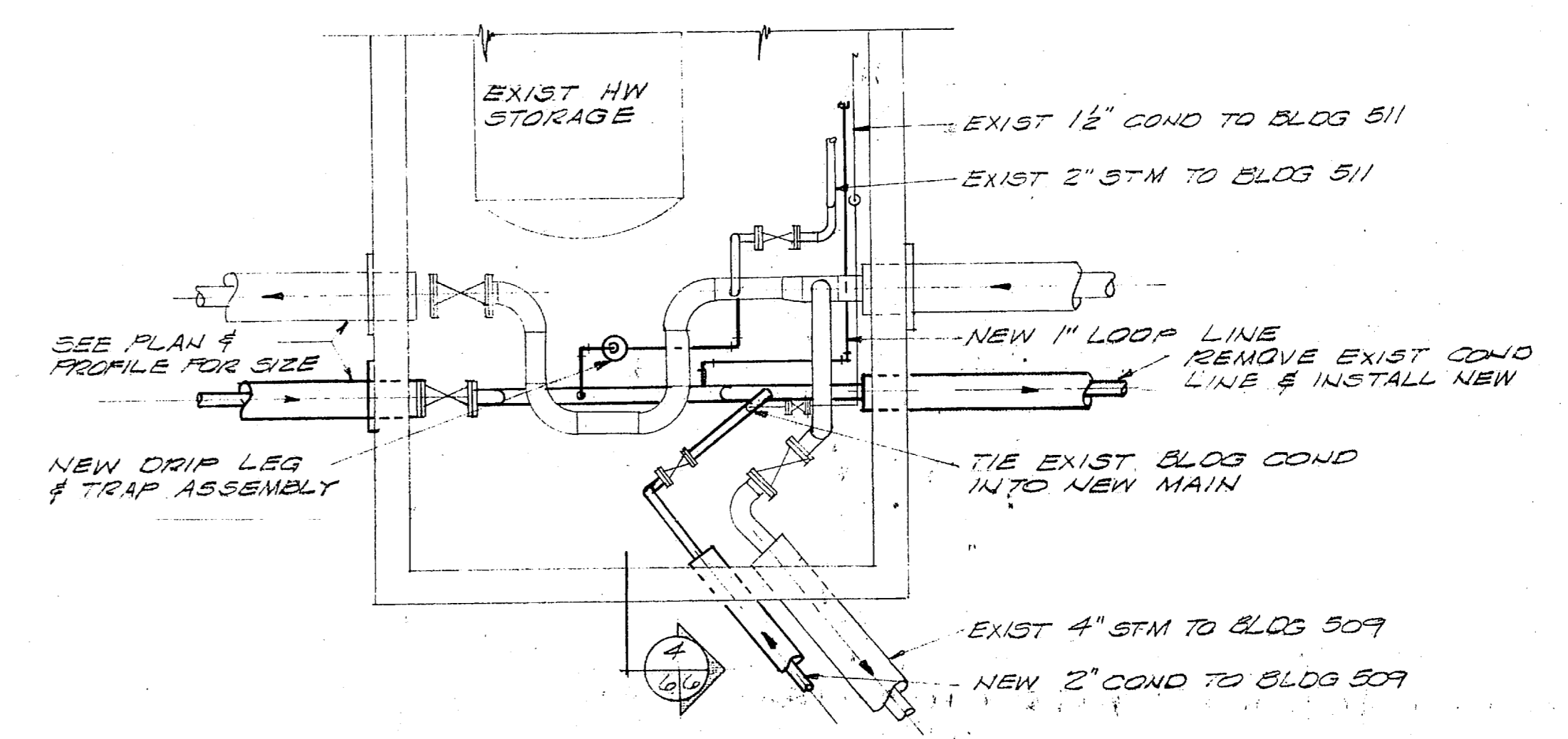
PLAN-CONNECTION-PIT 5-81 SCALE: 3/8"=1'-0"



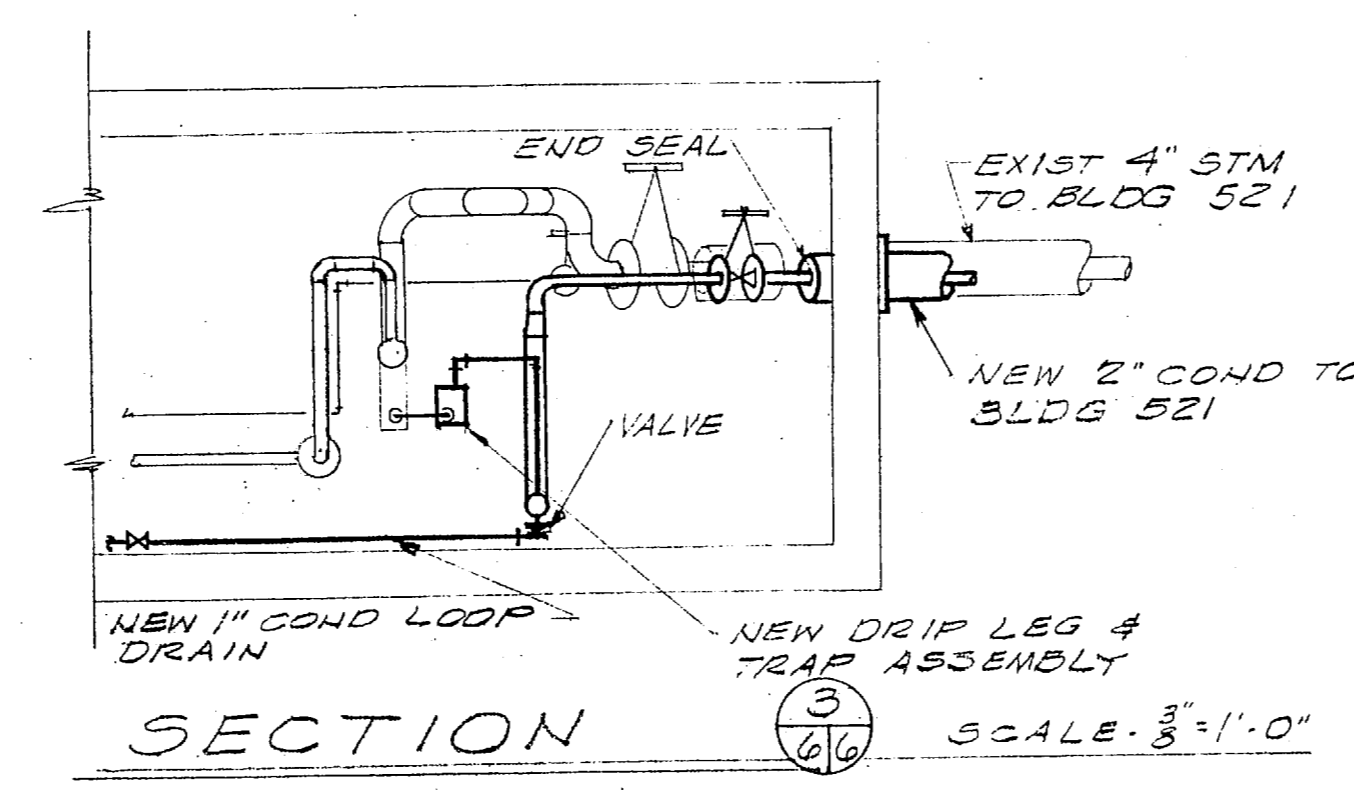
PLAN-TYPICAL PIPING CONNECTIONS
IN BLDG PITS 503, 519, SCALE: 3/8"=1'-0"



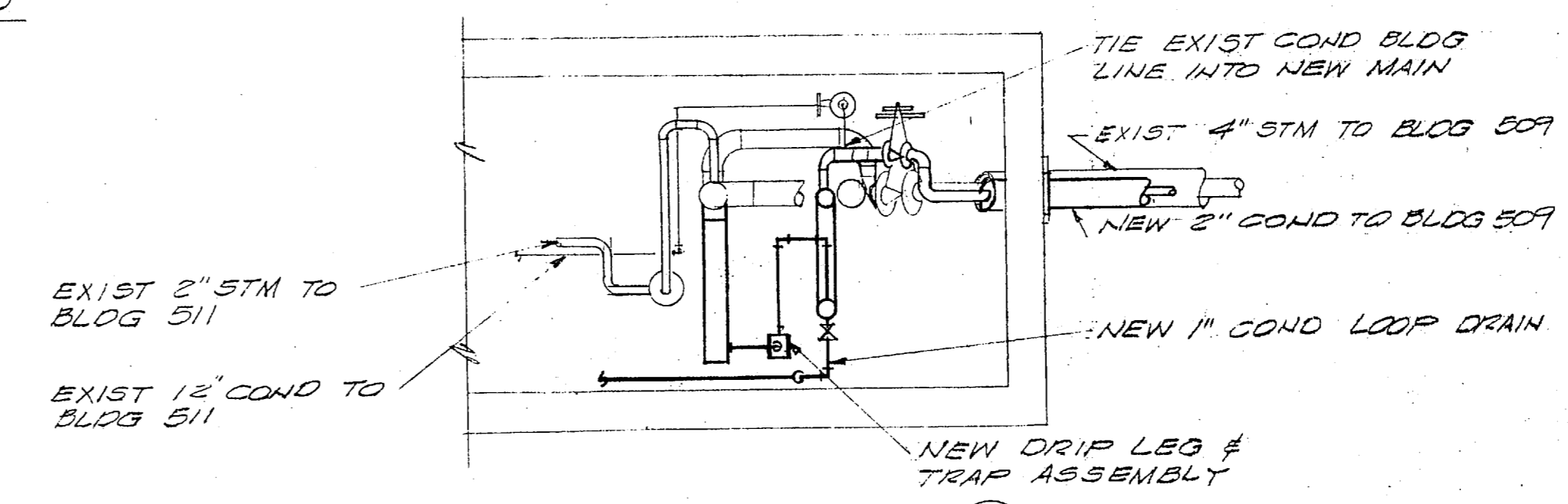
PLAN-TYPICAL PIPING CONNECTIONS
BLDG PIT 523 SCALE: 3/8"=1'-0"



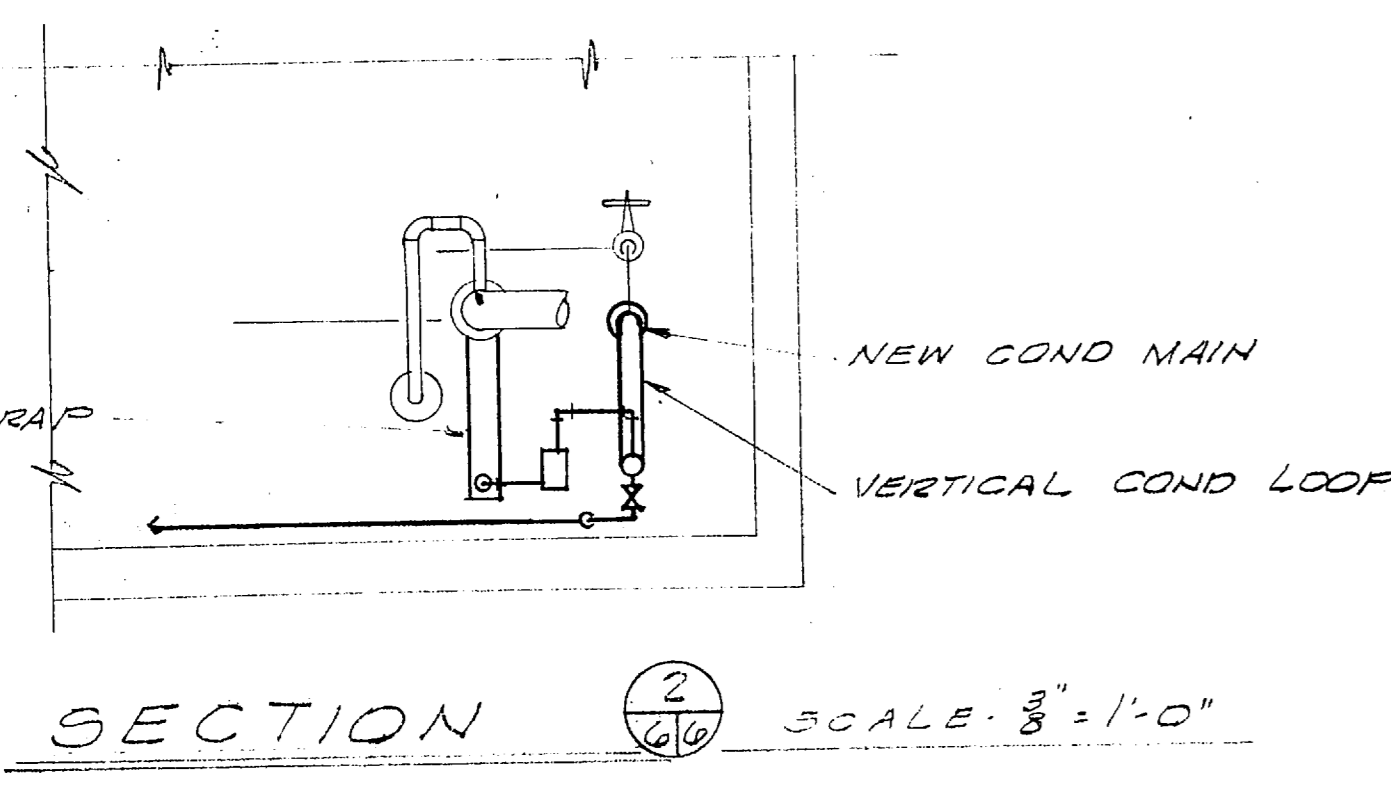
PLAN-PIPING CONNECTIONS BLDG PIT 511 SCALE: 3/8"=1'-0"



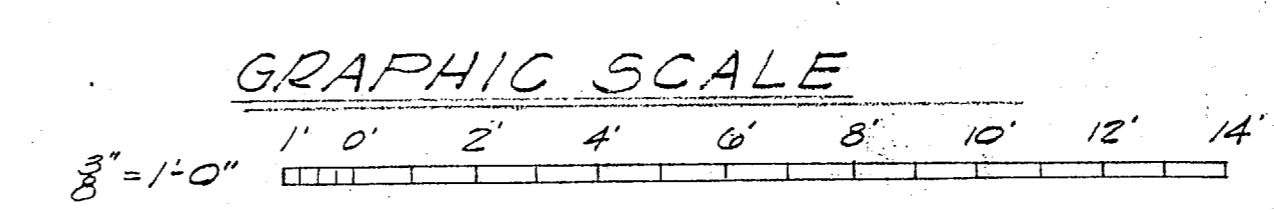
SECTION SCALE: 3/8"=1'-0"



SECTION SCALE: 3/8"=1'-0"



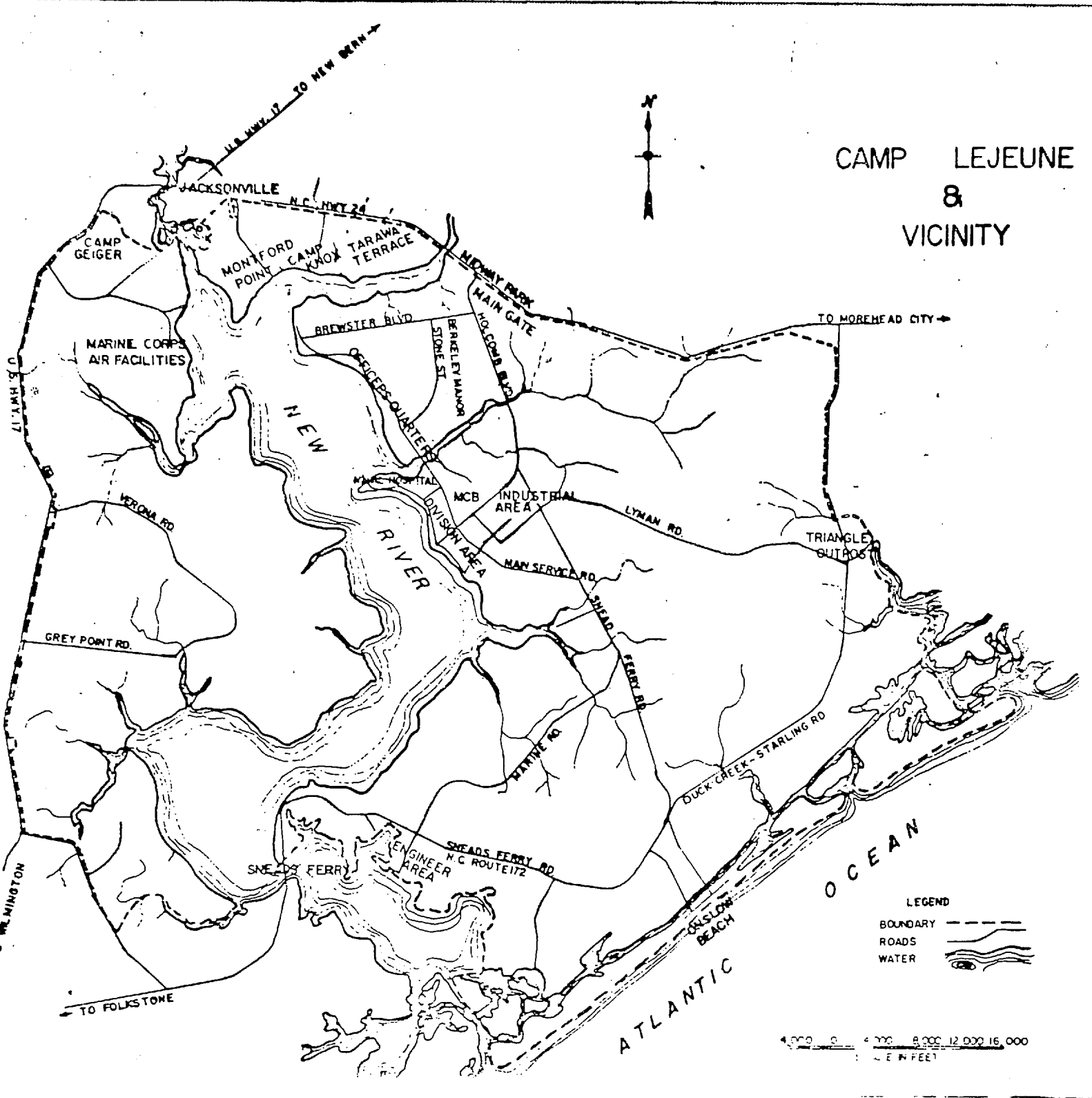
SECTION SCALE: 3/8"=1'-0"



GRAPHIC SCALE

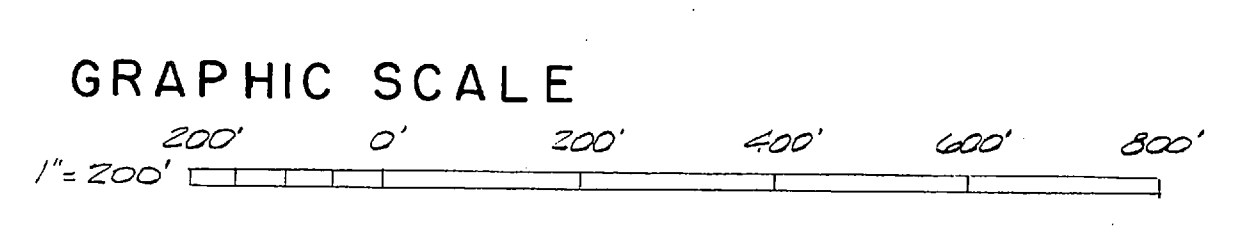
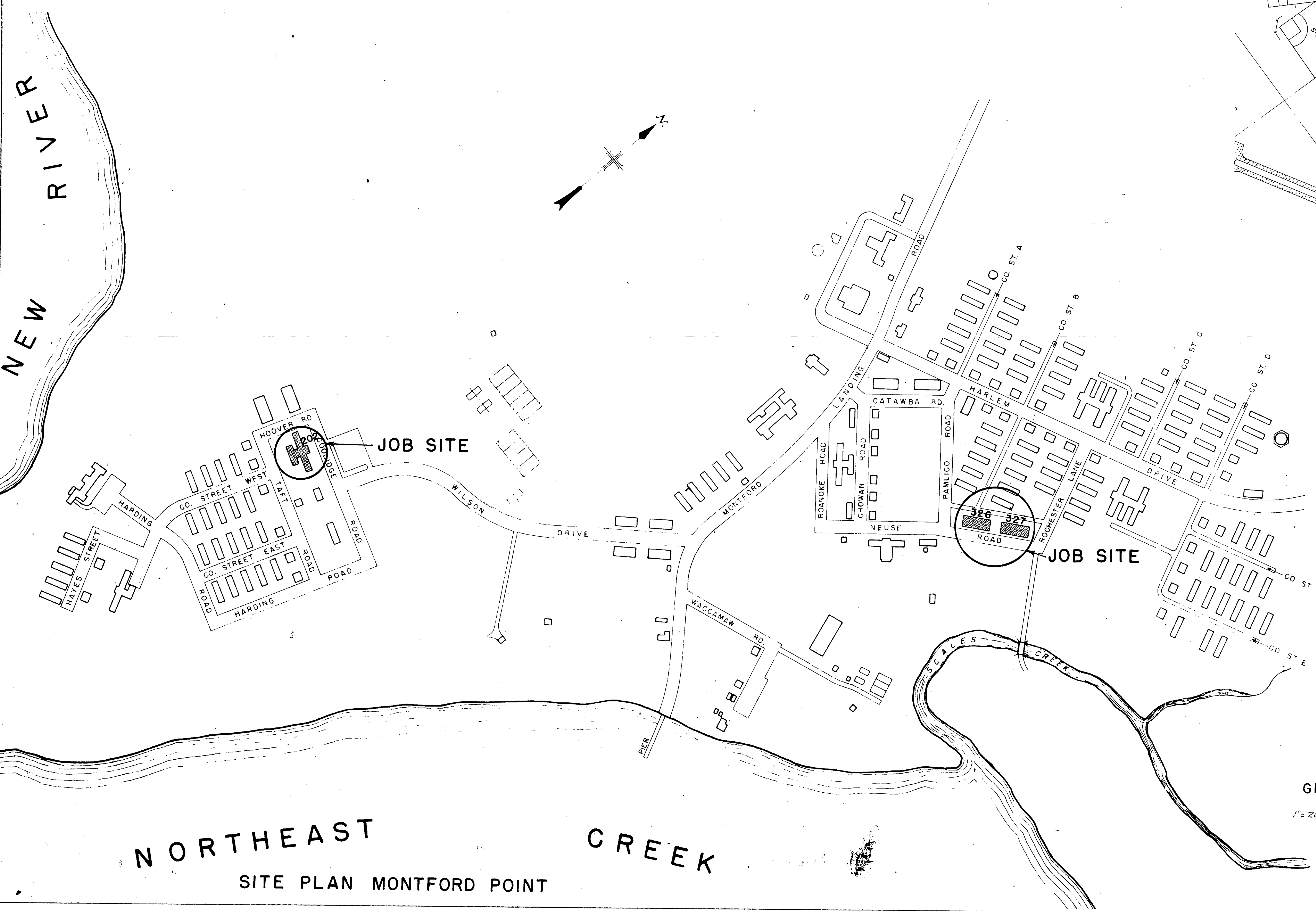
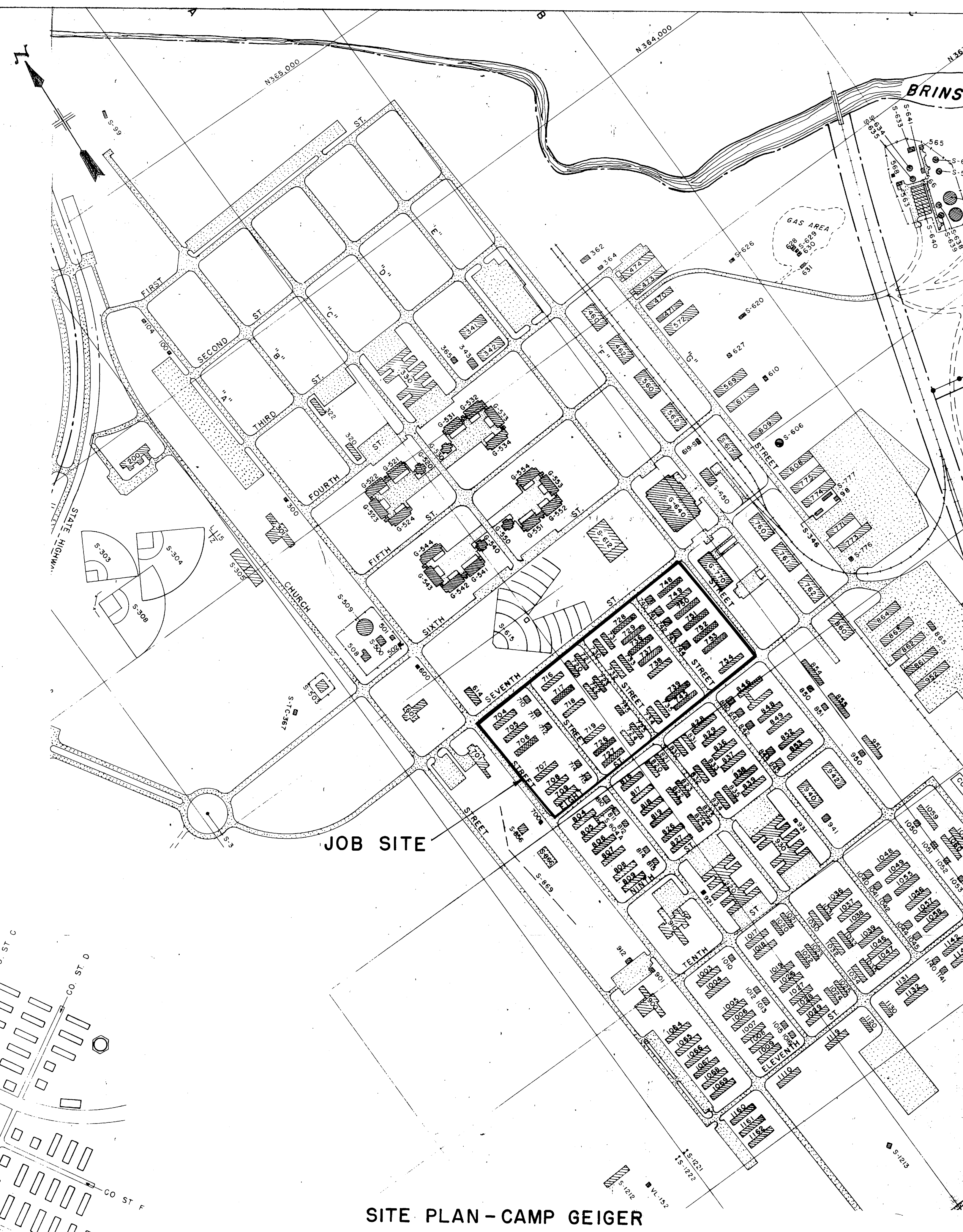
REVISIONS			
SYM	DESCRIPTION	DATE	APPROVED

PUBLIC WORKS DEPT MARINE CORPS BASE CAMP LEJEUNE, N.C.		DEPARTMENT OF THE NAVY NAVAL FACILITIES ENGINEERING COMMAND ATLANTIC DIVISION MARINE CORPS BASE, CAMP LEJEUNE, N.C.	
DESIGNED BY CHKD BY	DR. DATE	ENGR. DATE	DATE
APPROVED BY PUBLIC WORKS OFFICER	DATE	DATE	DATE
Satisfactory to DATE		NAVFAC DRAWING NO. 4011925	
COMMANDING GENERAL EFD	SIZE F	CODE IDENT NO. 80091	CONSTR. CONTR. NO. 88847078-8-0709
HD	DIR	SCALE AS SHOWN	SPEC. 08-74-0709 (REV)
APPROVED BY FOR COMMANDER, NAVFAC	DATE	SHEET 6 OF 12 LANTDIV DWG NO.	



DRAWING INDEX

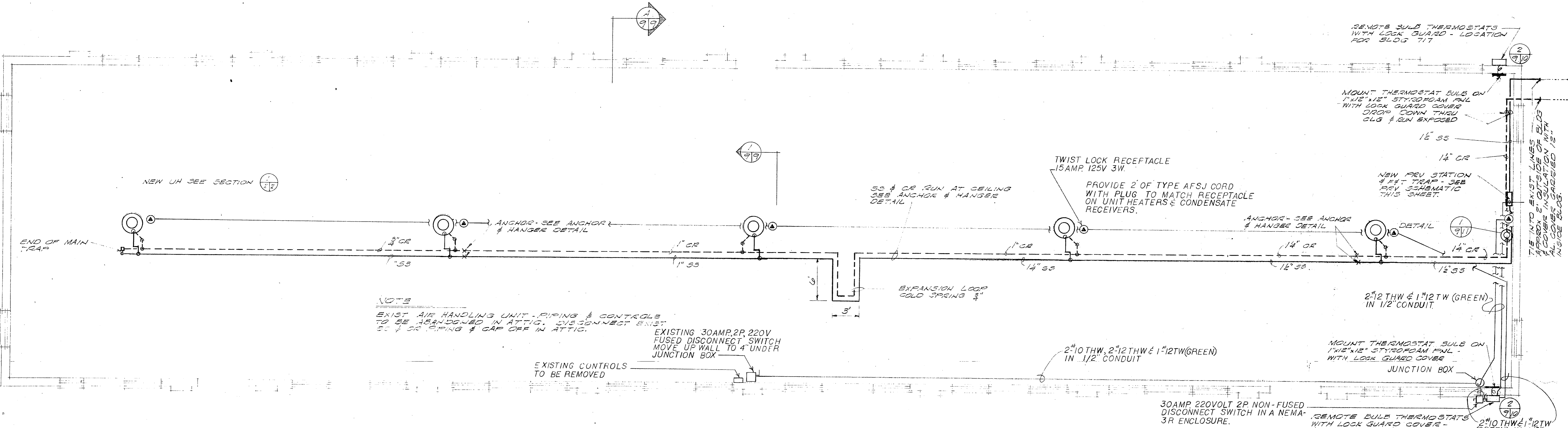
NAVFAC NO.	TITLE
4024828	SITE PLANS & INDEX
4024829	PLAN, SECTIONS & SCHEMATIC, CAMP GEIGER
4024830	PLAN, SECTIONS & SCHEMATIC, CAMP GEIGER
4024831	PLANS & DETAILS, M-320 & M-321
4024832	PLANS & DETAILS, M-202



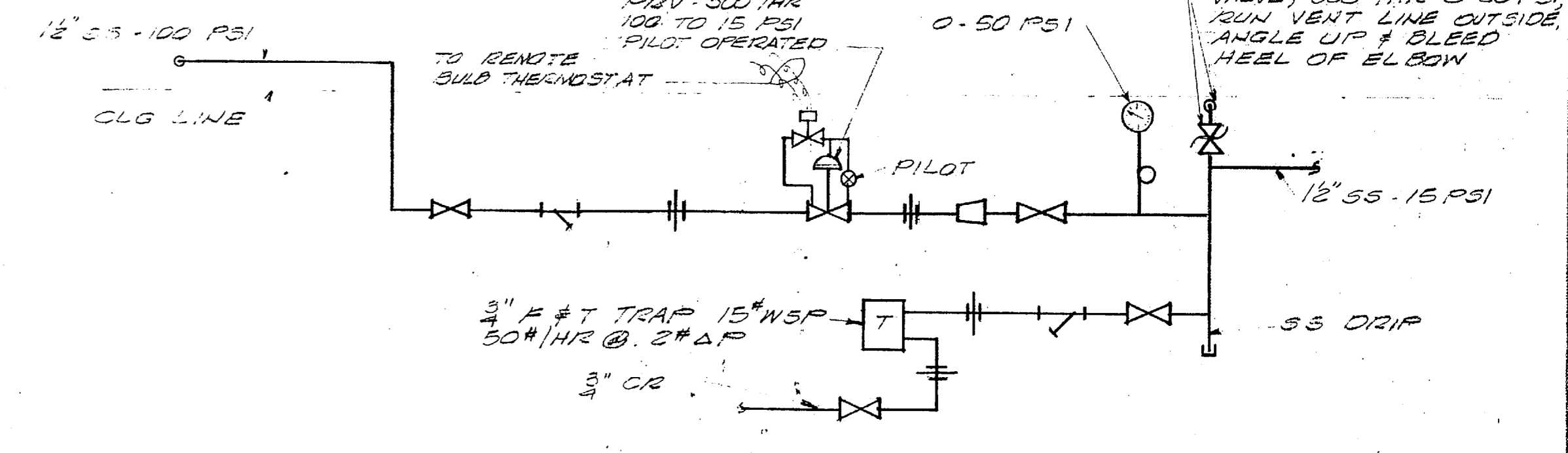
REVISIONS	
SYM	DESCRIPTION

PUBLIC WORKS DEPT. MARINE CORPS BASE CAMP LEJEUNE, N.C.		DEPARTMENT OF THE NAVY NAVAL FACILITIES ENGINEERING COMMAND ATLANTIC DIVISION NORFOLK, VIRGINIA	
DESIGNED BY DR 42		CHECKED BY CHK 603	
DRAWN BY DR 42		DATE 12/22/22	
APPROVED BY [Signature]		DATE 12/22/22	
SATSFACTORY TO [Signature]		DATE	
COMMANDING GENERAL		SIZE	CODE IDENT NO.
[Signature]		F	80091
NO. [Signature]		NAVFAC DRAWING NO.	4024828
DATE 12/22/22		CONSTR. CONTR. NO. 62470-76-B-0709	
FOR COMMANDER, NAVFAC		SCALE AS SHOWN	SPEC 08-76-0709 (REV)
		SHEET 8 OF 12	

REVISIONS			
SYM	DESCRIPTION	DATE	APPROVED

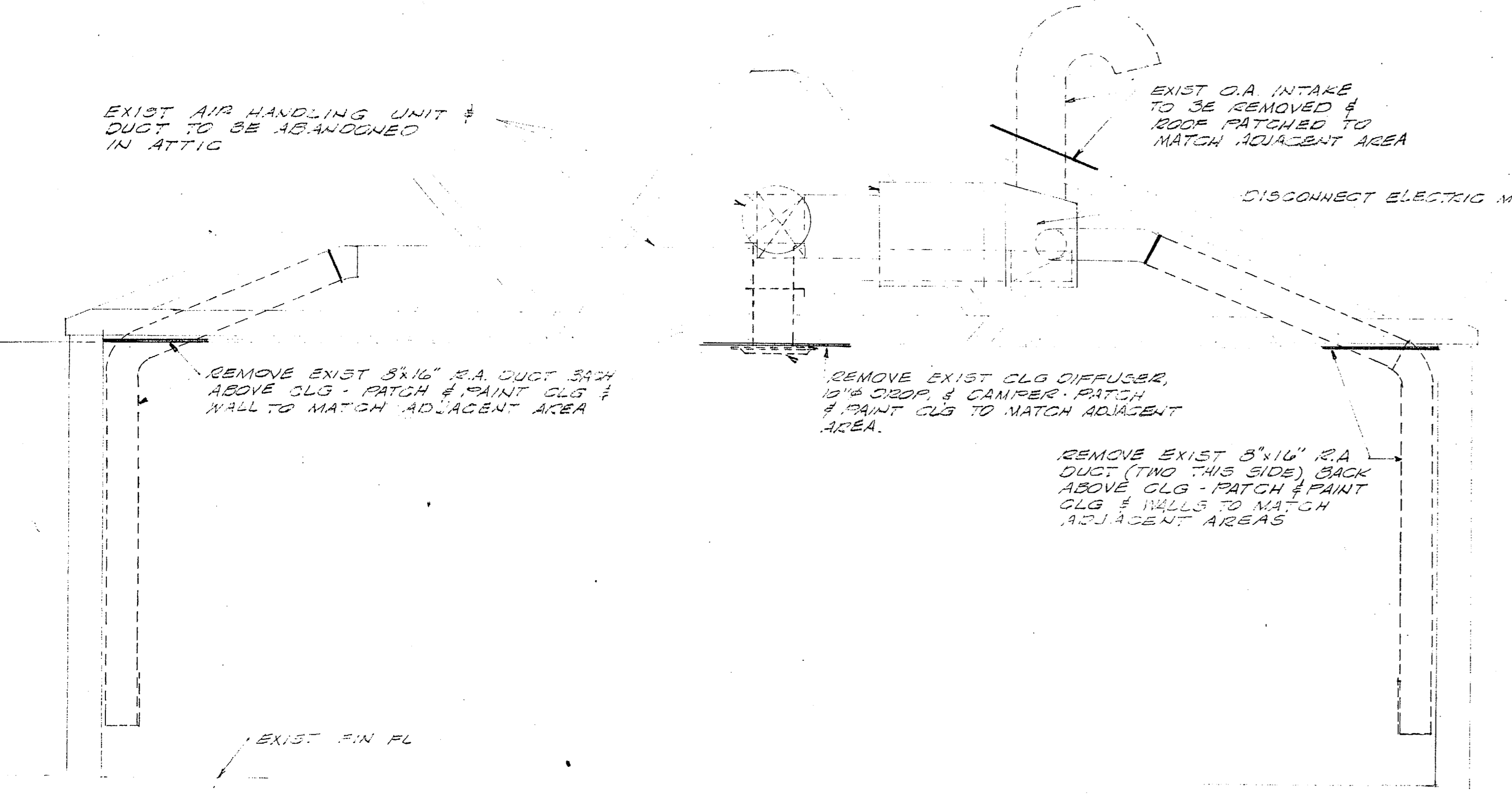
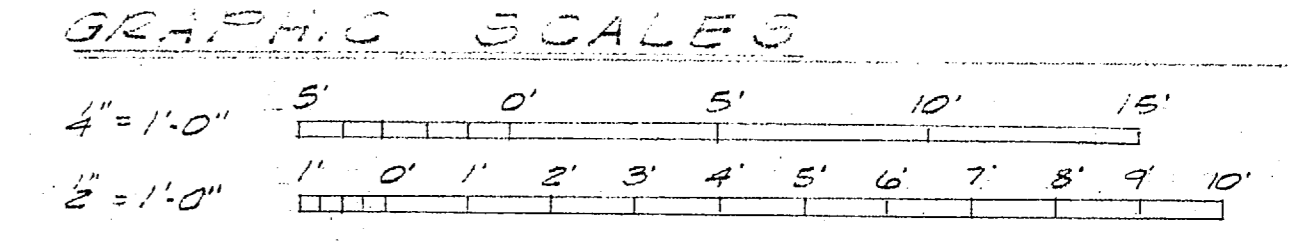


FLOOR PLAN SCALE: 1/4" = 1'-0"
TYPICAL FOR BLDGS: 717, 725, 729, 730, 731, 743, 750, 751

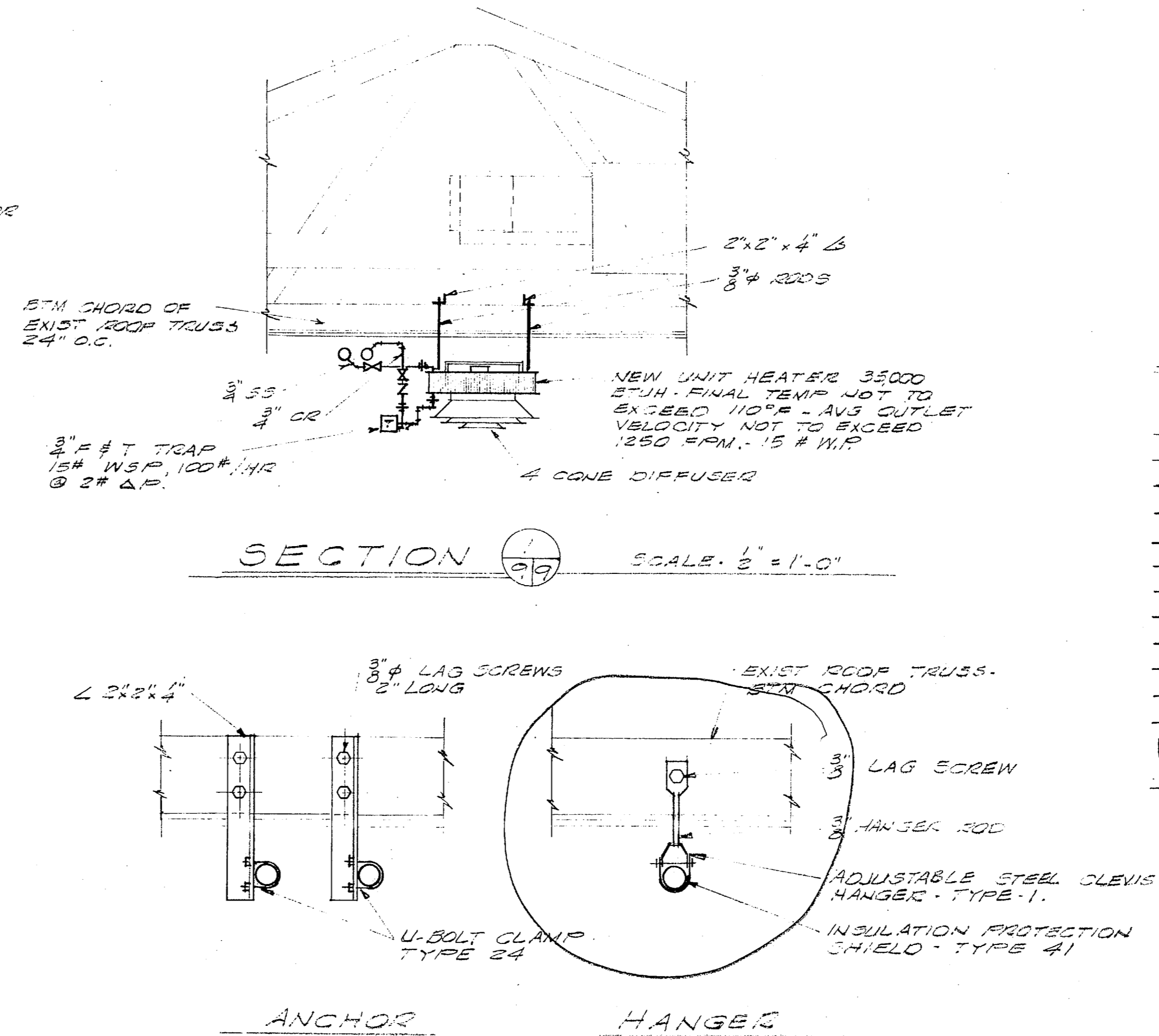


LEGEND:

---	EXIST 5TH LINE	SS	STEAM SUPPLY
---	EXIST RETURN LINE	CR	CONDENSATE RETURN
---	NEW 5TH LINE	UH	UNIT HEATER
---	NEW RETURN LINE	PRV	PRESSURE REDUCING VALVE
---	PRESSURE REGULATING VALVE	WSP	WORKING STEAM PRESSURE
---	PRESSURE RELIEF VALVE	#/HR	POUNDS PER HOUR
---	GATE VALVE	#A.P.	POUNDS DIFFERENTIAL PRESSURE
---	SWING CHECK VALVE	PSI	POUNDS PER SQUARE INCH
---	STRAINER	F#T	FLOAT & THERMOSTATIC
---	UNION		
---	REDUCER		
---	TRAP		
---	REMOTE BULD THERMOSTAT		
---	GAUGE # STOP COCK		



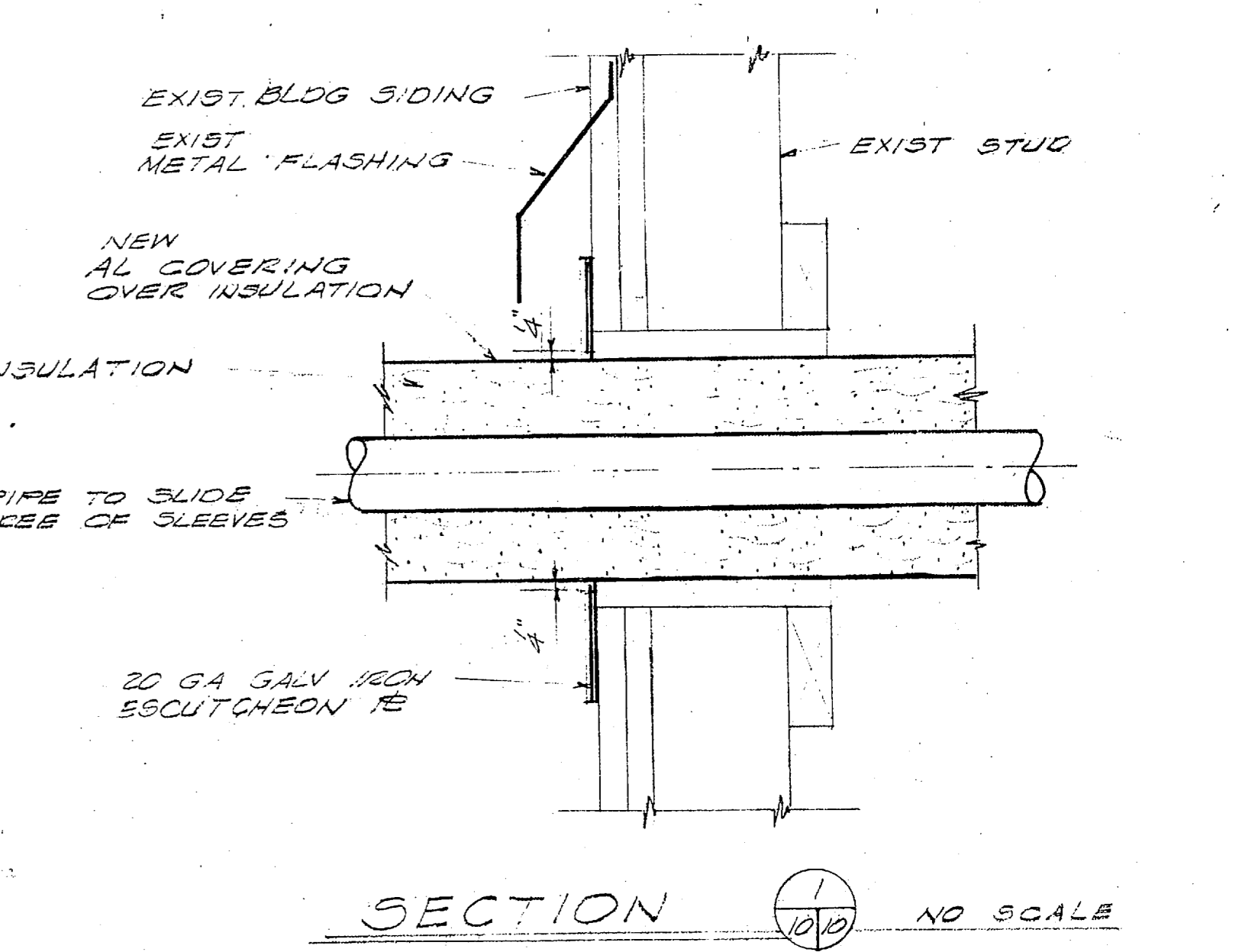
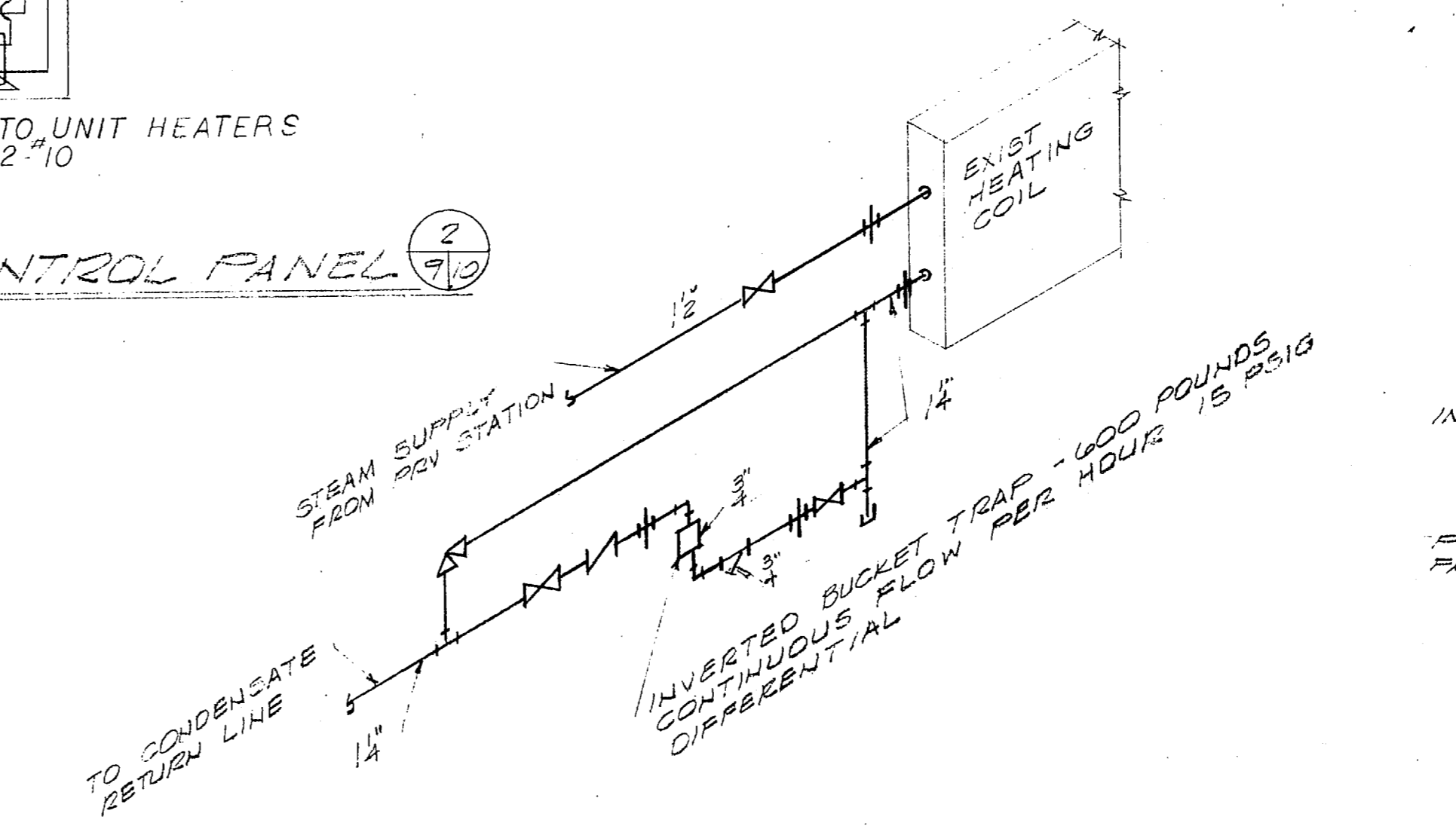
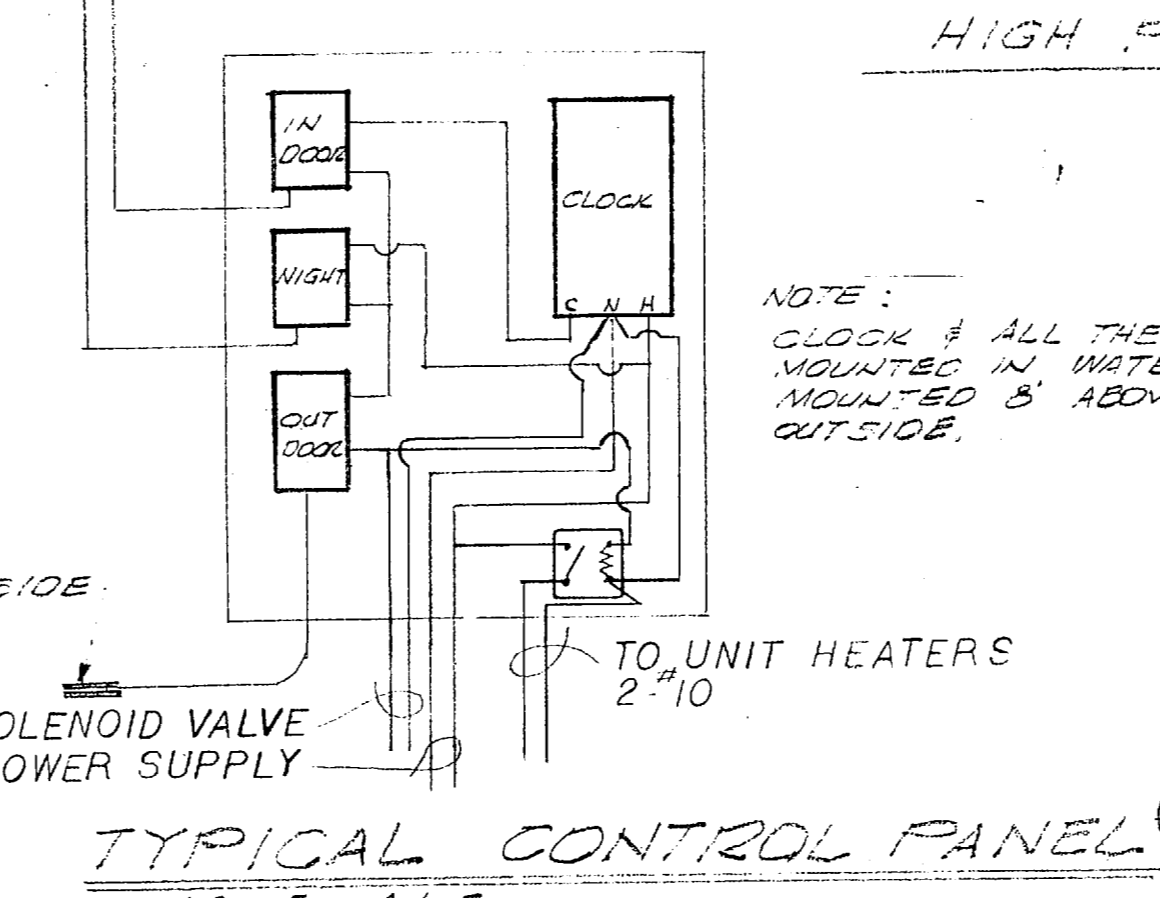
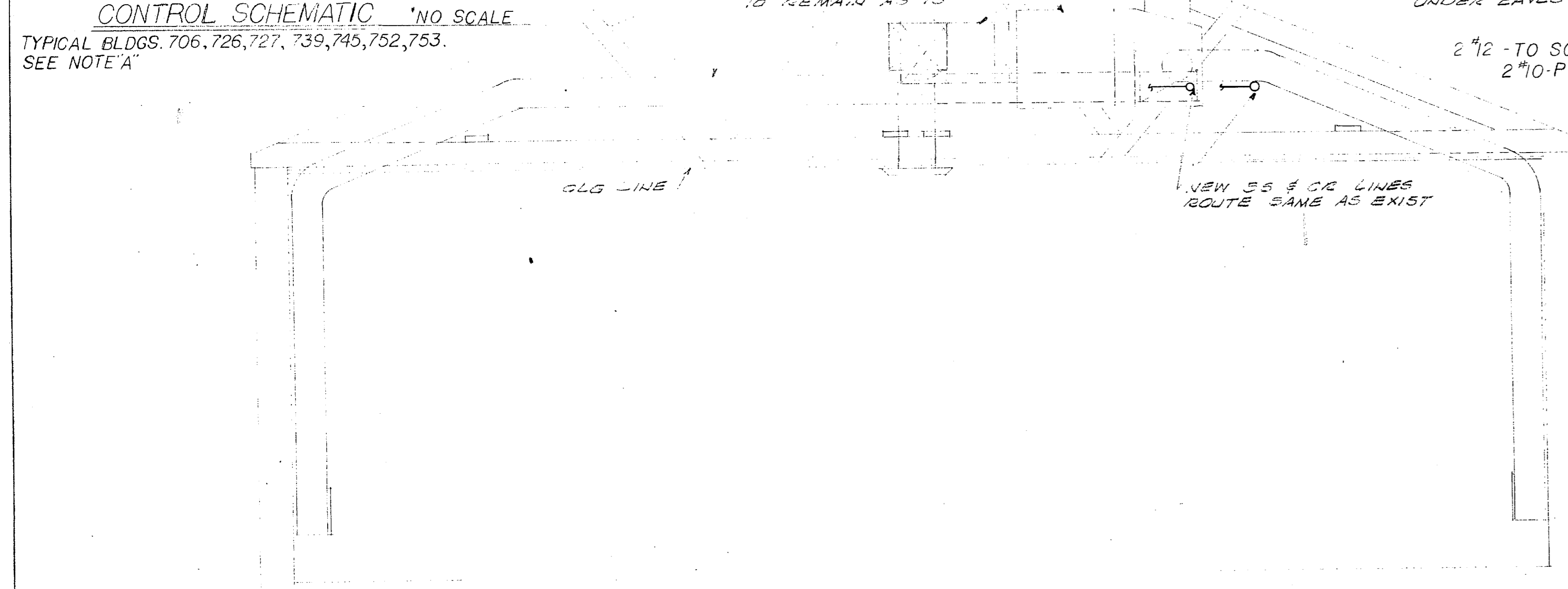
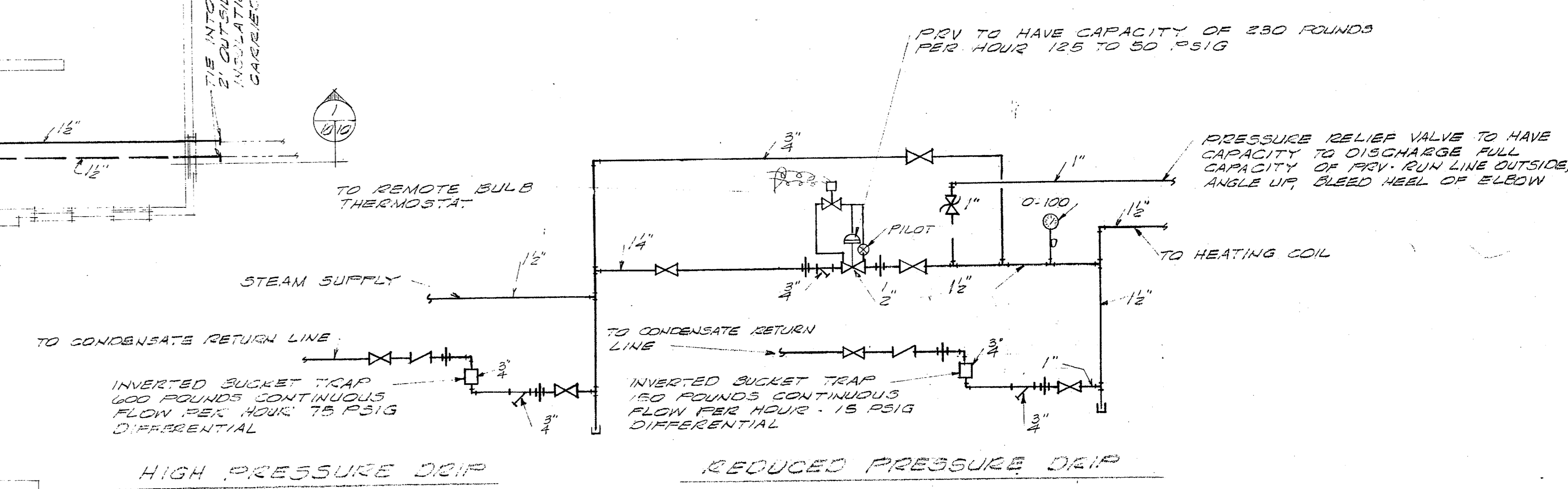
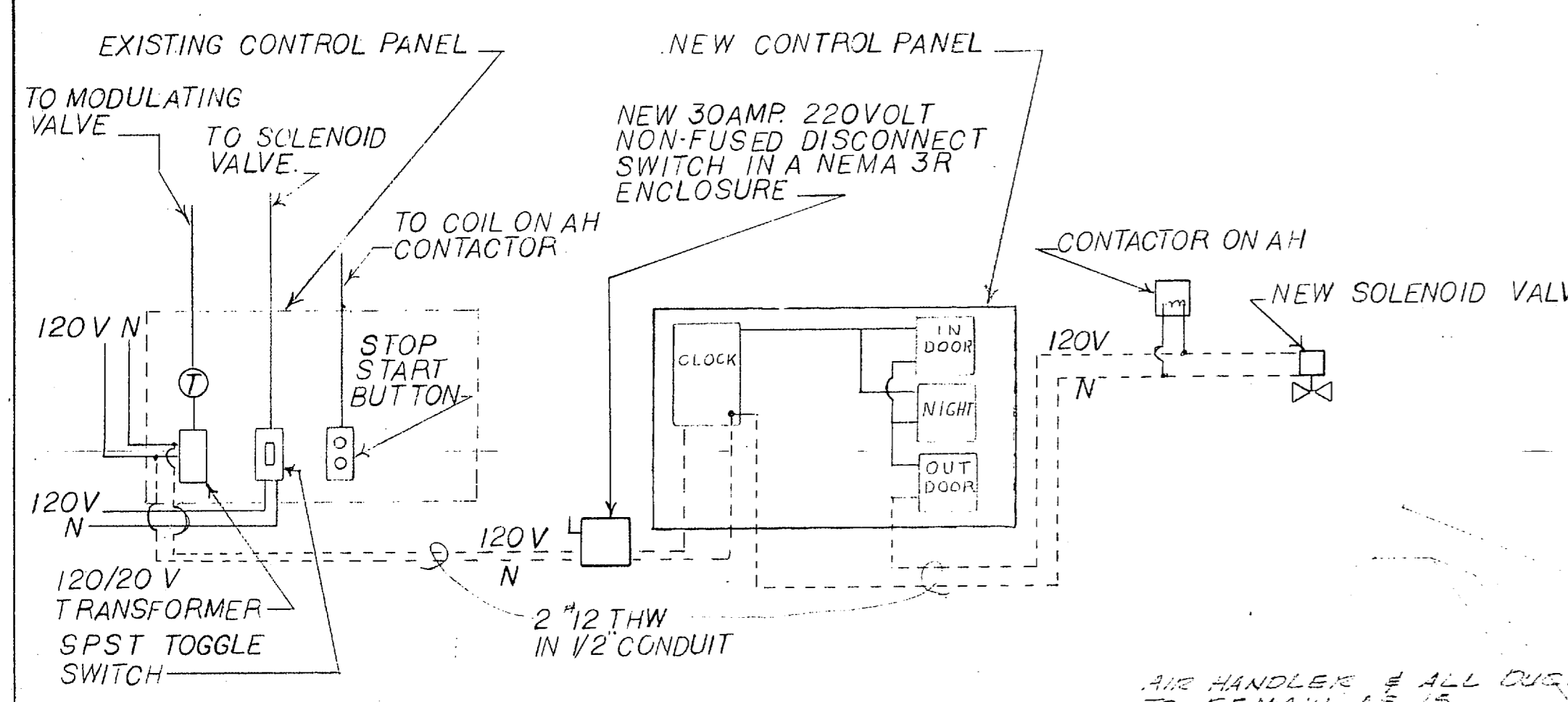
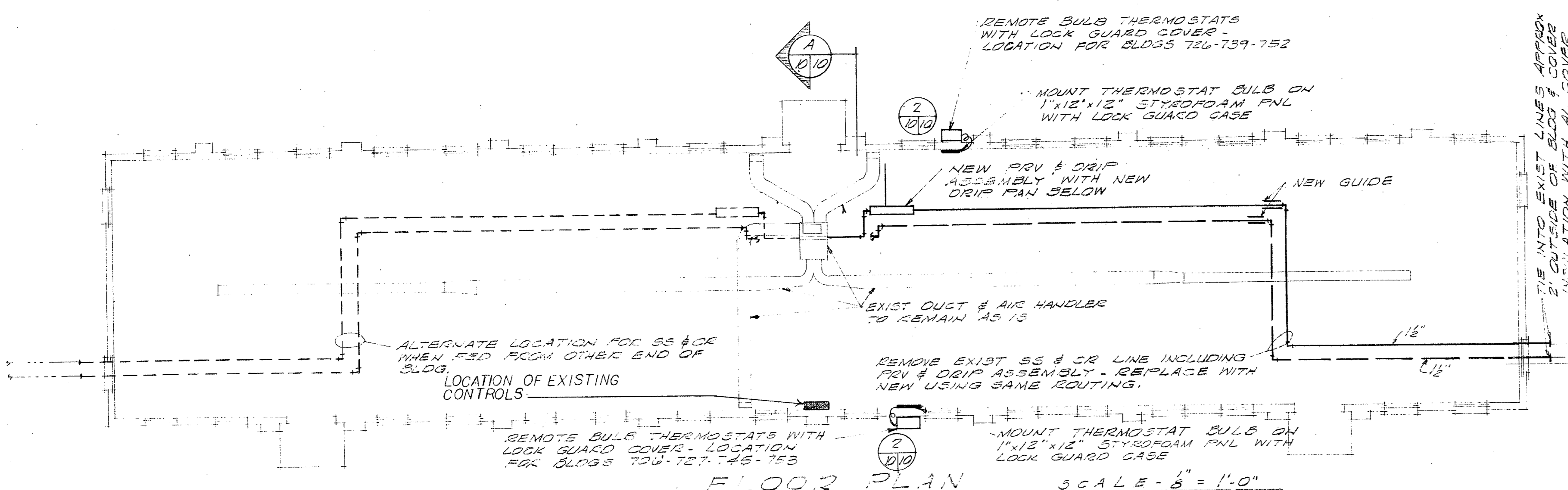
SECTION (SHOWING EXIST) SCALE: 1/2" = 1'-0"



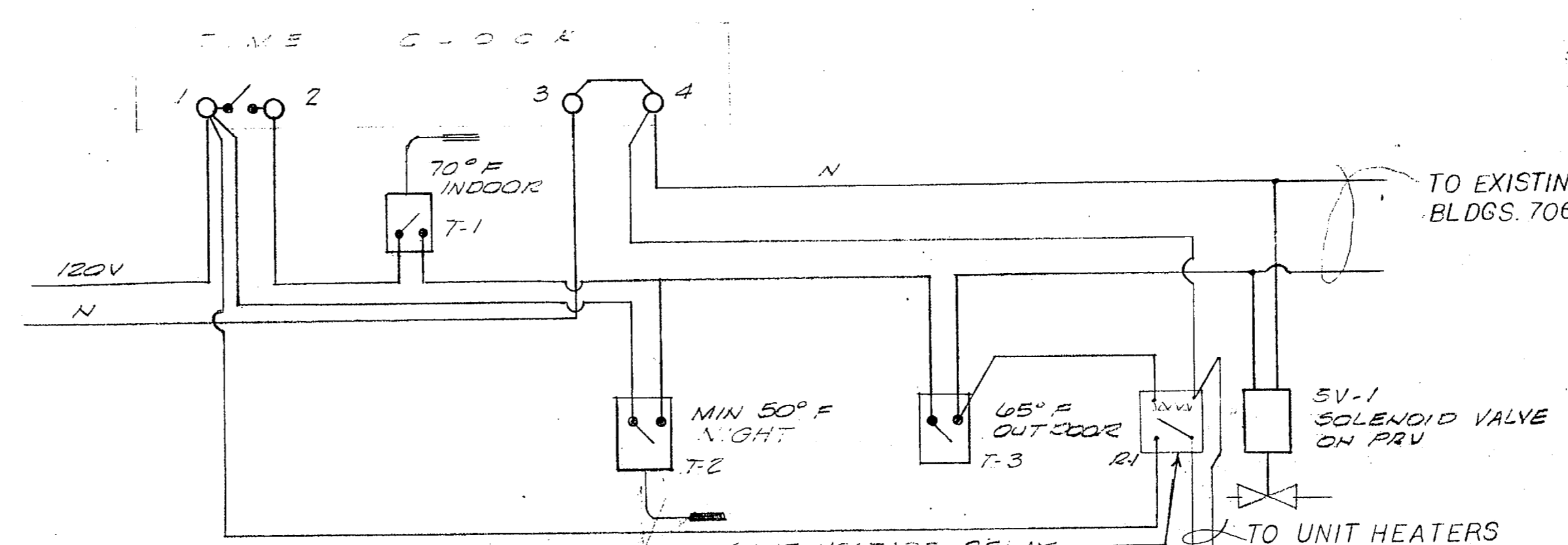
PUBLIC WORKS DEPT. MARINE CORPS BASE CAMP LEJUNE, N.C.		DEPARTMENT OF THE NAVY NAVAL FACILITIES ENGINEERING COMMAND ATLANTIC DIVISION	
NAVAL STATION MARINE CORPS BASE, CAMP LEJUNE, N.C.		NORFOLK, VIRGINIA	
DESIGNS DR 72	CHK 05	REPLACE CONDENSATE LINES & RENOVATE MECHANICAL SYSTEMS	
PROJ MGR	SMITH/ENS	CAMP GEIGER & MONTFORD POINT (HMC 6272)	
DATE	7/12/76	PLAN, SECTIONS & SCHEMATIC, CAMP GEIGER	
SATISFACTORY TO	DATE	SIZE	CODE IDENT NO
COMMANDED GENERAL	DATE	F	80091
HD	DIR	NAVAC DRAWING NO	4024829
APPROVED	DATE	CONSTR CONTR NO	W6470-76-B-0709
FOR COMMANDER, NAVFAC	DATE	SCALE AS SHOWN	SPEC 08-76-0709 (REV)
		SHEET 6 OF 12	



REVISIONS			
SYM	DESCRIPTION	DATE	APPROVED



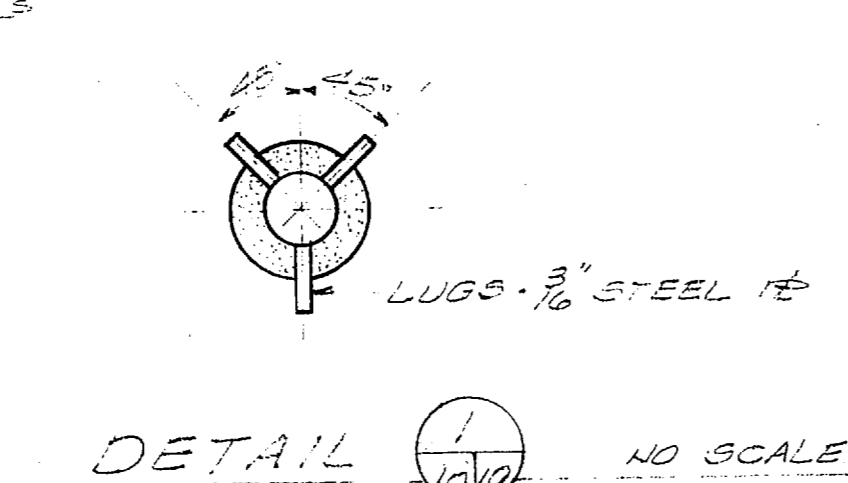
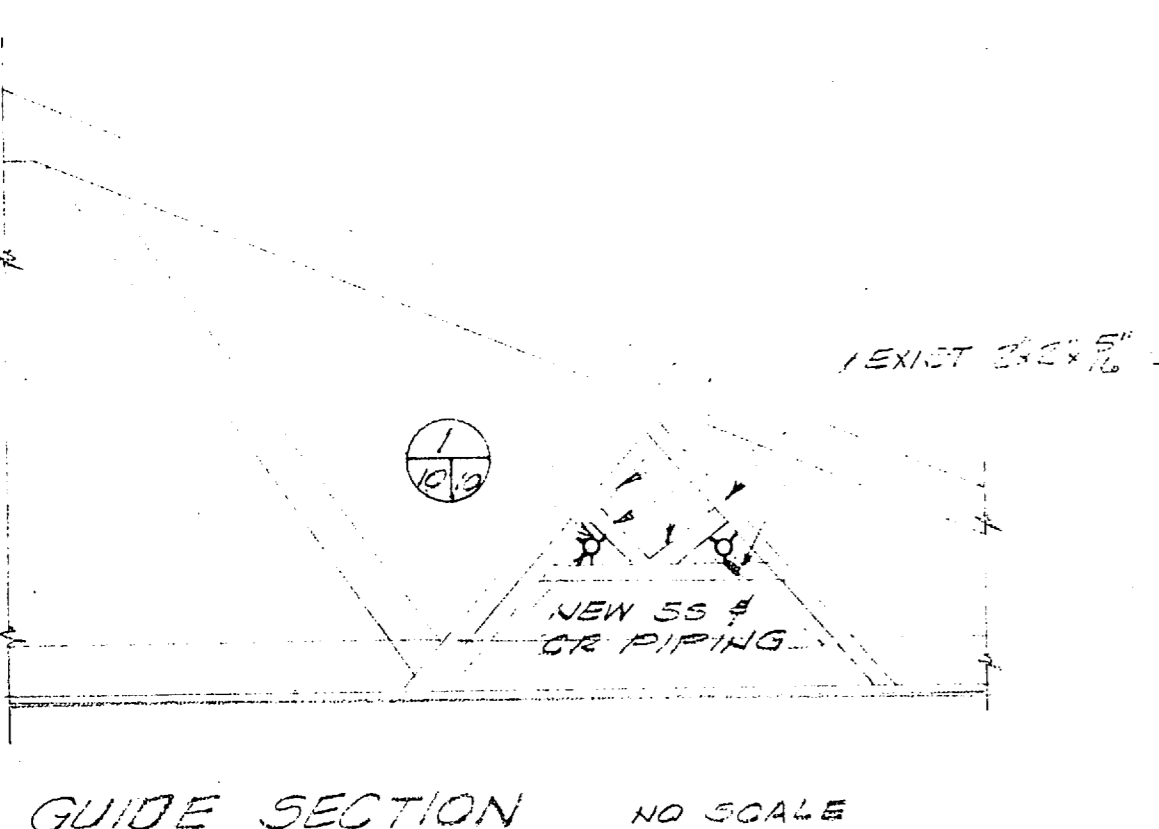
NOTE 'A'
 REMOVE EXISTING STOP-START BUTTON & CIRCUITRY TO COIL ON CONTACTOR TO AH. 120/20V TRANSFORMER & CIRCUITRY TO THE MODULATING VALVE. SPST SWITCH & CIRCUITRY TO SOLENOID VALVE AND BACK TO SOURCE. USE CIRCUIT THAT FED TRANSFORMER TO FEED NEW CONTROL PANEL. RUN NEW CIRCUIT TO AH CONTACTOR NEW SOLENOID VALVE.



GRAPHIC SCALES

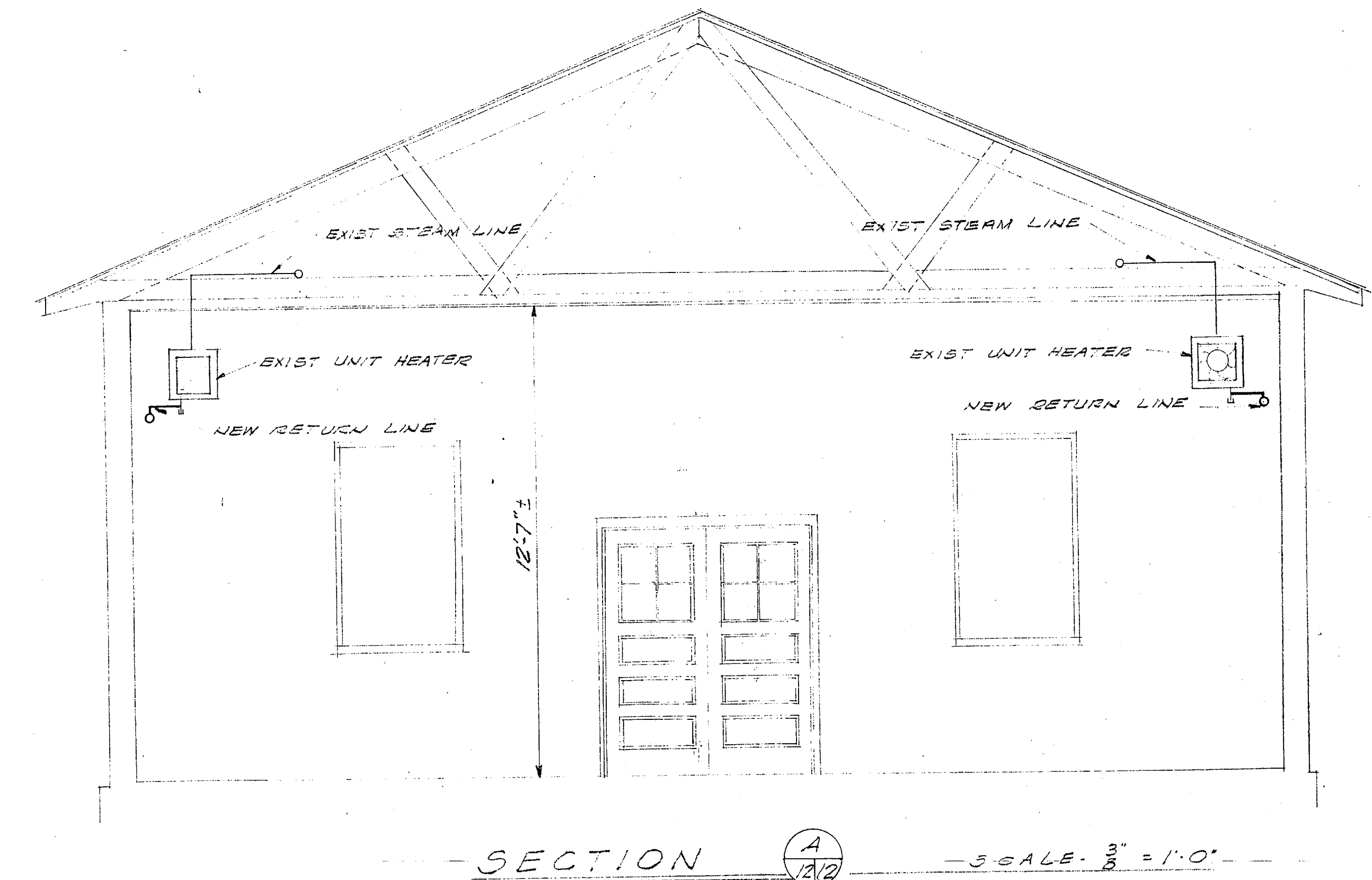
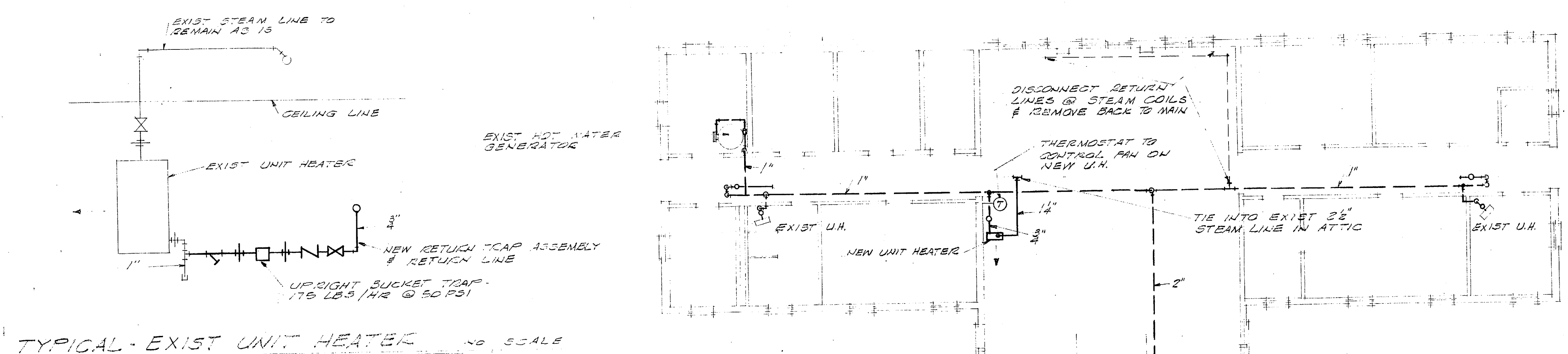
6" = 1'-0" 3" = 0' 5" = 10' 15" = 20' 25" = 30' 35" = 40'

4" = 1'-0" 5" = 0' 10" = 5' 15" = 10'



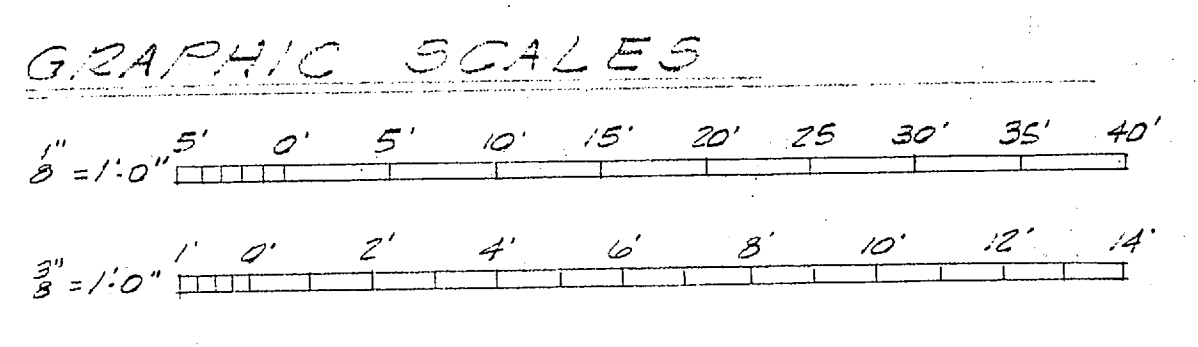
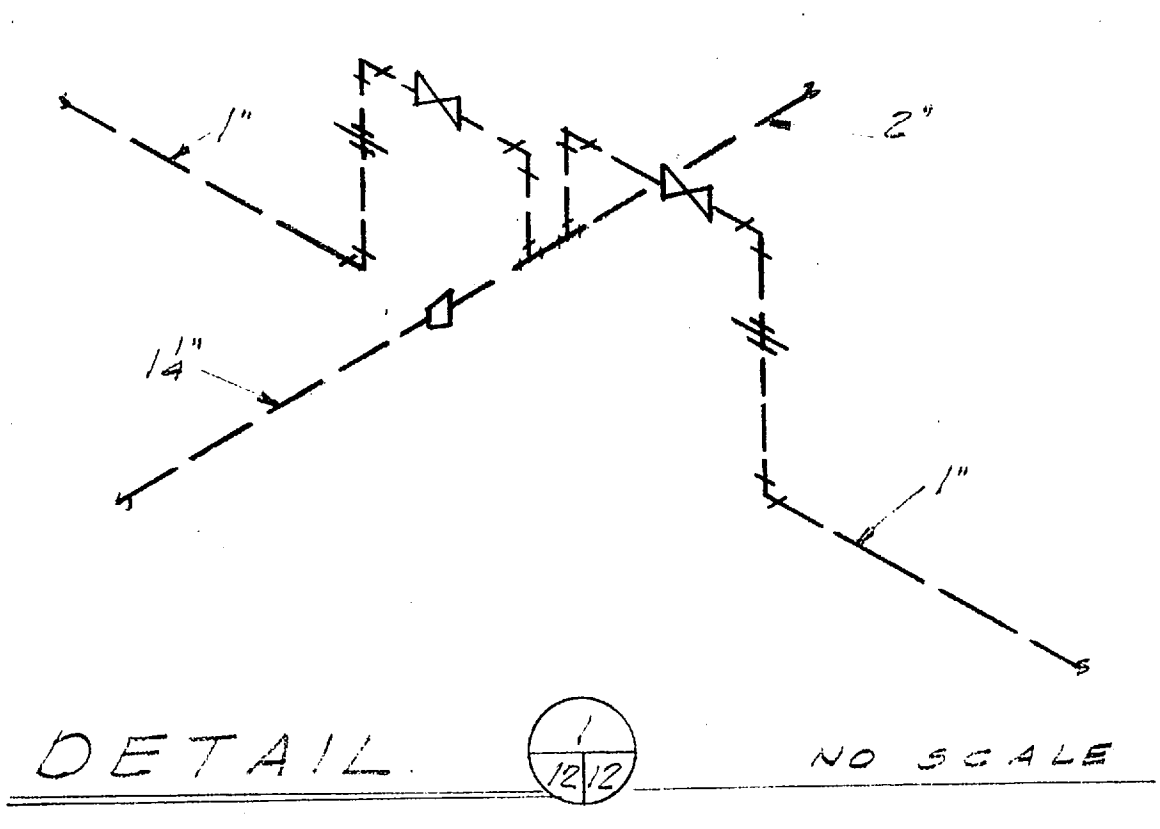
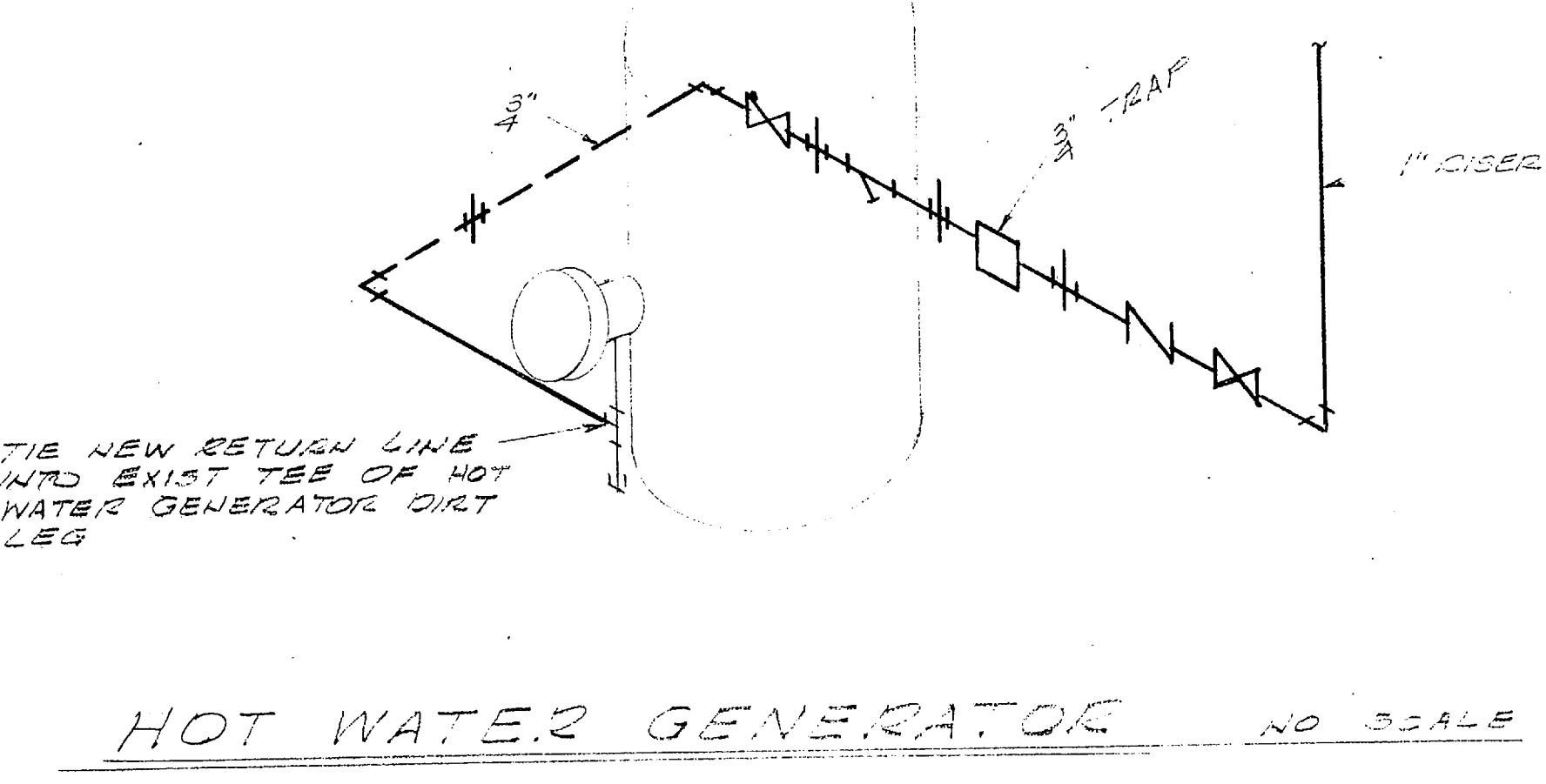
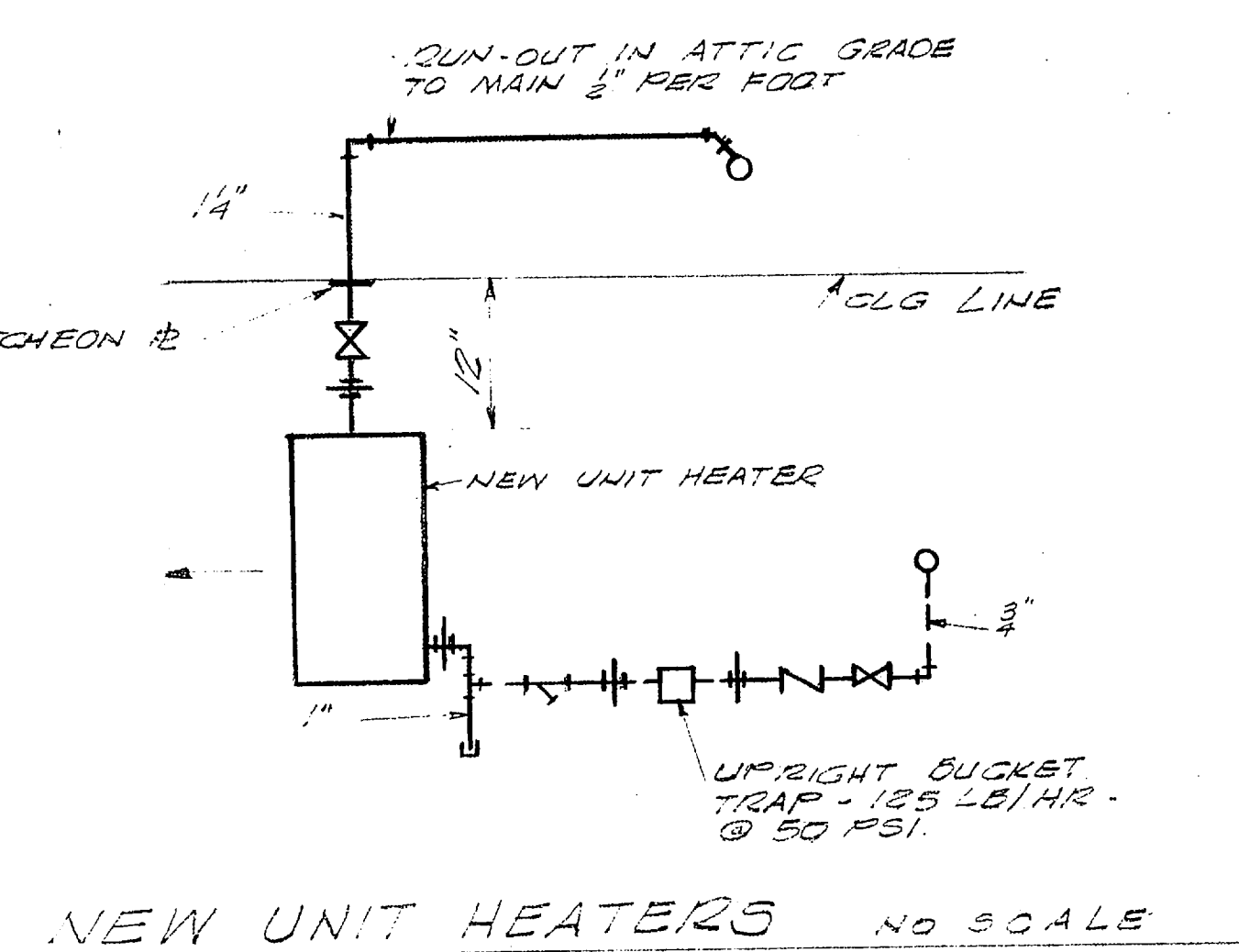
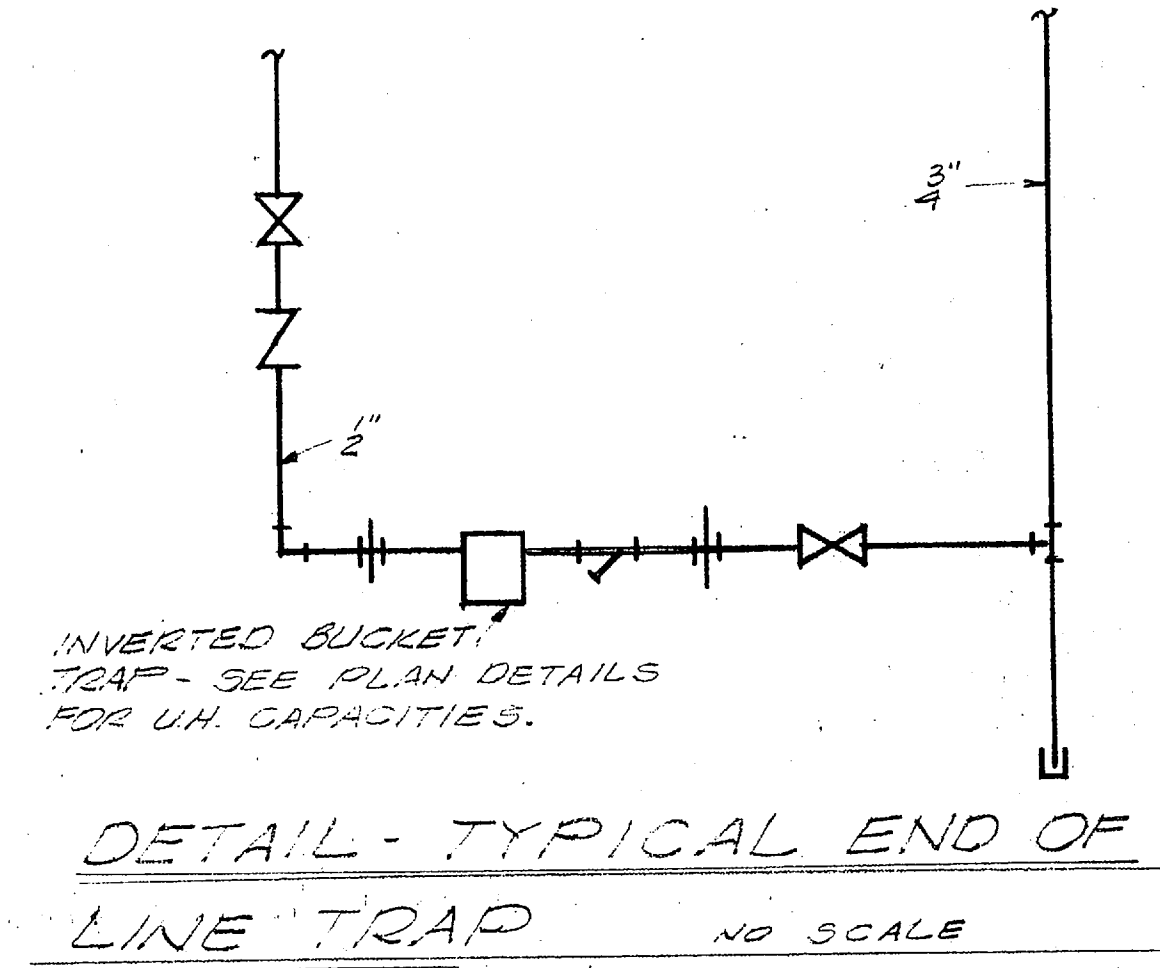
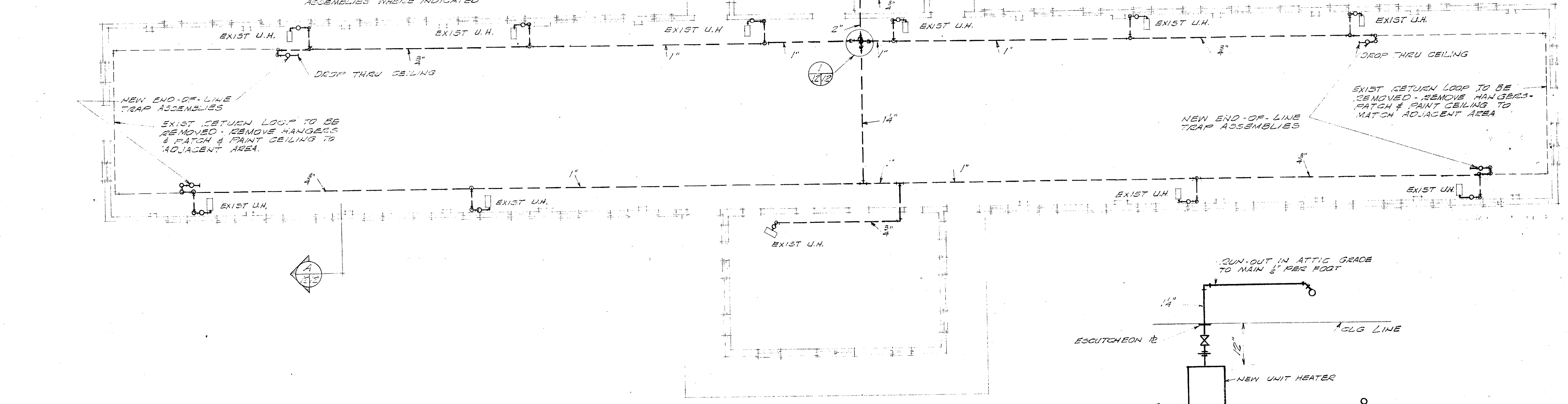
PUBLIC WORKS DEPT. MARINE CORPS BASE CAMP LEJEUNE, N.C.		DEPARTMENT OF THE NAVY NAVAL FACILITIES ENGINEERING COMMAND ATLANTIC DIVISION NORFOLK, VIRGINIA	
DESIGNS DR 706	CHKD BY 211	NAVAL STATION	MARINE CORPS BASE, CAMP LEJEUNE, NC
PROJ MGR. D. SCHWENK	ENG 211	REPLACE CONDENSATE LINES & RENOVATE MECHANICAL SYSTEMS	
APPROVED [Signature]	DATE 4/25/76	CAMP GEIGER & MONTFORD POINT (HQMC 6272) PLAN, SECTIONS & SCHEMATIC, CAMP GEIGER	
PUBLIC WORKS OFFICER		SIZE	NAVFAC DRAWING NO.
SATISFACTORY TO		F	4024830
COMMANDING GENERAL		CONSTR CONTR NO	N62470-78-B-0709
EPD	BYD	SCALE AS SHOWN	SPEC 05-74-0709 (REV)
APPROVED [Signature]	DATE 4/25/76	SHEET 10 OF 12	
FOR COMMANDER, NAVFAC		LANTDIV DWG NO	

REVISIONS			
SYM	DESCRIPTION	DATE	APPROVED



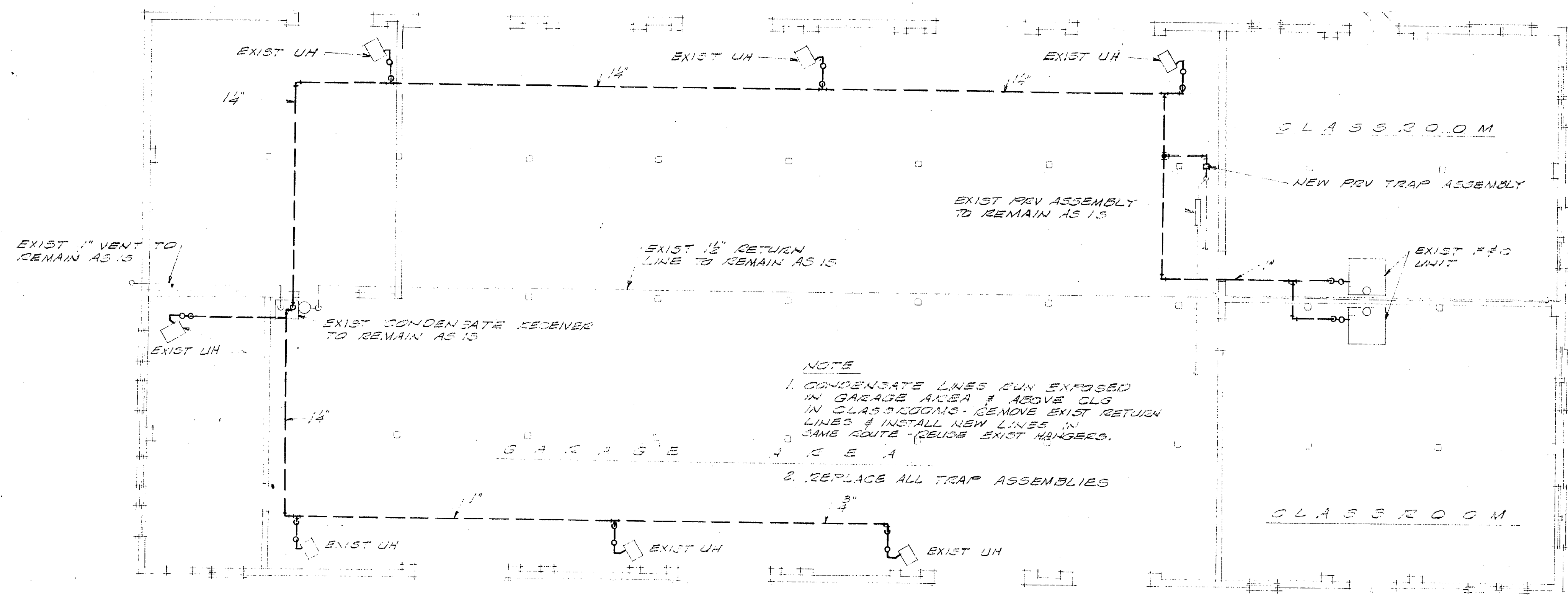
NOTE

1. REMOVE EXIST RETURN LINES SERVING UNIT HEATERS & INSTALL NEW RETURN LINES IN SAME ROUTE EXCEPT AS SHOWN - RETURN LINES RUN BELOW CEILING EXCEPT AS INDICATED - ALL STEAM LINES LOCATED ABOVE CEILING.
2. REPLACE ALL EXIST TRAP ASSEMBLIES AT UNIT HEATERS.
3. PROVIDE NEW END-OF-LINE TRAP ASSEMBLIES WHERE INDICATED.

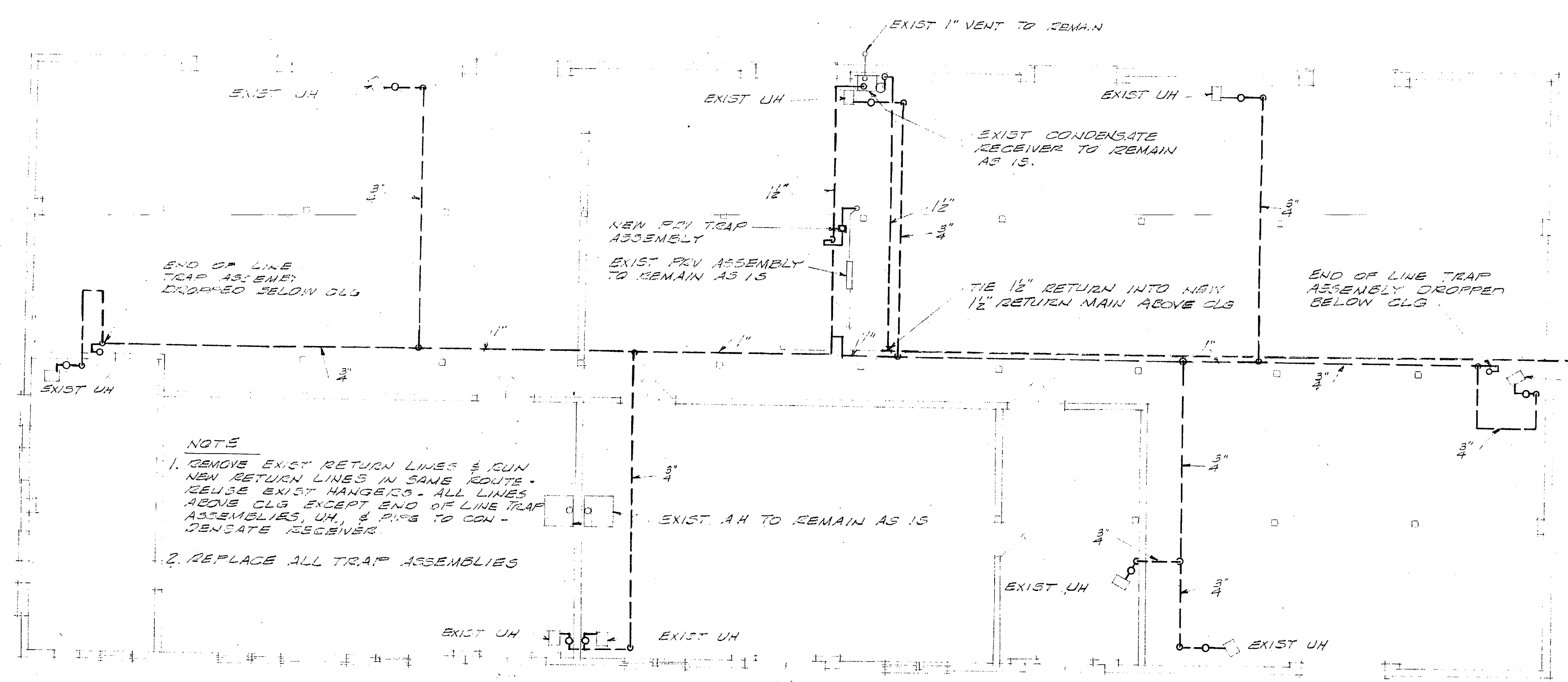
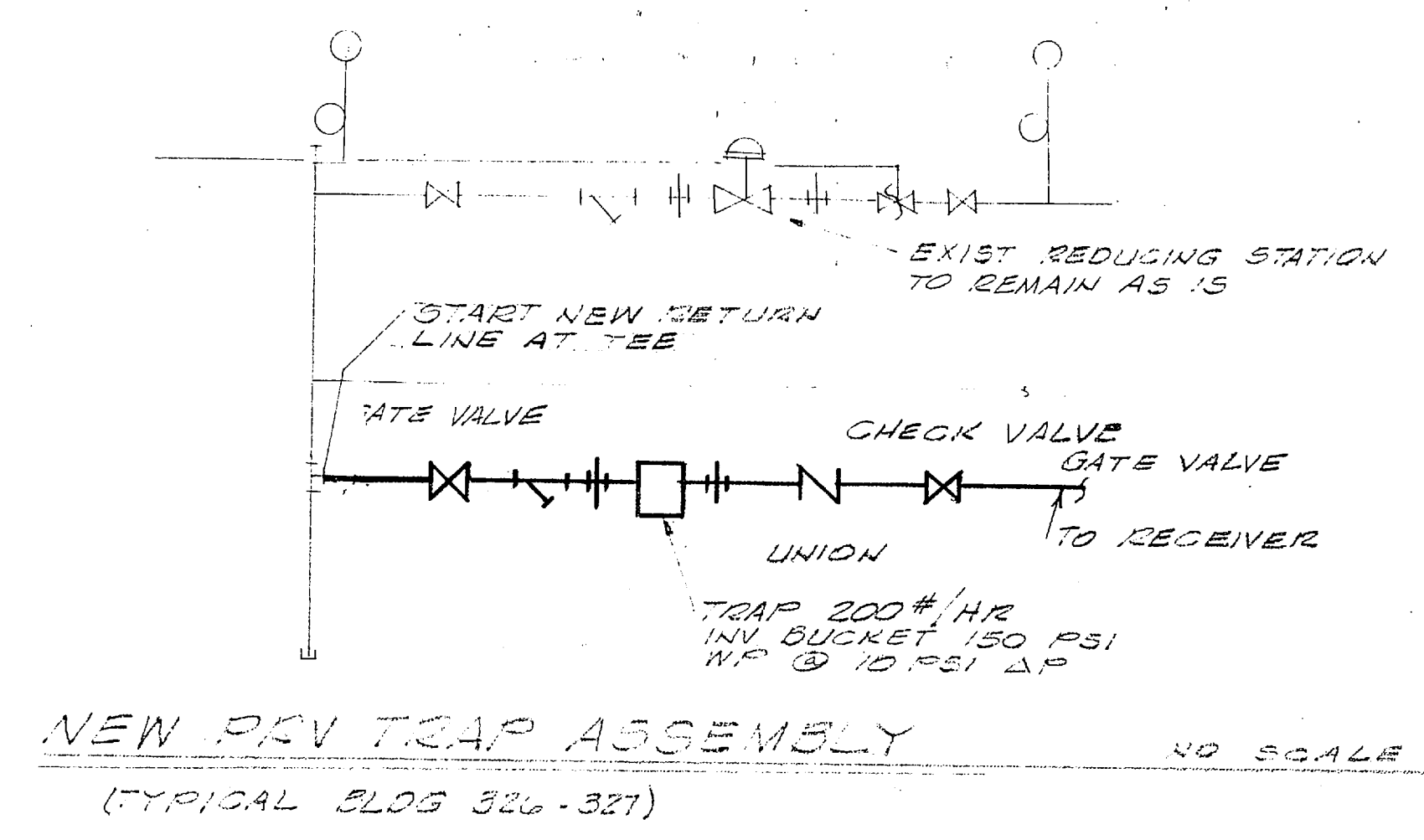


PUBLIC WORKS DEPT. MARINE CORPS BASE CAMP LEJEUNE, N.C.	DEPARTMENT OF THE NAVY NAVAL FACILITIES ENGINEERING COMMAND ATLANTIC DIVISION MARINE CORPS BASE, CAMP LEJEUNE, N.C.
DESIGNED BY: DR/42 PROJECT ENGINEER: <i>CHS/11</i> CHECKED BY: <i>CHS/11</i> DATE: <i>4/2/76</i> PUBLIC WORKS OFFICER: SATISFACTORY TO: DATE: <i>4/2/76</i>	REPLACE CONDENSATE LINES & RENOVATE MECHANICAL SYSTEMS CAMP GEIGER & MONTFORD POINT (HOMC 6272) PLANS & DETAILS, M-202
COMMANDING GENERAL: RVD NO. DIR: <i>AD/3</i> APPROVED FOR COMMANDER, NAVFAC: <i>AD/3</i>	SIZE: F 80091 NAVFAC DRAWING NO. 4024832 CONSTR CONTR NO. N62470-76-C-0709
SCALE AS SHOWN	SPEC 05-76-0709 (REV) SHEET 12 OF 18 LANDDIV DWG NO.

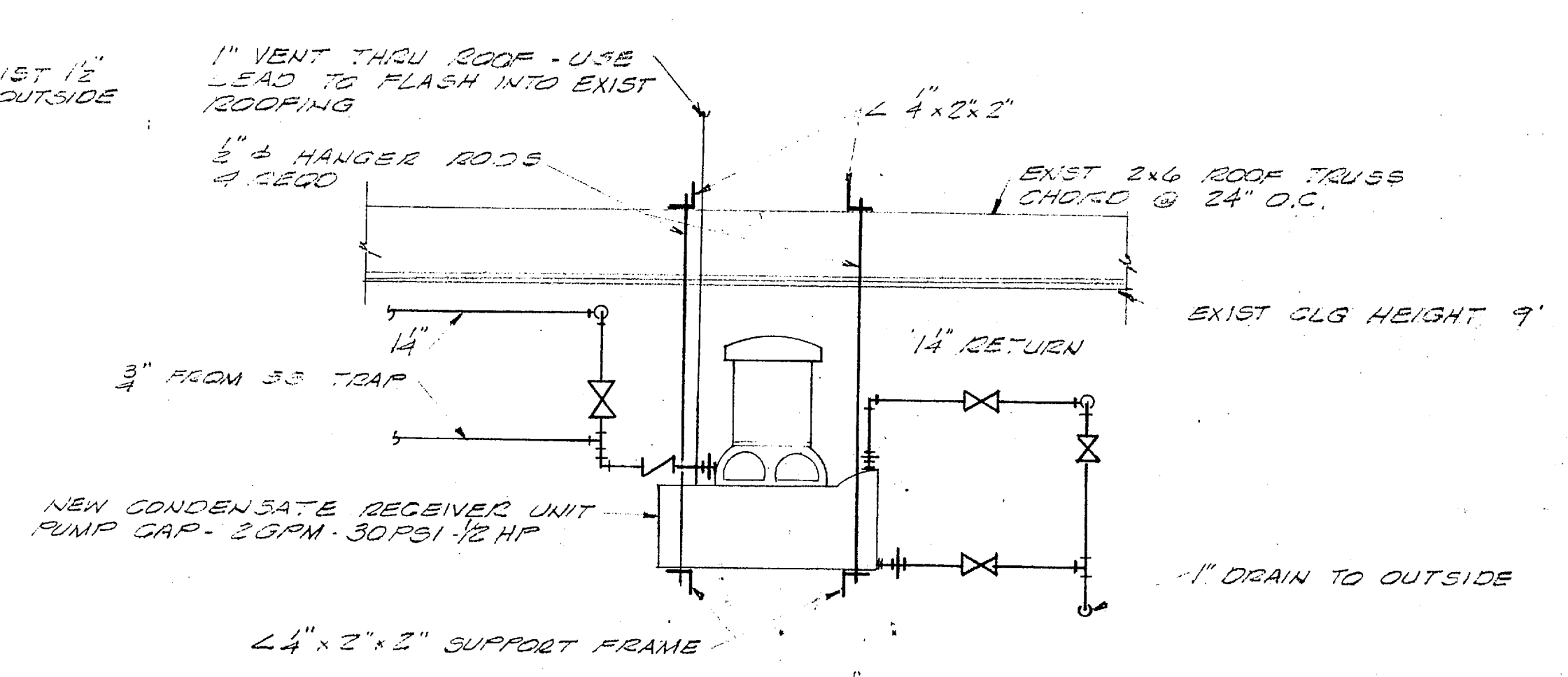
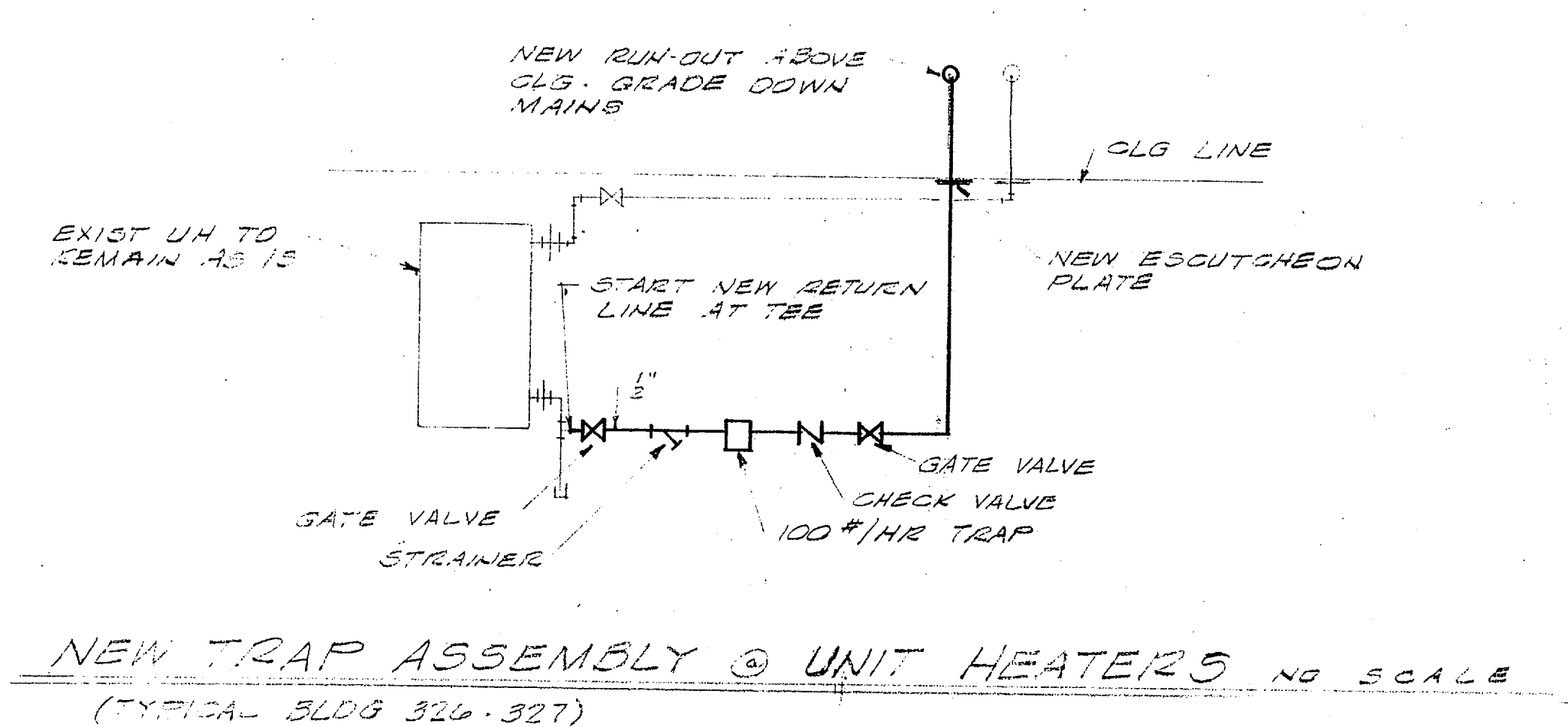
REVISIONS			
SYM	DESCRIPTION	DATE	APPROVED



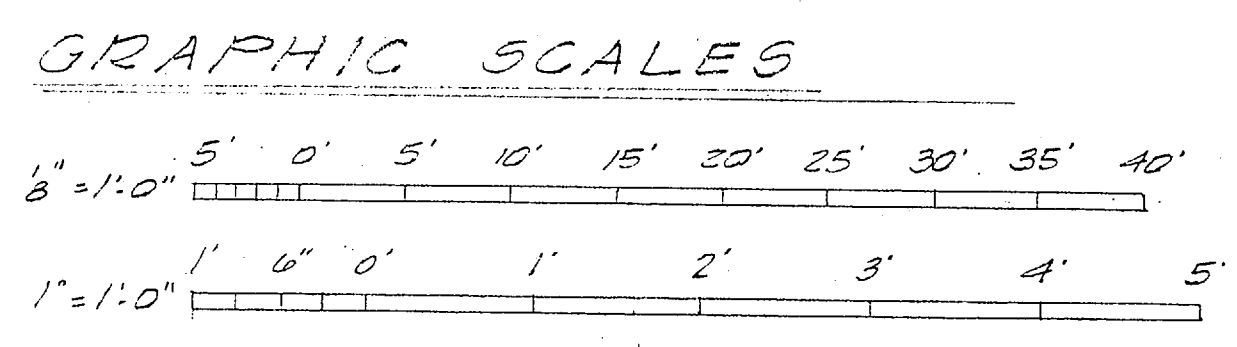
PLAN - BLDG NO 327 SCALE - 1/8" = 1'-0"



PLAN - BLDG NO 326 SCALE - 1/8" = 1'-0"



DETAIL (1/5) SCALE - 1" = 1'-0"



PUBLIC WORKS DEPT. MARINE CORPS BASE CAMP LEJEUNE, N.C.		DEPARTMENT OF THE NAVY NAVAL FACILITIES ENGINEERING COMMAND ATLANTIC DIVISION	
DESIGNED BY DR 146		NAVAL STATION MARINE CORPS BASE, CAMP LEJEUNE, N.C.	
APPROVED BY [Signature]		REPLACE CONDENSATE LINES & RENOVATE MECHANICAL SYSTEMS CAMP GEIGER & MONTFORD POINT (HMC 6272) PLANS & DETAILS, M-326 & M-327	
Satisfactory to [Signature]		NAVFAC DRAWING NO. 4024831	
COMMANDING GENERAL		SIZE CODE IDENT NO. F 80091	
EFD [Signature]		CONSTR CONTR NO N62470-76-B-0709	
APPROVED BY [Signature]		SCALE AS SHOWN SPEC 06-76-0709 (REV)	
FOR COMMANDER, NAVFAC		SHEET 11 OF 12	

