

- LEGEND**
- EXIST ROADS - PARKING AREAS
 - EXIST CONC WALKS
 - EXIST BUILDINGS
 - EXIST SANITARY SEWER
 - EXIST WATER LINE
 - EXIST LP GAS
 - ABANDONED STEAM LINE
 - ABANDONED CONDENSATE LINE
 - EXIST UG TELEPHONE CABLE
 - EXIST UG ELECTRIC CABLE
 - EXIST STORM DRAIN
 - EXIST UG FIRE ALARM CABLE
 - EXIST DRAIN LINES
 - EXIST INDIVIDUAL TREES
 - B.M. BENCH MARK
 - EXIST STM & CONDENSATE LINES UNDERGROUND TO BE REMOVED
 - NEW STM & CONDENSATE LINES UNDERGROUND SEE DRAWINGS FOR LOOPS, ANCHORS, PROFILES, DETAILS, ELEVATIONS, DIMENSIONS, ETC.

DRAWING INDEX

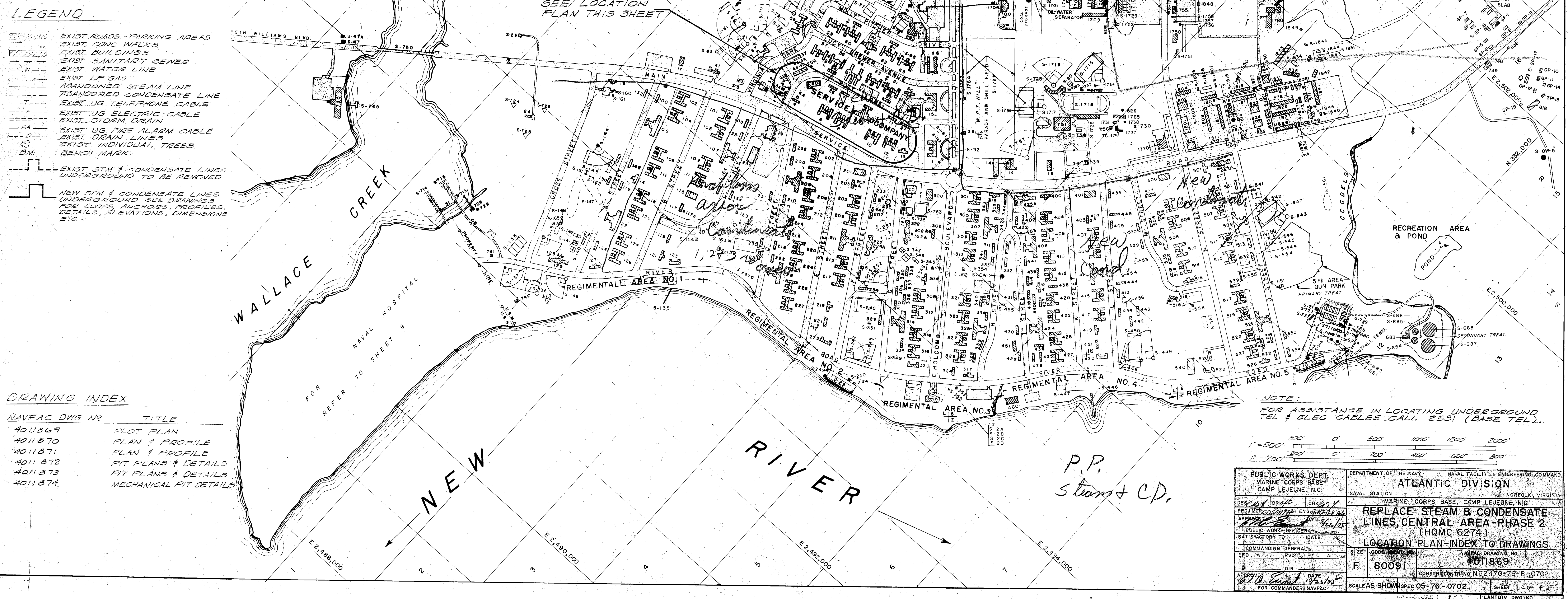
NAVFAC DWG NR	TITLE
4011869	PLOT PLAN
4011870	PLAN & PROFILE
4011871	PLAN & PROFILE
4011872	PIT PLANS & DETAILS
4011873	PIT PLANS & DETAILS
4011874	MECHANICAL PIT DETAILS

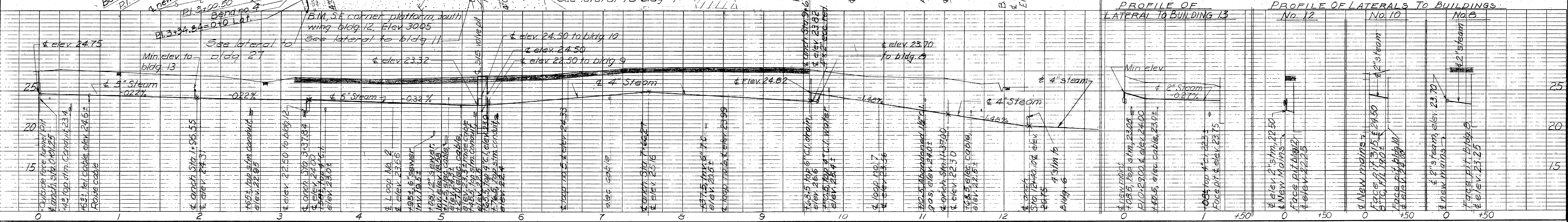
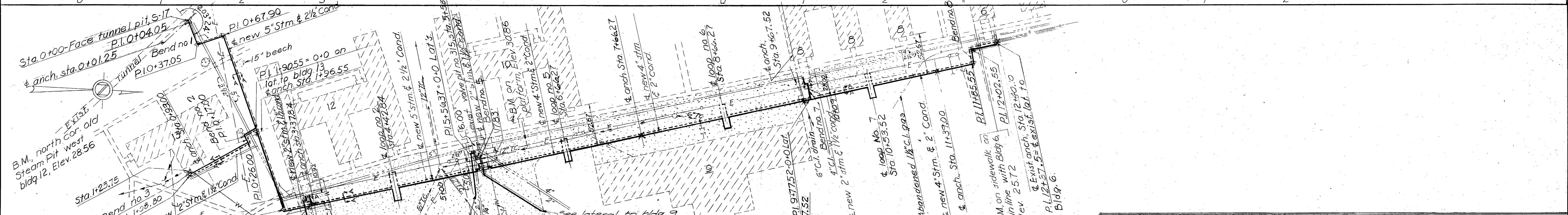
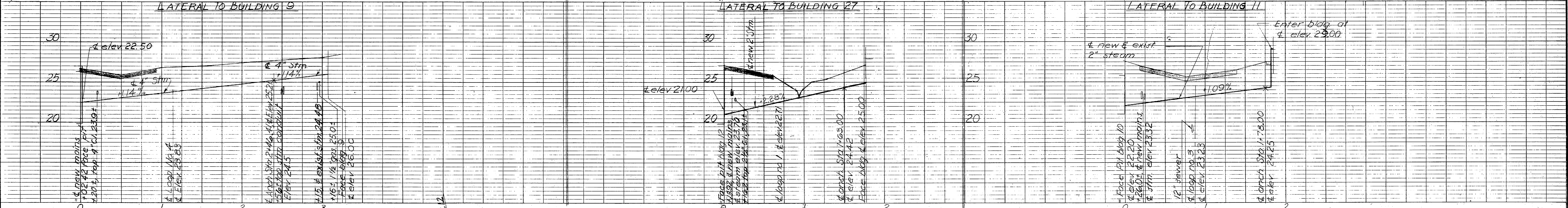
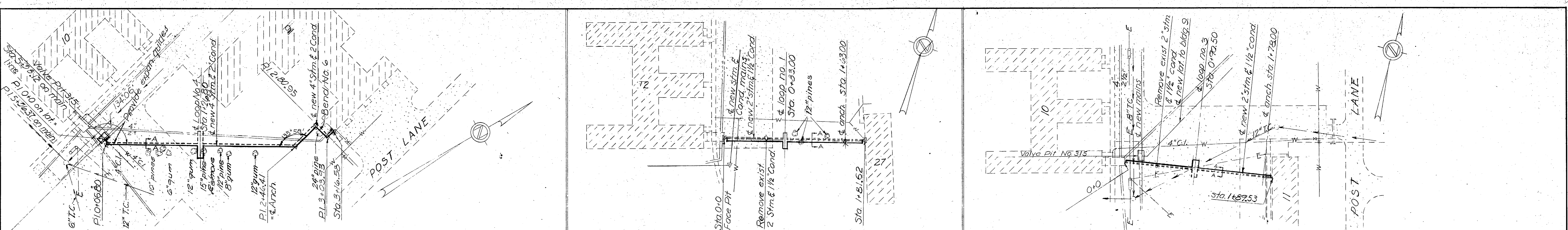
PUBLIC WORKS DEPT. MARINE CORPS BASE CAMP LEJEUNE, N.C.	DEPARTMENT OF THE NAVY NAVAL FACILITIES ENGINEERING COMMAND ATLANTIC DIVISION MARINE CORPS BASE, CAMP LEJEUNE, N.C.
PROJECT: <i>CONDENSATE</i> DATE: <i>12/1/52</i>	REPLACE STEAM & CONDENSATE LINES, CENTRAL AREA - PHASE 2 (HQMC 6274)
Satisfactory to: _____ DATE: _____ COMMANDING GENERAL: _____	LOCATION PLAN - INDEX TO DRAWINGS NAVFAC DRAWING NO. 4011869 F 80091
APPROVED: <i>R.D. Smith</i> DATE: <i>12/1/52</i> FOR COMMANDER, NAVFAC	CONSTRUCTION NO. 6247076-B-0702 SCALE AS SHOWN SPEC 05-76-0702 SHEET 1 OF 8 LANTOY DWG NO.

NOTE:
FOR ASSISTANCE IN LOCATING UNDERGROUND TEL & BLEG CABLES CALL 2531 (BASE TEL).

1" = 500'
1" = 200'

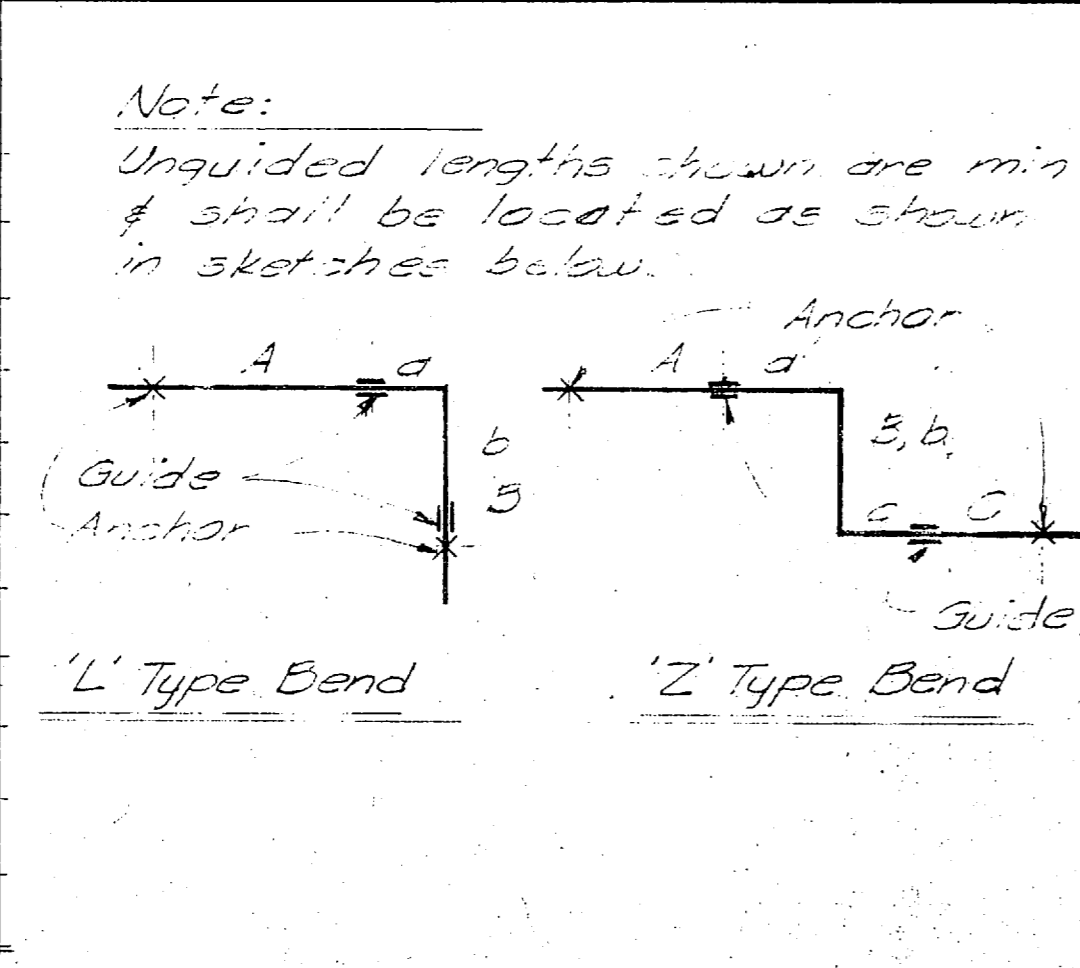
P.P. Steam & CD.





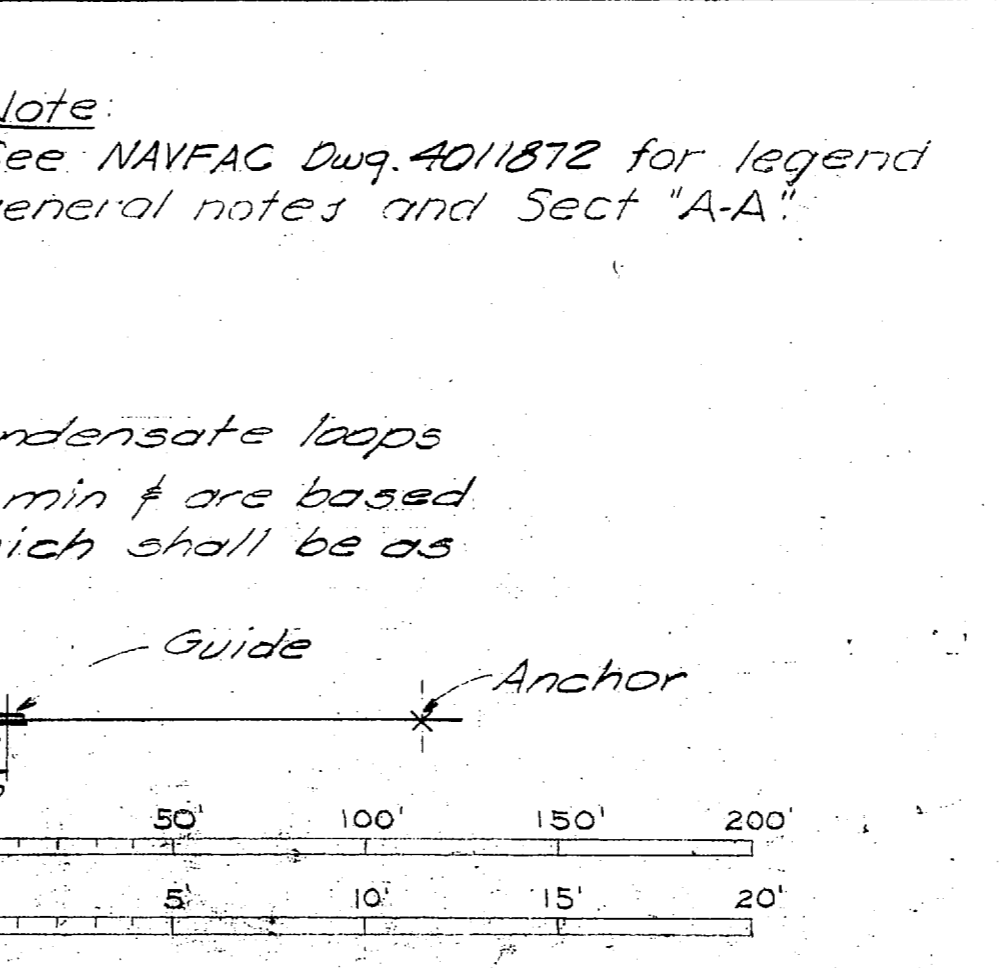
EXPANSION BEND SCHEDULE

LEAD	STEAM SIZE	COND SIZE	UNDEVELOPED LENGTH	LEAD A	LEAD B	LEAD C
1	2"	2"	10'	10'	10'	10'
2	3"	3"	15'	15'	15'	15'
3	4"	4"	20'	20'	20'	20'
4	5"	5"	25'	25'	25'	25'
5	6"	6"	30'	30'	30'	30'
6	8"	8"	40'	40'	40'	40'
7	10"	10"	50'	50'	50'	50'
8	12"	12"	60'	60'	60'	60'
9	14"	14"	70'	70'	70'	70'
10	16"	16"	80'	80'	80'	80'
11	18"	18"	90'	90'	90'	90'



EXPANSION LOOP SCHEDULE

LOOP NO	STEAM SIZE	COLD SIZE	LOOP SIZE W x H	TOTAL EXPAN	LOOP NO	STEAM SIZE	COLD SIZE	LOOP SIZE W x H	TOTAL EXPAN
1	2"	2"	5' x 5'	4"	12	4"	2"	10' x 15'	6"
2	3"	3"	8' x 12'	4"	13	3"	2"	4' x 7'	1"
3	4"	4"	10' x 15'	4"					
4	5"	5"	12' x 18'	4"					
5	6"	6"	14' x 21'	4"					
6	8"	8"	18' x 28'	4"					
7	10"	10"	22' x 35'	4"					
8	12"	12"	26' x 42'	4"					
9	14"	14"	30' x 48'	4"					
10	16"	16"	34' x 54'	4"					
11	18"	18"	38' x 60'	4"					



REVISIONS

SYM	DESCRIPTION	DATE	APPROVED

PUBLIC WORKS DEPT.
MARINE CORPS BASE
CAMP LEJEUNE, N.C.

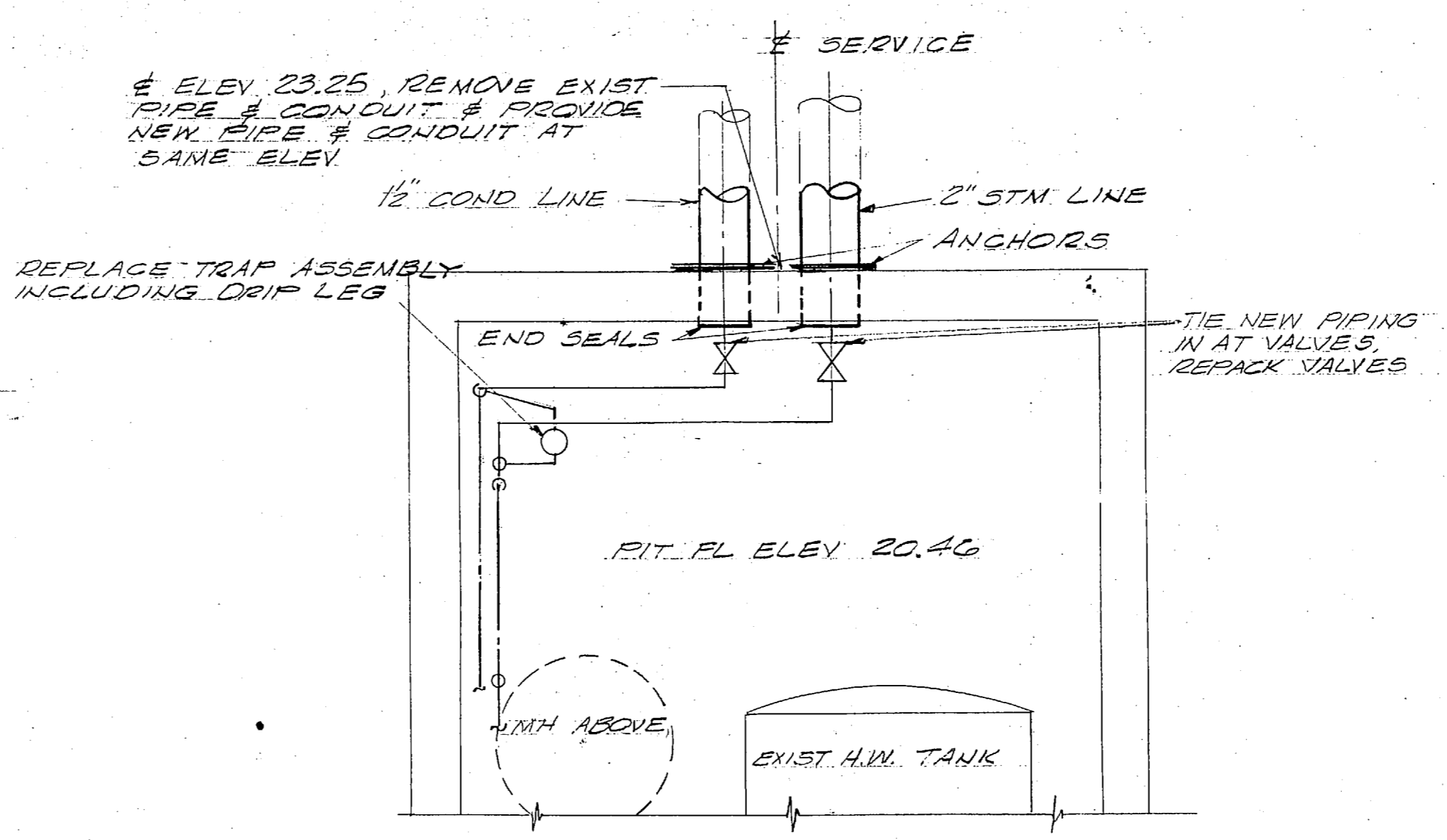
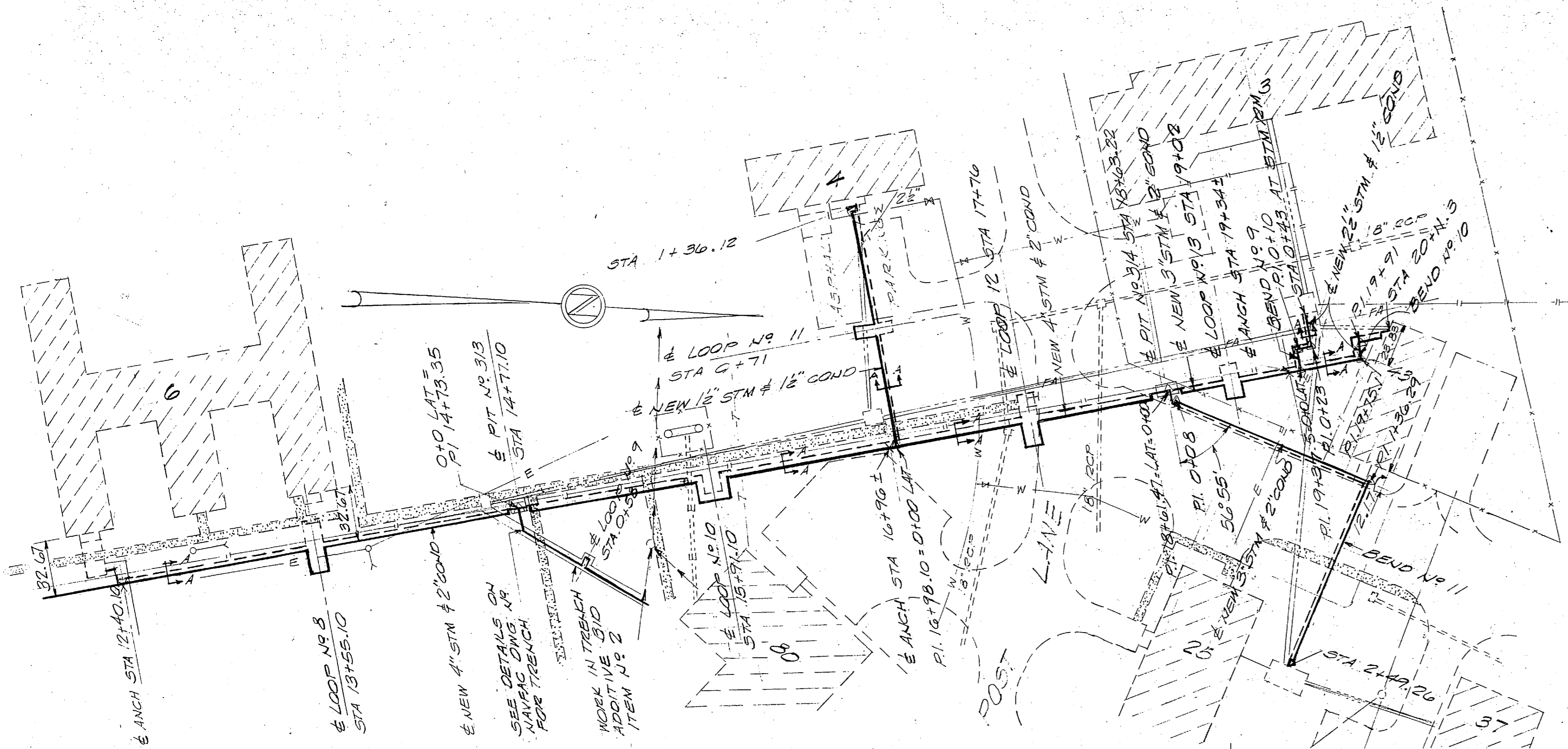
ATLANTIC DIVISION
NAVAL STATION
NORFOLK, VIRGINIA

MARINE CORPS BASE, CAMP LEJEUNE, N.C.

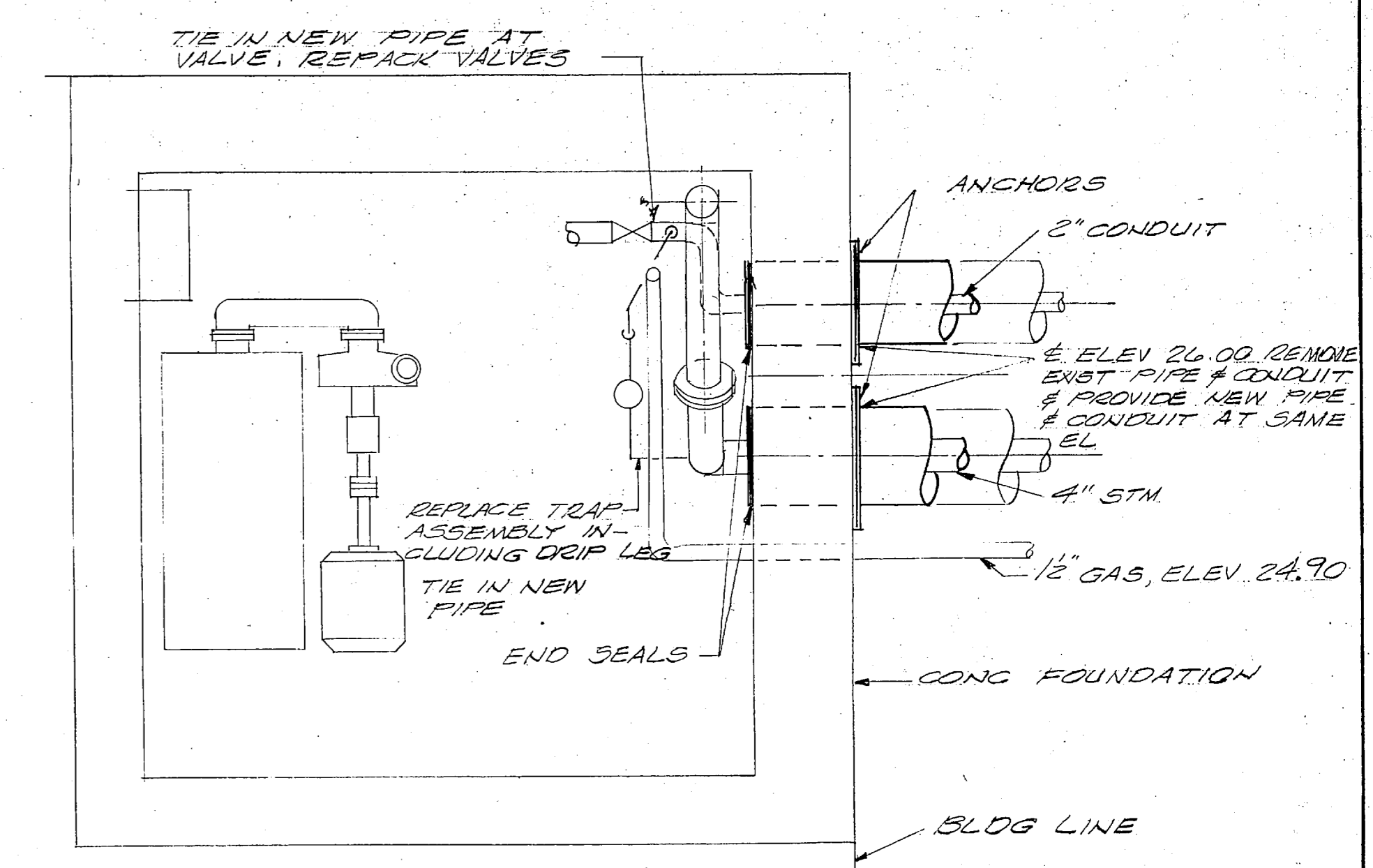
REPLACE STEAM & CONDENSATE LINES, CENTRAL AREA-PHASE 2 (HMC 6274)
PLAN & PROFILES

SIZE CODE IDENT NO: **F 80091**
NAVFAC DRAWINGS NO: **401870**

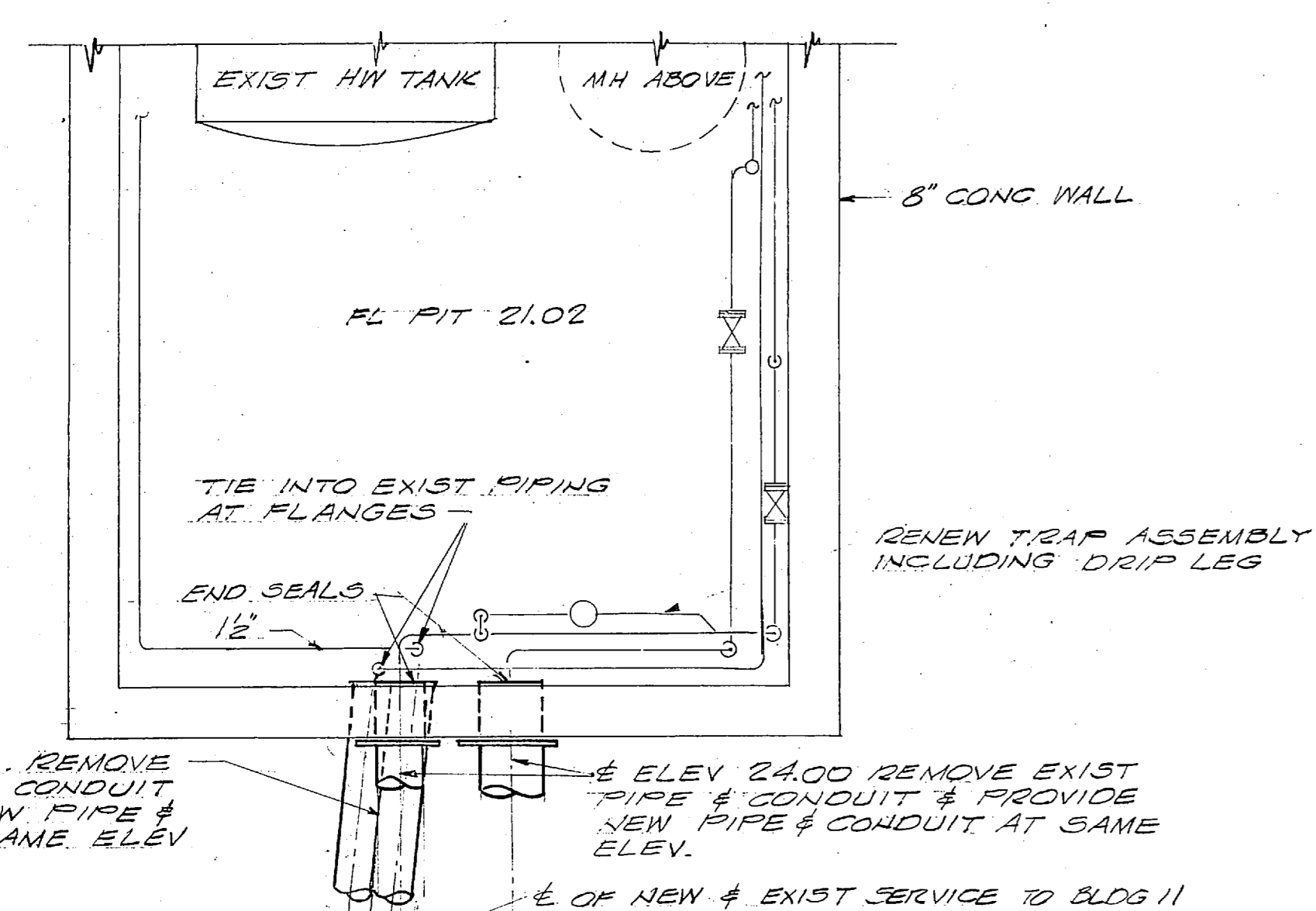
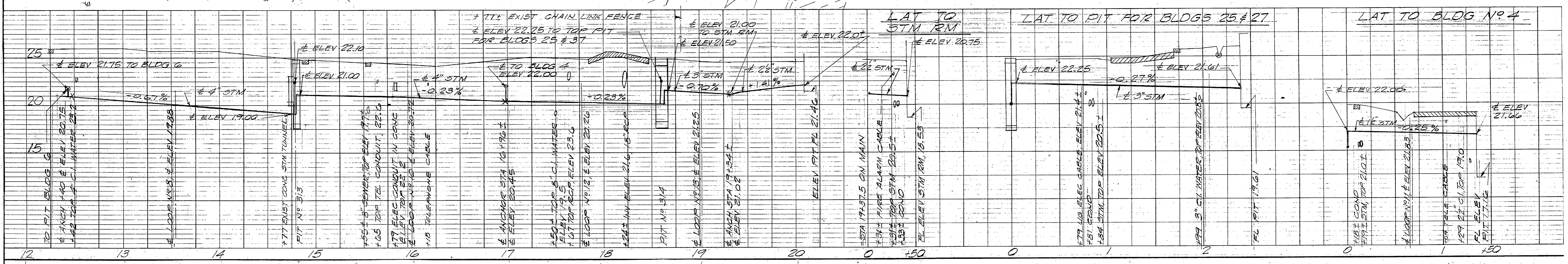
CONSTR CONTR NO: **N62470-76-B-0702**
SCALE AS SHOWN SPEC: **05-76-0702**
SHEET: **2** OF **6**



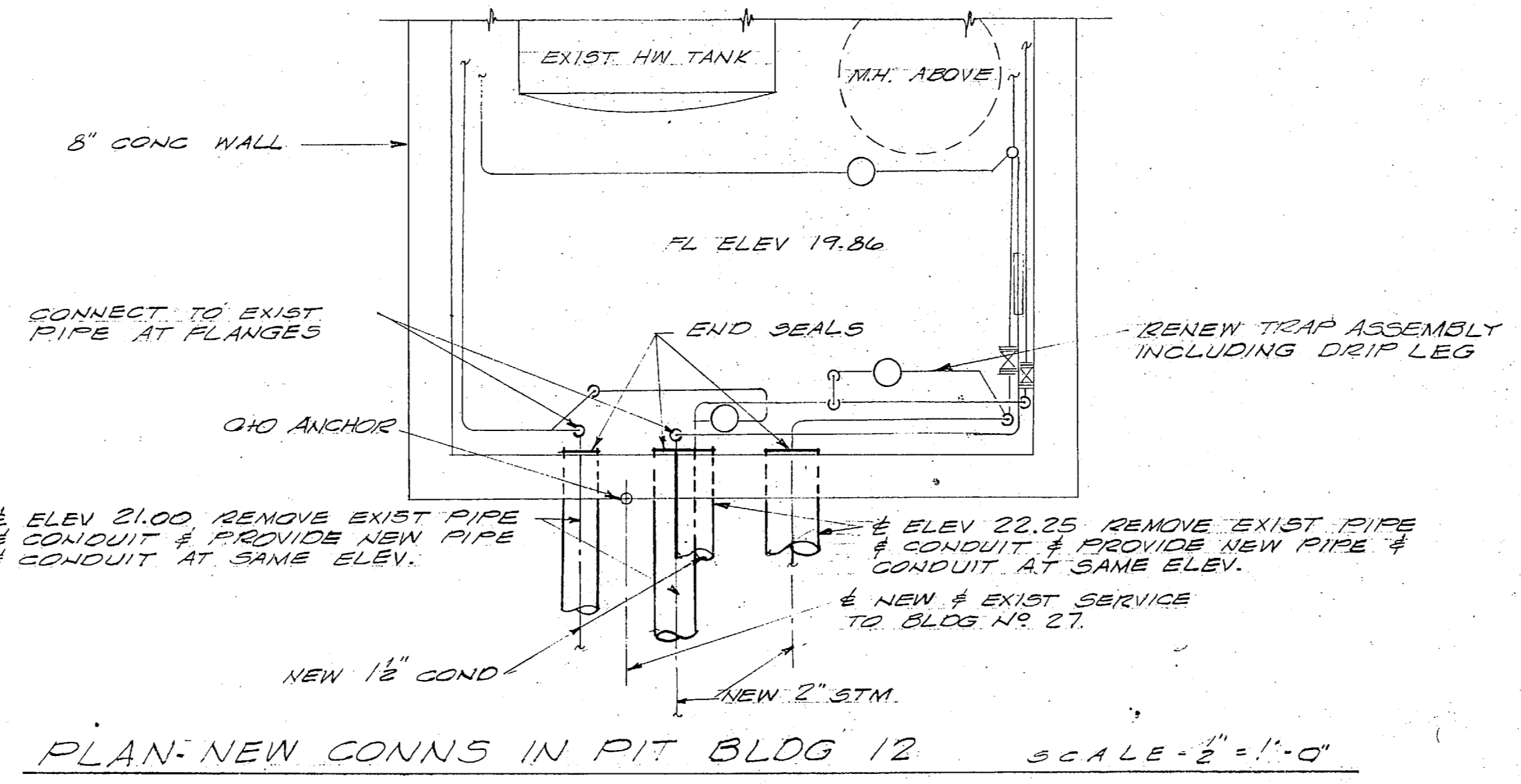
PLAN-NEW CONNS IN PIT BLDG 8 SCALE - 1/2" = 1'-0"



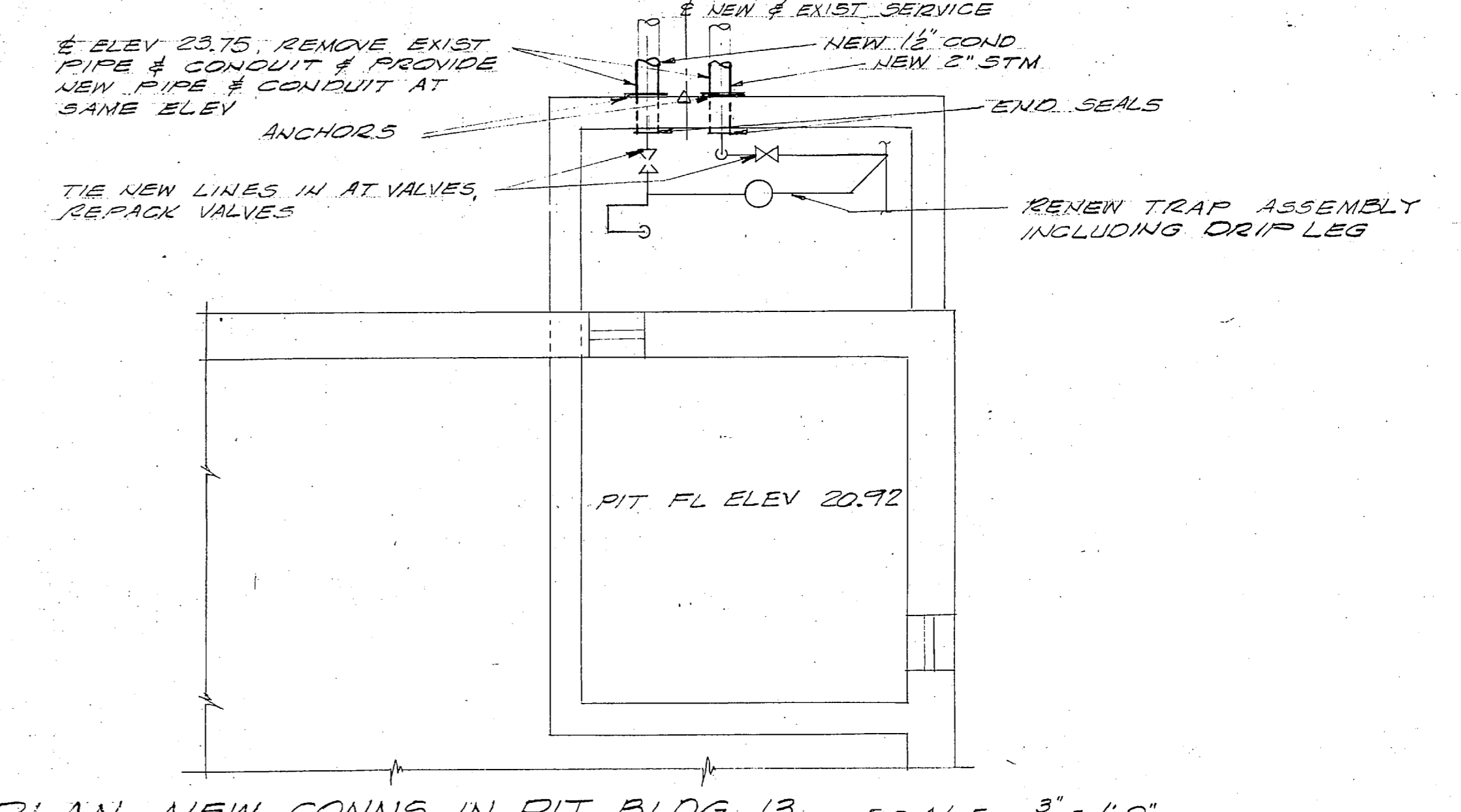
PLAN-NEW CONNS IN PIT BLDG 9 SCALE - 3/8" = 1'-0"



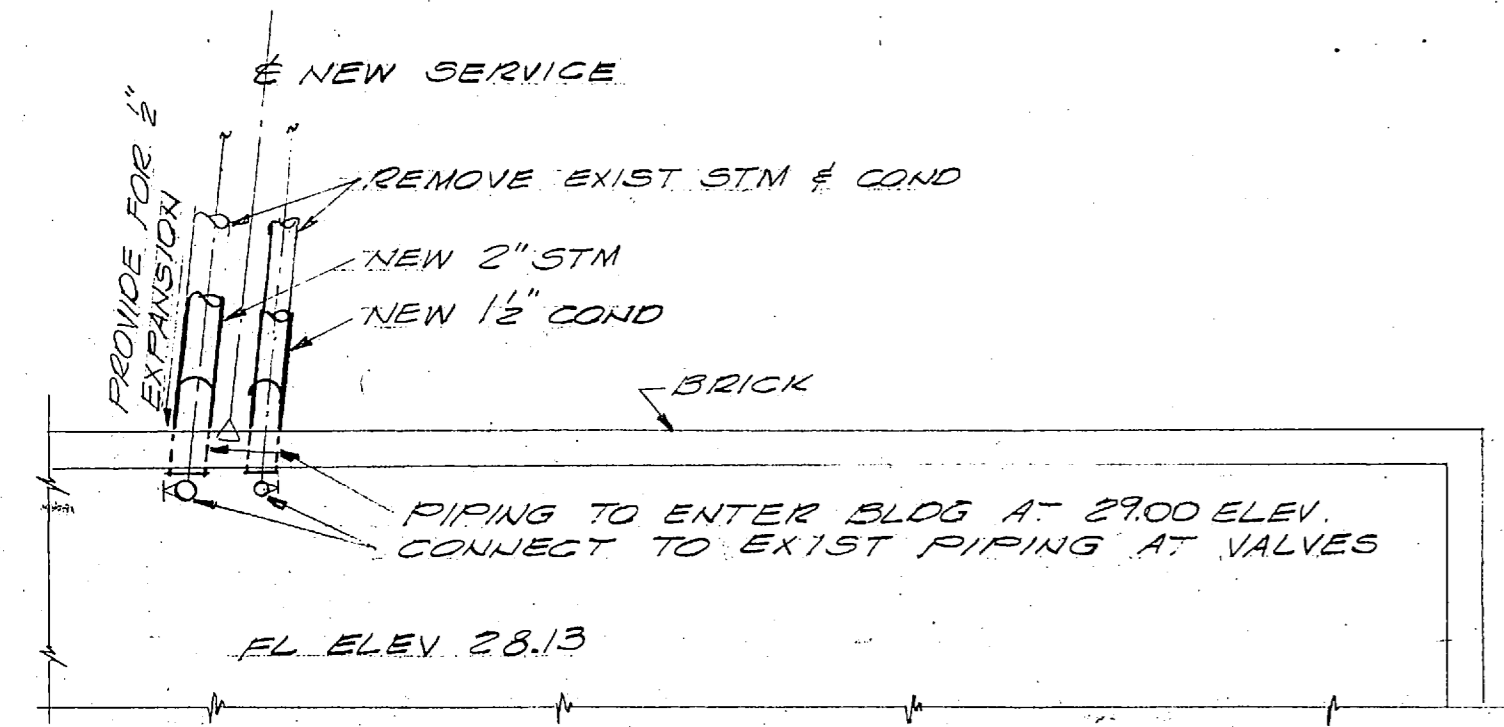
PLAN-NEW CONNS IN PIT BLDG 10 SCALE - 1/2" = 1'-0"



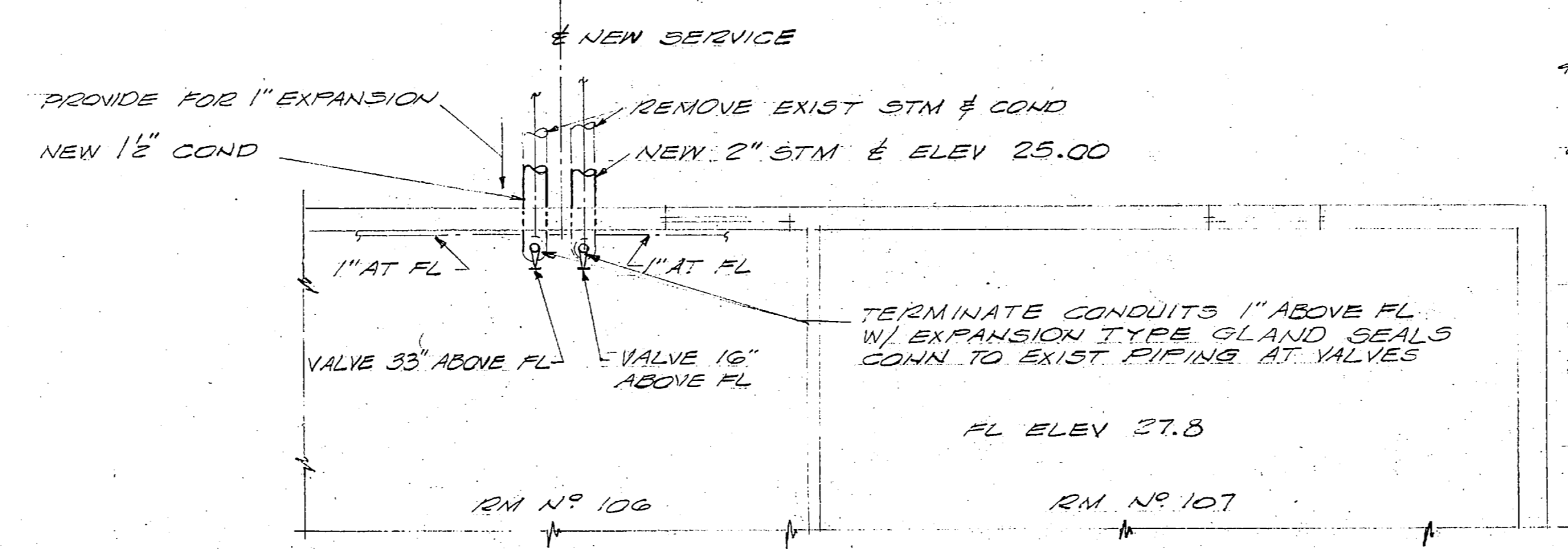
PLAN-NEW CONNS IN PIT BLDG 12 SCALE - 1/2" = 1'-0"



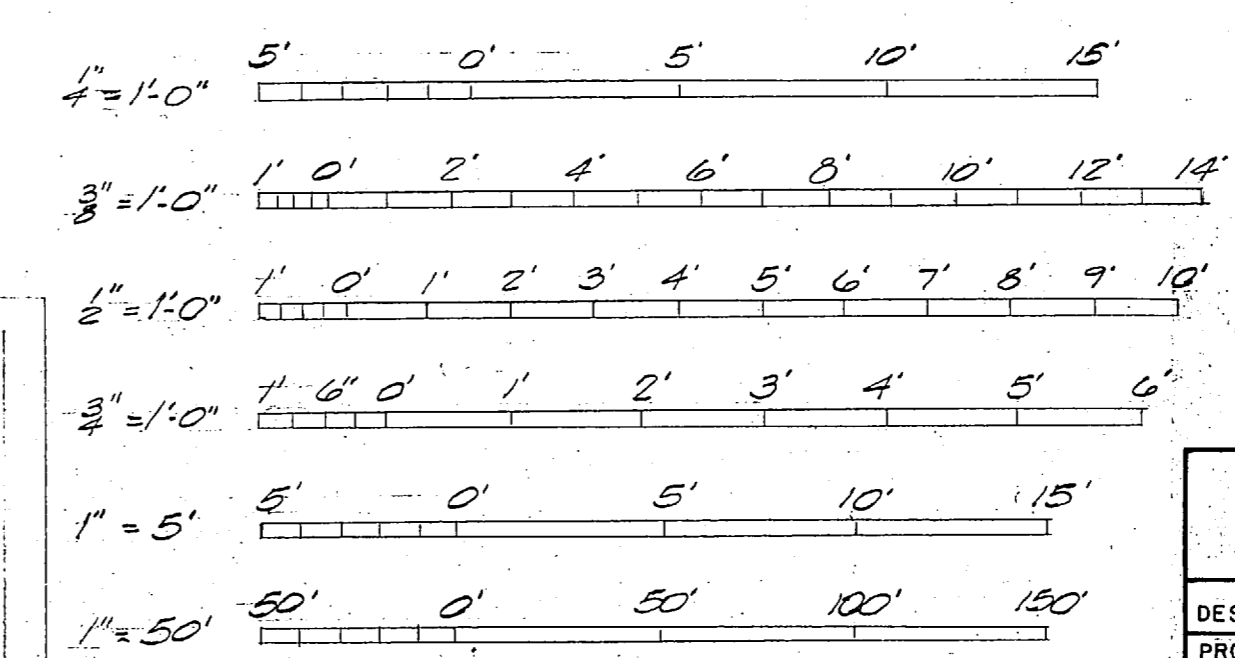
PLAN-NEW CONNS IN PIT BLDG 13 SCALE - 3/8" = 1'-0"



PLAN-NEW CONNS IN BLDG 11 SCALE - 1/2" = 1'-0"

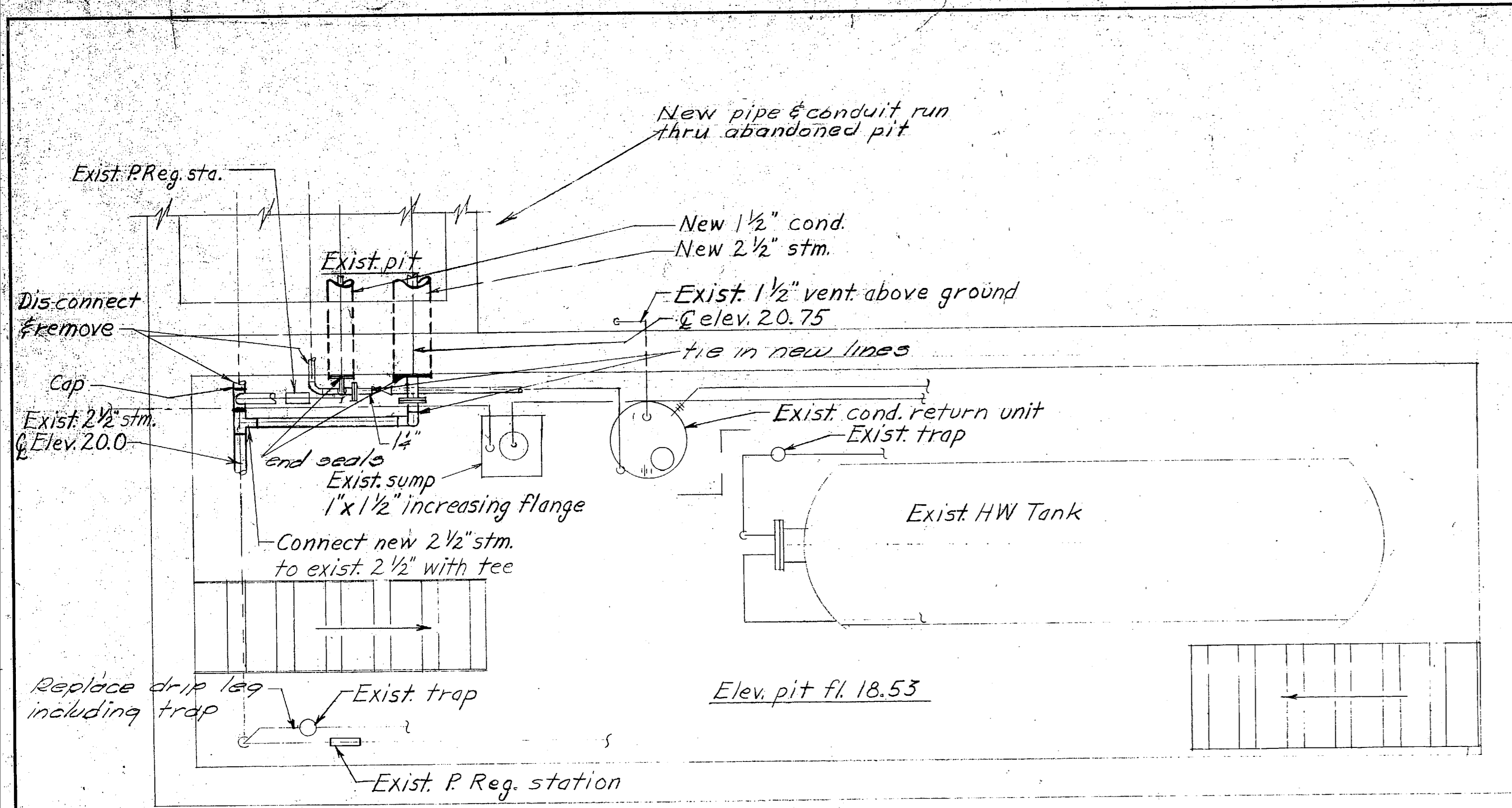


PLAN-NEW CONNS IN BLDG 27 SCALE - 1/4" = 1'-0"

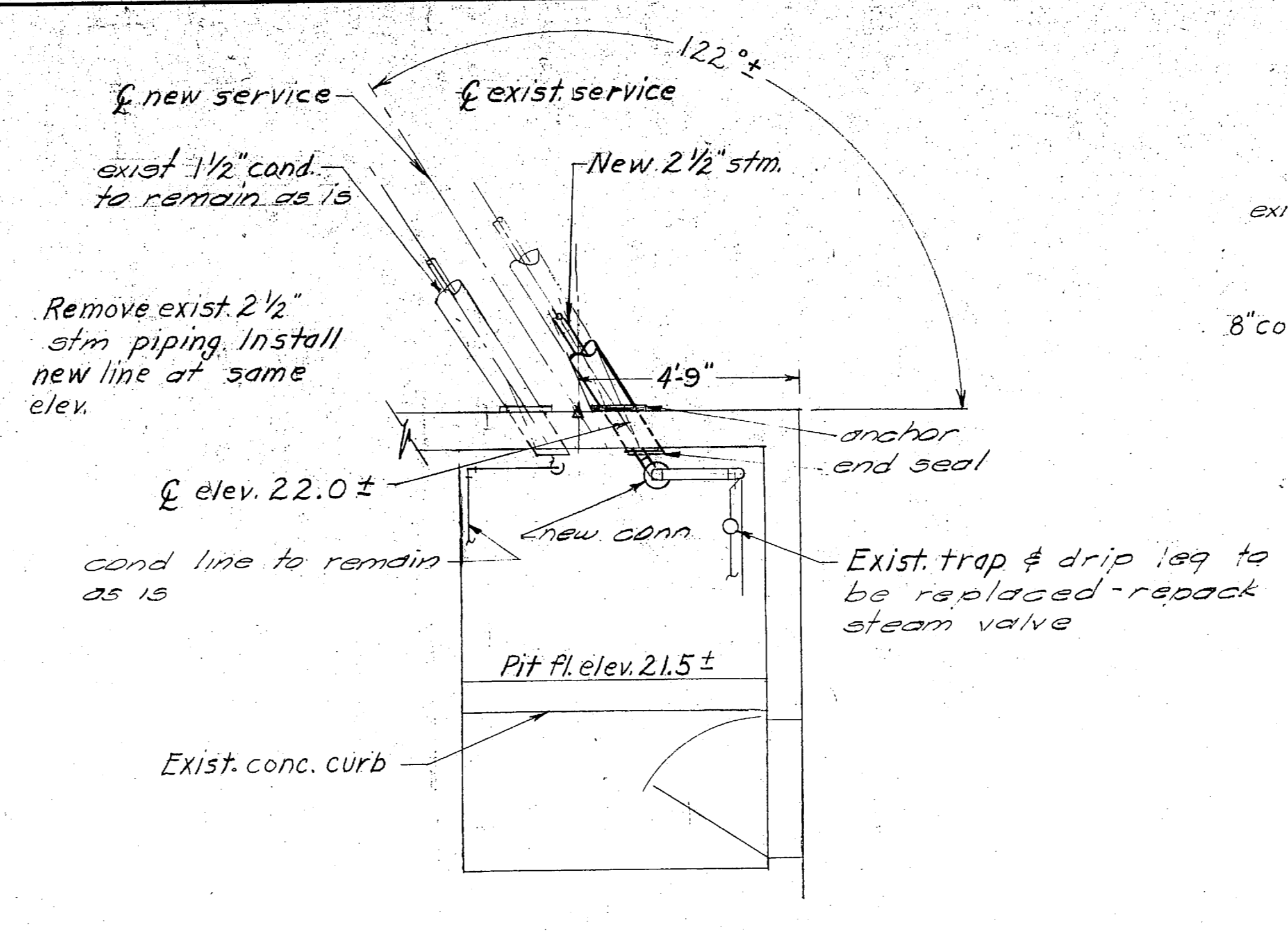


REVISIONS		DATE		APPROVED	
SYM	DESCRIPTION				

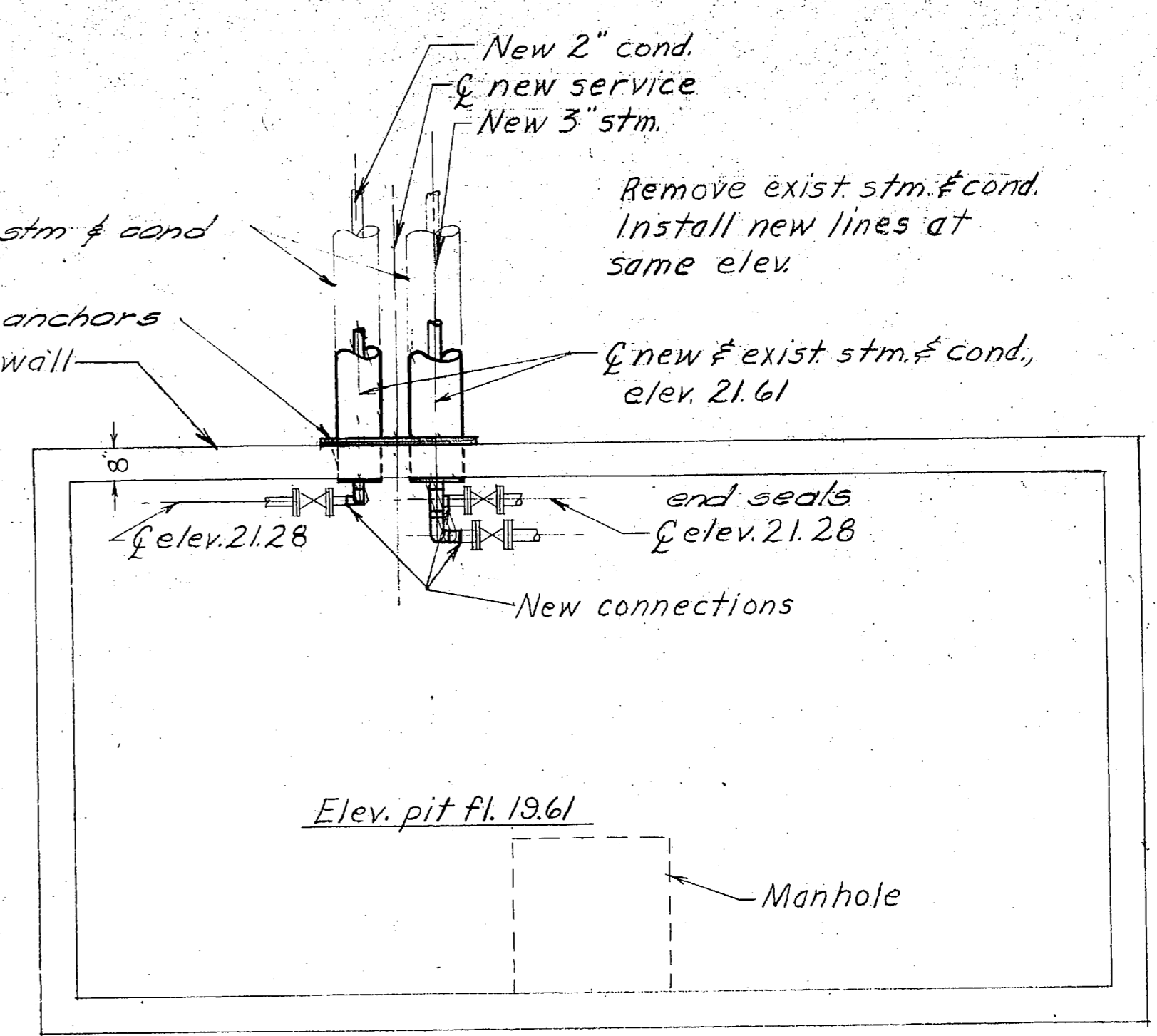
PUBLIC WORKS DEPT. MARINE CORPS BASE CAMP LEJEUNE, N.C.		DEPARTMENT OF THE NAVY NAVAL FACILITIES ENGINEERING COMMAND ATLANTIC DIVISION NORFOLK, VIRGINIA	
DESIGNED BY: DR. 146		MARINE CORPS BASE, CAMP LEJEUNE, N.C.	
PROJECT NO. 6274		REPLACE STEAM & CONDENSATE LINES, CENTRAL AREA-PHASE 2 (HQM 6274)	
APPROVED BY: [Signature]		PUBLIC WORKS OFFICER	
SATISFACTORY TO: [Signature]		COMMANDING GENERAL	
EFD: [Signature]		RVD: [Signature]	
NO. [Signature]		DIR: [Signature]	
APPROVED BY: [Signature]		DATE: 10/12/52	
FOR COMMANDER, NAVFAC		SCALE AS SHOWN SPEC 05-76-0702	
SIZE: F		CODE IDENT NO: 80091	
NAVFAC DRAWING NO: 4011871		CONSTR CONTR NO: N62470-76-B-0702	
SHEET 3 OF 6		LANTDIV DWG NO.	



PLAN EXIST. STM. RM. AT BRIG, BLDG 3
Scale: 1/2" = 1'-0"



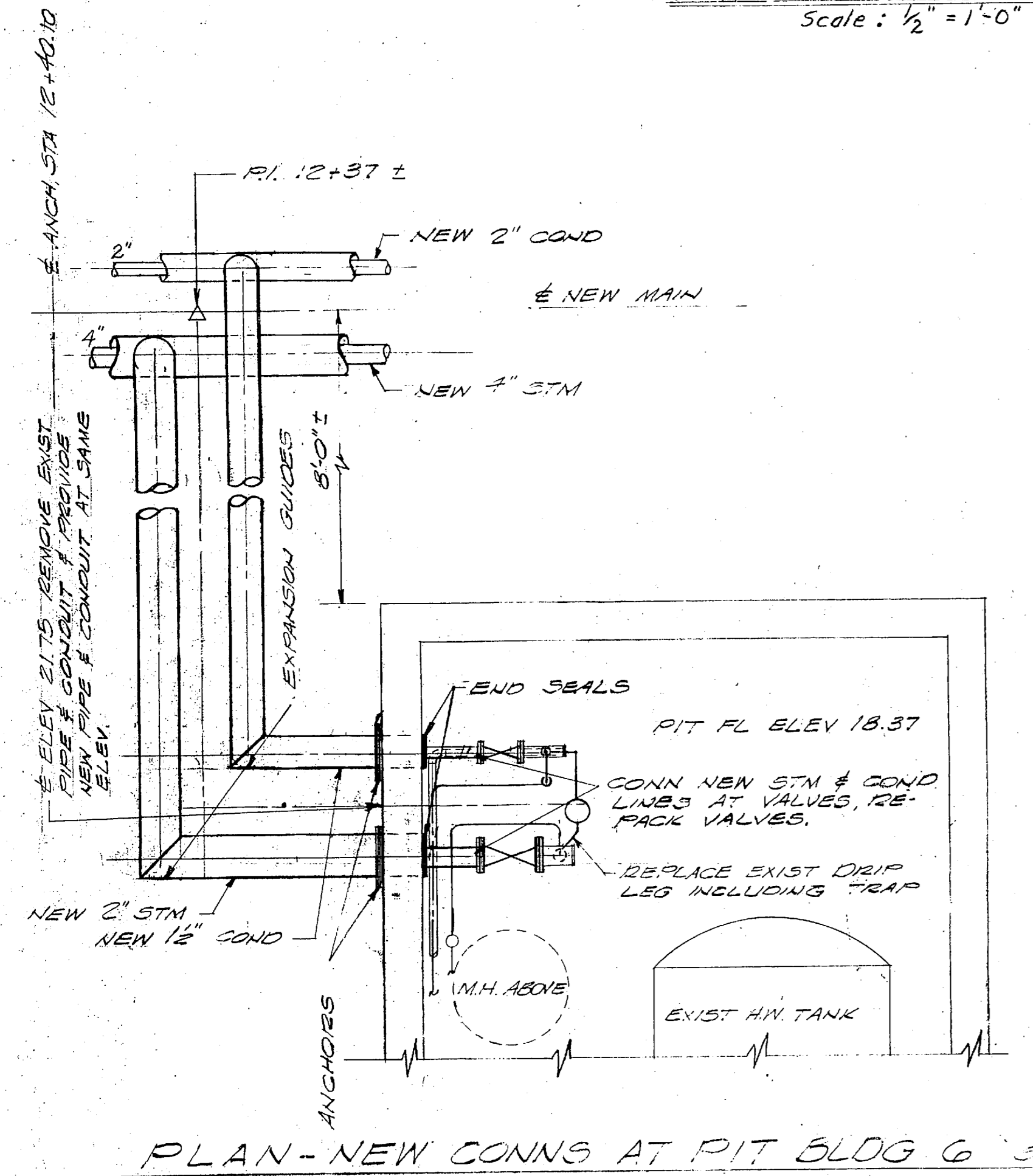
PLAN PIT, BLDG 43
Scale: 3/8" = 1'-0"



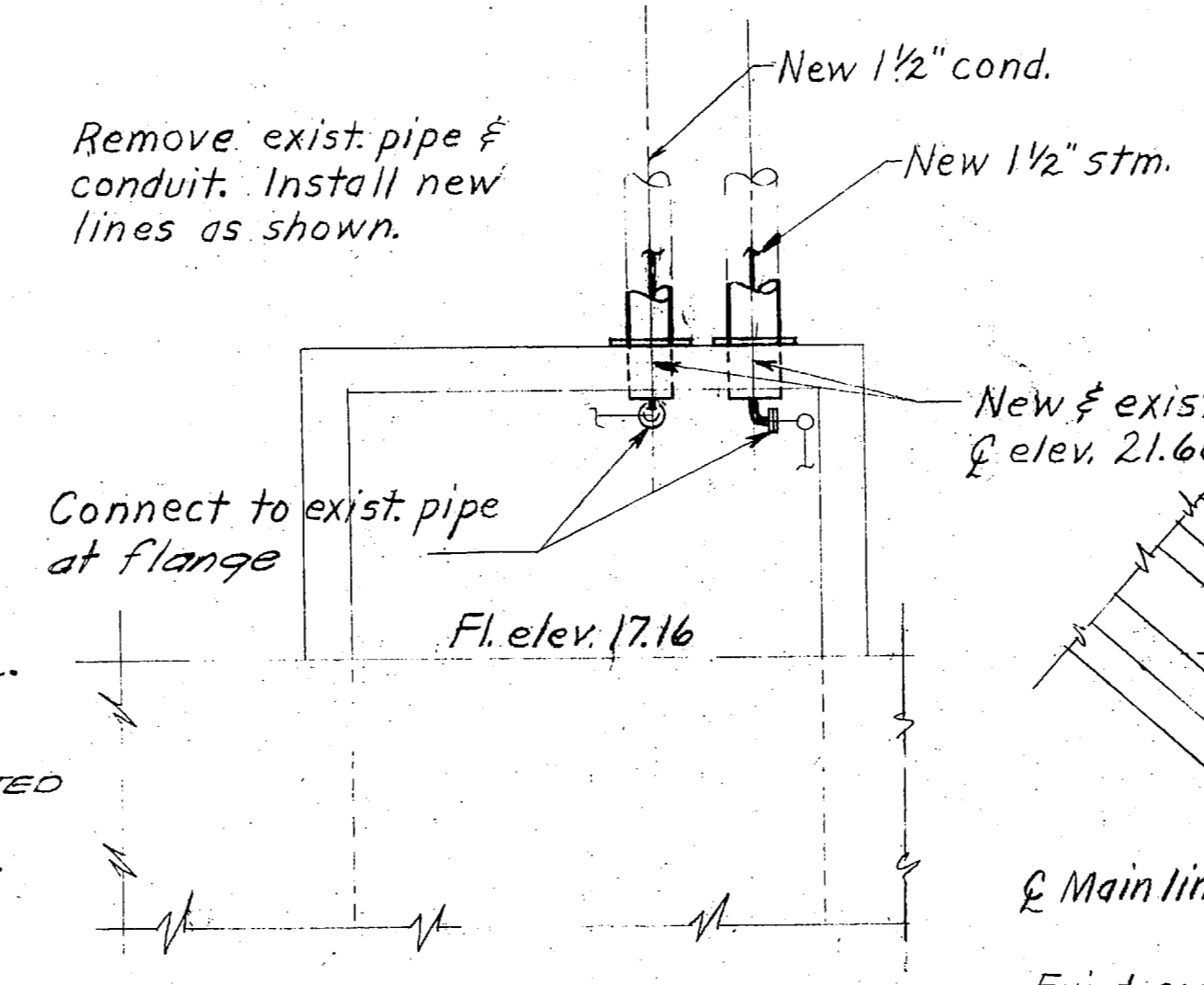
PLAN EXIST. PIT AT BLDGS. 25 & 37
Scale: 3/8" = 1'-0"

GENERAL NOTES

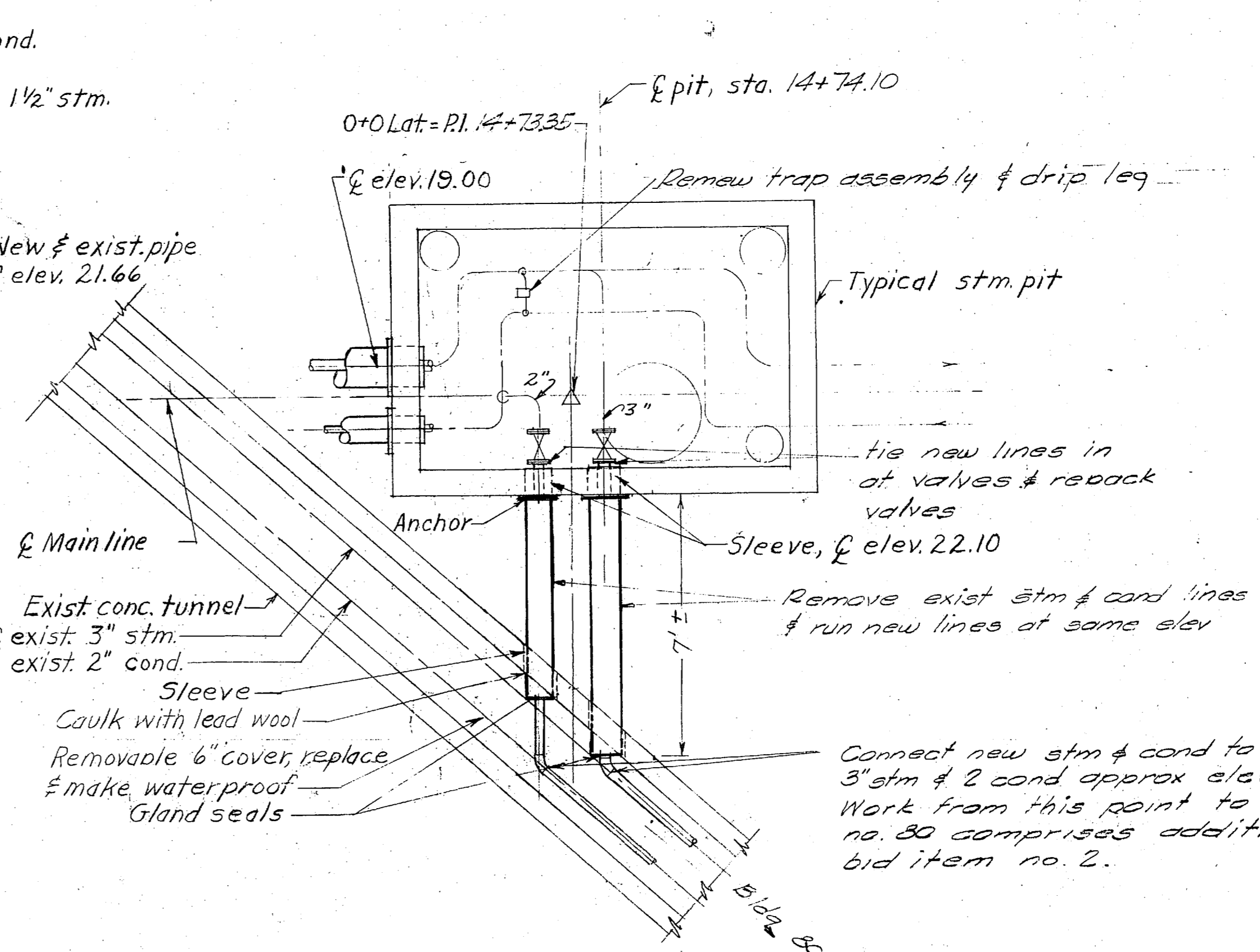
1. REPLACE CONDENSATE LINES THRU MAIN LINE PITS. REUSE EXIST VALVES UNLESS NOTED OTHERWISE. REPACK ALL COND VALVES TO BE REUSED.
2. REUSE STM LINES IN PITS. REPLACE TRAP ASSEMBLIES & REPACK ALL STM VALVES.
3. STATIONS AT BLDG PITS ARE AT OUTSIDE FACES OF PITS.
4. STM & COND LINES SHALL BE ANCHORED AT ALL BLDG PIT WALLS WHEN ENTERING SUCH PITS UNLESS OTHERWISE SHOWN. SEE NAVFAC DWG NO 4011873 FOR ANCHOR DETAIL.
5. ALL UNDERGROUND ELECTRICAL, TELEPHONE & FIRE ALARM CABLES SHALL BE PROTECTED BY SUPPORTING IN AN ENCLOSED BOX OR CHANNEL. RELOCATIONS REQUIRING SLICING TO BE DONE BY GENT UPON NOTIFICATION.
6. SUPPORT TELEPHONE & POWER POLES LOCATED WITHIN 10 FT OF TRENCH PRIOR TO DIGGING.
7. ALL BENDS & LOOPS SHALL BE COLD SPRUNG 50% CREDIT FOR COLD SPRING WILL NOT BE TAKEN IN STRESS EVALUATION.
8. FOR LOCATION OF GUIDES IN LOOPS & BENDS SEE SCHEDULES FOR LOOPS & BENDS ON NAVFAC DWG NO 4011870.
9. EXCAVATION IN IMMEDIATE VICINITY OF UNDERGROUND UTILITIES SHALL BE BY HAND.
10. EXIST TREES ARE TO REMAIN UNLESS NOTED "REMOVE" OR AS DIRECTED BY THE OFFICER IN CHARGE.
11. BASIS FOR DESIGN OF LOOPS & BENDS: STM 2.53" EXPAN/100 FT, COND 2.40" EXPAN/100 FT.
12. EXTEND ALL CONDUIT VENTS UP TO BOTTOM OF MANHOLE COVER OR GRATE.
13. REPLACE ALL DRIP LEGS & TRAP ASSEMBLIES IN PITS & MANHOLES & INSULATE ALL STM & COND LINES, NEW & EXIST, IN ALL PITS & MANHOLES.



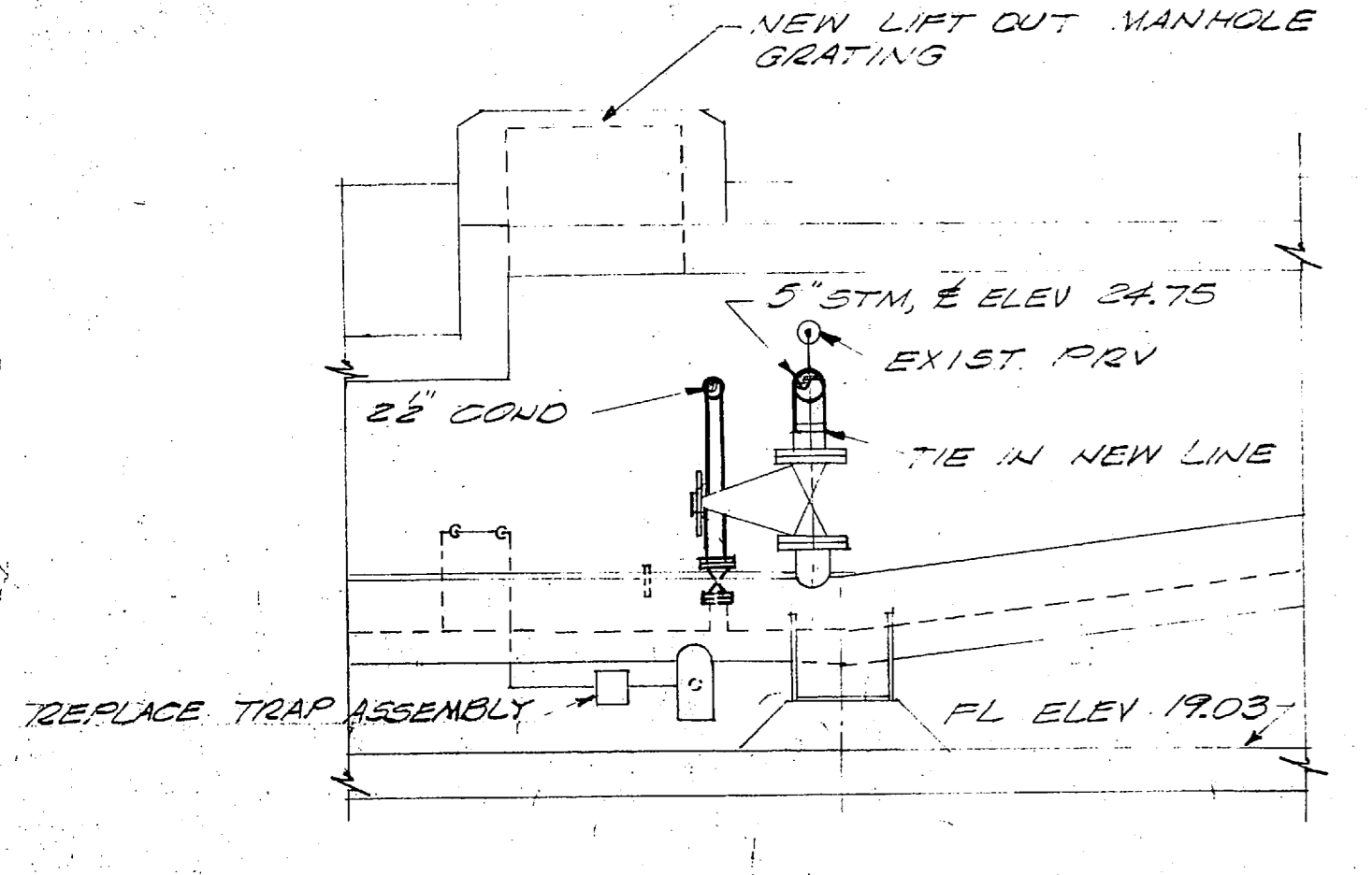
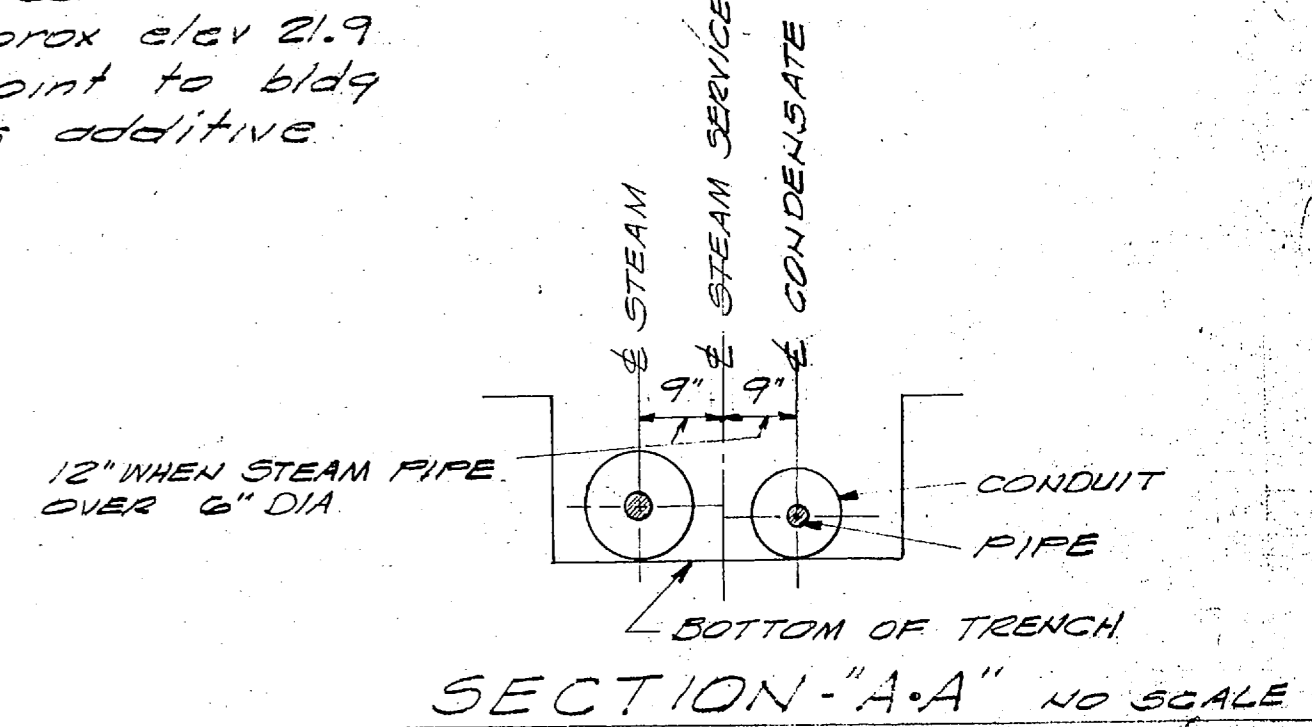
PLAN-NEW CONNS AT PIT BLDG 6 SCALE: 2" = 1'-0"



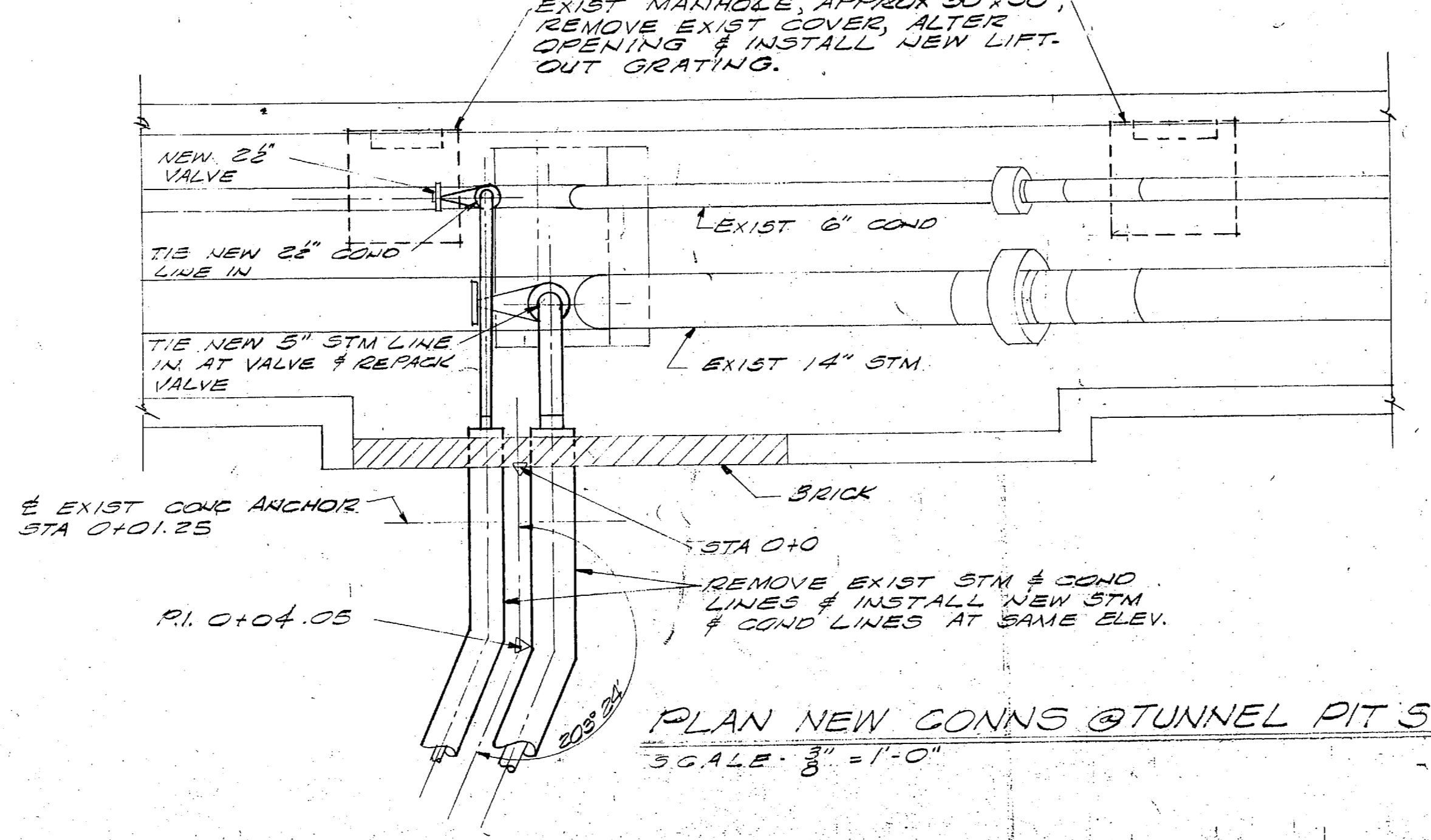
PLAN PIT, BLDG 4
Scale: 3/8" = 1'-0"



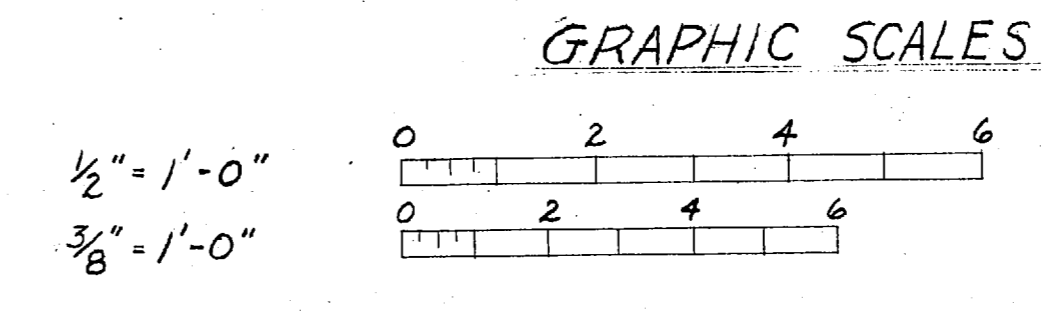
PLAN CONNECTIONS TO EXIST TUNNEL AT PIT 313
Scale: 3/8" = 1'-0"



SECTION @ NEW CONNS PIT 5-17
Scale: 3/8" = 1'-0"

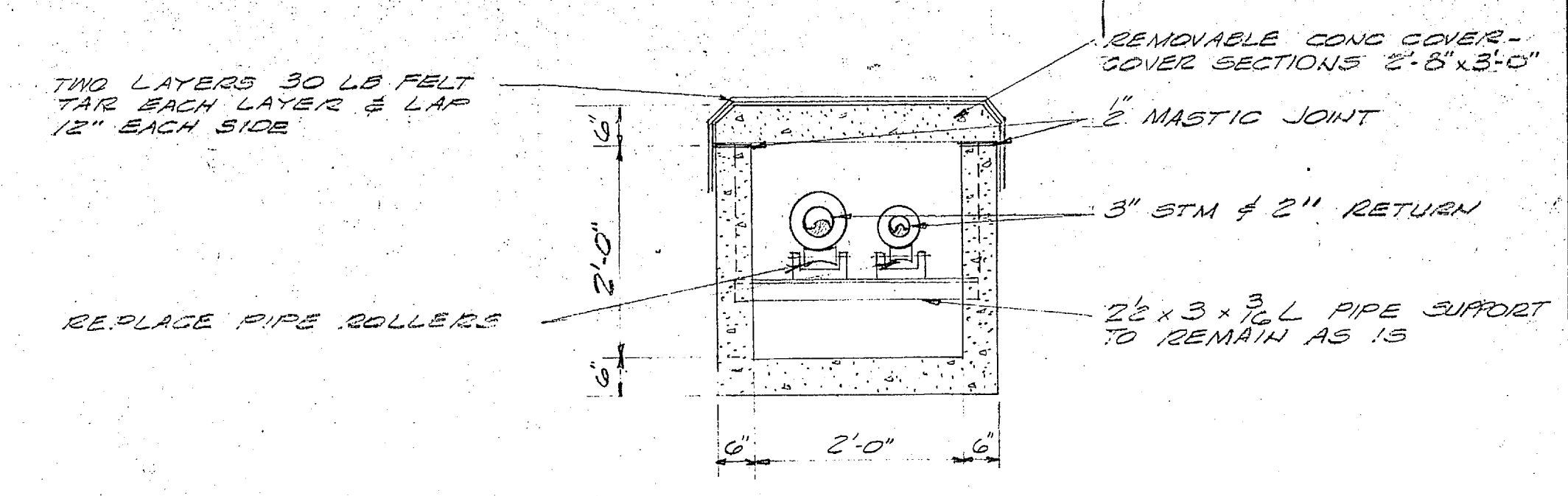
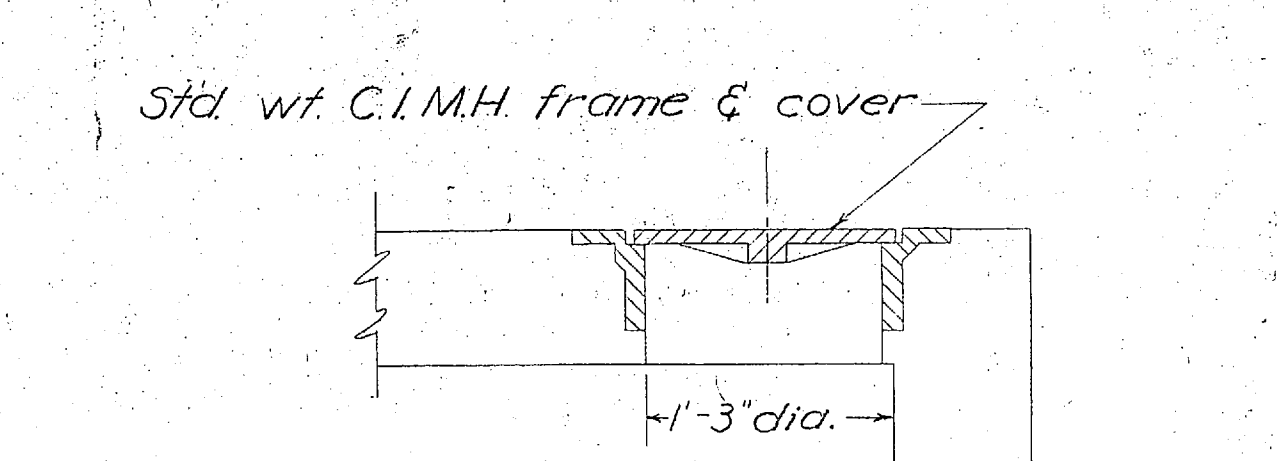
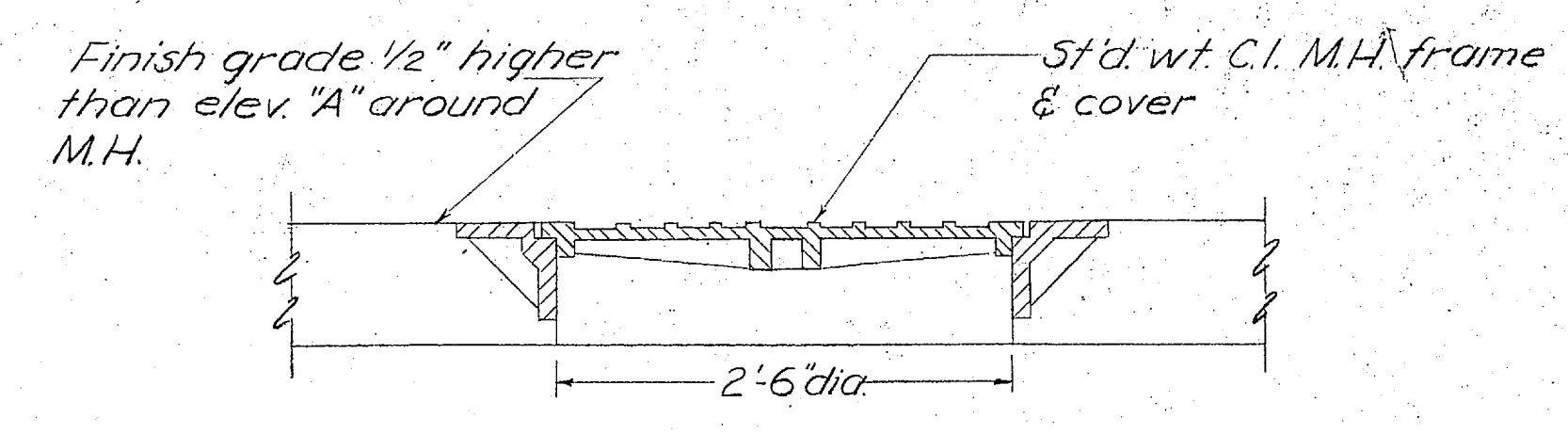
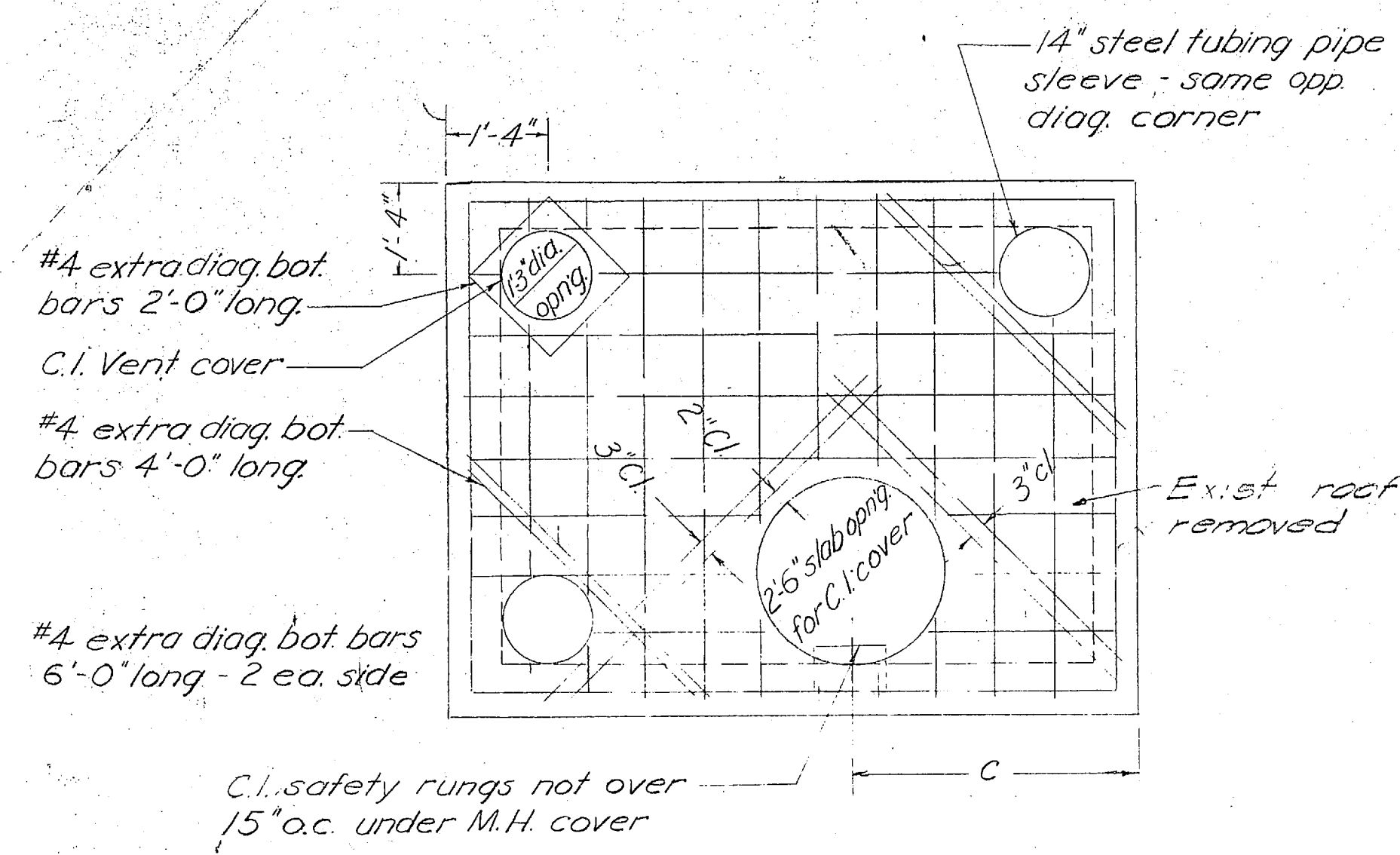


PLAN NEW CONNS @ TUNNEL PIT 5-17
Scale: 3/8" = 1'-0"



REVISIONS		
SYM	DESCRIPTION	DATE APPROVED

PUBLIC WORKS DEPT. MARINE CORPS BASE CAMP LEJEUNE, N.C.		DEPARTMENT OF THE NAVY NAVAL FACILITIES ENGINEERING COMMAND ATLANTIC DIVISION	
DESIGNED BY: DR/2		MARINE CORPS BASE, CAMP LEJEUNE, N.C.	
DRAWN BY: CHK/20		NORFOLK, VIRGINIA	
APPROVED BY: [Signature]		REPLACE STEAM & CONDENSATE LINES, (CENTRAL AREA-PHASE 2) DETAILS	
SCHEDULED DATE: 12/15		NAVFAC DRAWING NO. 40H872	
COMMANDED BY: [Signature]		CONSTR CONTR NO N62470-76-B-0702	
DATE: 12/15		SCALE: 3/8" = 1'-0"	
SPEC: 05-76-0702		SHEET 4 OF 6	
FOR COMMANDER, NAVFAC		LANDIV DWG NO	

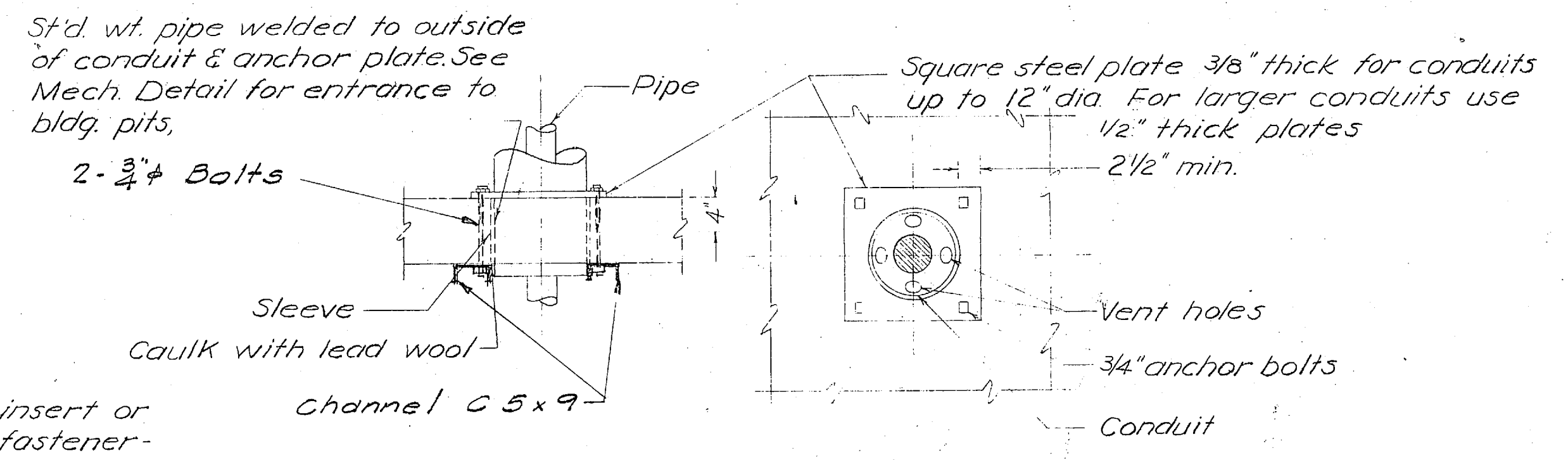
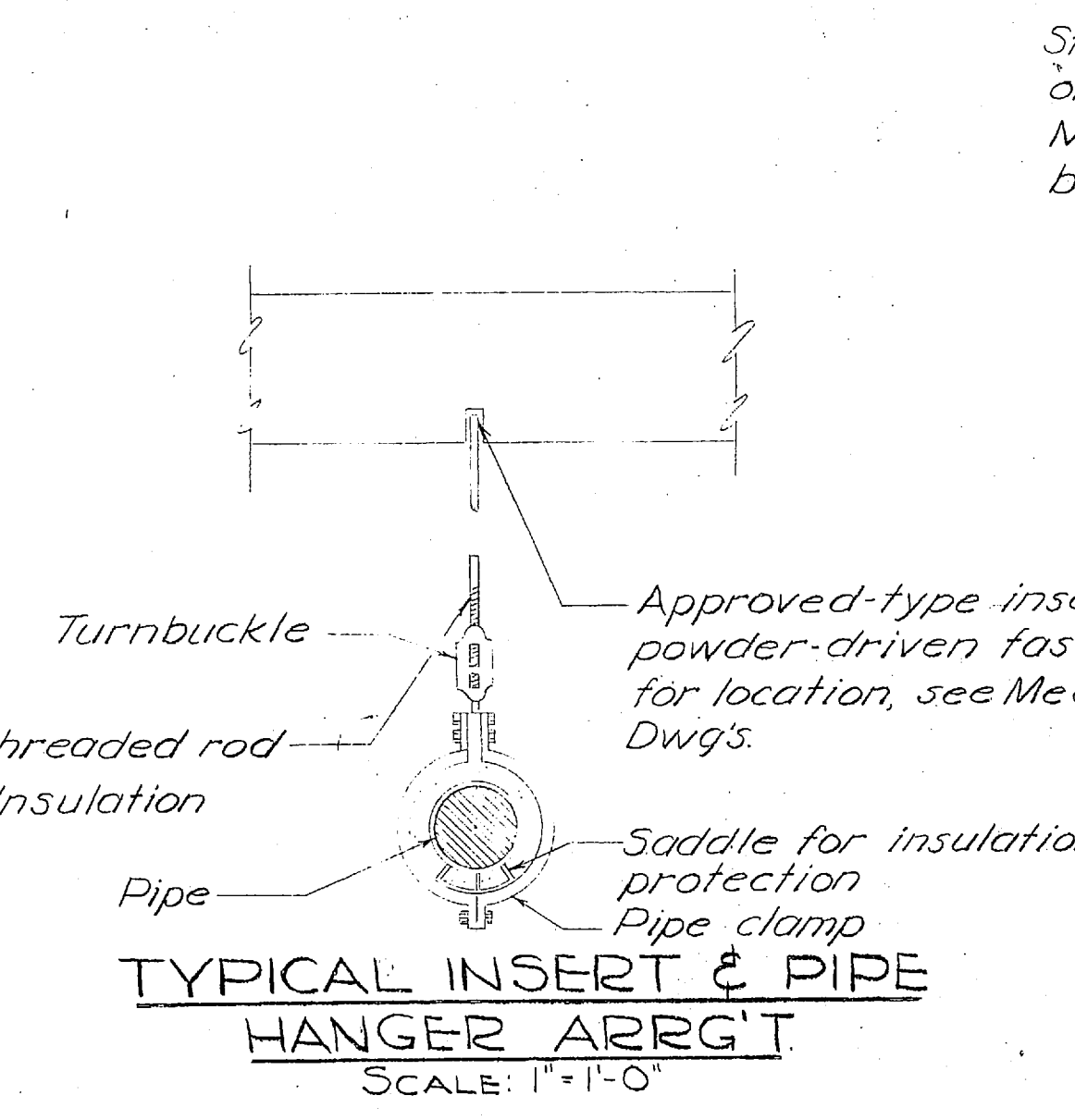


EXIST ROOF PLAN TYPICAL PITS
 Note: SCALE: 1/2" = 1'-0"
 Roof plan shown for left hand (L.H.) pit. For right hand (R.H.) pit, reverse Pit Cover Opening Arrgt.

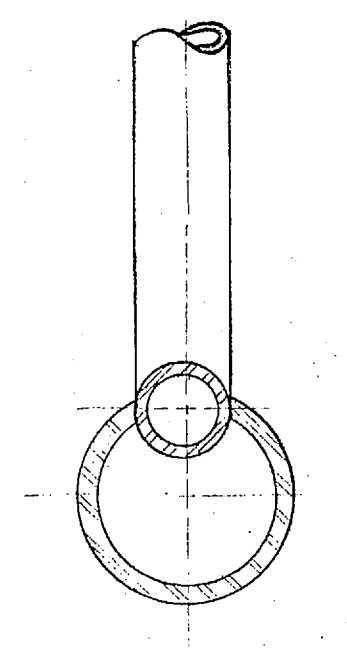
EXIST M.H. COVER SETTING
 SCALE: 1" = 1'-0"

EXIST VENT. COVER SETTING
 SCALE: 1" = 1'-0"

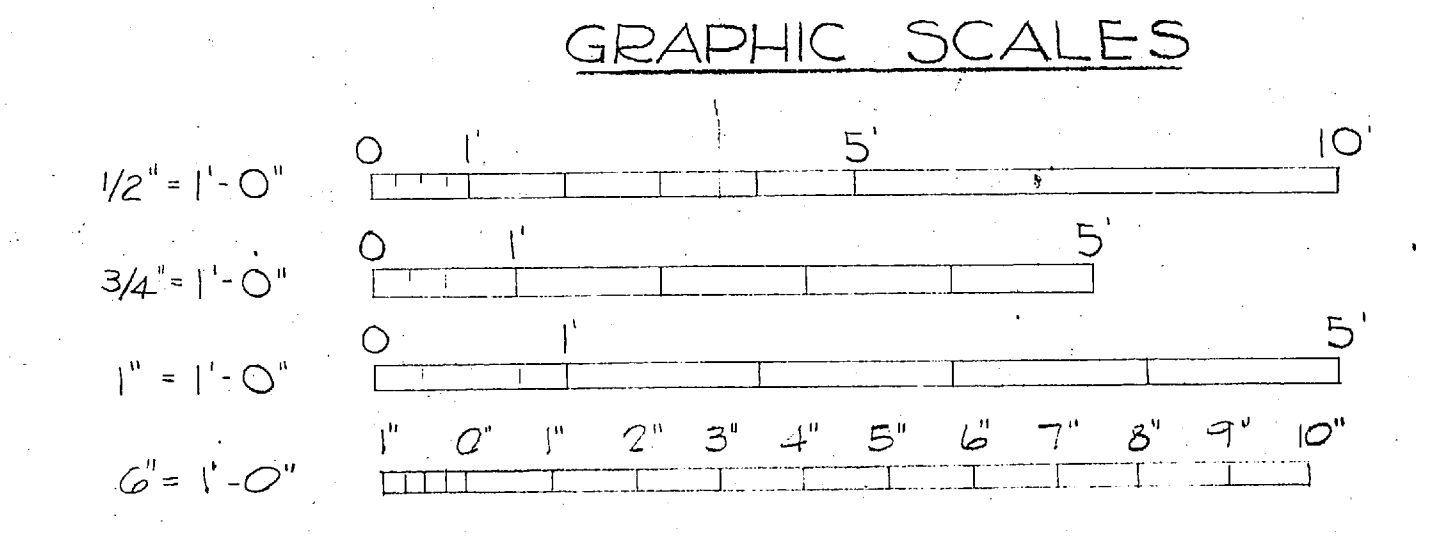
TYPICAL UTILITY TRENCH SECTION SCALE: 3/4" = 1'-0"



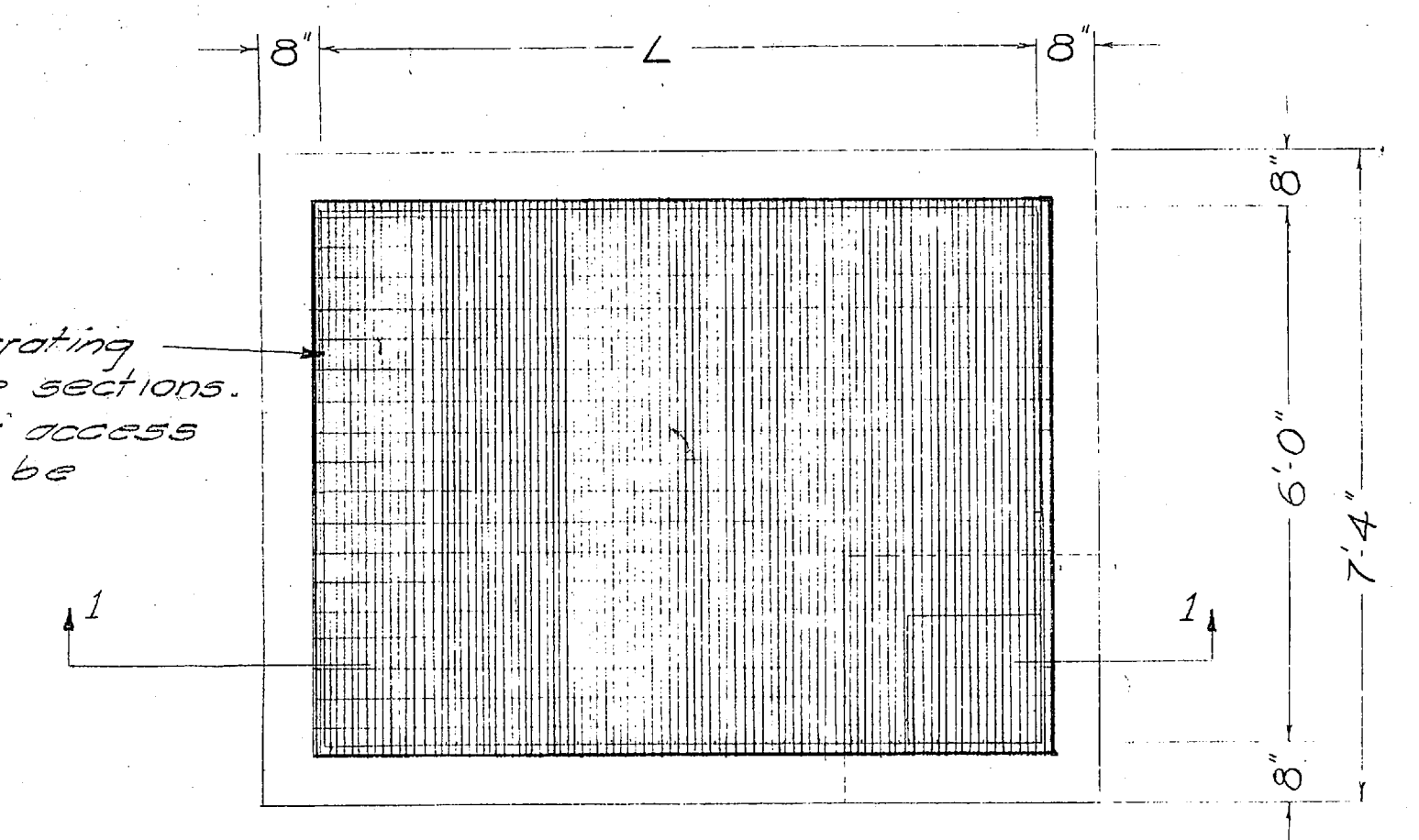
TYPICAL PLATE ANCHOR DETAIL AT PITS & MANHOLES
 SCALE: 3/4" = 1'-0"



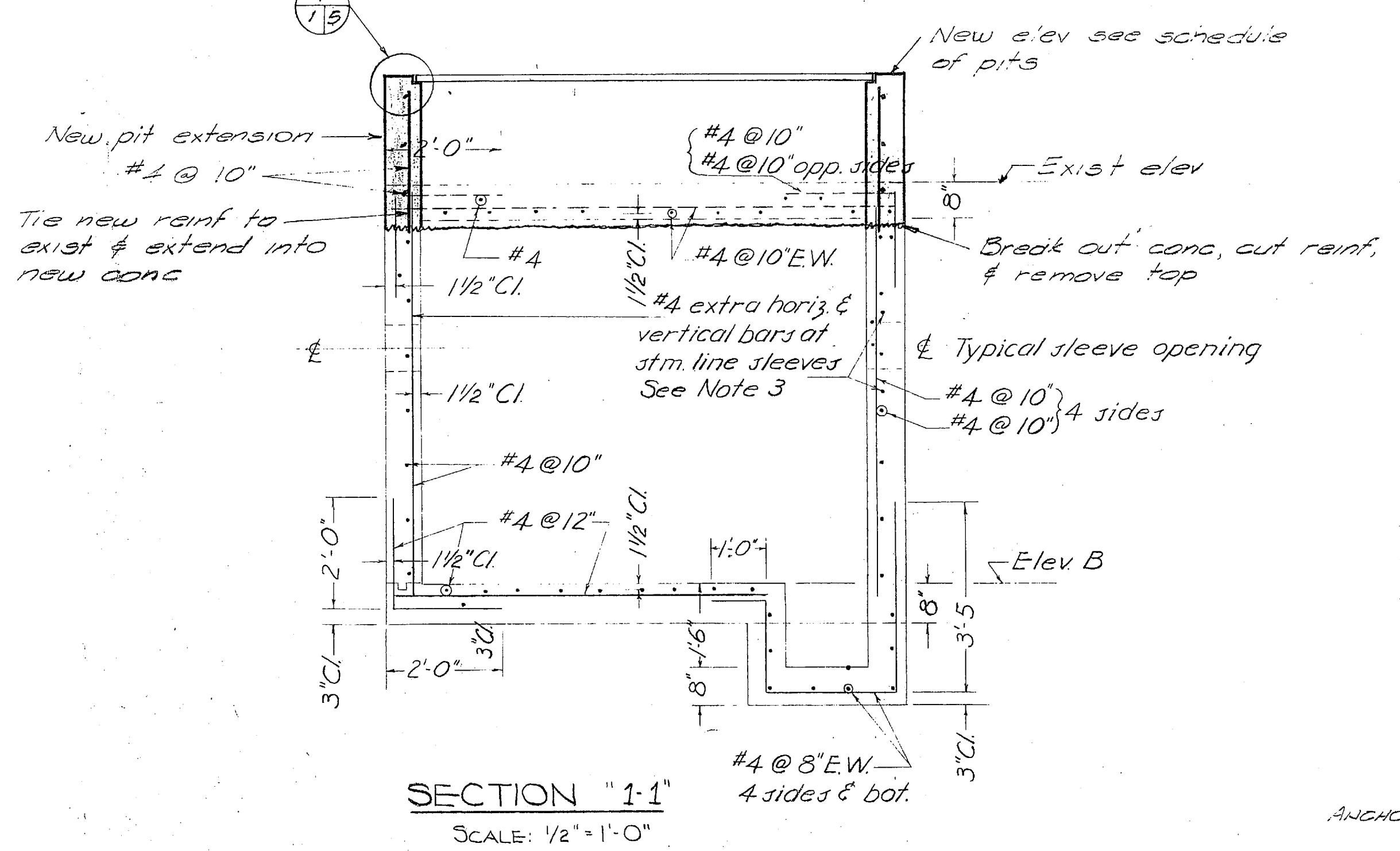
DETAIL - OF TRAP DISCHARGE TO RETURN MAIN
 NO SCALE



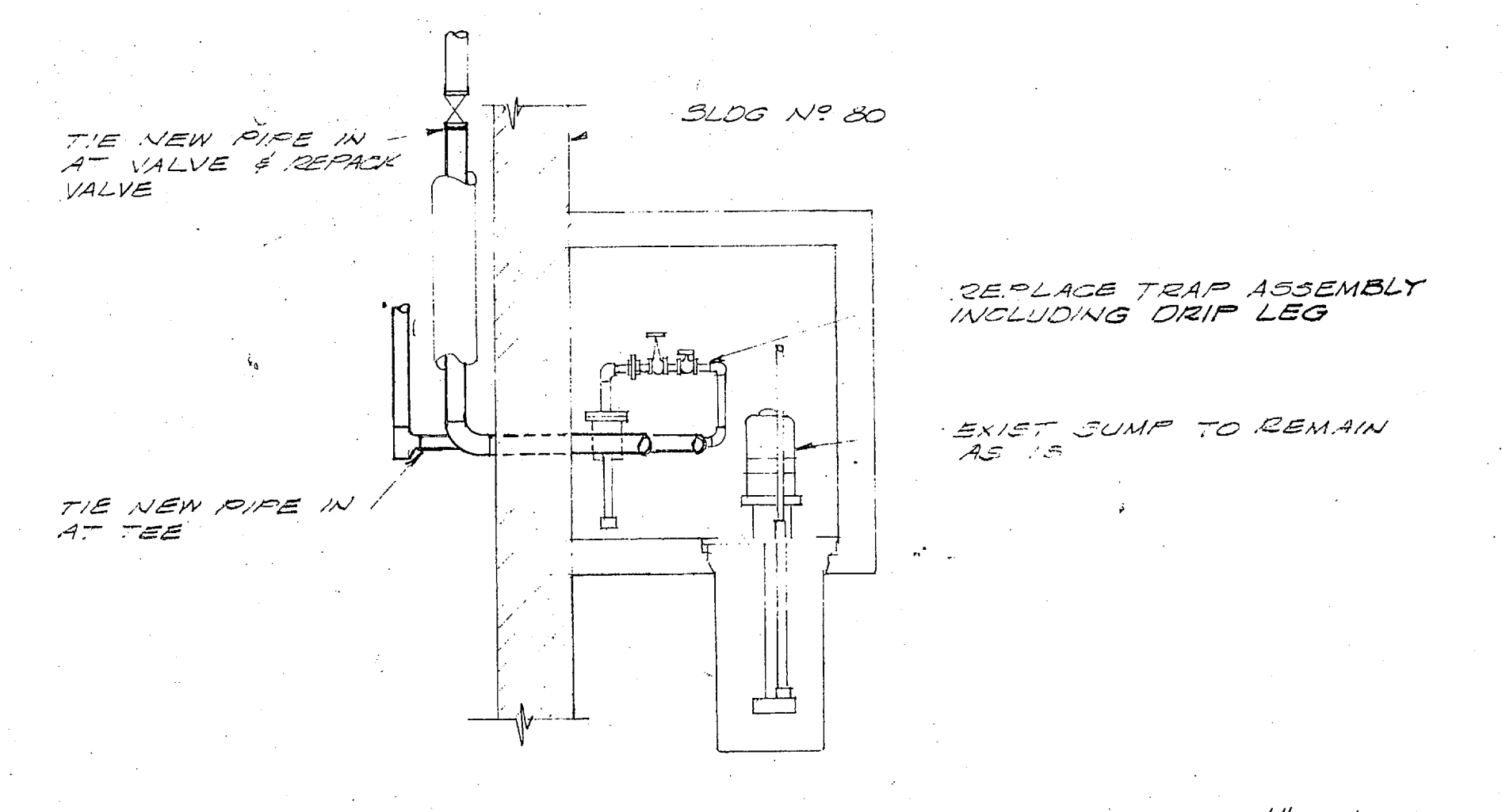
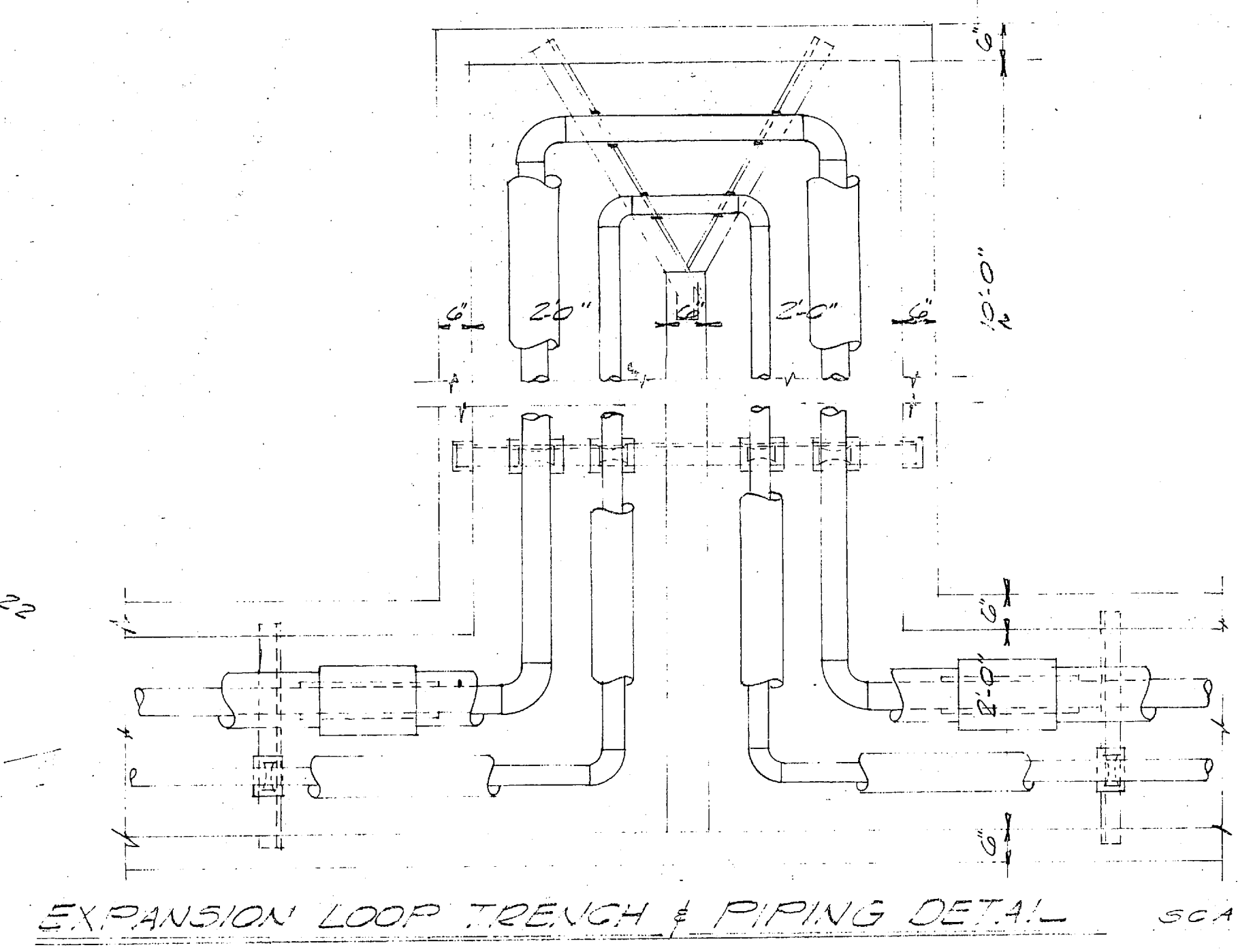
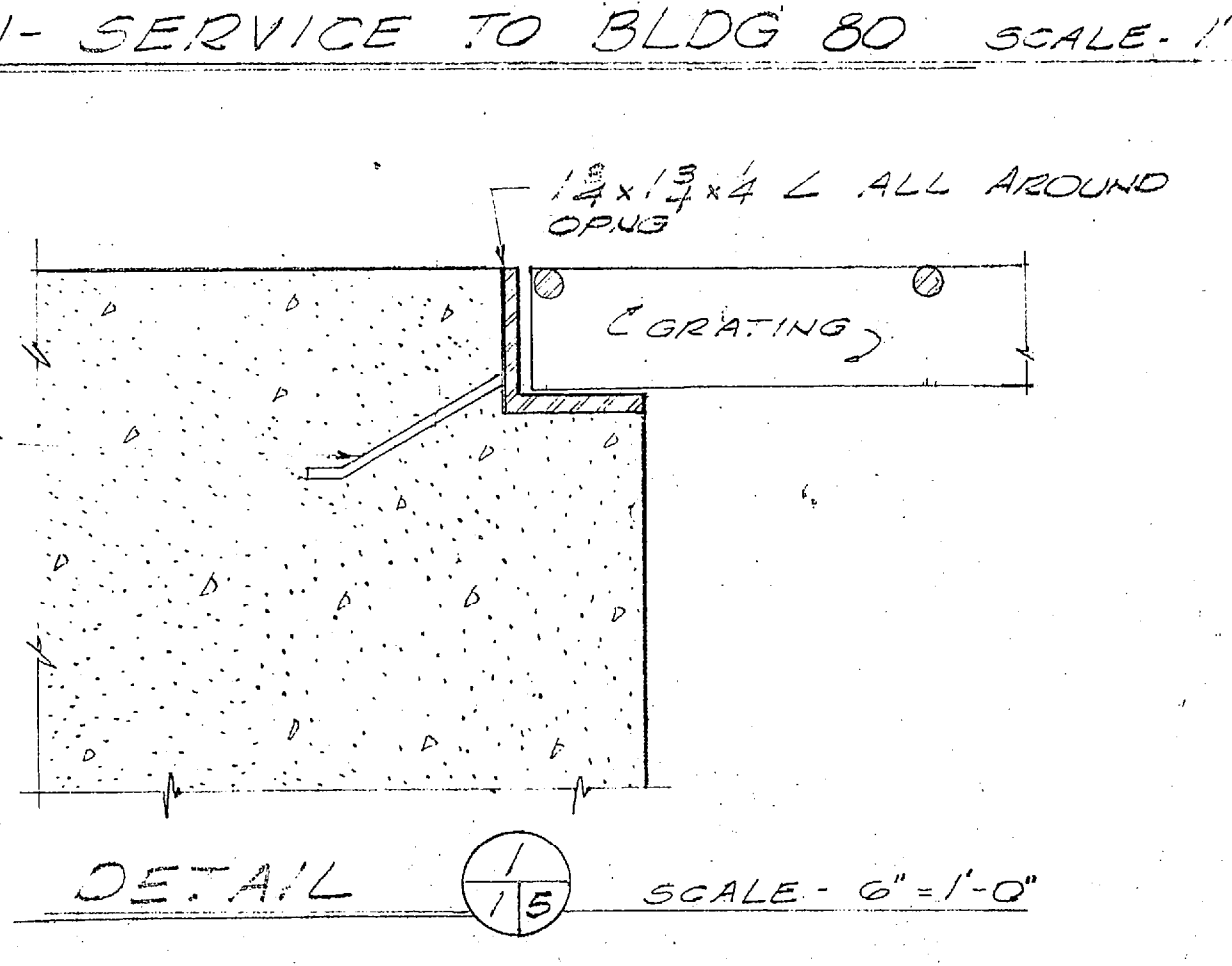
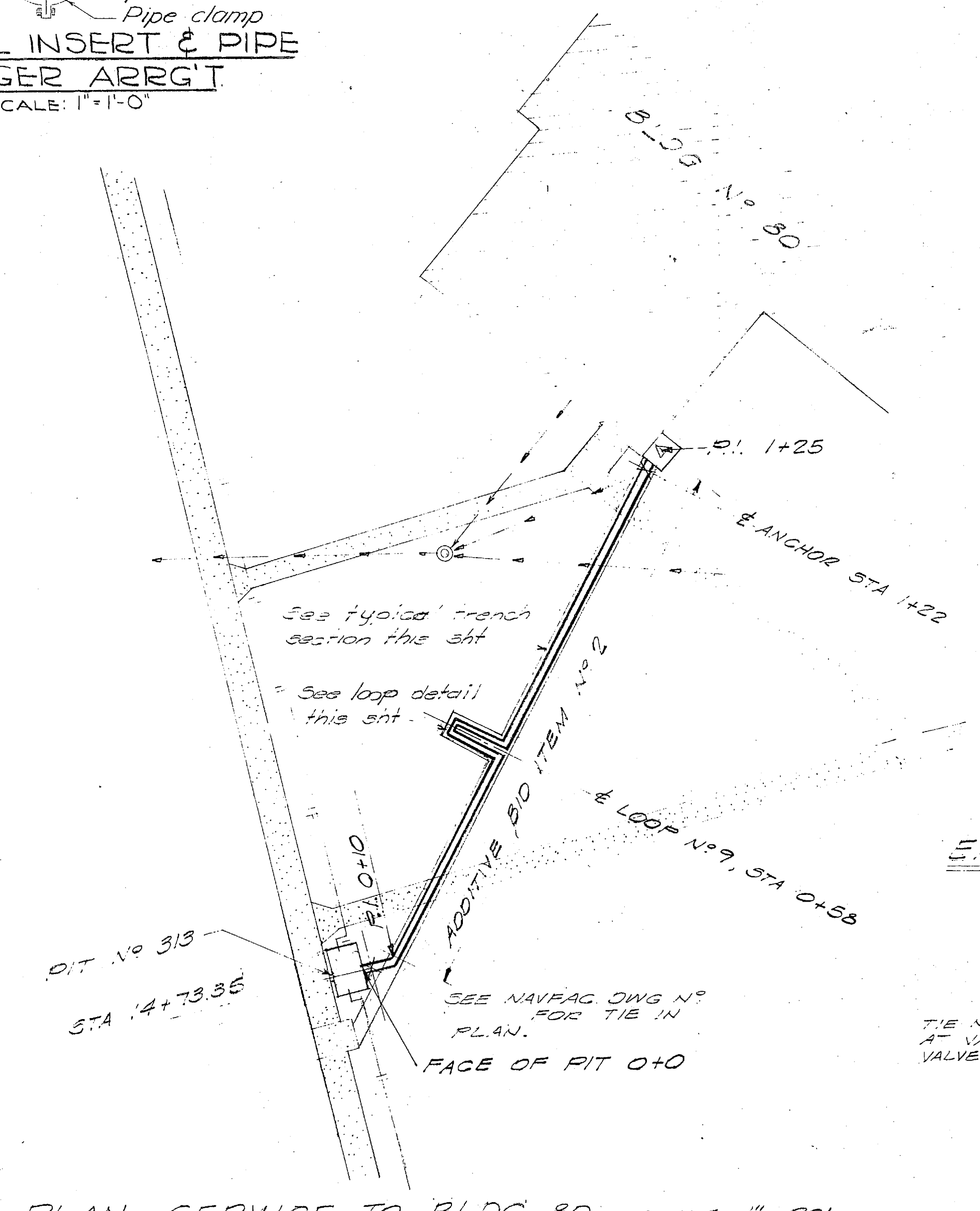
SCHEDULE OF PITS				
PIT NO	STATION	L	ELEV. TOP 'A'	NEW TOP ELEV.
315	5+58.12	11'	27.10	20.40
314	18+63.22	11'	25.00	18.30
313	14+77.10	9'	25.00	18.00



TYPICAL PLAN - NEW GRATING
 SCALE: 1/2" = 1'-0"

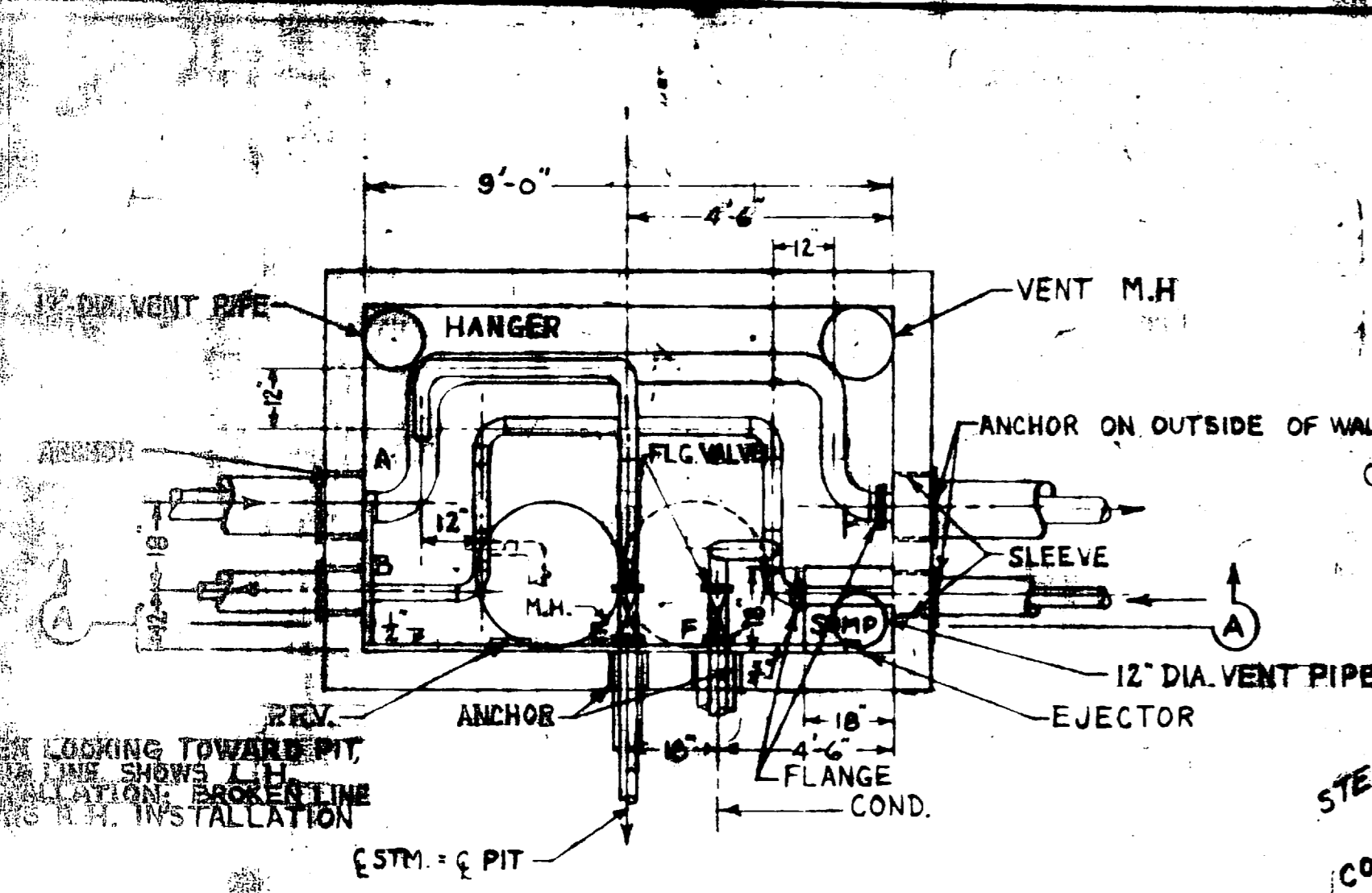


TYPICAL MODIFICATIONS TO EXIST PITS 313-314-315
 (CONSTITUTES ADDITIVE BID ITEM NO 1) SCALE: 1/2" = 1'-0"

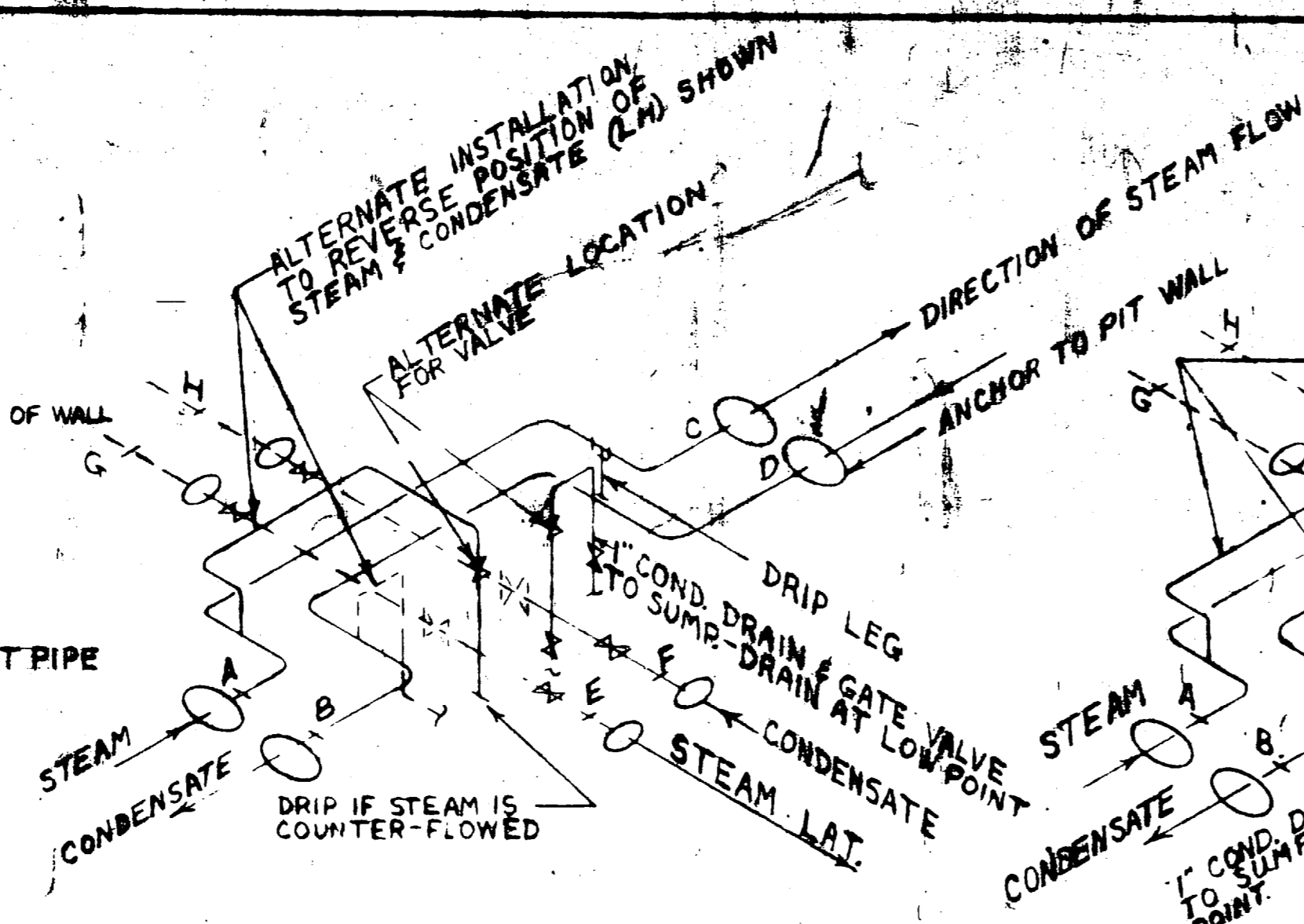


REVISIONS		
SYM	DESCRIPTION	DATE APPROVED

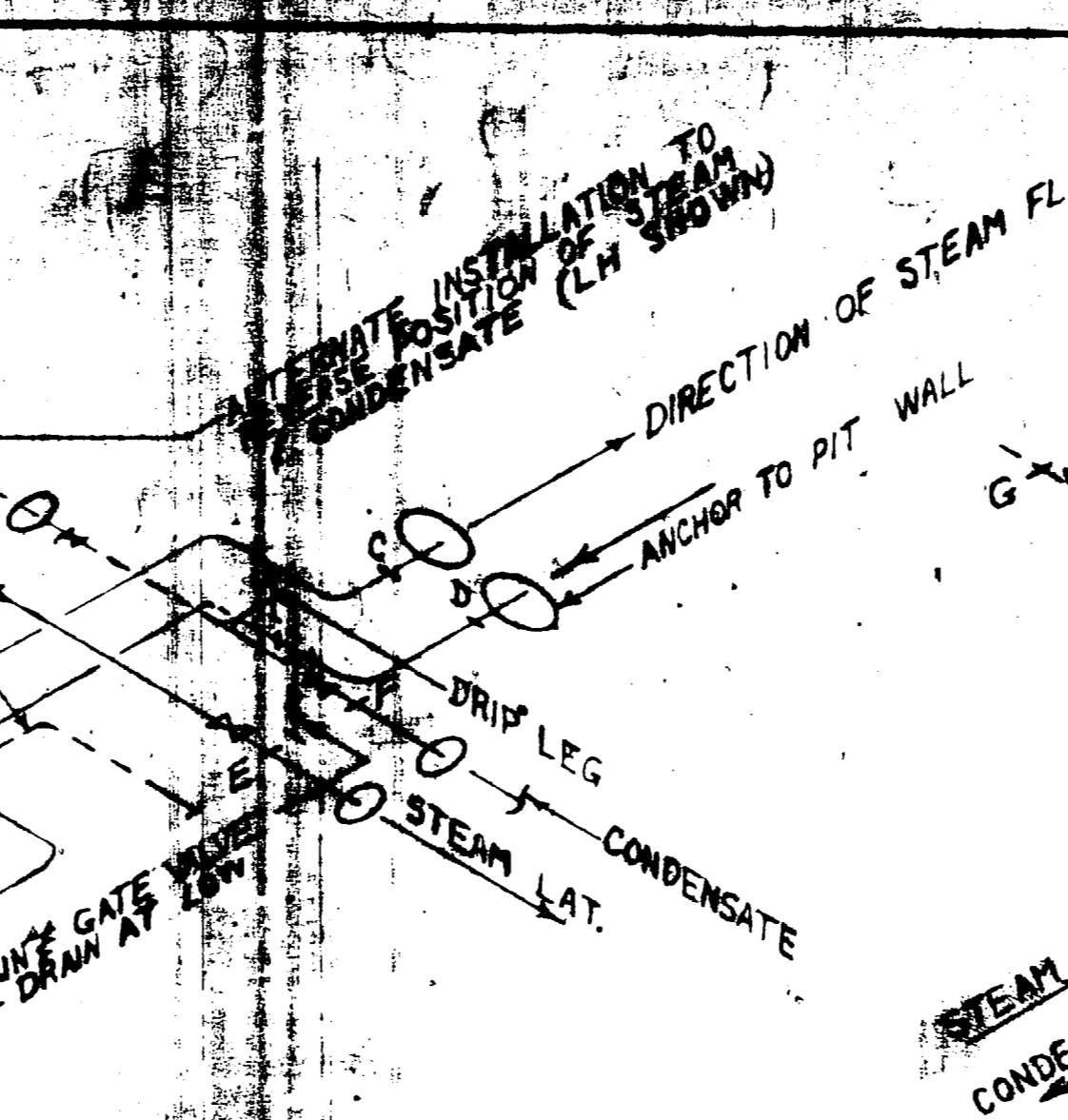
PUBLIC WORKS DEPT. MARINE CORPS BASE CAMP LEJEUNE, N.C.		DEPARTMENT OF THE NAVY NAVAL FACILITIES ENGINEERING COMMAND ATLANTIC DIVISION NORFOLK, VIRGINIA	
DES: [Signature] DR: [Signature] CHK: [Signature]		MARINE CORPS BASE, CAMP LEJEUNE, N.C.	
PROJ MGR: [Signature] ENG: [Signature]		REPLACE STEAM & CONDENSATE LINES, CENTRAL AREA - PHASE 2 (HQM 6274)	
APPROVED: [Signature] DATE: [Date]		PLAN & DETAILS	
SATISFACTORY TO: [Signature]		NAVFAC DRAWING NO. 401873	
COMMANDING GENERAL: [Signature]		SIZE: F 80091	
EFD: [Signature]		CONSTR CONTR NO. N62470-76-B-0702	
NO: [Signature]		SCALE(S) SHOWN: SPEC 05-76-0702	
APPROVED: [Signature] DATE: [Date]		SHEET 5 OF 6	
FOR COMMANDER, NAVFAC		LANTDIV DWS NO.	



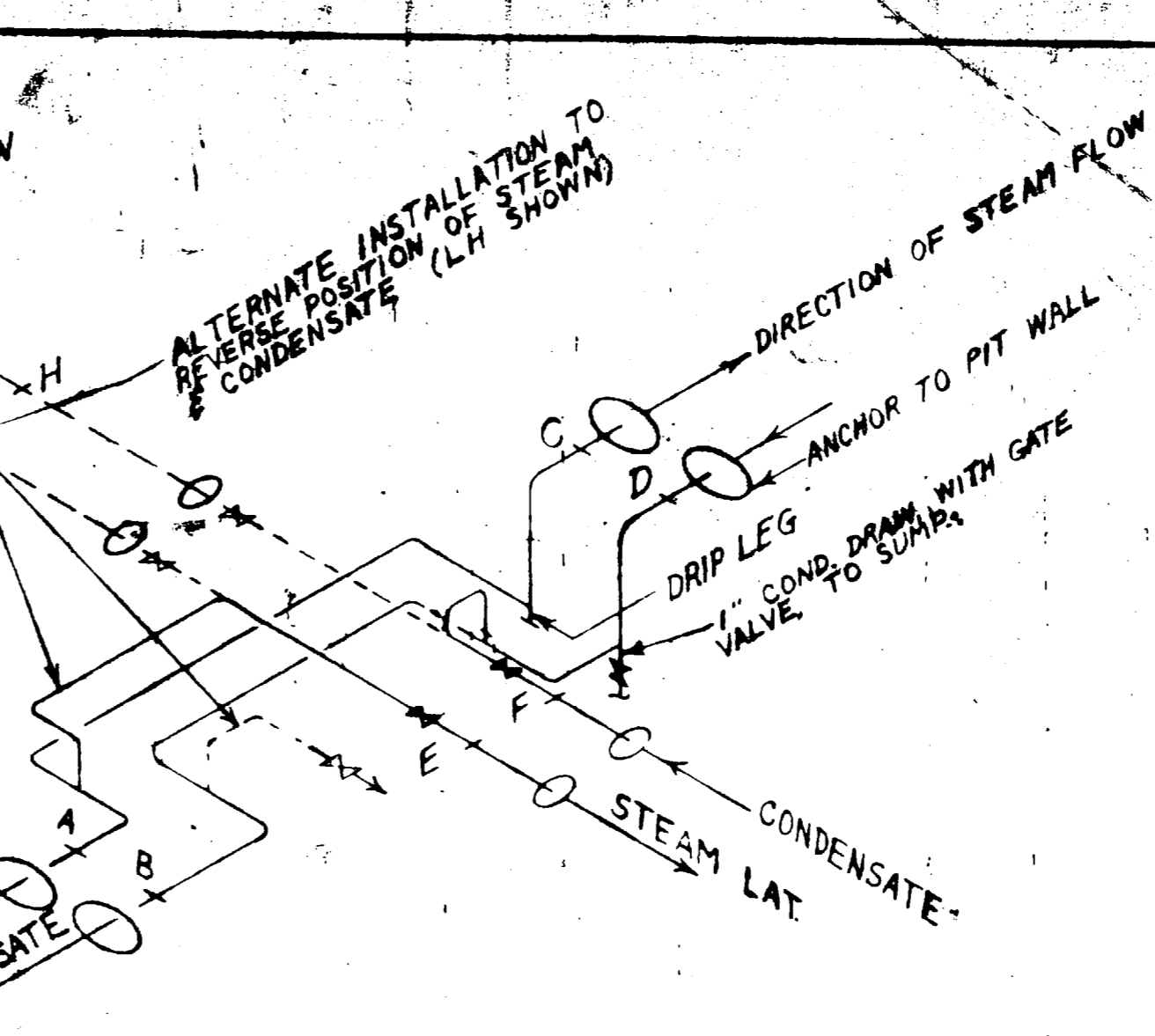
PLAN TYPICAL PIT
SCALE: 1/4" = 1'-0"



SCHEMATIC PIPING DIAGRAM
TYPICAL WHEN SERVICE BRANCHES ARE BELOW
TOP OF TAKE-OFF (L.H. SHOWN)
NO SCALE



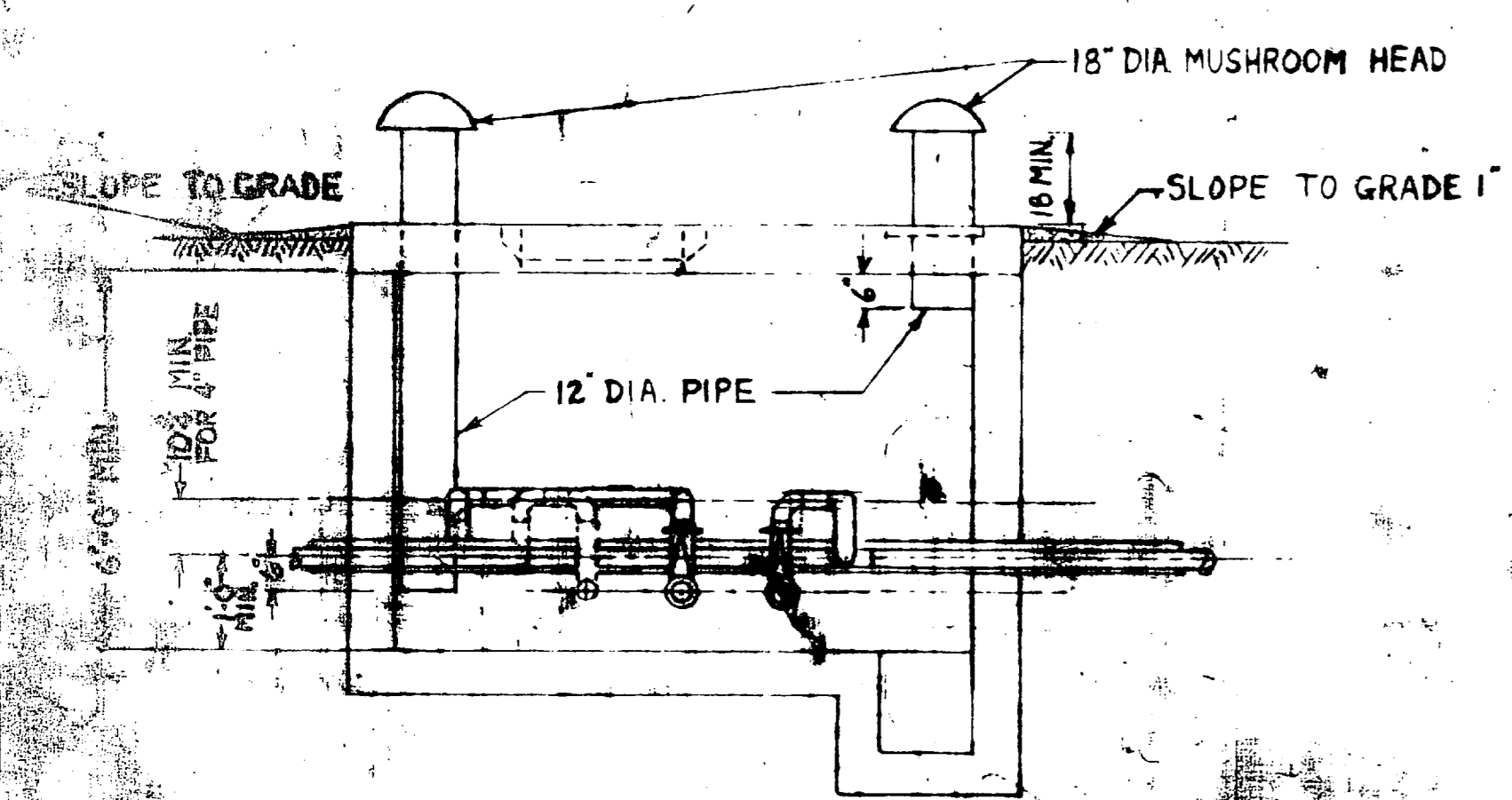
SCHEMATIC PIPING DIAGRAM IN PIT
SERVICE BRANCHES ABOVE SUPPLY LINE
(L.H. SHOWN)
NO SCALE



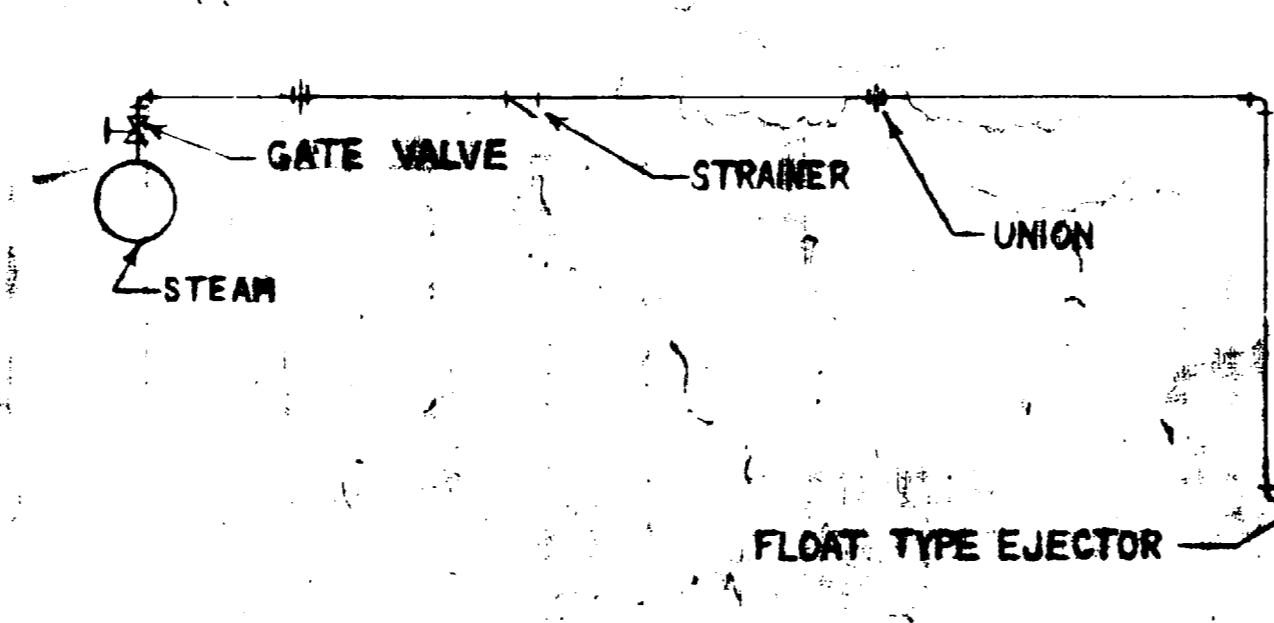
SCHEMATIC PIPING DIAGRAM IN PIT
ELEVATION OF MAIN SUPPLY LINE CHANGES
(L.H. SHOWN)
NO SCALE

E ELEVATIONS									
PIT NUMBER	A	B	C	D	E	F	G	H	REMARKS**
313	1900	*	2100	*	2210	*			RIGHT HAND
314	2000	*	2150	*	2225	*			RIGHT HAND
315	2332	*	2450	*	2250	*	2450		RIGHT HAND

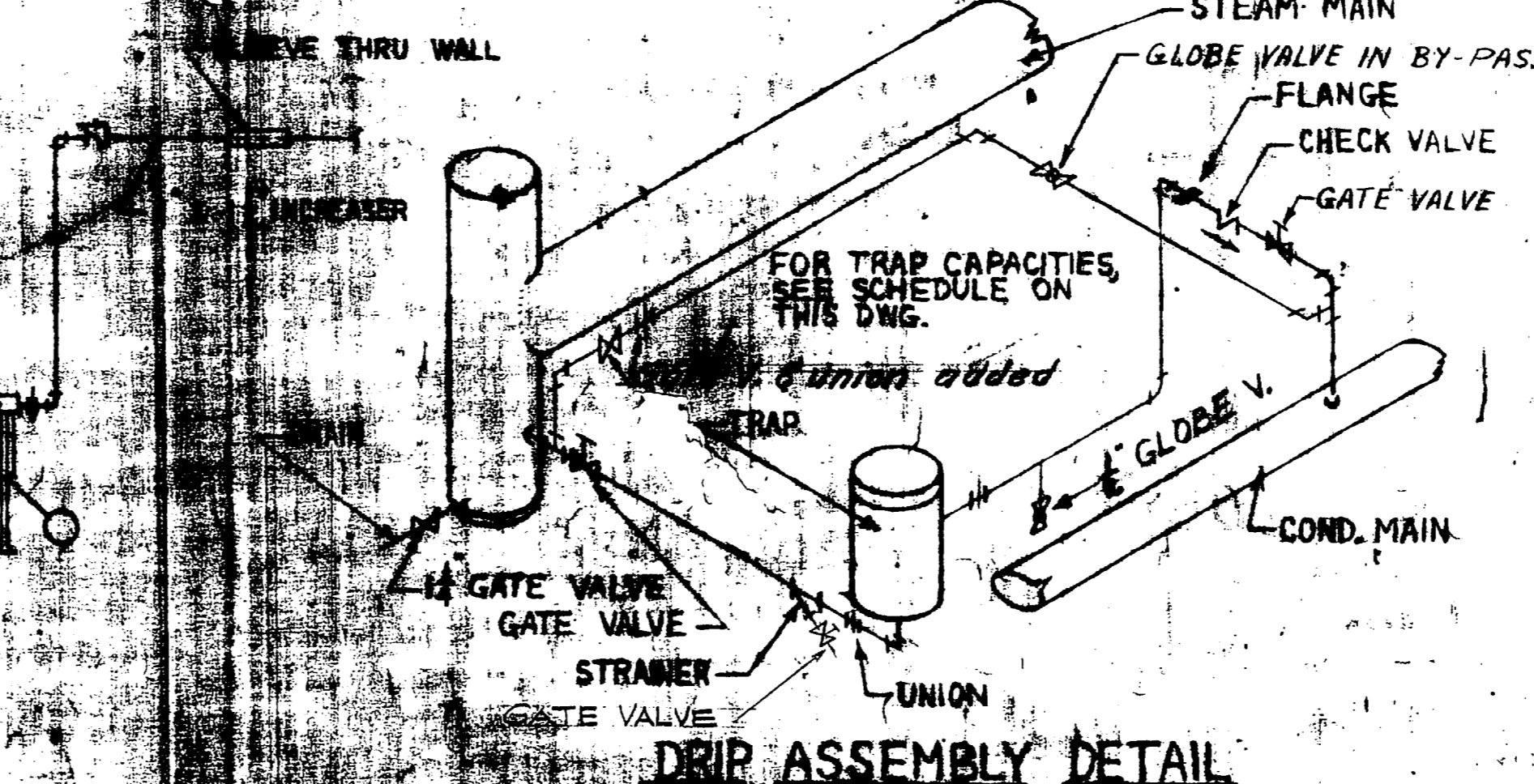
* BOTTOM OF CONDENSATE CONDUIT TO BE SAME ELEV AS BOTTOM OF STEAM CONDUIT.
** REFERENCE TO SCHEMATIC PIPING DIAGRAM IN DETERMINING "HAND" OF STM LAT INSTALLATION.



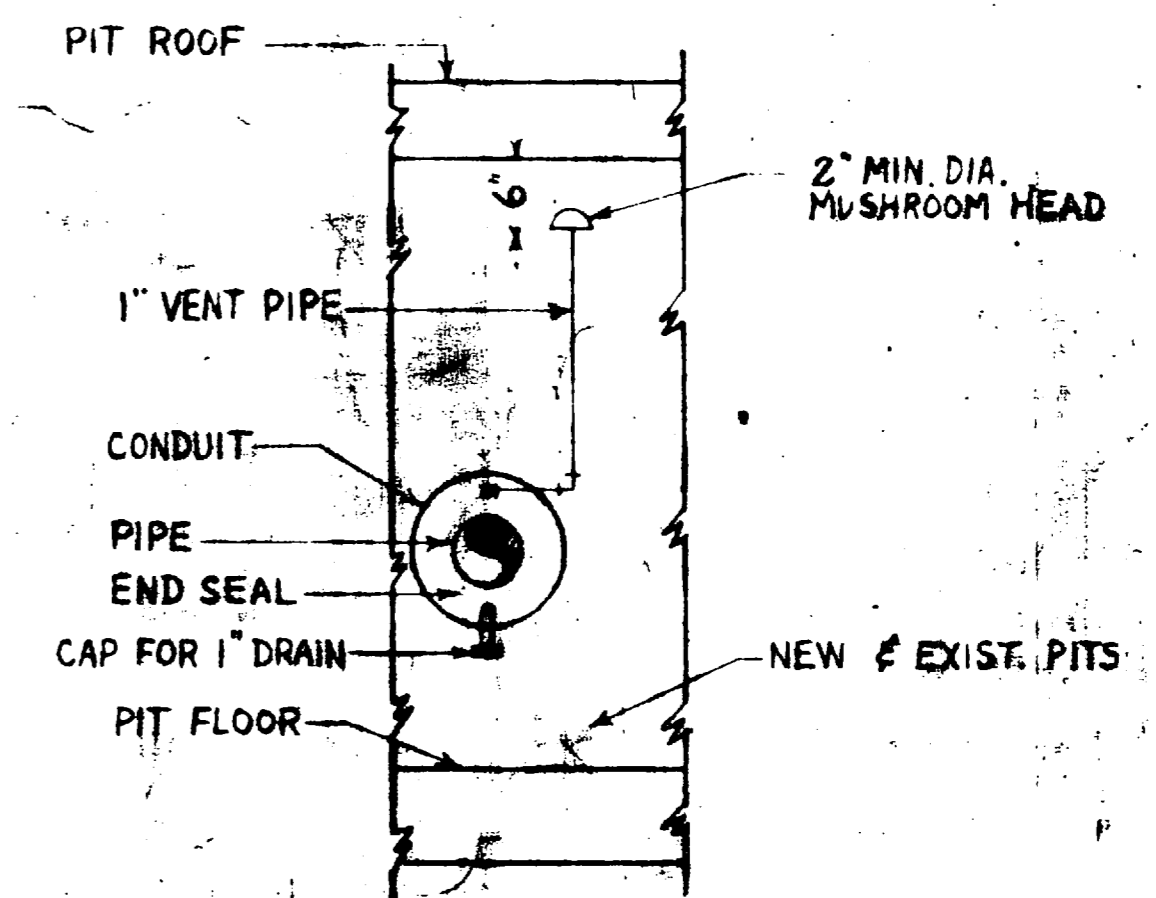
SECTION A-A
SCALE: 1/4" = 1'-0"



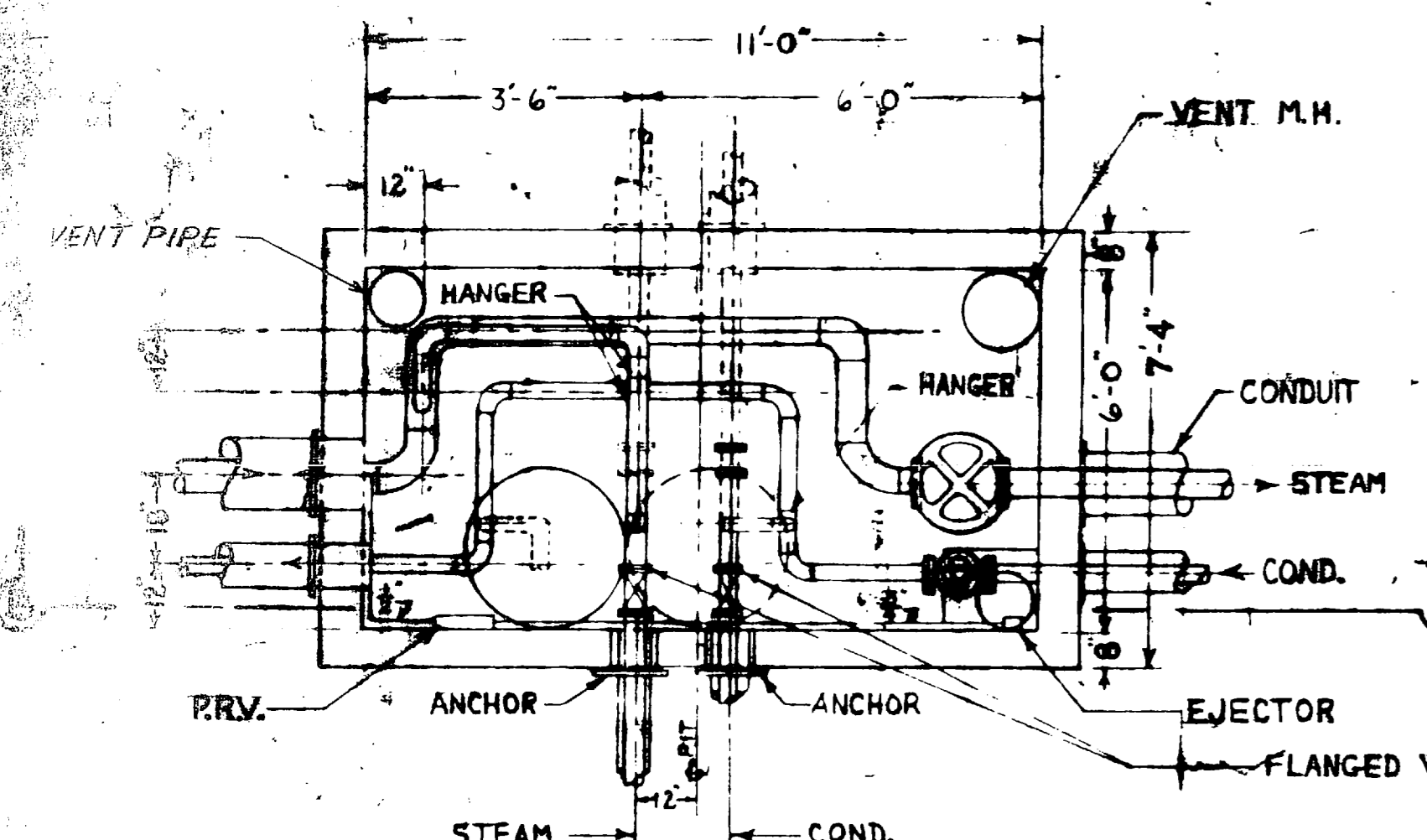
EJECTOR DETAIL
NO SCALE



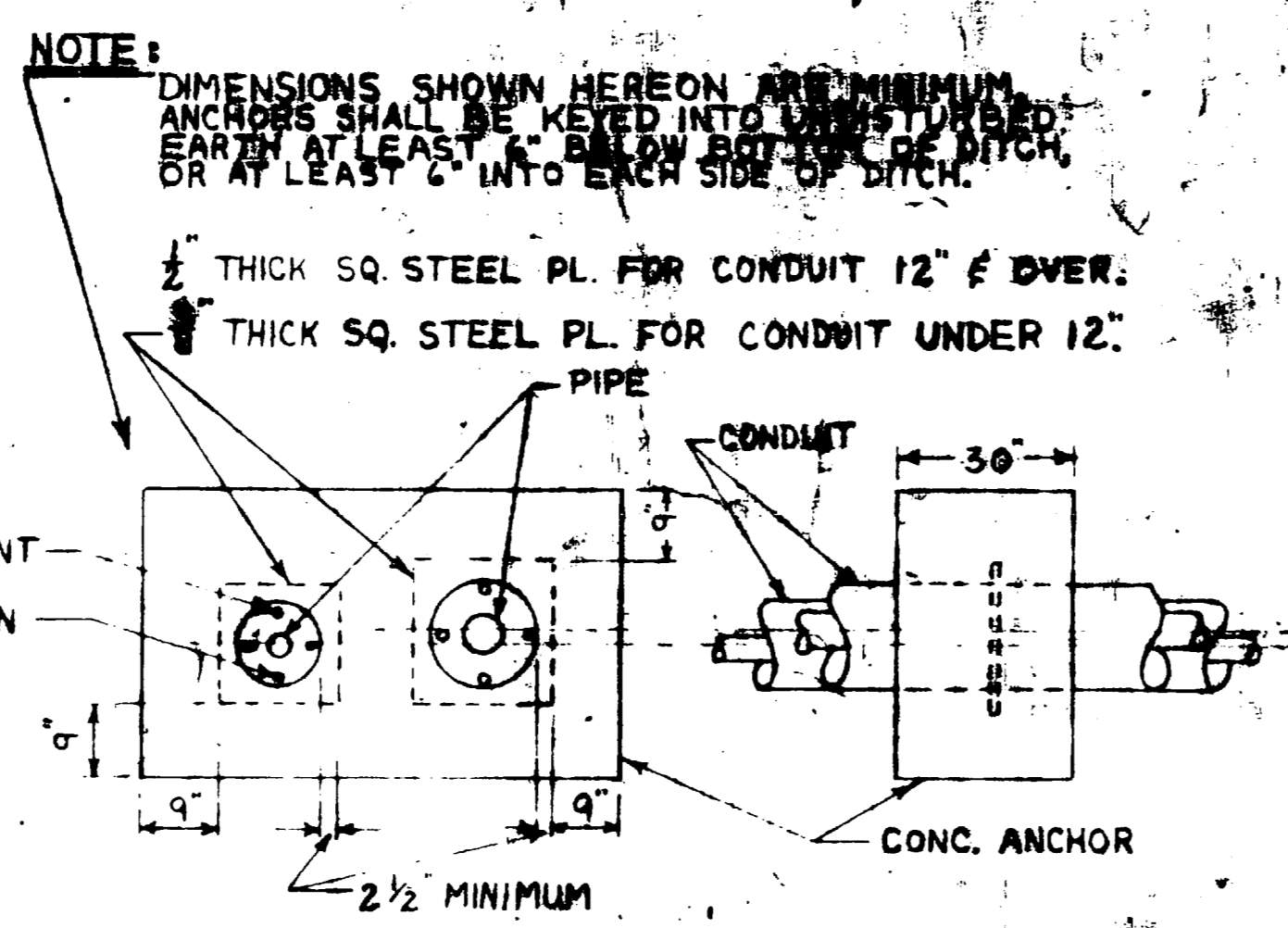
DRAIN ASSEMBLY DETAIL
NO SCALE



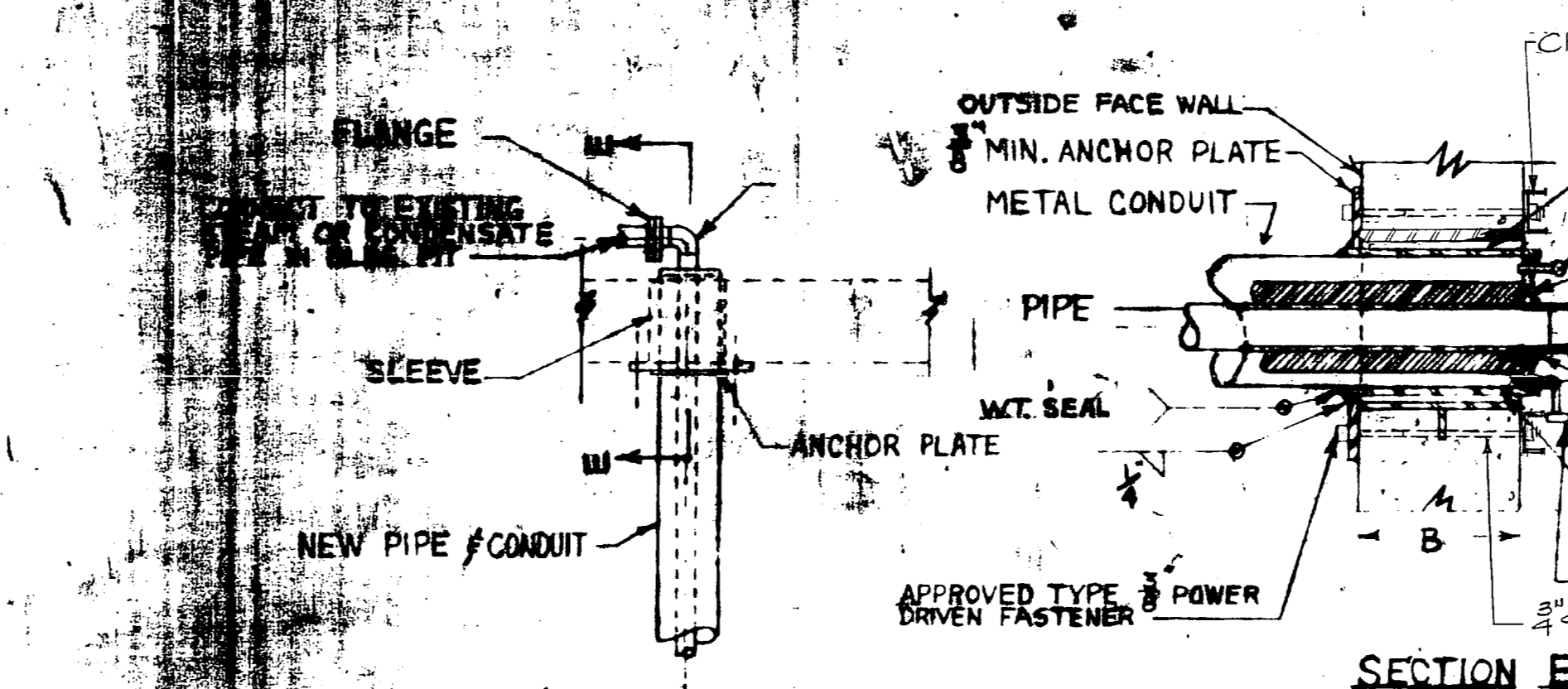
CONDUIT DRAIN & VENT DETAIL
NO SCALE



PLAN TYPICAL VALVE PIT
SCALE: 1/4" = 1'-0"

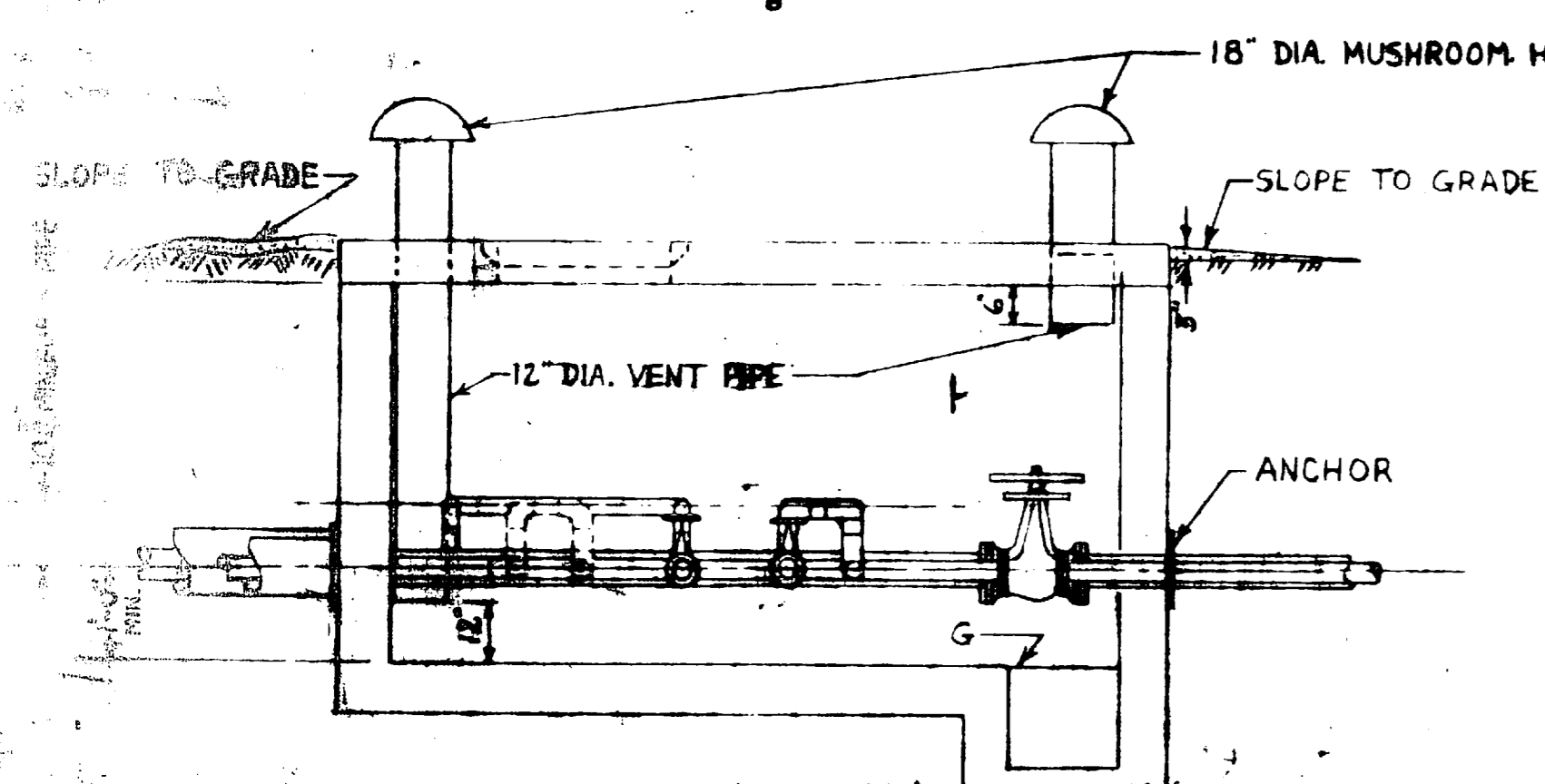


CONCRETE ANCHOR DETAIL
NO SCALE



DETAIL OF CONNECTION OF STEAM & CONDENSATE PIPING AT EXISTING BUILDING PITS
NOT TO SCALE

TRAP SCHEDULE			
PIT NO	CONDENSATE LBS / HR	PRESSURE DIMENSIONAL	REMARKS
313	2000	75#	
314	3000	75#	
315	1050	75#	
315	1200	75#	LAT TO BLDG 9



SECTION B-B
SCALE: 1/4" = 1'-0"



REVISION		APPROVED	
SYM	DESCRIPTION	DATE	APPROVED

PUBLIC WORKS DEPT.
MARINE CORPS BASE
CAMP LEJEUNE, N.C.

DEPARTMENT OF THE NAVY
NAVAL FACILITIES ENGINEERING COMMAND
ATLANTIC DIVISION
MARINE CORPS BASE CAMP LEJEUNE, N.C.

REPLACE STEAM & CONDENSATE LINES, CENTRAL AREA-PHASE 2 (HQMC 6274)
DETAILS

NAVYAC DRAWING NO: 4011874
CONSTR CONTR NO: N62470-76-B-0702
SCALE AS SHOWN SPEC 05-76-0702 SHEET 6 OF 6

To: Base Maint