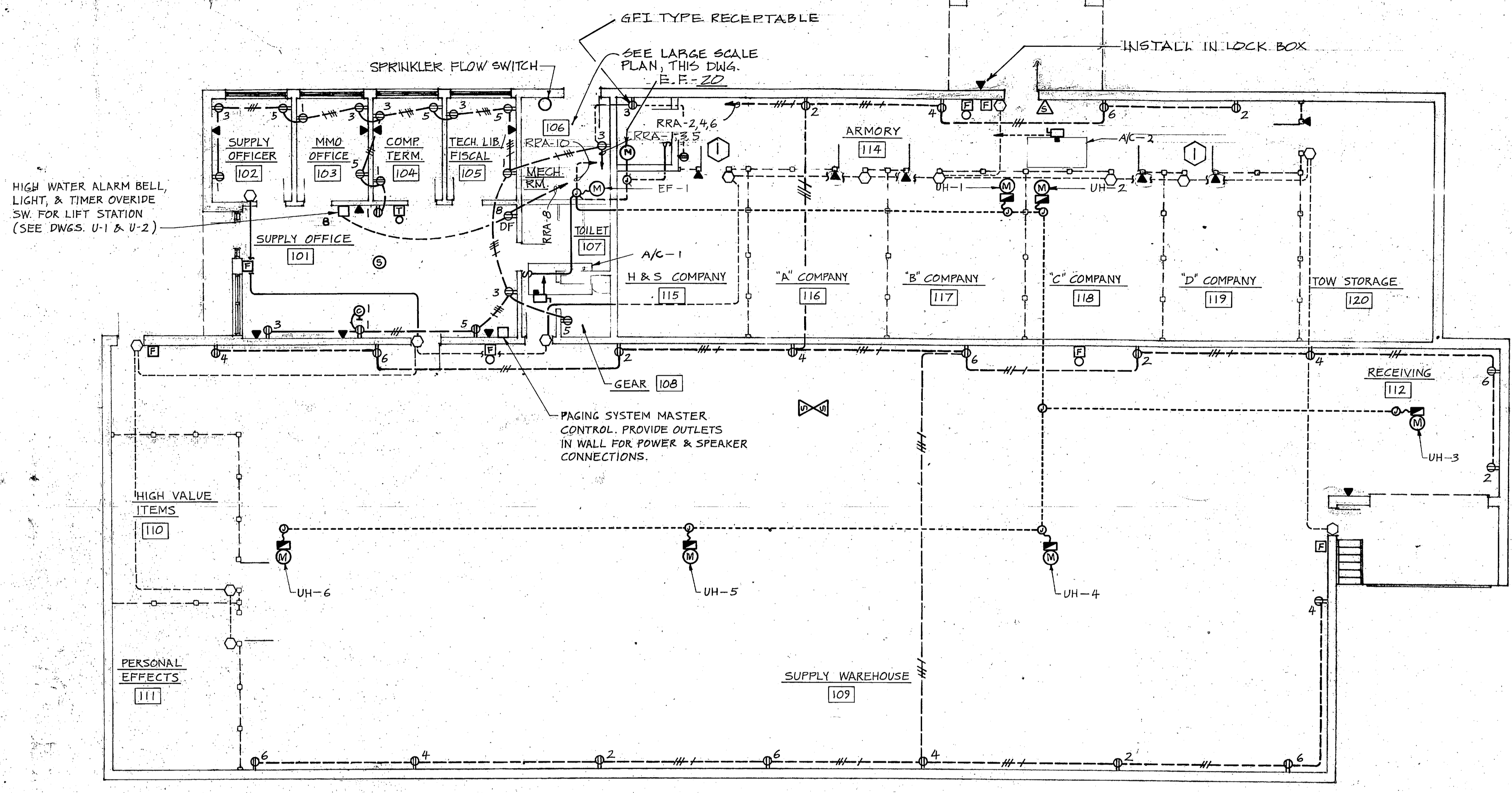
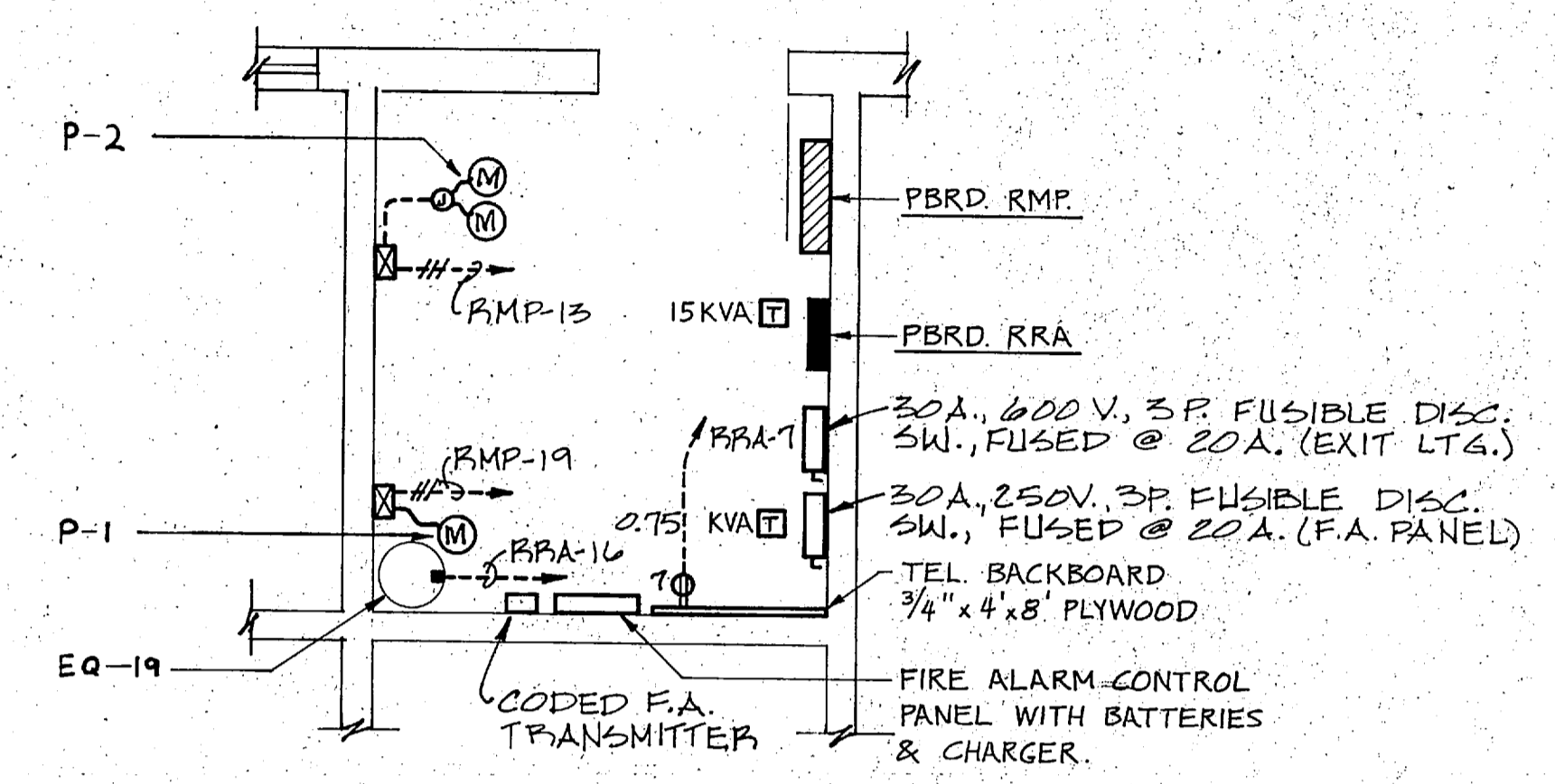


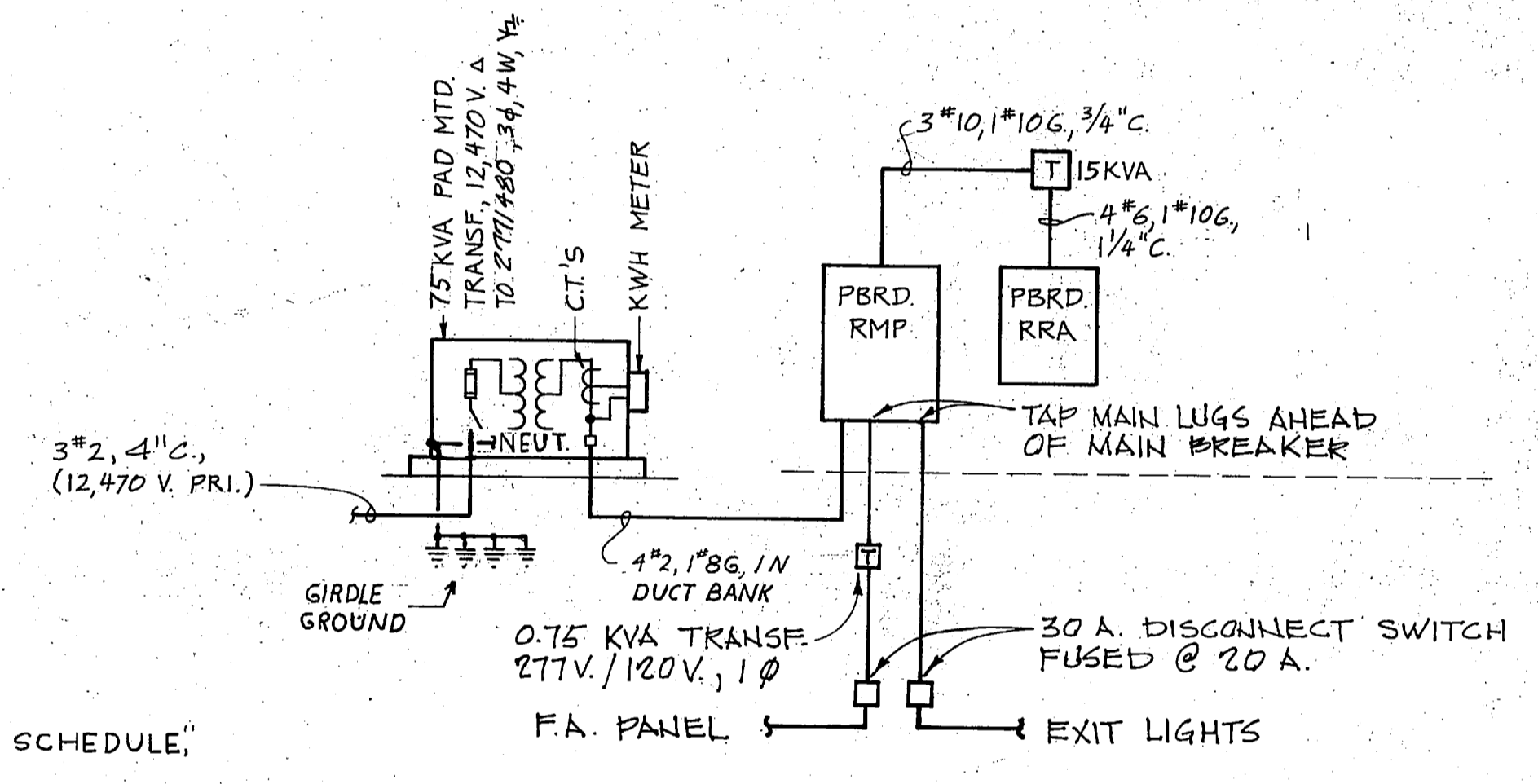
REVISIONS			
NO.	DESCRIPTION	DATE	APPROVED
①	ARMORY REVISIONS - READY ISSUE BLDG.	12/10/52	J.B.
②	REVISED AS BUILT	5/23/54	M.H.



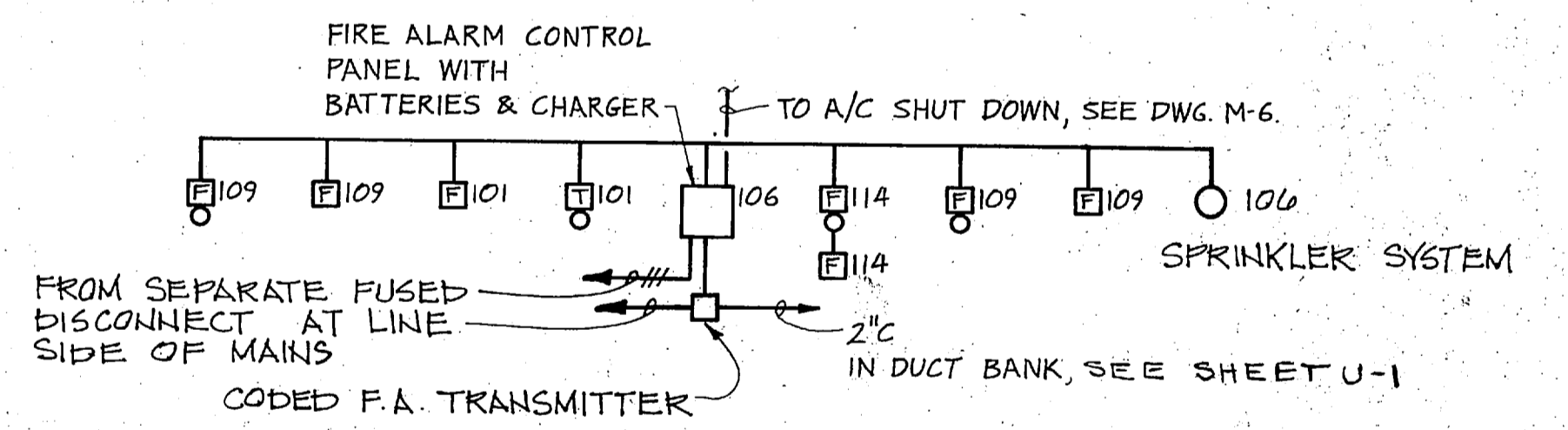
POWER AND COMM. PLAN 1/8" = 1'-0"



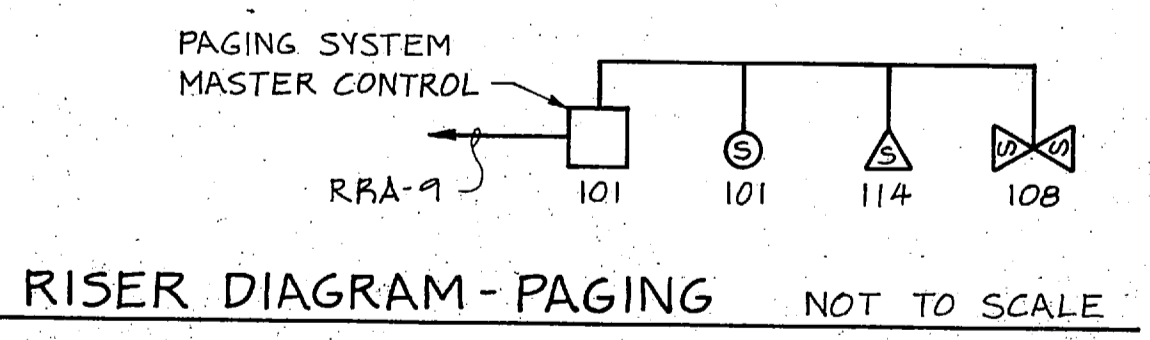
MECH. RM. PART PLAN 1/4" = 1'-0"



RISER DIAGRAM - POWER NOT TO SCALE



RISER DIAGRAM - FIRE ALARM NOT TO SCALE



RISER DIAGRAM - PAGING NOT TO SCALE

PANELBOARD: RMP
MOUNTING: SURFACE
MAINS: 277/480V, 3φ, 4W, 100A, M.B., CL 13b

CONNECTED	CIRC. BRKR. CL. SIZE NO.	LOAD / φ (V.A.)	CIRC. BRKR. NO. SIZE CL.			CONNECTED
			A	B	C	
LTG.	12c 20A 1	2520	-	-	20A 12c	LTG.
	3	2800	-	-	2 IP	
LTG.	3	2520	-	-	2 IP	LTG.
	3	3055	-	-	4 IP	
SPARE	5	-	2800	-	20A 12c	LTG.: OUTSIDE
	5	-	1440	-	6 IP	
SPARE	7	2800	-	-	25A 13b	A/C UNIT #1 (A/C-1)
	7	3750	-	-	8 3P	
SPARE	9	2800	-	-	-	-
	9	3750	-	-	-	-
SPARE	12c 20A 11	-	2800	-	-	-
	11	-	3570	-	-	-
DUPLX CONDENSATE PUMP (P-2)	15b 20A 13	1920	-	-	15A 13b	A/C UNIT #2 (A/C-2)
	13	2340	-	-	14 3P	
		1920	-	-	-	-
		2340	-	-	-	-
		1920	-	-	-	-
		2340	-	-	-	-
HOT WATER PUMP (P-1)	15b 20A 19	267	-	-	30A 13b	15 KVA TRANSF FOR PBRD. RRA
	3P	5000	-	-	20 3P	
		267	-	-	-	-
		5000	-	-	-	-
		267	-	-	-	-
		5000	-	-	-	-
PUMP STATION (EQ-20)	15b 20A 25	1920	-	-	13b	SPACE
	3P	3500	-	-	26 3P	
		1920	-	-	-	-
		3500	-	-	-	-
		1920	-	-	-	-
		3500	-	-	-	-

TOTAL LOAD : 26817 27072 25557 74446 800 = 100A.
DEMAND LOAD : 74446 x 0.70 = 52112 + 800 = 70A.

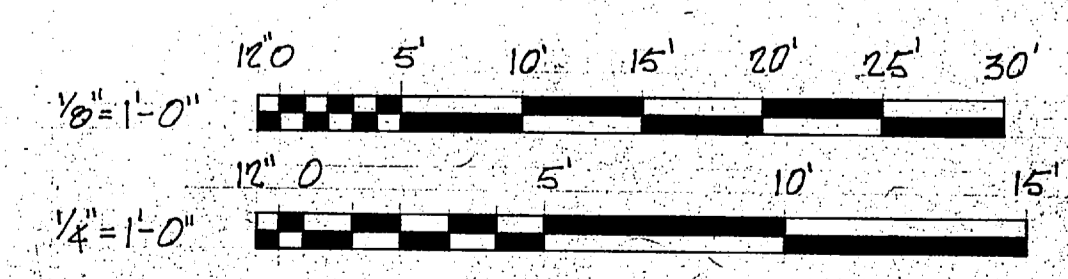
PANELBOARD: RRA
MOUNTING: SURFACE
MAINS: 120/208V, 3φ, 4W, 60A, M.B., CL 12b

CONNECTED	CIRC. BRKR. CL. SIZE NO.	LOAD / φ (V.A.)	CIRC. BRKR. NO. SIZE CL.			CONNECTED
			A	B	C	
7R., 1 CLOCK	12a 20A 1	1310	-	-	20A 12a	7R.
	1P	1260	-	-	2 IP	
7R.	3	1260	-	-	2 IP	7R.
	3	1260	-	-	4 IP	
6R.	5	-	1080	-	7R.	6R.
	5	-	1260	-	6 IP	
TEL. SYS.	20A 7	1200	-	-	-	1 P.F. HIGH WATER ALARM BELL & LT.
	1P	700	-	-	8	EF-1, UH-1-6
PAGING SYS.	9	1200	-	-	-	-
	1P	1570	-	-	10	-
SPARE	11	-	1200	-	-	SPARE
	1P	-	1200	-	12	-
SPACE	13	1200	-	-	20A 1P	SPACE
	1P	1200	-	-	14	-
SPACE	15	1200	-	-	20A 12a	SPACE
	1P	1500	-	-	16 2P	WATER HEATER (EQ-18)
SPACE	12a 1P	17	-	-	1200	SPACE
	1P	-	1500	-	-	-

TOTAL LOAD : 6870 7990 7440 = 22300 + 360 = 59 A.
DEMAND LOAD : 21,330 x 0.70 = 14,831 + 360 = 41A.

NOTES:
1. FOR "LEGEND" AND "LIGHTING FIXTURE SCHEDULE" SEE DWG. E-1.

GRAPHIC SCALES



RECORD DRAWING
LETTER DATED MAY 29 1954

E-7

MBTB ARCHITECTS & ENGINEERS
200 W. BROAD ST. RICHMOND, VA. 23220

DEPARTMENT OF THE NAVY
NAVAL FACILITIES ENGINEERING COMMAND
ATLANTIC DIVISION
NAVAL STATION
NORFOLK, VIRGINIA

MBF CAMP LEJEUNE, N.C.
TANK/AUTO MAINTENANCE FACILITY
POWER AND COMM. PLANS AND DETAILS
READY ISSUE STORAGE BLDG.

APPROVED: [Signature] DATE: [Blank]
OFFICER IN CHARGE: [Blank] NAVFAC DRAWING NO. 4061952
F 80091 CONTR. CONTR. NO. N62470-79-B-9241
SCALE: AS SHOWN SPEC. 05-79-9241 SHEET 13 OF 82



