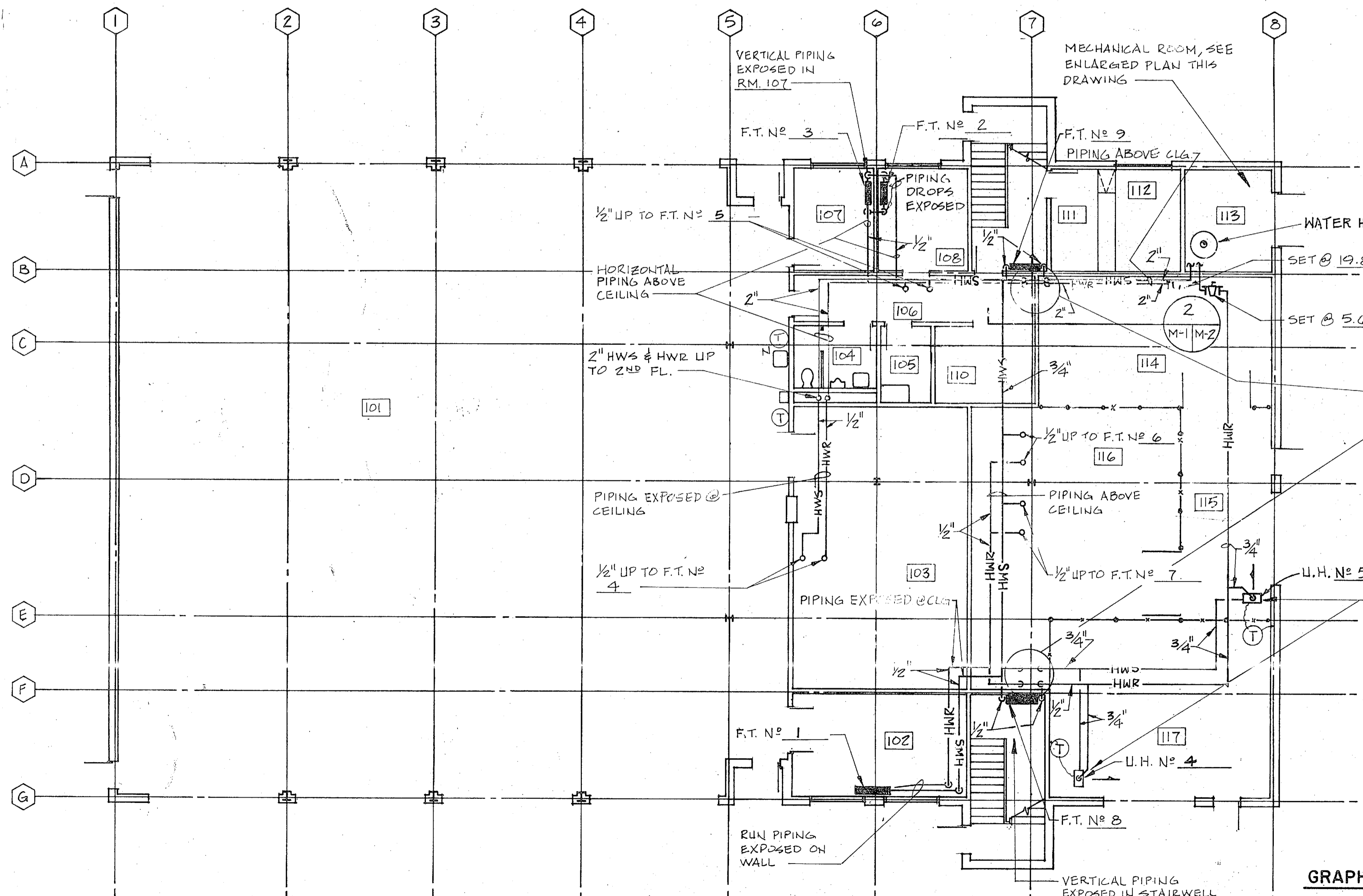
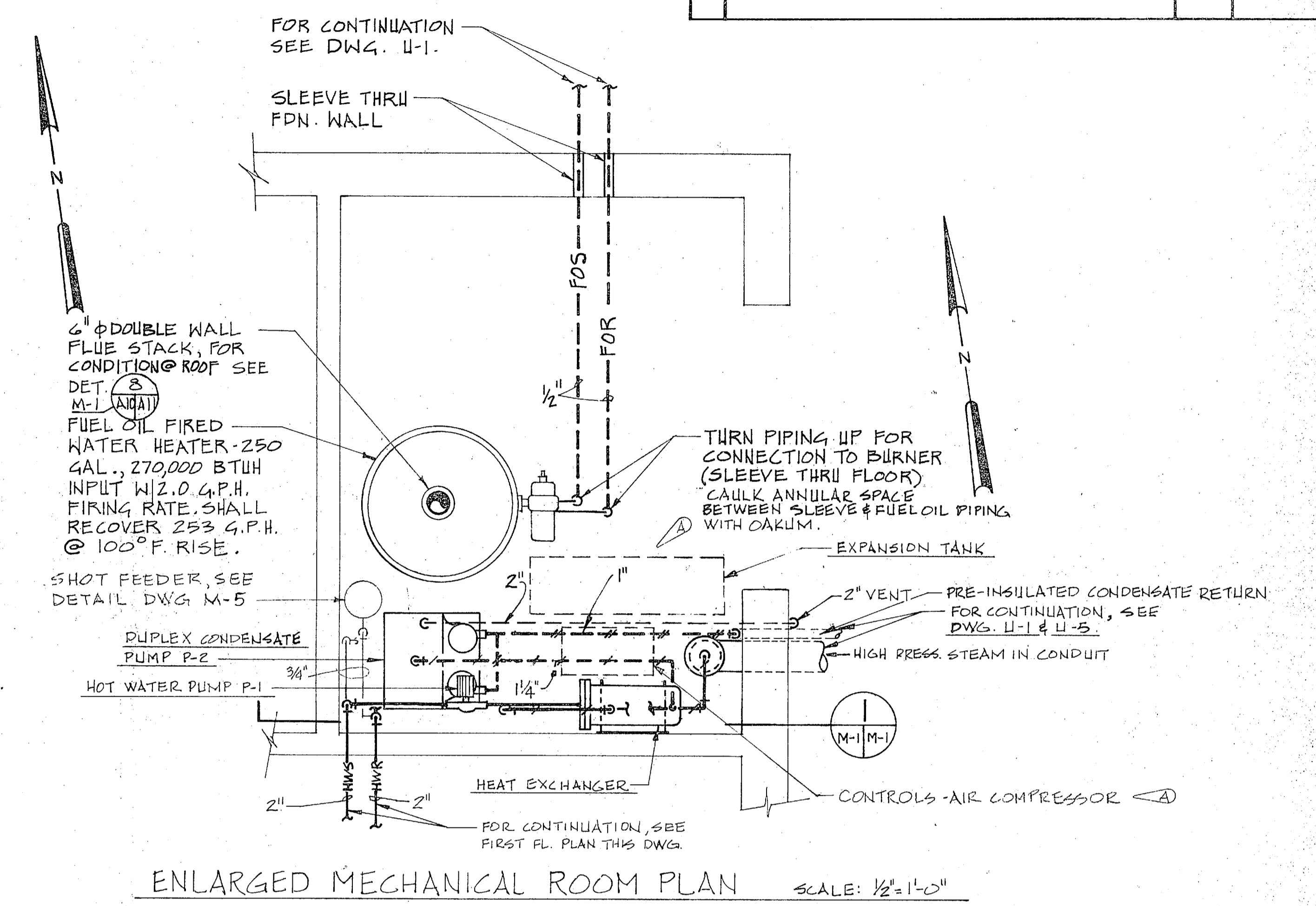
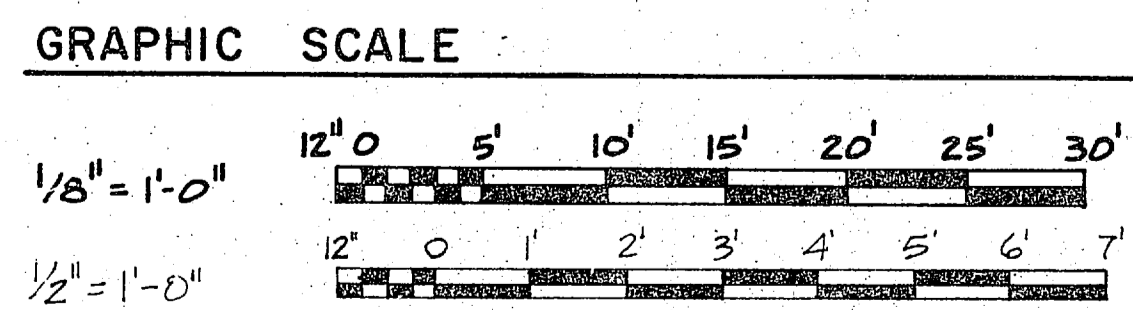


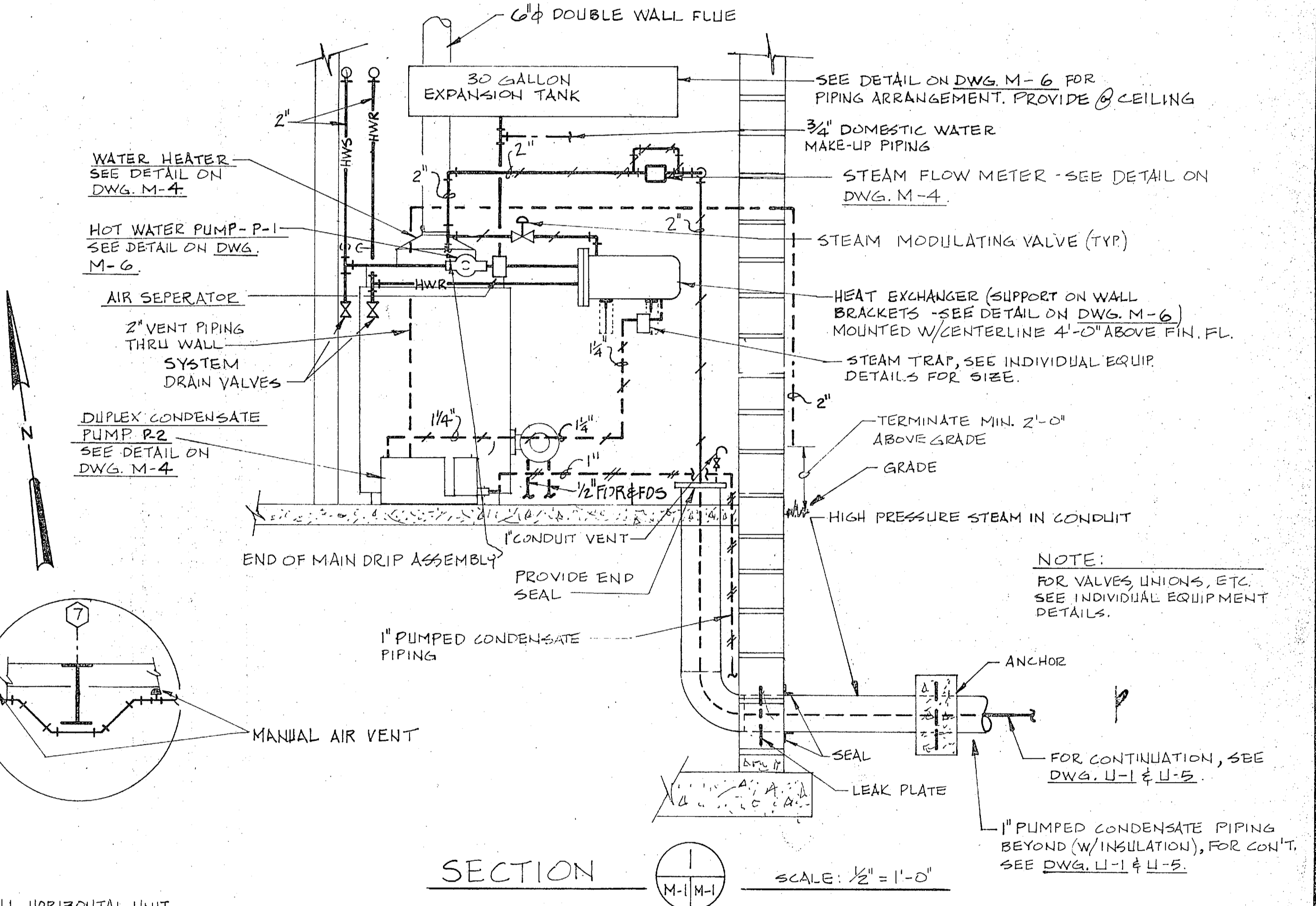
SECOND FLOOR PLAN SCALE: 1/8" = 1'-0"



FIRST FLOOR PLAN SCALE: 1/8" = 1'-0"



ENLARGED MECHANICAL ROOM PLAN SCALE: 1/2" = 1'-0"

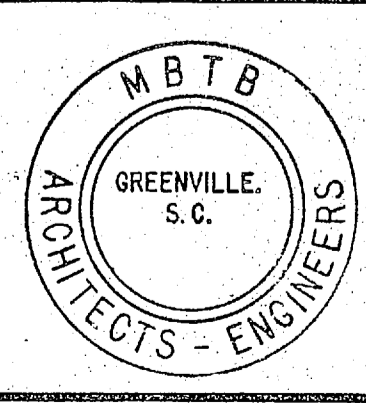
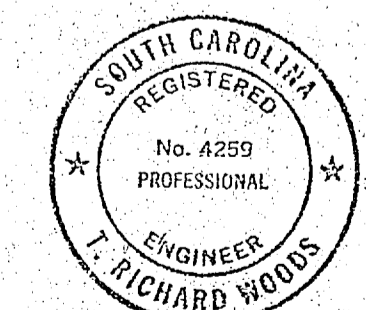


SECTION SCALE: 1/2" = 1'-0"

NOTES:

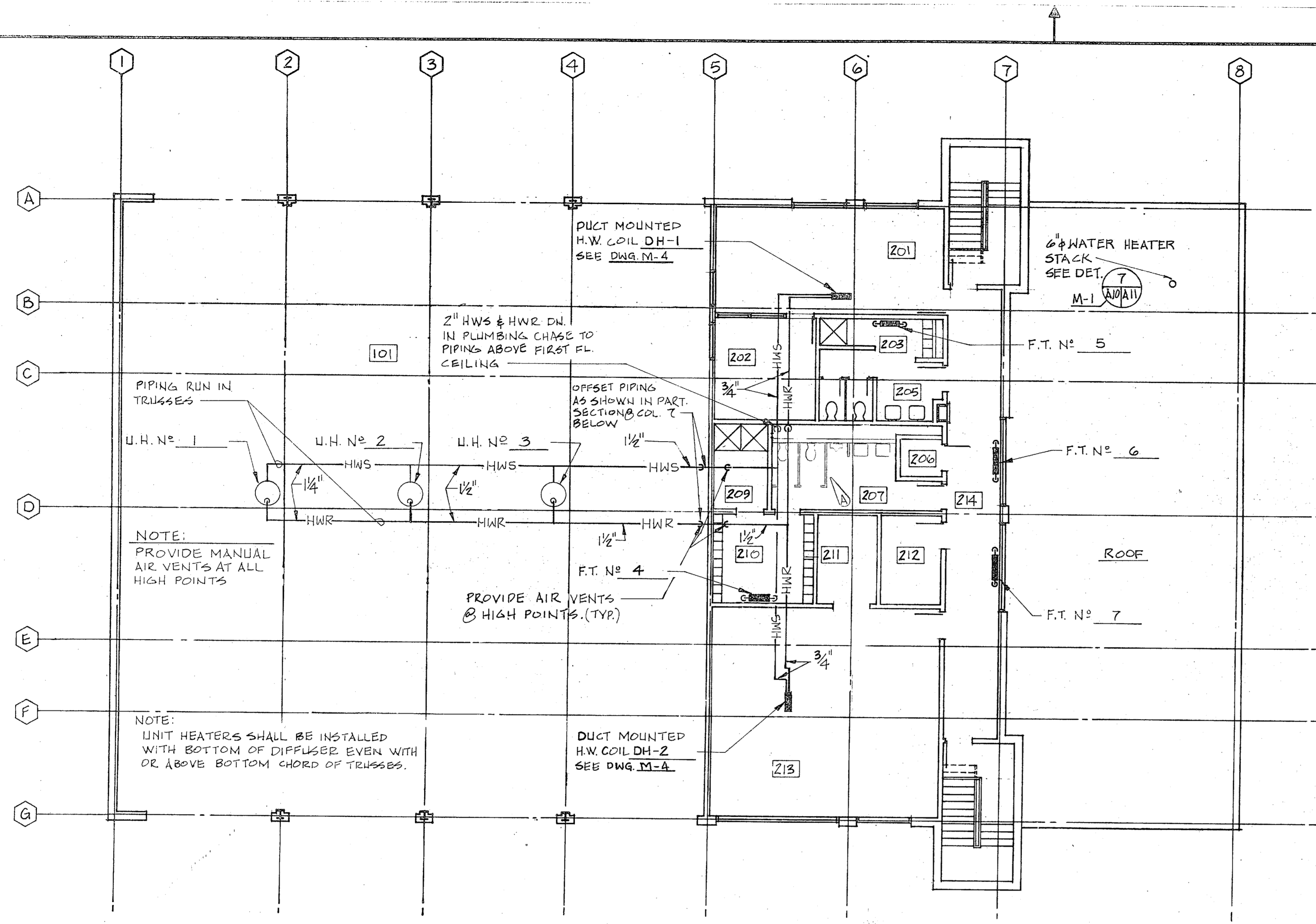
1. ALL FINNED TUBE RADIATION SHALL BE INSTALLED WITH BOTTOM OF COVER 1'-0" ABOVE FIN. FL. EXCEPT IN ROOMS 107 AND 108 IN WHICH FINNED TUBE SHALL BE INSTALLED INVERTED WITH COVER 6" BELOW CEILING IN RM. 107 & TIGHT AGAINST 10" ABOVE GRILLE APPROX. 2'-0" TO BOTTOM IN RM. 108.

2. FOR MECHANICAL LEGEND, SEE DWG. M-2.

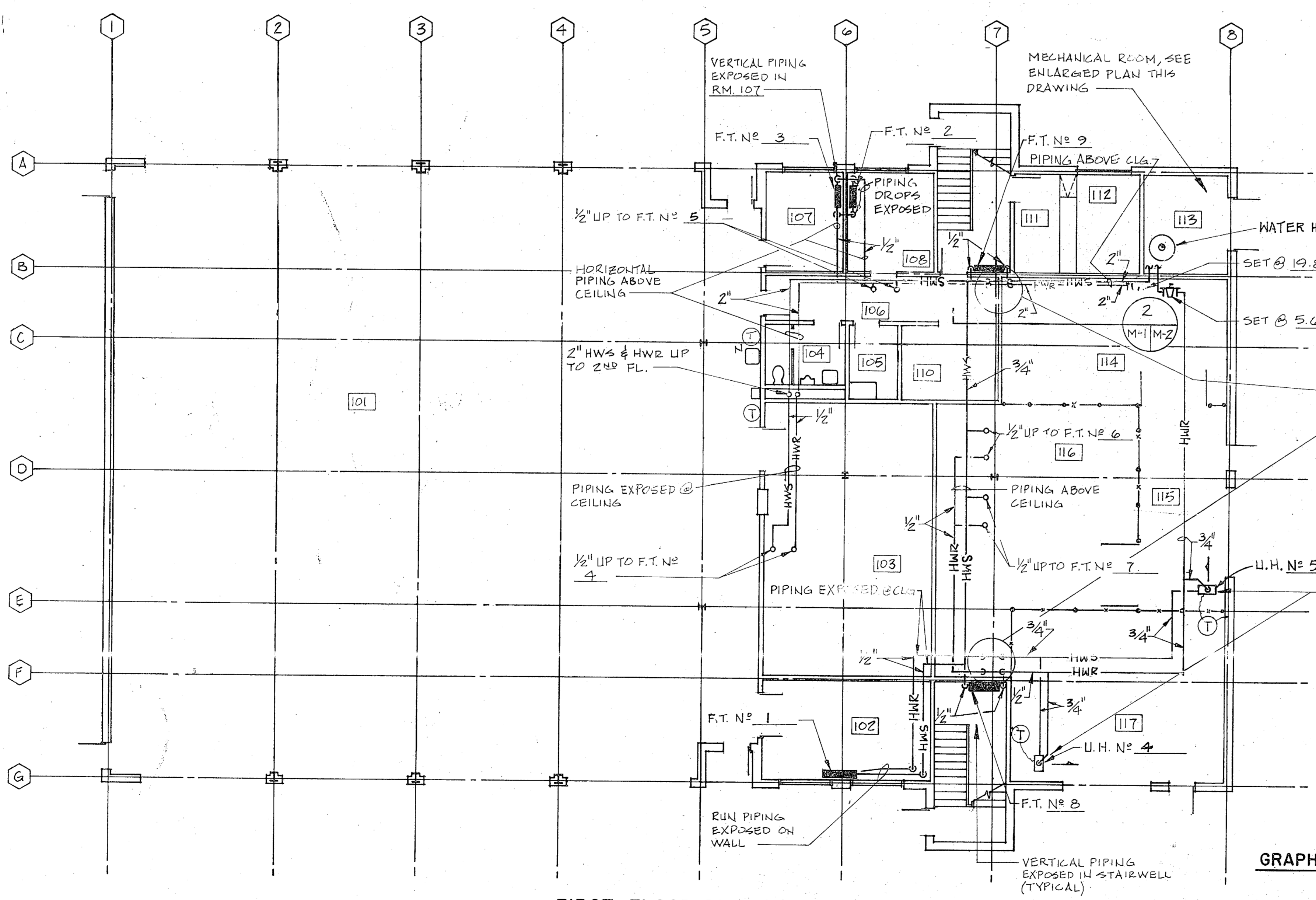


MBTB ARCHITECTS-ENGINEERS GREENVILLE, SOUTH CAROLINA		DEPARTMENT OF THE NAVY ATLANTIC DIVISION NAVAL STATION NORFOLK, VIRGINIA	
		DESIGNED BY: [Signature] DATE: [Date] CHECKED BY: [Signature] DATE: [Date] SUBMITTED BY: [Signature] DATE: [Date] FIRM MEMBER: [Signature] PRINCIPAL EFD. FE. [Signature] SVD. [Signature] NO. [Number] OR [Number]	
APPROVED: [Signature] DATE: [Date] OFFICER IN CHARGE: [Signature] DATE: [Date]		SIZE: F CODE IDENT. NO.: 80091	NAVFAC ORIGIN NO.: 4050084 CONSTR. CONTR. NO.: N62470-73-B-9215 SCALE: AS SHOWN SPEC. 05-75-9215
RECORD DRAWING DATE: 18 OCT. 1988		M-1 CAMP LEJEUNE, N.C. COMBAT VEHICLE MAINTENANCE SHOPS HEATING, FIRST & SECOND FLOOR PLANS 2d RADIO BATTALION	

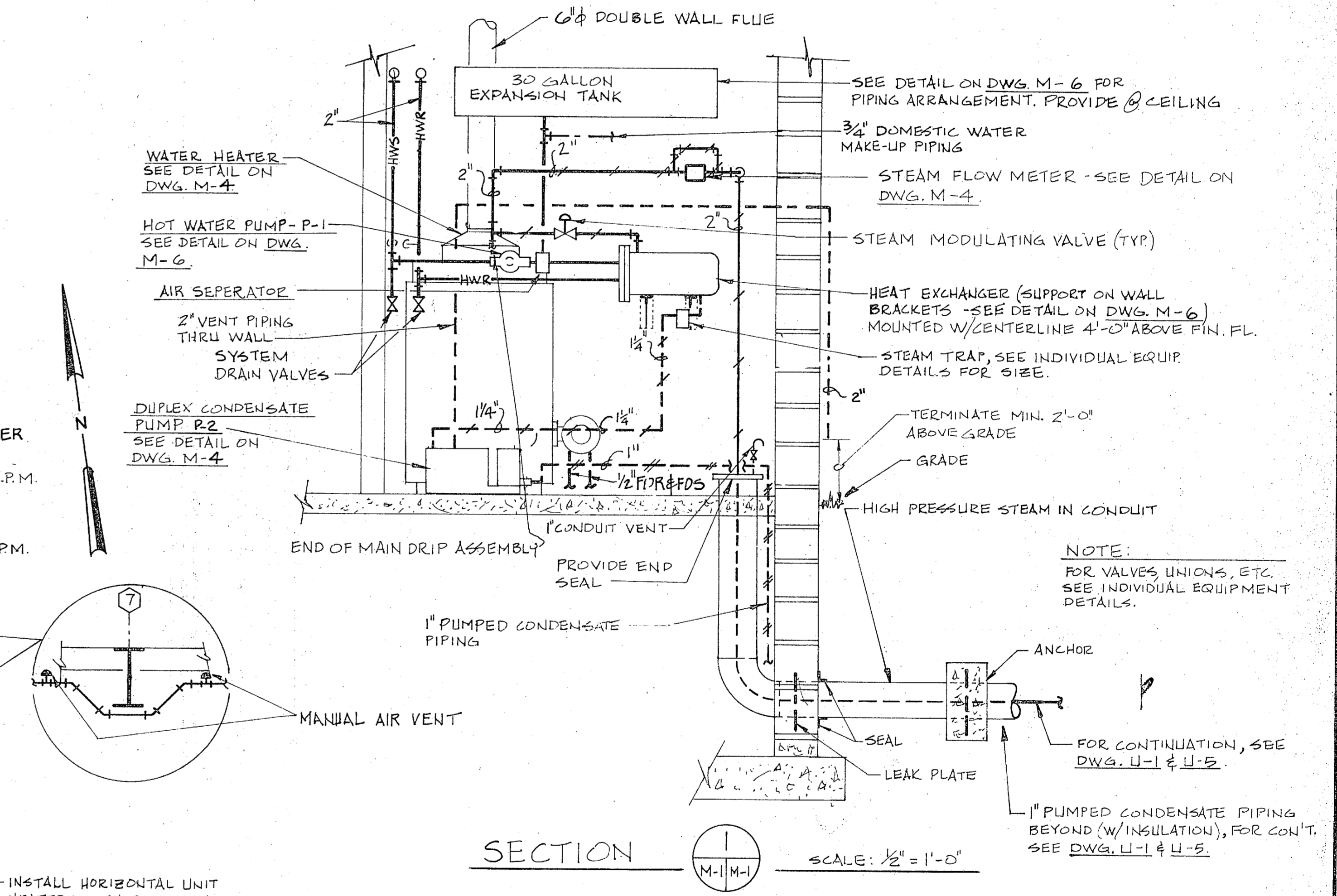
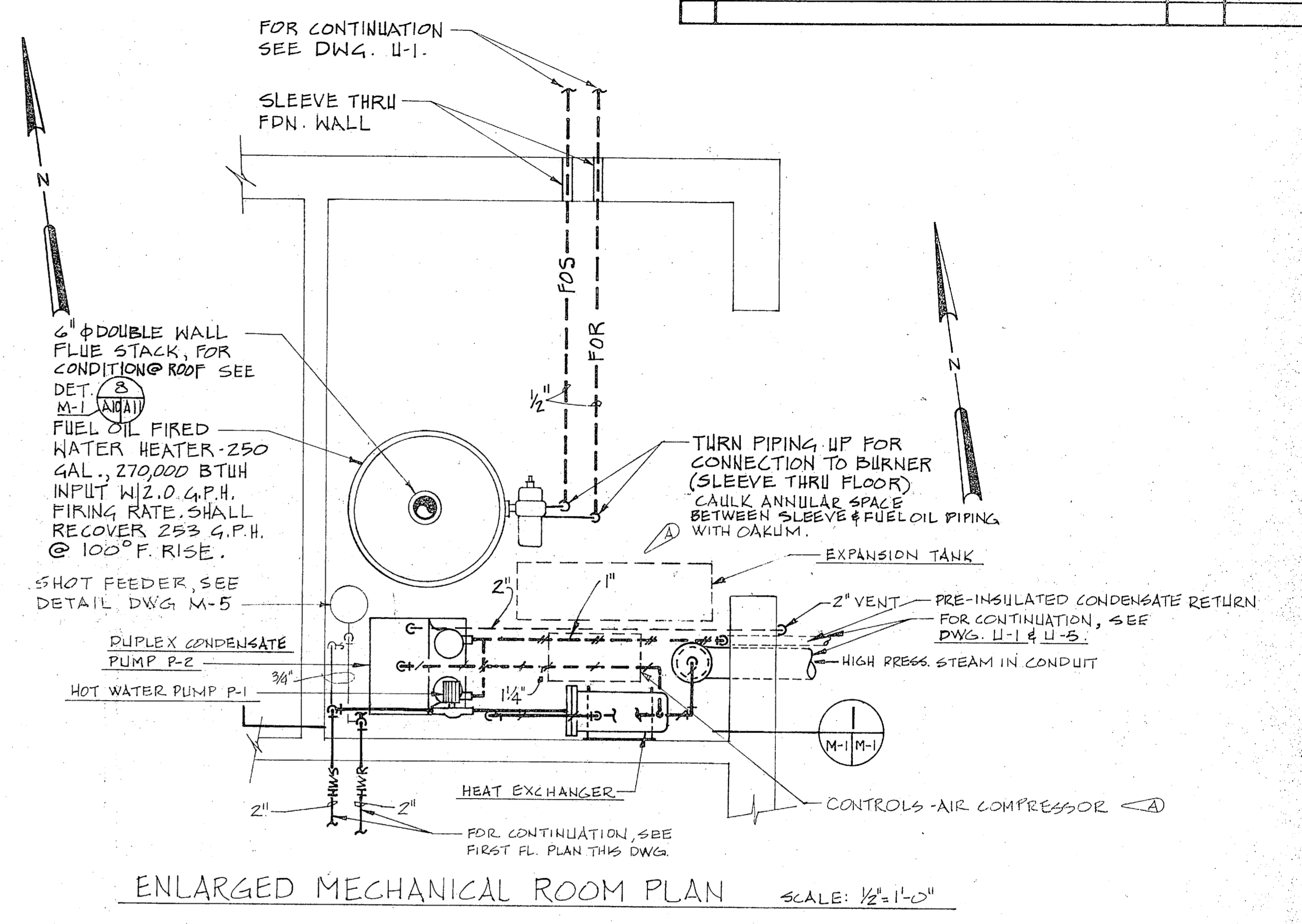
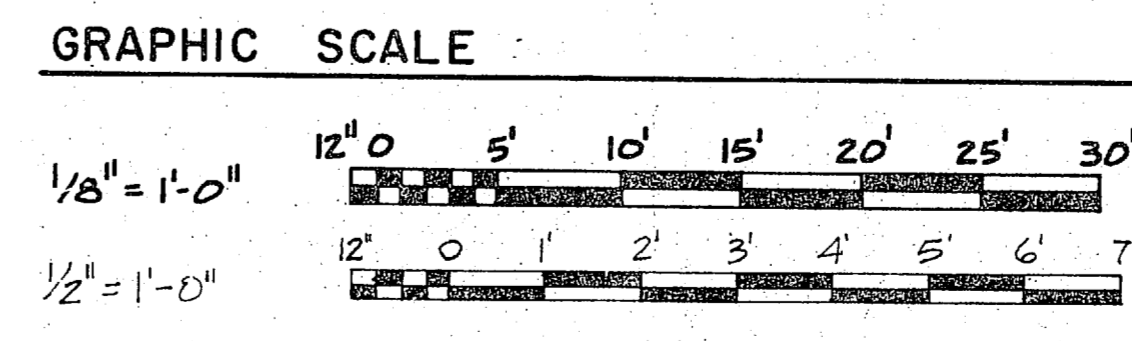
Lawrence



SECOND FLOOR PLAN SCALE: 1/8" = 1'-0"



FIRST FLOOR PLAN SCALE: 1/8" = 1'-0"

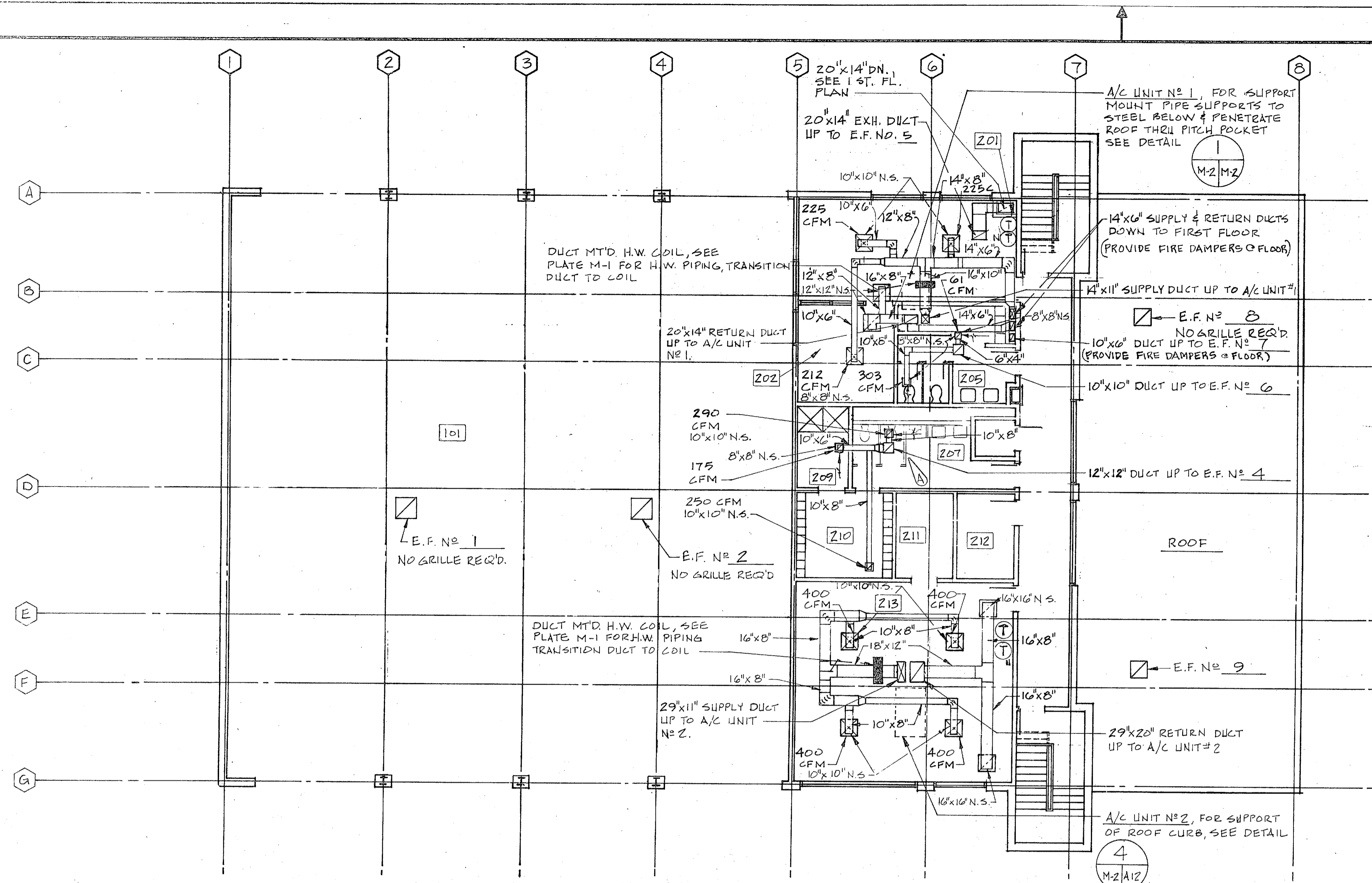


NOTES:

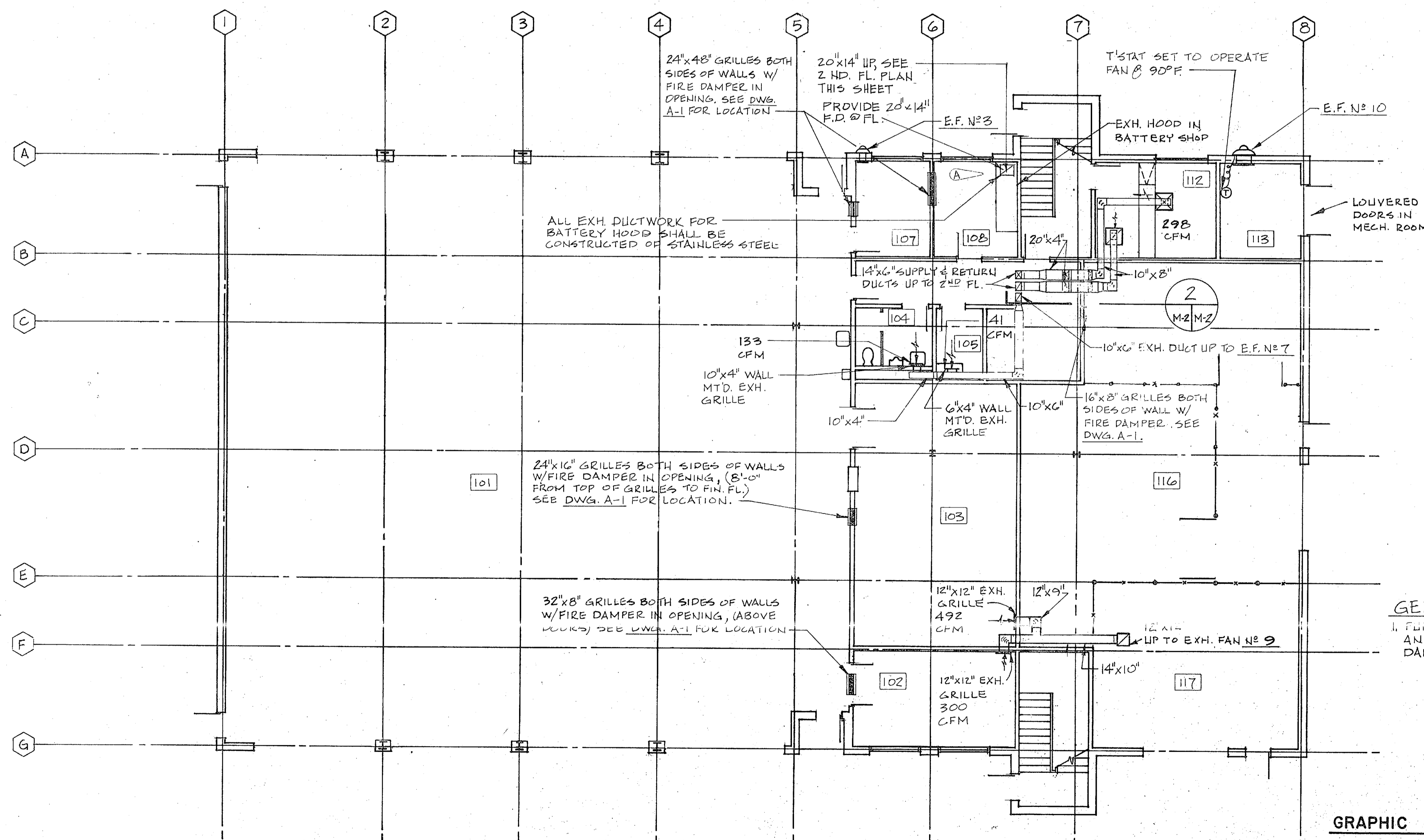
- ALL FINNED TUBE RADIATION SHALL BE INSTALLED WITH BOTTOM OF COVER 1" ABOVE FIN. FL. COVER SHALL BE INSTALLED IN ROOM AND 100 IN WHICH FINNED TUBE SHALL BE INSTALLED INVERTED WITH COVER 6" BELOW CEILING IN RM. 101 & TIGHT AGAINST 100" ABOVE GRILLE APPROX. 2'-0" TO BOTTOM IN RM. 102.
- FOR MECHANICAL LEGEND, SEE DWG. M-2.

RECORD DRAWING DATE: 18 OCT. 1958

	MBTB ARCHITECTS-ENGINEERS GREENVILLE, SOUTH CAROLINA 29602		DEPARTMENT OF THE NAVY ATLANTIC DIVISION NAVAL STATION NORFOLK, VIRGINIA	
	DESIGNED BY: DR. [Signature] CHK. [Signature] DRAWN BY: [Signature] ENGR. [Signature] SUBMITTED BY: [Signature] DATE: [Date] FIRM MEMBER: U.S. PRINCIPAL E.P. FE. [Signature] RVD. [Signature] NO. [Number] OR. [Signature]		MCB CAMP LEJEUNE, N.C. COMBAT VEHICLE MAINTENANCE SHOPS HEATING, FIRST & SECOND FLOOR PLANS 2d RADIO BATTALION	
APPROVED: [Signature] DATE: [Date] OFFICER IN CHARGE: [Signature] DATE: [Date]		SIZE: F CODE IDENT. NO.: 80091	NAVFAC DRAWING NO.: 4050084 CONSTR. CONTR. NO.: N62470-7-B-9215	SCALE: AS SHOWN SPEC. 05-75-9215 SHEET 30 OF 79



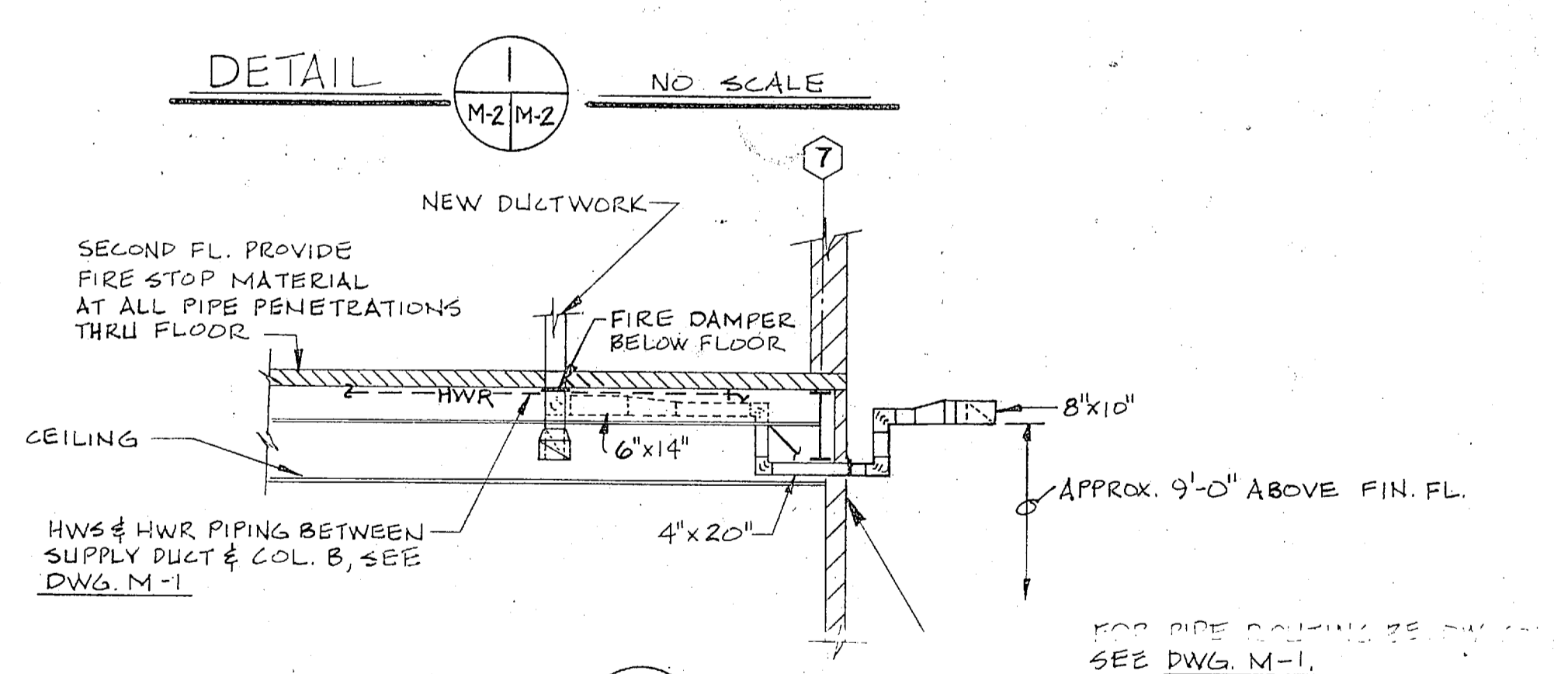
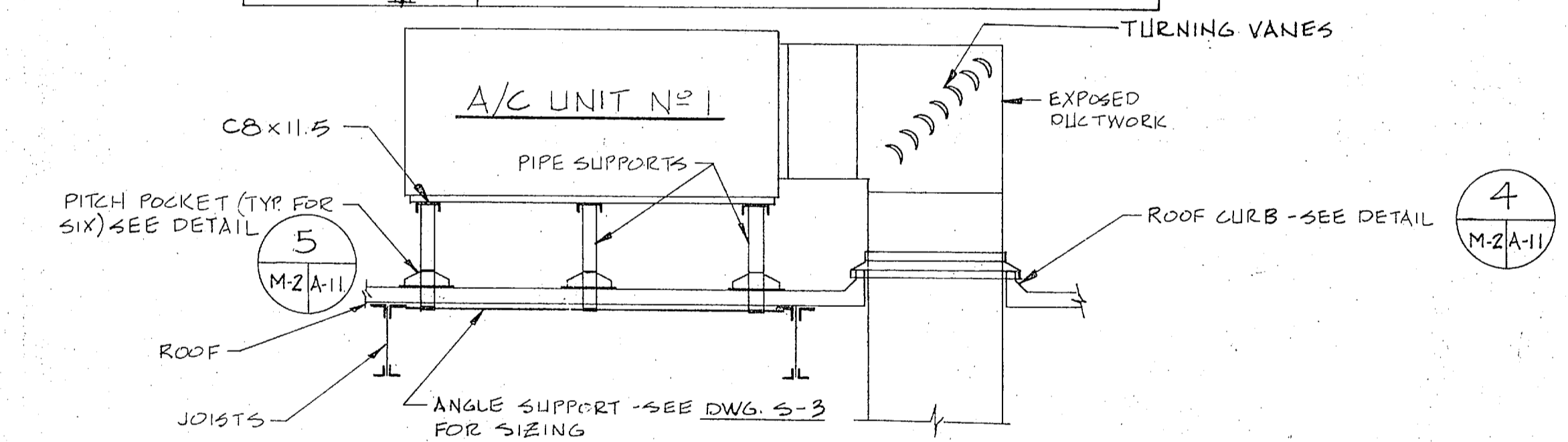
SECOND FLOOR PLAN SCALE: 1/8" = 1'-0"



FIRST FLOOR PLAN SCALE: 1/8" = 1'-0"

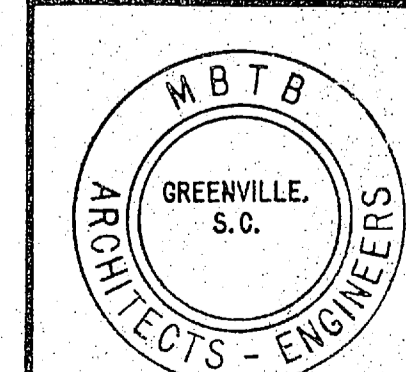
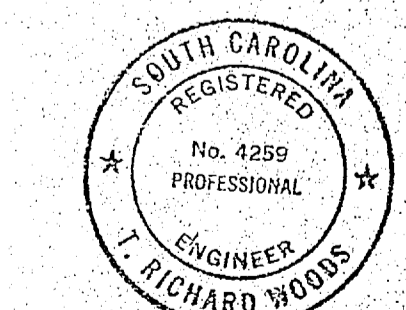
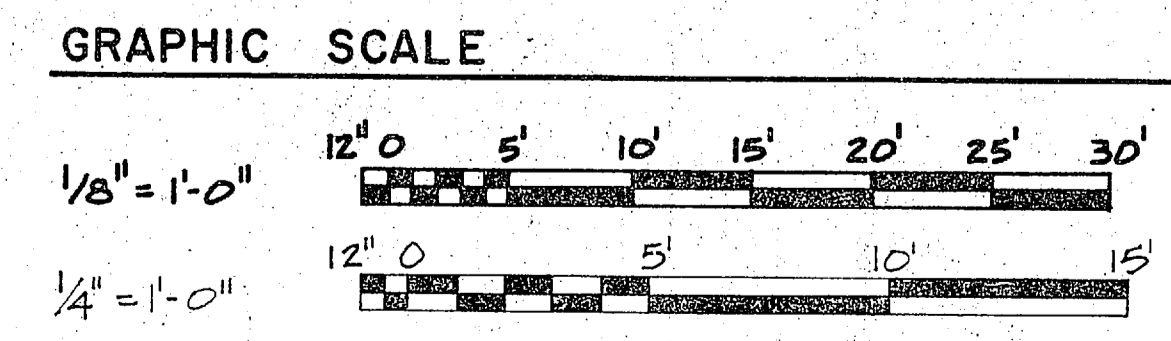
REVISIONS			
SYM	DESCRIPTION	DATE	APPROVED
1	REVISED "AS BUILT"	10/16/81	R.M.F.

LEGEND	
	MEDIUM PRESSURE STEAM PIPING (50 PSI)
	PUMPED CONDENSATE PIPING
	THERMOSTAT
	THERMOSTAT W/NITE SETBACK
	DIRECTION OF FLOW
	CUBIC FEET PER MINUTE
	SUPPLY AIR DIFFUSER (4-WAY) W/VOL. DPR
	RETURN OR EXHAUST GRILLE (W/VOL. DPR)
	GATE VALVE
	CHECK VALVE
	GLOBE VALVE
	STRAINER
	FLOAT & THERMOSTATIC STEAM TRAP
	PRESSURE GAGE
	UNION
	BALANCE VALVE
	FLOW CONTROL BALANCING VALVE W/PRESS. TAPS.
	10"x10" N.S. DIFFUSER NECK SIZE
	EXHAUST FAN
	LOW PRESSURE CONDENSATE PIPING (2 PSI)
	FUEL OIL SUPPLY
	FUEL OIL RETURN
	SPLITTER DAMPER
	TURNING VANES



SECTION 2 SCALE: 1/4" = 1'-0"

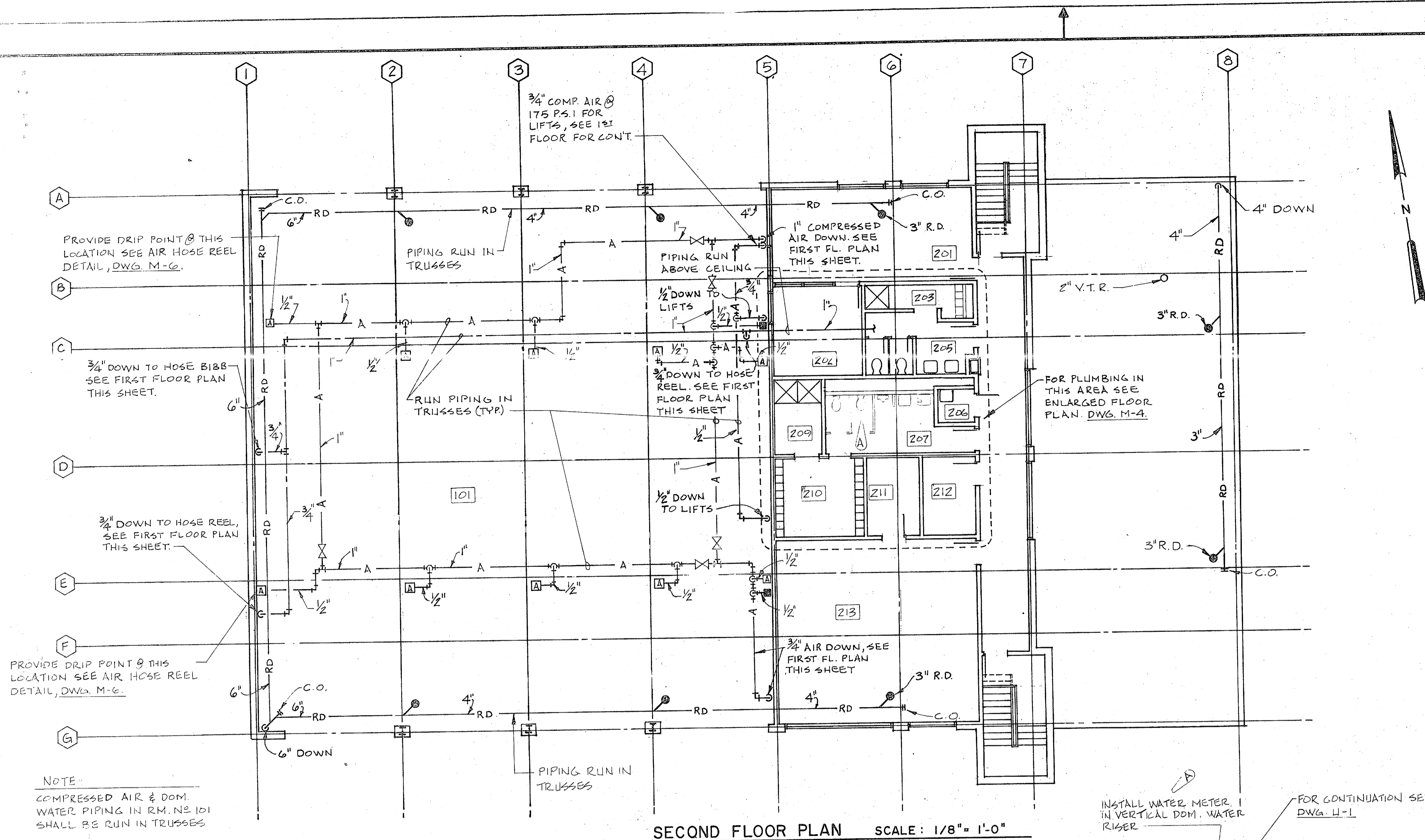
GENERAL NOTE
1. FURNISH & INSTALL IN DUCTWORK AN ACCESS DOOR FOR ALL FIRE DAMPERS.



MBTB ARCHITECTS-ENGINEERS GREENVILLE, SOUTH CAROLINA 29602		DEPARTMENT OF THE NAVY	
		NAVAL FACILITIES ENGINEERING COMMAND	
DESIGNED BY: DR. MATHIS CHECKED BY: CHN. 10/20/80 SUBMITTED BY: DATE: 10/16/81 FIRM MEMBER: PRINCIPAL EFO. FE. 7/22/81 RYS. 10/20/81 NO. 4145 DR. 10/20/81		M-2 ATLANTIC DIVISION NAVAL STATION NORFOLK, VIRGINIA	
APPROVED: DATE: _____ OFFICER IN CHARGE APPROVED: DATE: _____		CAMP LEJEUNE, N.C. COMBAT VEHICLE MAINTENANCE SHOPS A/C & VENT., FIRST & SECOND FLOOR PLANS 2d RADIO BATTALION	
SIZE: F CODE IDENT. NO.: 80091		NAVFAC DRAWING NO.: 4050085 CONSTR. CONTR. NO.: N62470-7-B-9215	
FOR EFD FOR COMMANDER, NAVFAC		SCALE: AS SHOWN SPEC. 05-79-9215 SHEET 21 OF 19 EFD. DWG. NO. 150085	

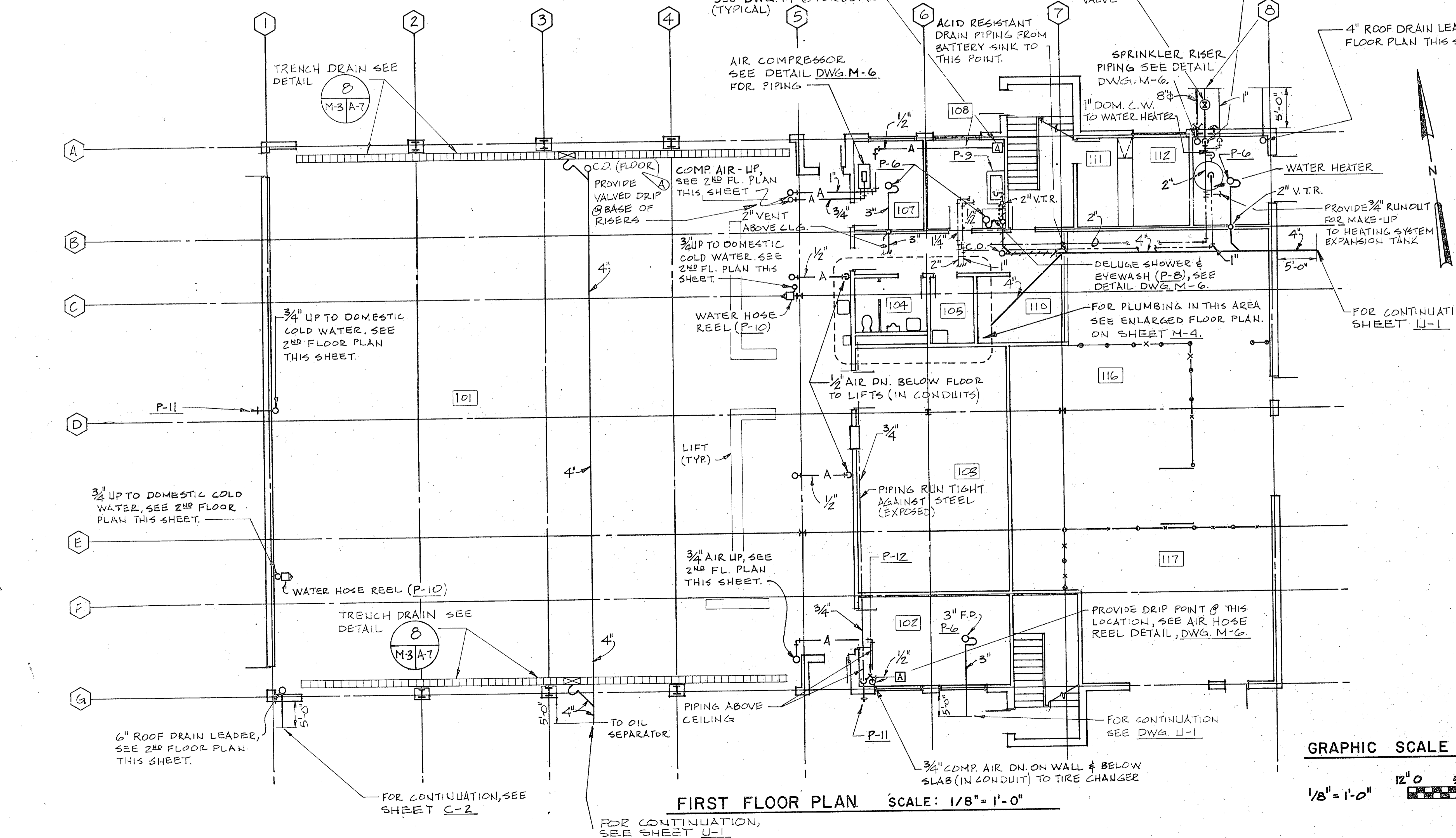
RECORD DRAWING
DATE: 18 OCT. 1981

REVISIONS			
SYM	DESCRIPTION	DATE	APPROVED
A	REVISED - "AS BUILT"	10/14/81	KMP



SECOND FLOOR PLAN SCALE: 1/8" = 1'-0"

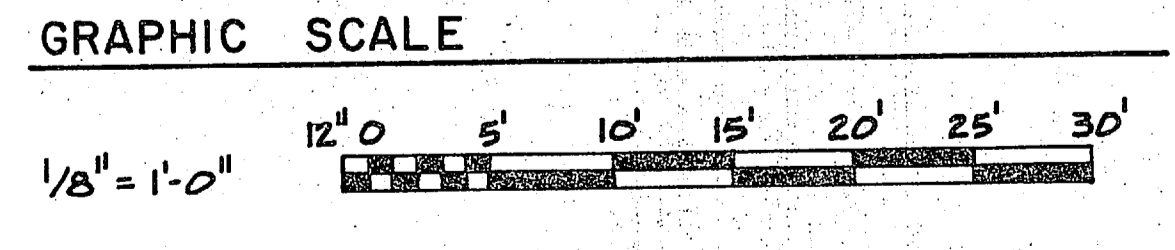
PLUMBING LEGEND	
SYMBOL	DESCRIPTION
	DOMESTIC COLD WATER PIPING
	SANITARY SEWER PIPING
	WASTE PIPING
	COMPRESSED AIR PIPING
	ROOF DRAIN PIPING
	AIR OUTLET (HOSE REEL)
	WATER HOSE REEL
	VENT THRU ROOF
	DRINKING FOUNTAIN
	HOSE BIBB
	CLEAN OUT
	FLOOR DRAIN
	COLD WATER
	ROOF DRAIN
	PIPING TURNED UP
	PIPING TURNED DOWN
	LUBRICATING REEL
	FLOOR CLEANOUT
	WALL OR ABOVE GROUND CLEANOUT
	DOMESTIC HOT WATER
	SANITARY VENT PIPING
	ACID RESISTANT SANITARY SEWER PIPING
	BRANCH TAKE-OFF ON TOP OF MAIN



FIRST FLOOR PLAN SCALE: 1/8" = 1'-0"

PLUMBING FIXTURE PIPE SIZE SCHEDULE						
SYMBOL	FIXTURE TYPE	C.W.	H.W.	VENT	WASTE (MIN)	REMARKS
P-1	WATER CLOSET	1"	—	3"	4"	FLUSH VALVE
P-2	URINAL	3/4"	—	2"	3"	FLUSH VALVE
P-3	LAVATORY	1/2"	1/2"	1 1/4"	1 1/2"	
P-4	SERVICE SINK	1/2"	1/2"	2"	3"	
P-5	ELECT. D.F.	1/2"	—	1 1/4"	1"	
P-6	FLOOR DRAIN	—	—	2"	3"	NOTE 1
P-7	SHOWER	1/2"	1/2"	1 1/2"	2"	
P-8	DELUGE SHR. & EYEWASH	1 1/4"	—	—	1 1/4"	NOTE 2
P-9	BATTERY SINK	1/2"	1/2"	1 1/2"	1 1/2"	ACID RESISTANT DRAIN PIPING
P-10	HOSE REEL	3/4"	—	—	—	
P-11	EXT. H.B.	1/2"	—	—	—	
P-12	INT. H.B.	1/2"	—	—	—	

NOTES:
 1. FLOOR DRAIN IN RM. NO 102 (BATTERY SHOP) SHALL BE ACID RESISTANT & HAVE ACID RESISTANT PIPING.
 2. SEE DELUGE SHOWER & EYEWASH DETAIL (DWG. M-6) FOR PIPING CONNECTIONS.



RECORD DRAWING
DATE: 16 OCT 1981

M-3

DEPARTMENT OF THE NAVY
NAVAL FACILITIES ENGINEERING COMMAND
ATLANTIC DIVISION
NORFOLK, VIRGINIA

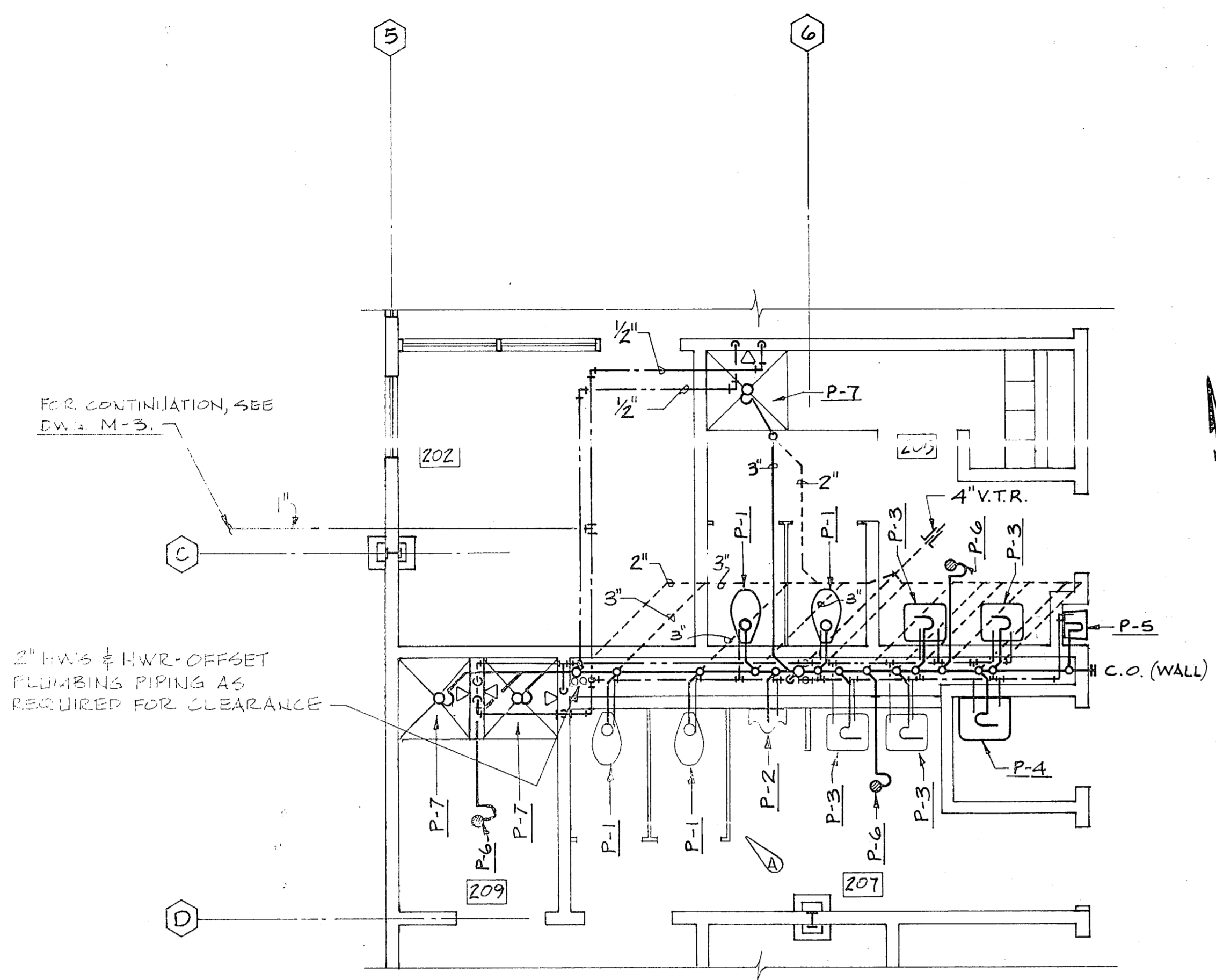
NAVAL STATION
MCB CAMP LEJEUNE, N.C.
COMBAT VEHICLE MAINTENANCE SHOPS
PLUMBING FIRST & SECOND FLOOR PLANS
2d RADIO BATTALION

DESIGNED BY: DR. V. T. TIGHE
CHECKED BY: CH. J. HARRIS
PROJ. MGR. DR. V. T. TIGHE
SUBMITTED BY: DATE: 10/14/81
FIRM MEMBER: RVD
EFD, FB, DR, DR
APPROVED: DATE: 10/14/81
OFFICER IN CHARGE: F 80091
APPROVED: DATE: 10/14/81
FOR EFD FOR COMMANDER, NAVFAC

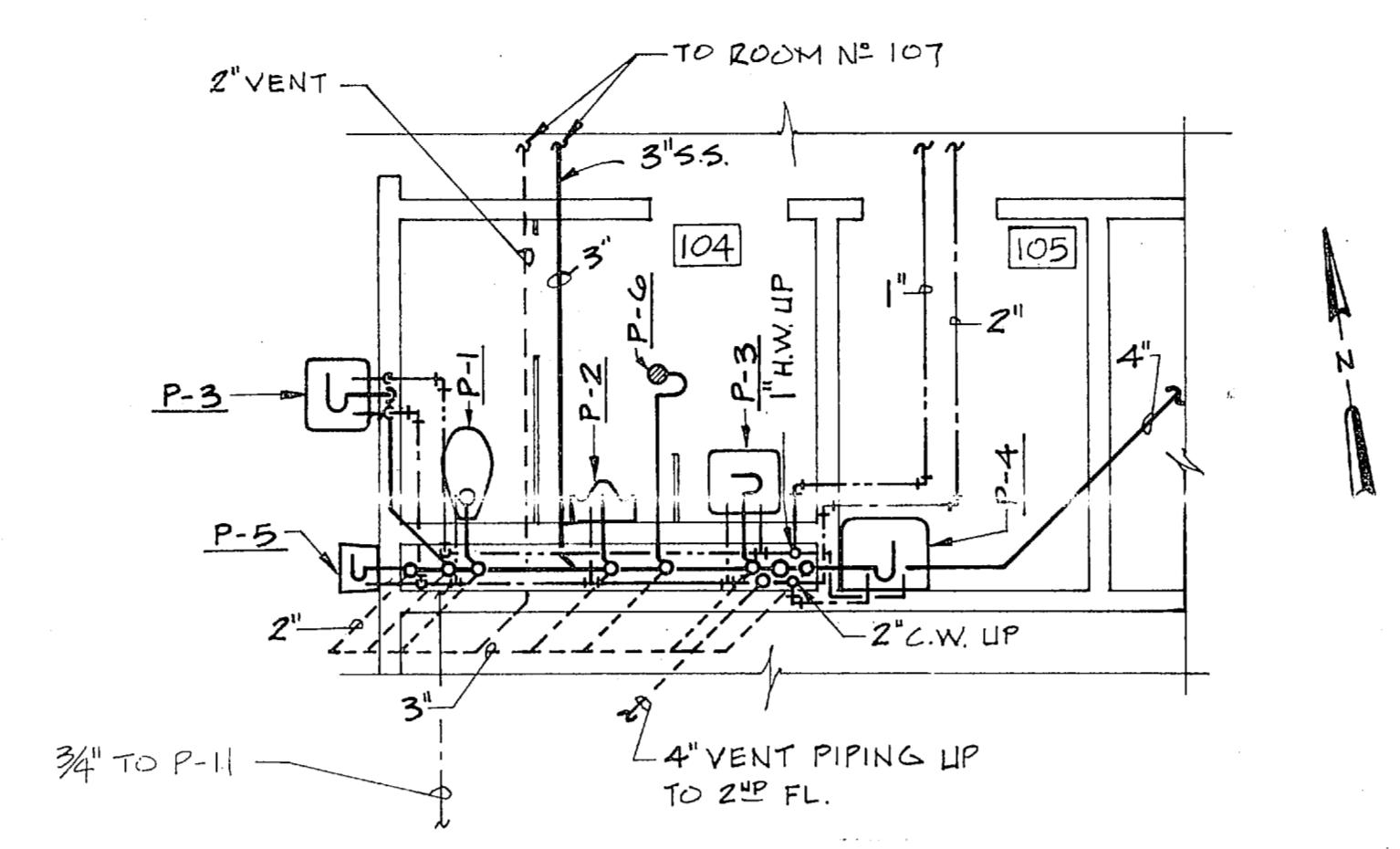
NAVFAC DRAWING NO. 4050086
CONSTR. CONTR. NO. N62470-79-B-9215
SCALE: AS SHOWN SPEC. Q5-7'-9215
SHEET 32 OF 117

EFD, DRG. NO. 130086

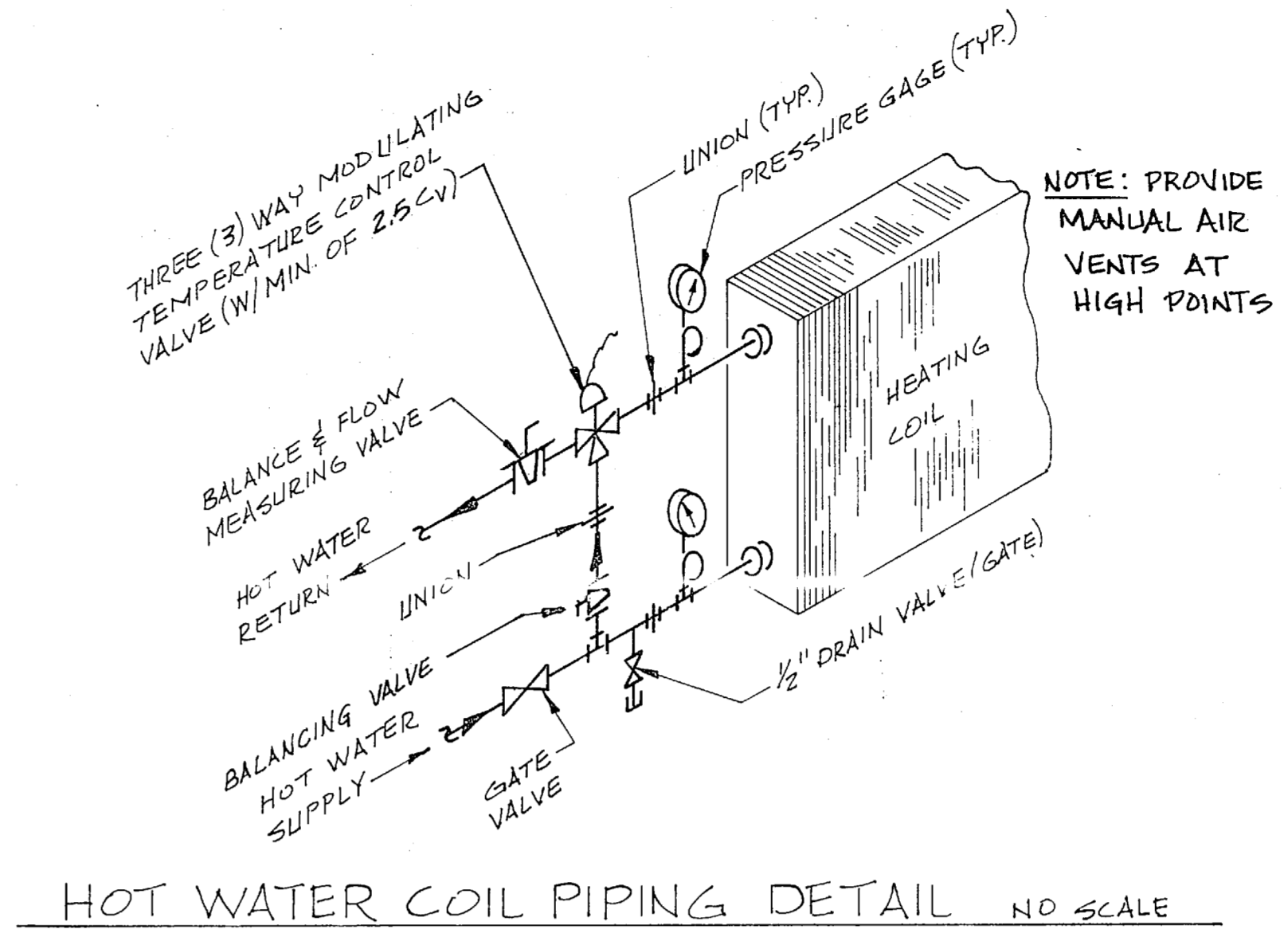
REVISIONS		DATE	APPROVED
SYM	DESCRIPTION		
A	REVISED - "AS BUILT"	10/14/51	EMP



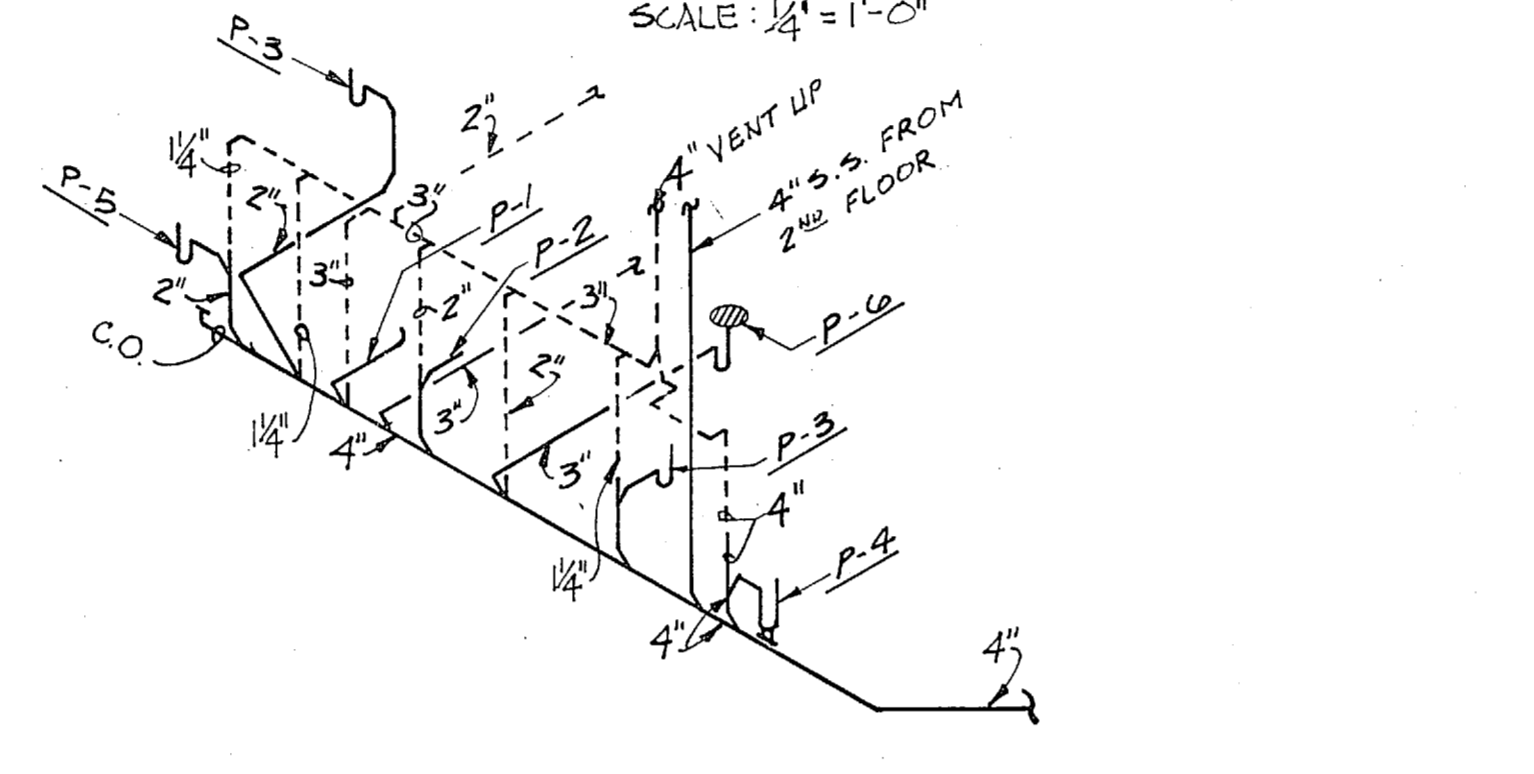
ENLARGED TOILET PLAN - SECOND FLOOR
SCALE: 1/4" = 1'-0"



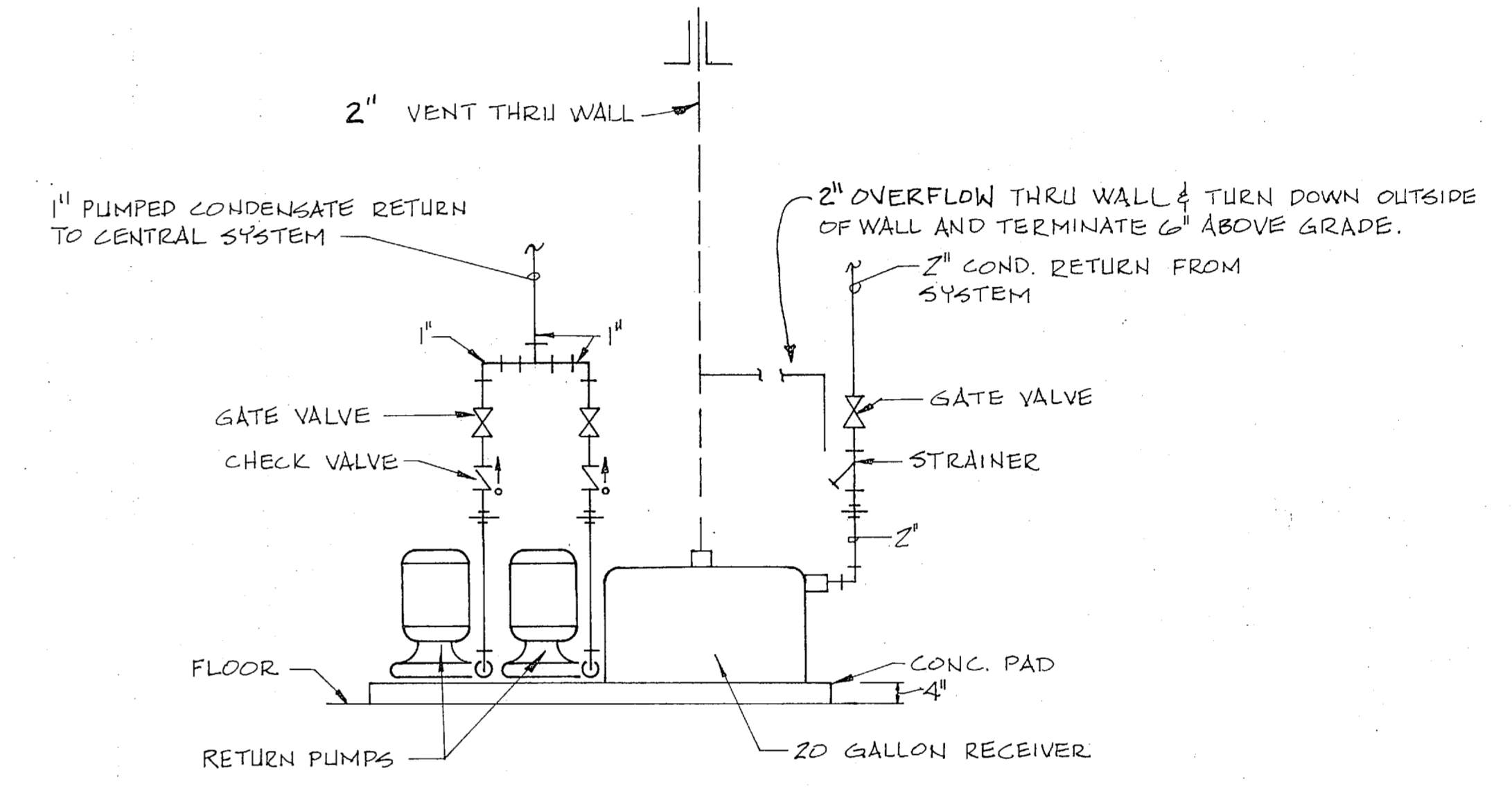
ENLARGED TOILET PLAN - FIRST FLOOR
SCALE: 1/4" = 1'-0"



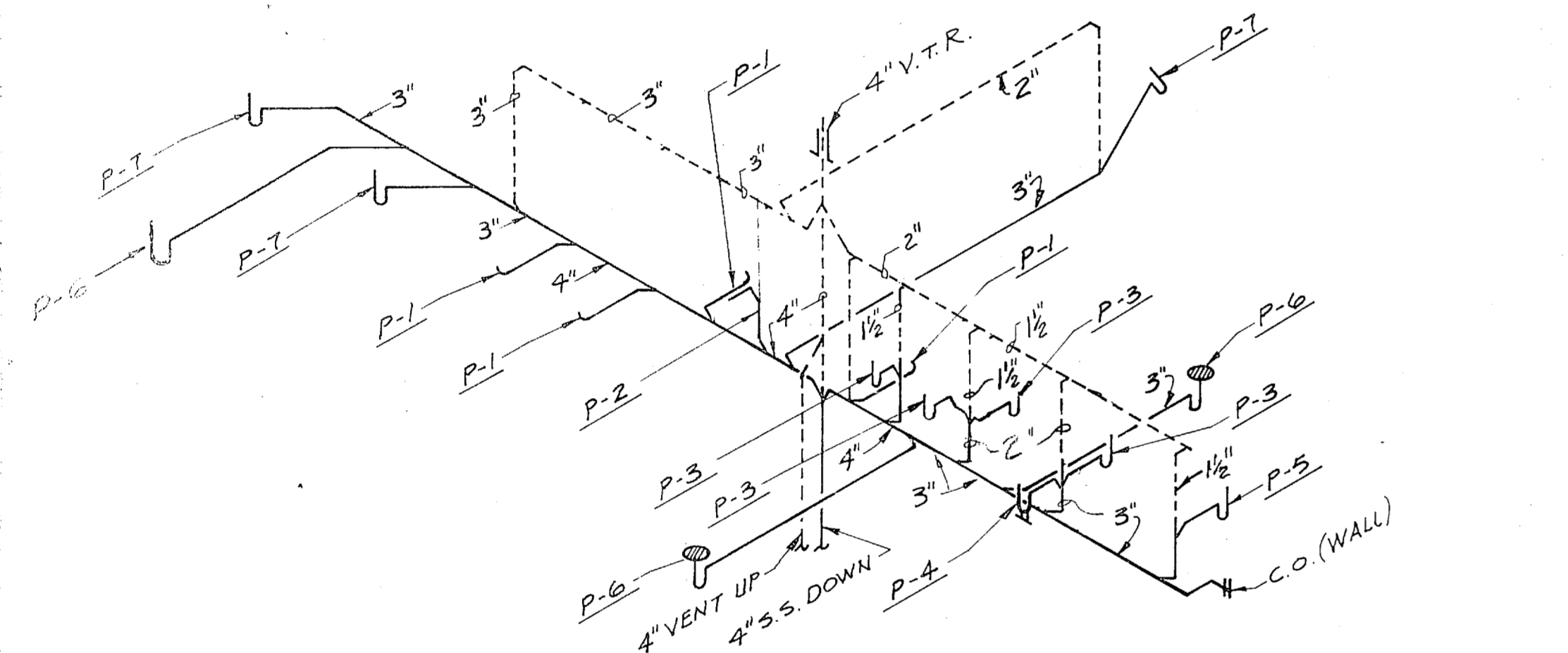
HOT WATER COIL PIPING DETAIL NO SCALE



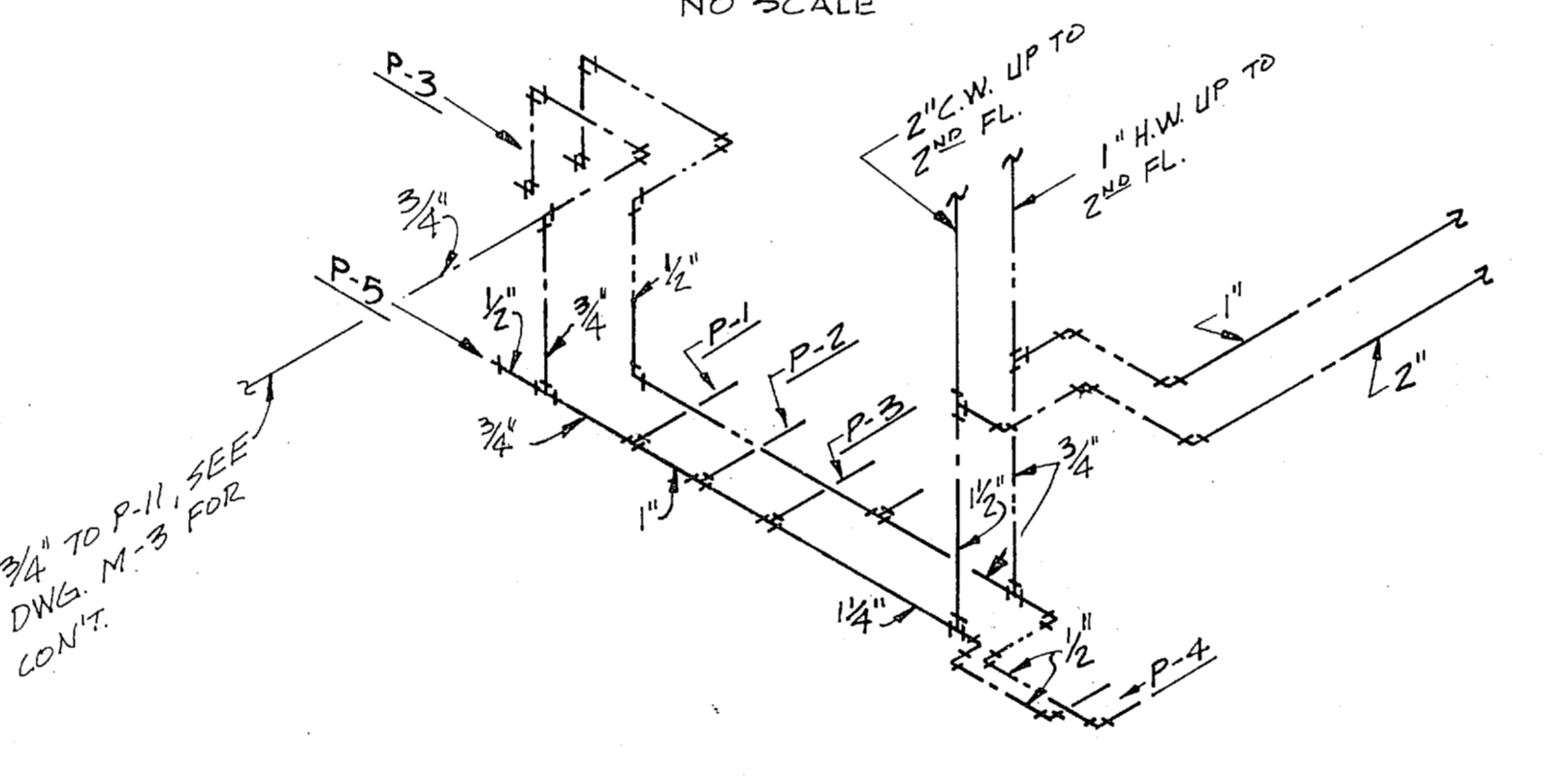
SANITARY SEWER PIPING ISOMETRIC - FIRST FLOOR
NO SCALE



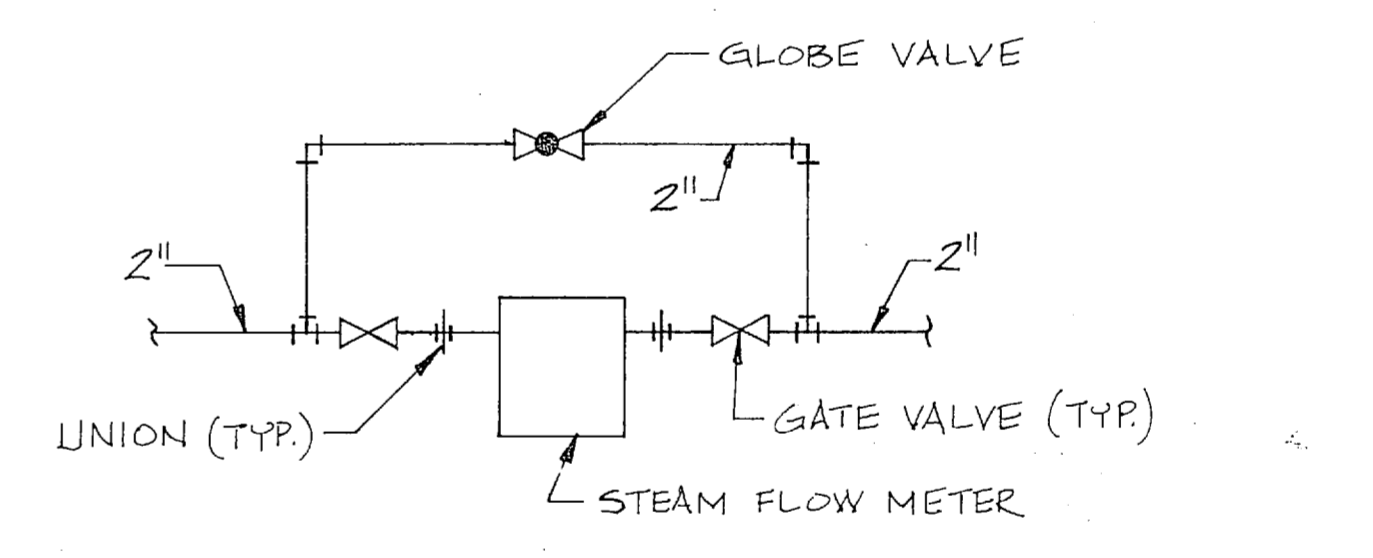
PIPING SCHEMATIC DUPLEX CONDENSATE RETURN UNIT NO SCALE



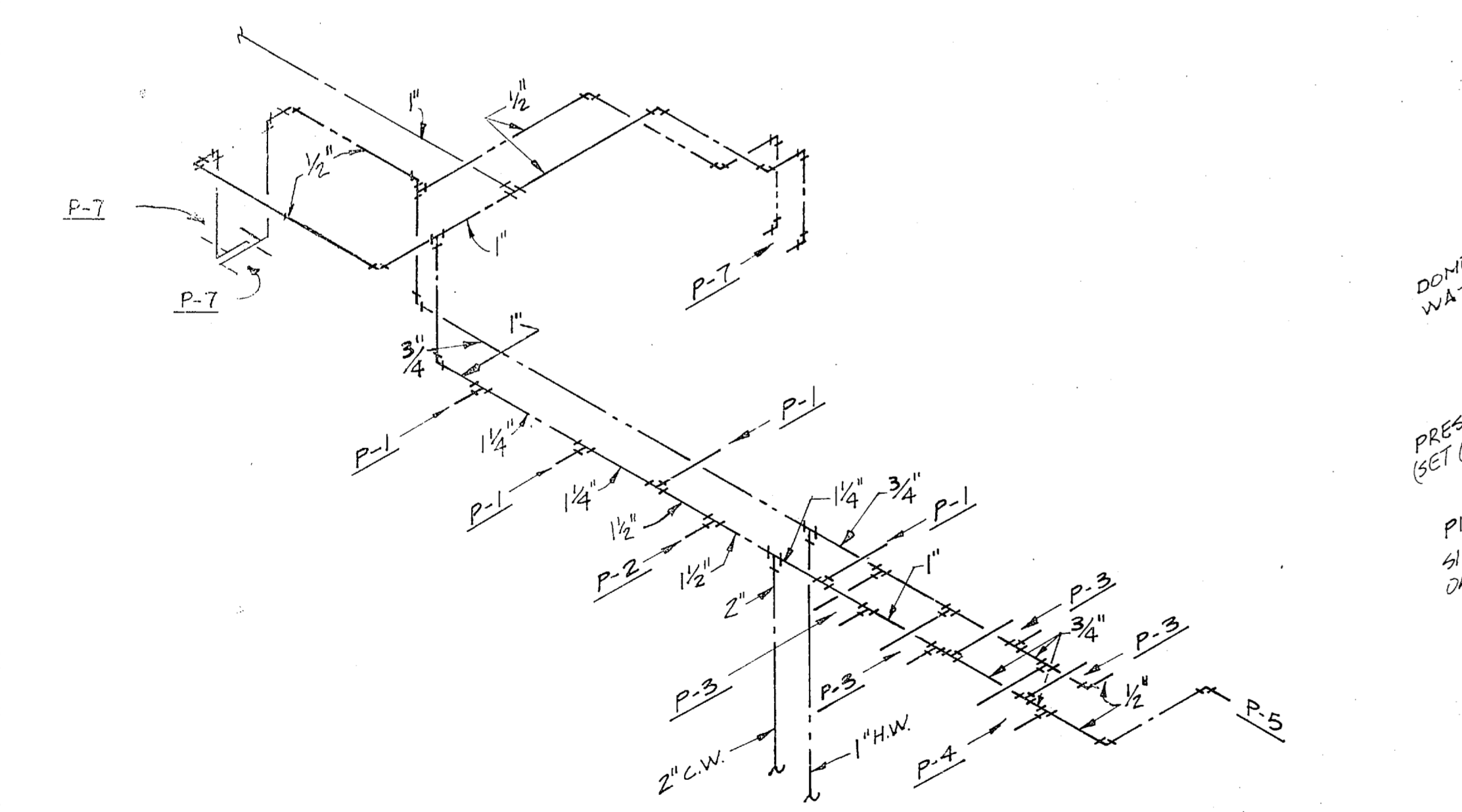
SANITARY SEWER PIPING ISOMETRIC - SECOND FLOOR
NO SCALE



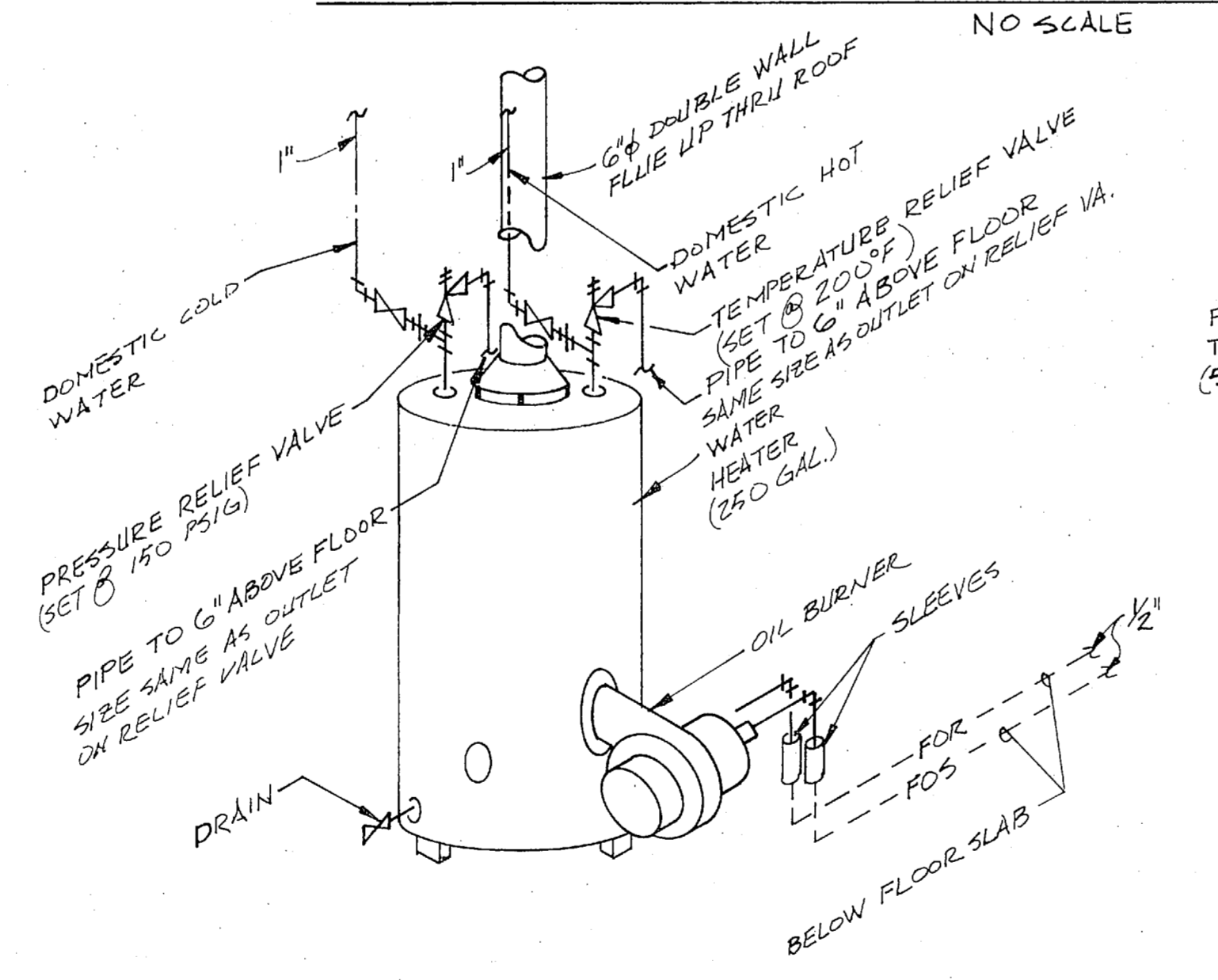
DOMESTIC WATER PIPING ISOMETRIC - FIRST FLOOR
NO SCALE



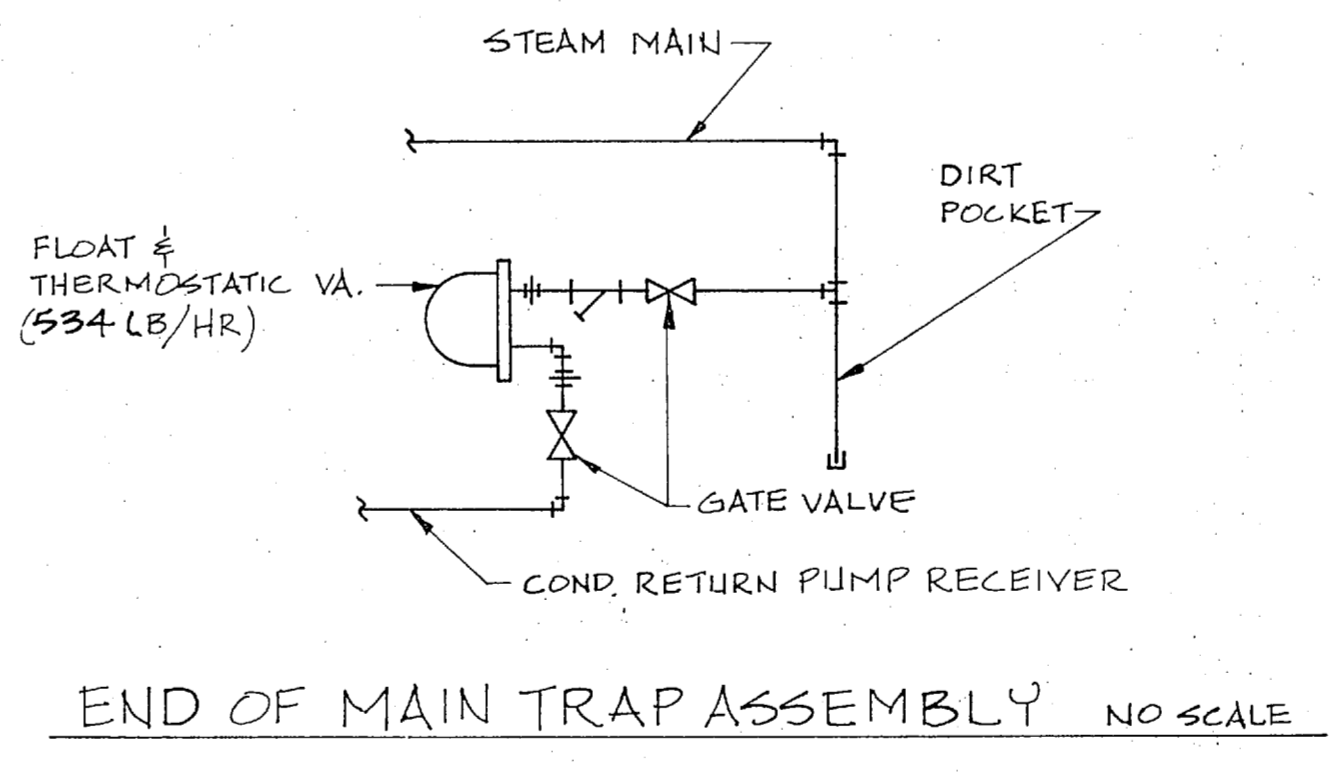
STEAM FLOW METER DETAIL NO SCALE



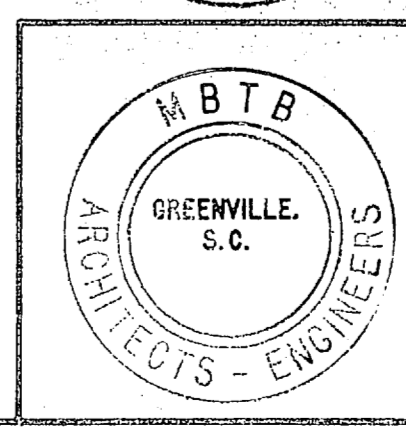
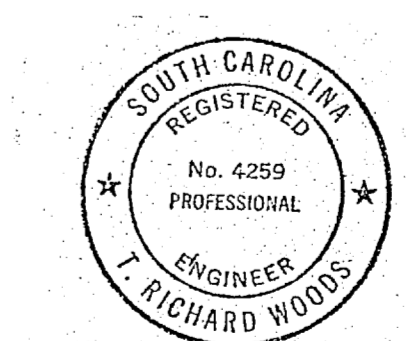
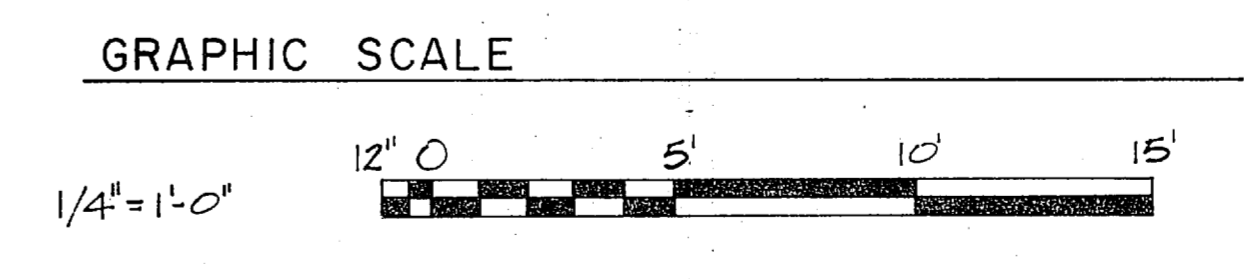
DOMESTIC WATER PIPING ISOMETRIC - SECOND FLOOR
NO SCALE



WATER HEATER DETAIL (STEAM) NO SCALE



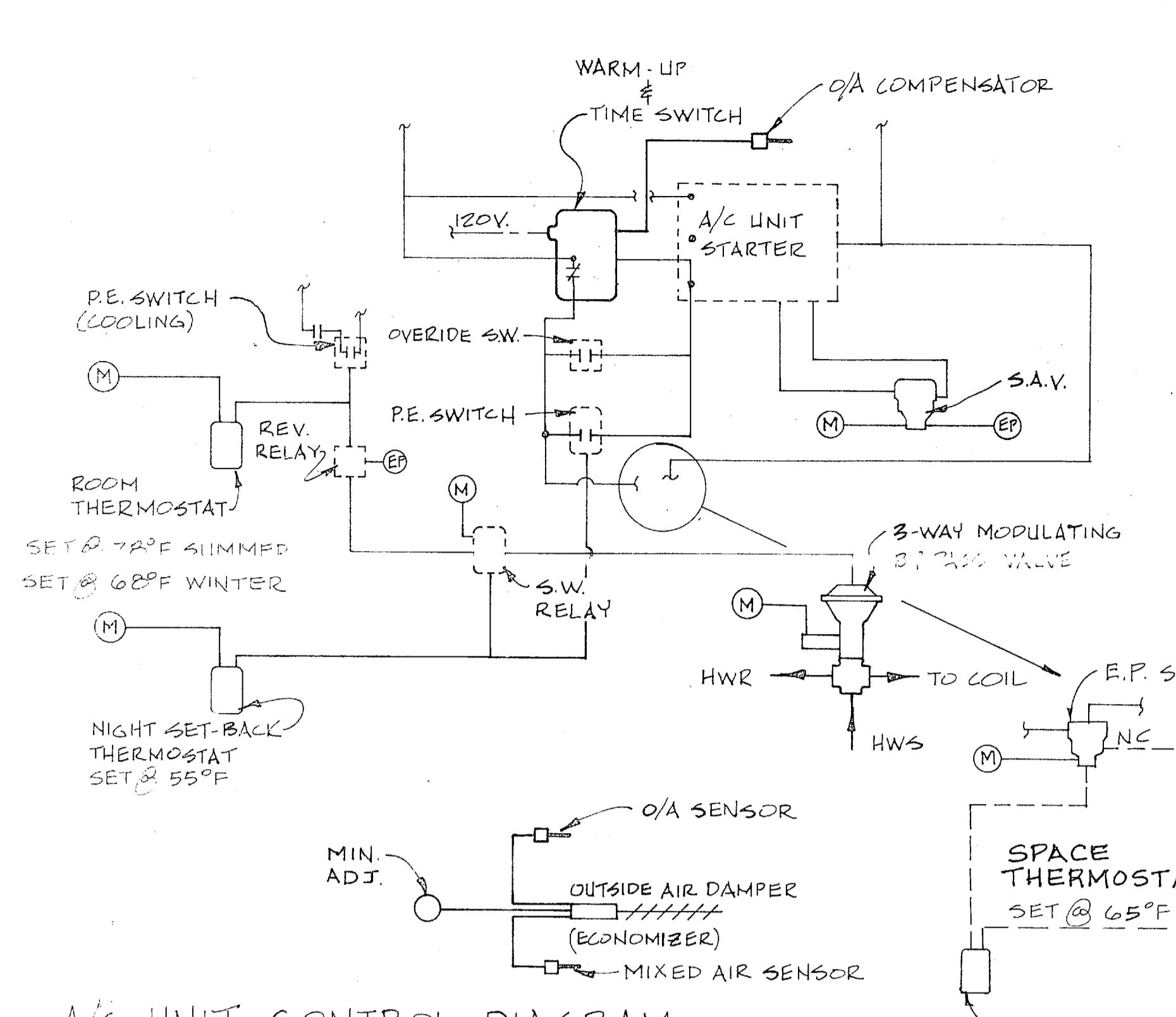
END OF MAIN TRAP ASSEMBLY NO SCALE



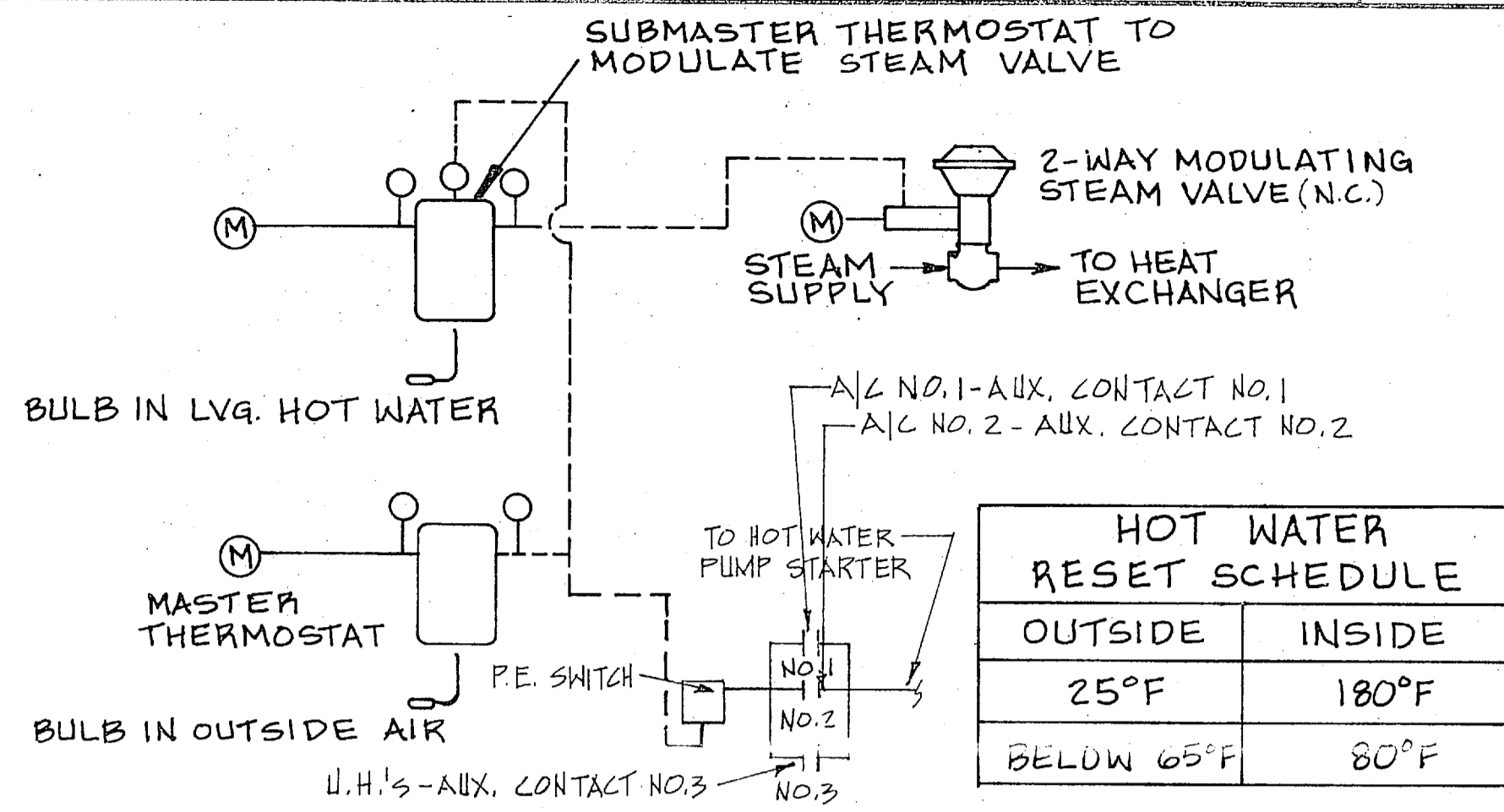
MBTB ARCHITECTS-ENGINEERS GREENVILLE, SOUTH CAROLINA 29602		DEPARTMENT OF THE NAVY NAVAL FACILITIES ENGINEERING COMMAND NAVAL STATION NORFOLK, VIRGINIA	
		M-4 M C B CAMP LEJEUNE, N. C. COMBAT VEHICLE MAINTENANCE SHOPS PLUMBING PLANS AND HEATING DETAILS 2d RADIO BATTALION	
DES. <i>Woods</i> DR. <i>MATHIS</i> CHK. <i>Woods</i> PROJ. MGR. <i>Woods</i> ENGR. <i>Woods</i> SUBMITTED BY: <i>Woods</i> DATE: <i>10/11/51</i> FIRM MEMBER: <i>Woods</i> PRINCIPAL ED. FR. <i>Woods</i> REV. <i>Woods</i> HD. <i>Woods</i> DIR. <i>Woods</i>	APPROVED: _____ DATE: _____ OFFICER IN CHARGE: _____ DATE: _____ APPROVED: _____ DATE: _____	SIZE: F CODE: 80091 NAVFAC DRAWING NO: 4050087 CONSTR. CONTR. NO. N62470-73-B-9215 SCALE: AS SHOWN SPEC. 05-70-9215	SHEET 33 OF 19 EFD. DWG. NO. 150087

RECORD DRAWING
DATE 16 OCT. 1951

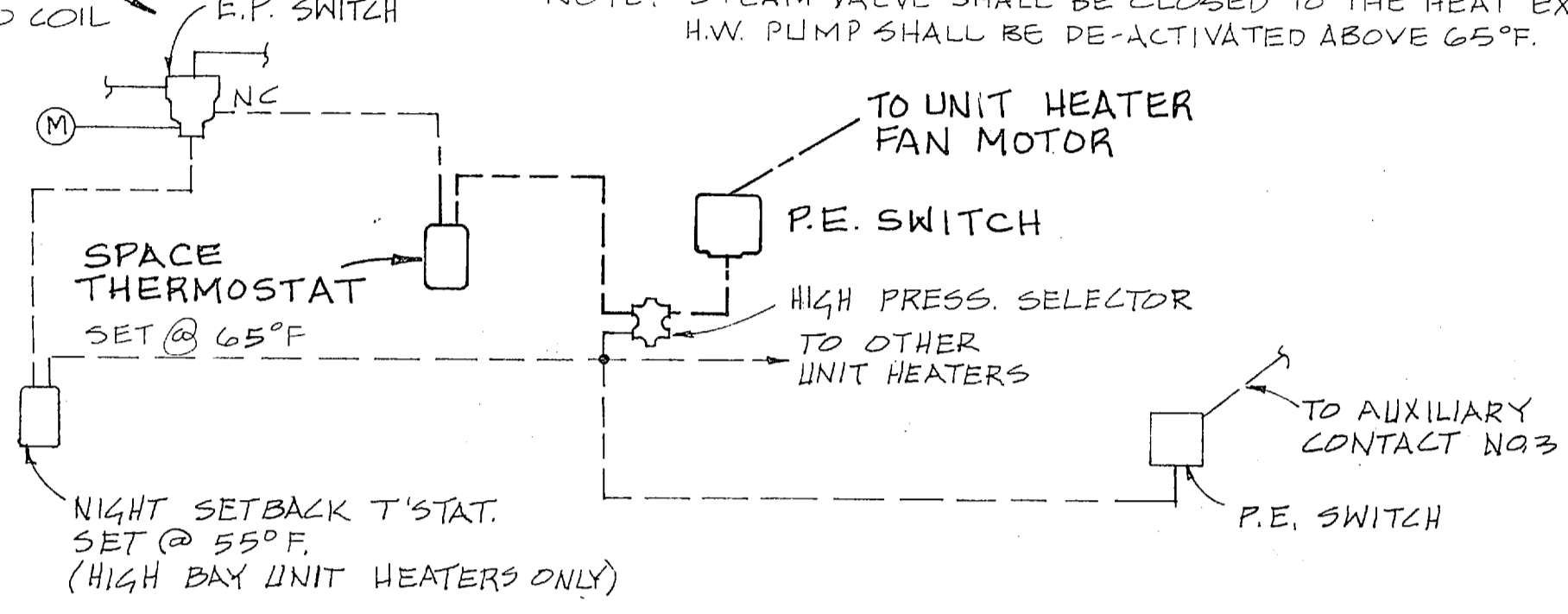
REVISIONS			
SYM	DESCRIPTION	DATE	APPROVED



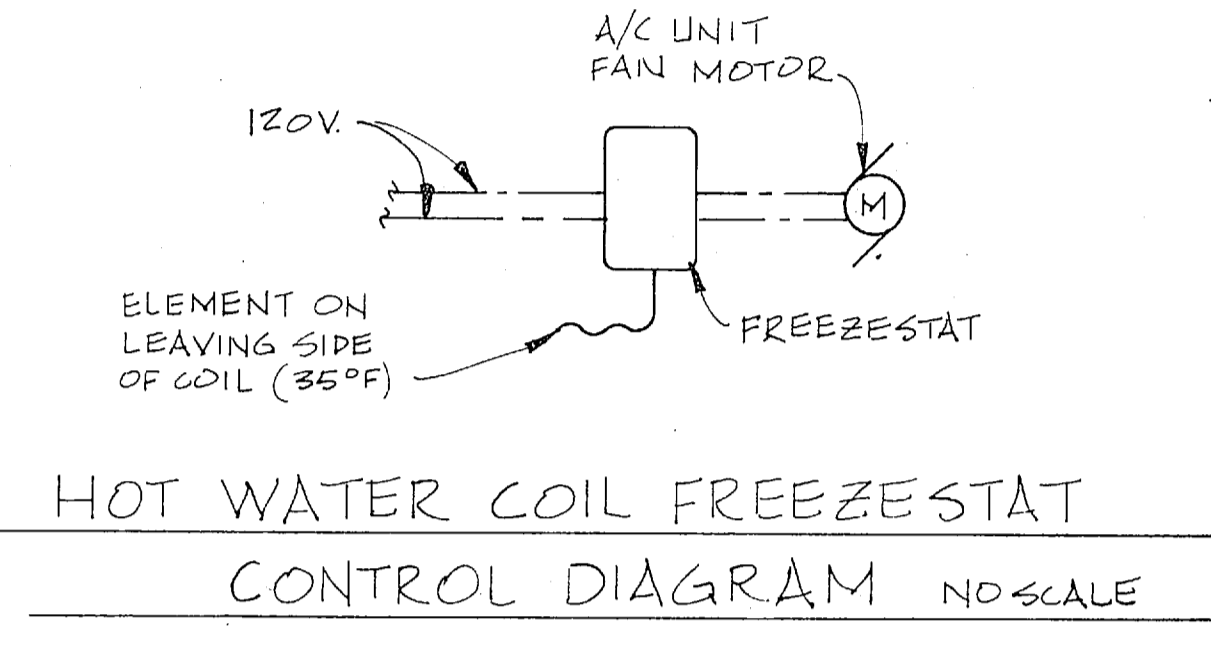
A/C UNIT CONTROL DIAGRAM NO SCALE



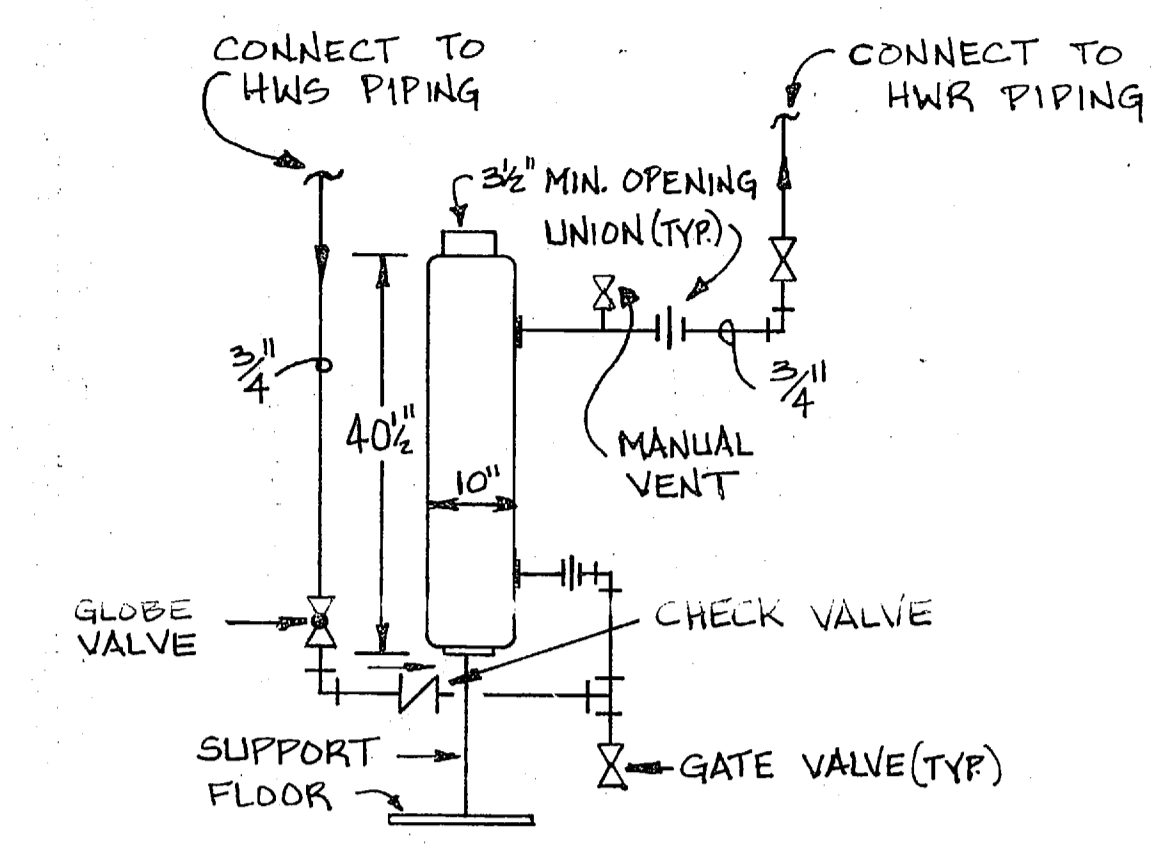
HEATING HOT WATER CONTROL DIAGRAM NO SCALE



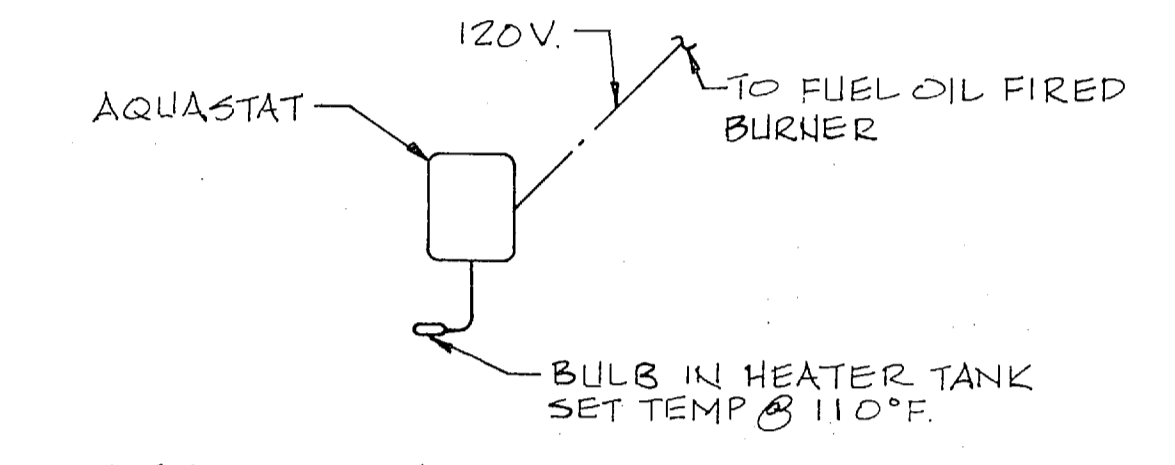
UNIT HEATER CONTROL DIAGRAM NO SCALE



HOT WATER COIL FREEZE STAT CONTROL DIAGRAM NO SCALE



SHOT FEEDER DETAIL NO SCALE



WATER HEATER AQUASTAT CONTROL DIAGRAM NO SCALE

MARK	AIR HANDLING DATA				COOLING DATA				ELECTRIC	REMARKS
	S/A CFM	O/A CFM	EVAP. FAN H.P.	EXT. STAT. PRESS. I.W.G.	ENTERING AIR		MIN. HEAT			
					EVAP.	COND.	MBH SENSIBLE	MBH TOTAL		
A/C-1	960	80	1/6	.75	79.0°F DB 66.3°F WB	90°F	17,866	20,422	208/3/60	MOUNTED ON PIPE SUPPORTS
A/C-2	1600	150	1/3	.80	79.0°F DB 66.3°F WB	90°F	23,561	38,819	208/3/60	CURB MOUNTED

MARK	MBH	GPM	CFM	H.P.	WATER		TYPE	REMARKS
					ENT. TEMP (°F)	WATER ΔT (°F)		
UH-1	51.2	5.1	1850	1/8	180	20	VERT.	SEE NOTE 1
UH-2	51.2	5.1	1850	1/8	180	20	VERT.	
UH-3	51.2	5.1	1850	1/8	180	20	VERT.	
UH-4	19.9	2.0	582	1/32	180	20	HORIZ.	
UH-5	19.9	2.0	582	1/32	180	20	HORIZ.	

1. LEAVING AIR TEMPERATURE IS 96°F; MIN. VERTICAL THROW - 26 FT; 1050 R.P.M.

MARK	BTU/FT.	TOTAL		ENCLOSURE		ENCLOSURE TYPE	ENCLOSURE HEIGHT	ELEMENT TYPE	REMARKS
		BTU	LENGTH	LENGTH	TYPE				
FT-1	778	4210	6'-6"	7'-6"	SLOPE TOP	12"	COPPER TUBE ALUM. FIN.	NOTE 5	
FT-2	778	2150	4'-0"	5'-0"		12"		NOTE 1 & 5	
FT-3	778	2150	4'-0"	5'-0"		12"		NOTE 1 & 5	
FT-4	837	675	1'-0"	2'-0"		12"		NOTE 4 & 5	
FT-5	837	345	1'-0"	2'-0"		12"		NOTE 4 & 5	
FT-6	837	2442	3'-0"	4'-0"		12"		NOTE 4 & 5	
FT-7	837	2442	3'-0"	4'-0"		12"		NOTE 4	
FT-8	1575	5513	3'-6"	4'-0"		24"		NOTE 5	
FT-9	1575	5513	3'-6"	4'-0"		24"		NOTE 5	

NOTE
 1. CEILING MTD. UNITS SHALL BE INSTALLED INVERTED SEE NOTE #1 DWG M-1.
 2. ALL FLOOR MTD. UNITS SHALL BE INSTALLED 12" ABOVE FIN. FLOOR.
 3. PROVIDE END CAPS FOR ALL FINNED TUBE RADIATION COVERS
 4. PROVIDE AIR VENTS AT HIGH POINT IN PIPING ON FINNED TUBE FT. - 4, 5, 6 & 7.
 5. PROVIDE ELEMENT LENGTH & ENCLOSURE REQUIRED TO PROVIDE THE MINIMUM TOTAL BTU/UNIT.

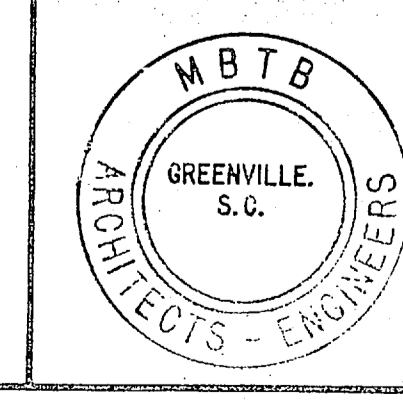
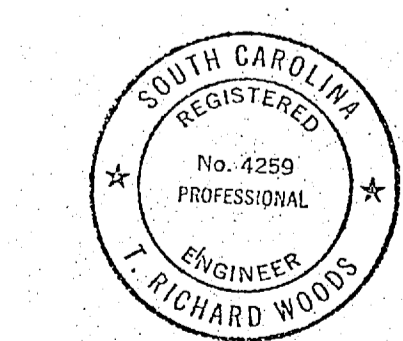
MARK	M.B.H.	FLOW (GPM)	HEAD (FT.)	WATER TEMP. (°F)	ENT. AIR (°F)	LVG. AIR (°F)	COIL SIZE	REMARKS
DH-2	16.1	1.6	0.5		65.0	76.0	24" X 12"	

MARK	APPROX. CFM	STATIC PRESS.	TYPE	MAX. TIP SPEED	APPROX. H.P.	ELECT. CHARACT.	REMARKS
E.F.-2	3850	.125"	ROOF	4505	3/4	208/3/60	
E.F.-3	95	.90"	WALL	3210	1/2	120/1/60	W/WALL GRILLE
E.F.-4	715	.125"	ROOF	3285	1/2	120/1/60	
E.F.-5	1200	.25"	ROOF	2905	1/6	120/1/60	NOTE 1
E.F.-6	365	.125"	ROOF	2680	1/25	120/1/60	
E.F.-7	175	.25"	ROOF	2480	1/20	120/1/60	
E.F.-8	1350	.125"	ROOF	3990	1/4	120/1/60	
E.F.-9	800	.25"	ROOF	3205	1/6	120/1/60	
E.F.-10	170	.25"	WALL	2680	1/25	120/1/60	

1. E.F.-5 SHALL BE EXPLOSION PROOF AND CORROSION RESISTANT.
 2. EXHAUST DUCTWORK TO ROOF EXHAUST FANS SHALL TRANSITION FROM SIDE INDICATED TO THE SIDE OF EXHAUST FAN OPENING.

MARK	FLOW (GPM)	HEAD (FT.)	H.P.	SPEED (RPM)	SERVICE	REMARKS
P-2	1 1/2 *	115	1 1/2	1750	STM. COND.	

* DUPLEX PUMP UNIT @ 1 1/2 GPM & 1 1/2 H.P. EACH.



RECORD DRAWING
DATE: 16 OCT. 1958

M-5

DEPARTMENT OF THE NAVY NAVAL FACILITIES ENGINEERING COMMAND
 NAVAL STATION ATLANTIC DIVISION NORFOLK, VIRGINIA

DES. WOODS DR. MATHEIS CHR. WOODS
 PROJ. MGR. WOODS ENGR. SHINES
 SUBMITTED BY: DATE: 10/14/58
 FIRM MEMBER PRINCIPAL
 ETD. FE. 222 RVS. 3000
 NO. DIR. 3000

MCB CAMP LEJEUNE, N.C.
 COMBAT VEHICLE MAINTENANCE SHOPS
 HVAC SCHEDULES AND DETAILS
 2d RADIO BATTALION

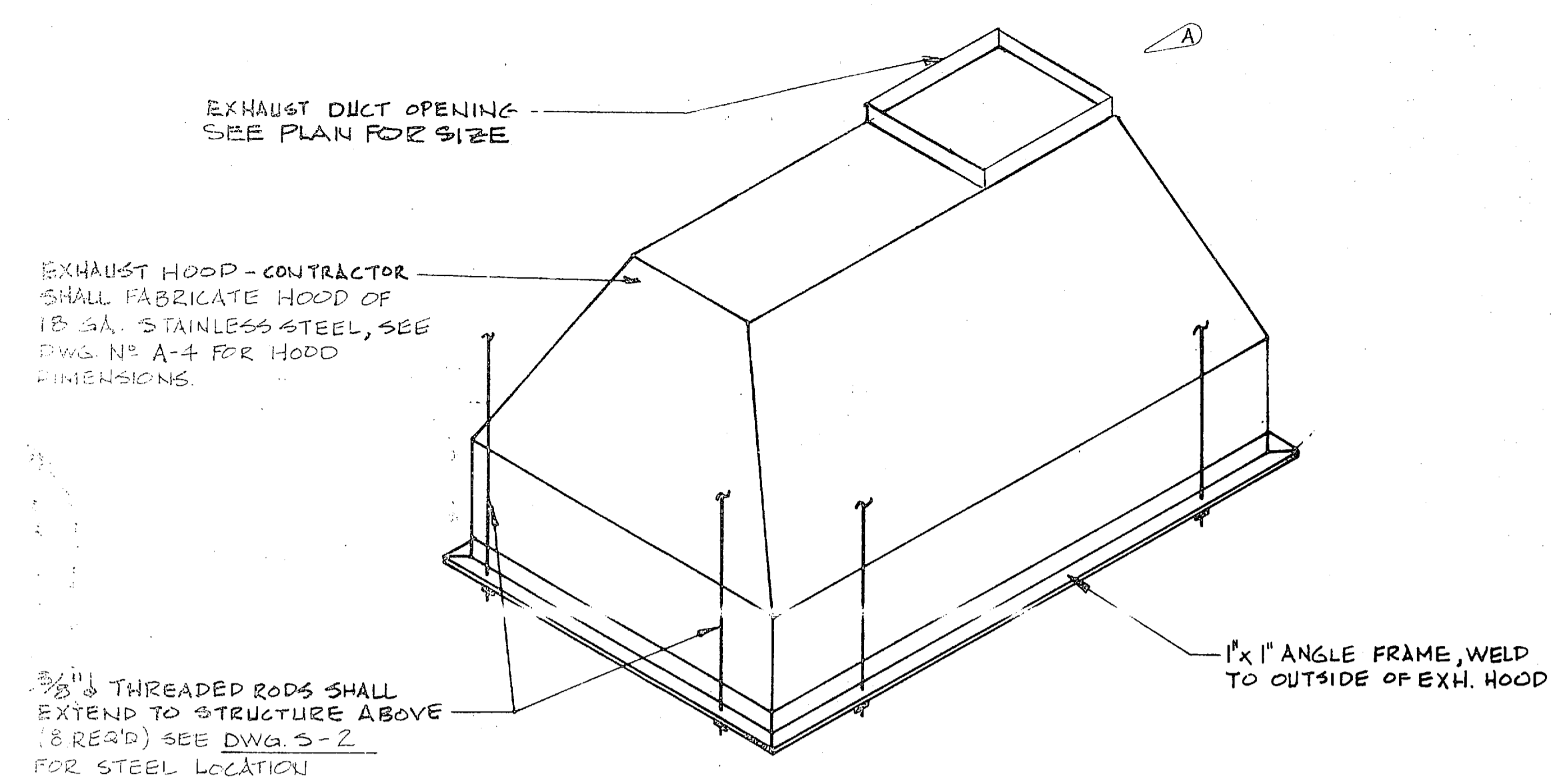
OFFICER IN CHARGE: DATE: 10/14/58
 APPROVED: DATE: 10/14/58

SIZE: CODE IDENT. NO. NAVFAC DRAWING NO.
 F 80091 4 050 088

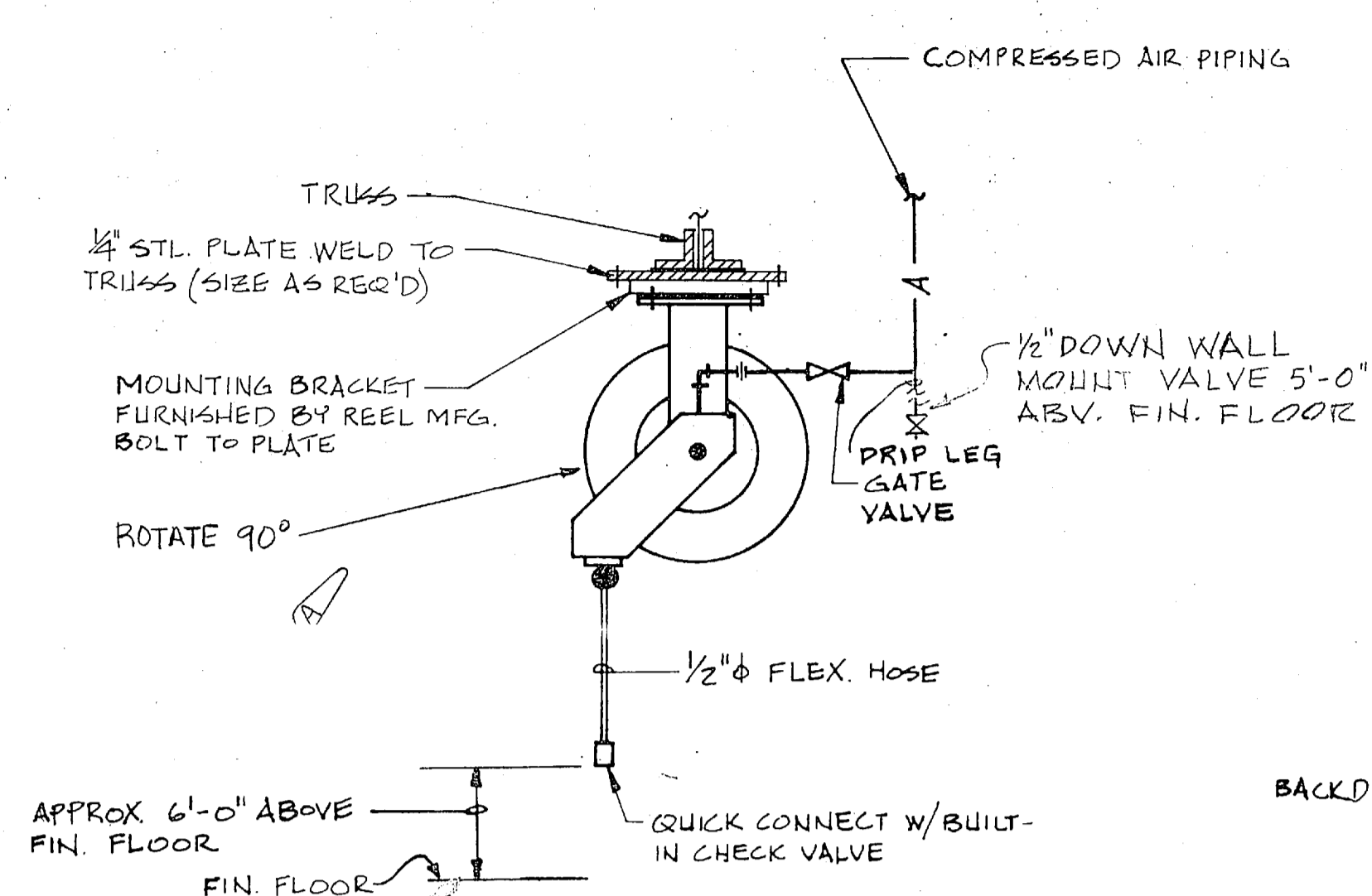
CONSTR. CONTR. NO. N62470-79-B-9215
 SCALE AS SHOWN SPEC. 05-79-9215 SHEET 34 OF 77

E.F.D. DWG. NO. 150088

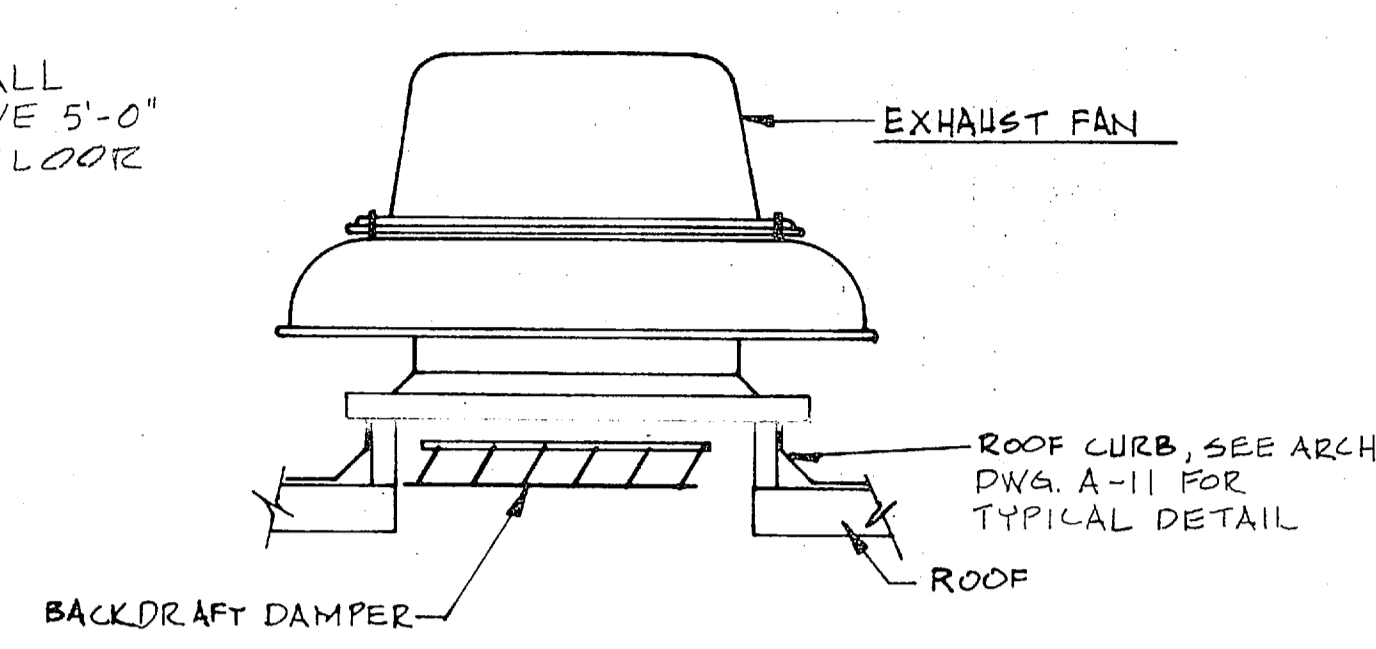
REVISIONS			
SYM	DESCRIPTION	DATE	APPROVED
A	REVISED "AS BUILT"	10/14/80	RMP



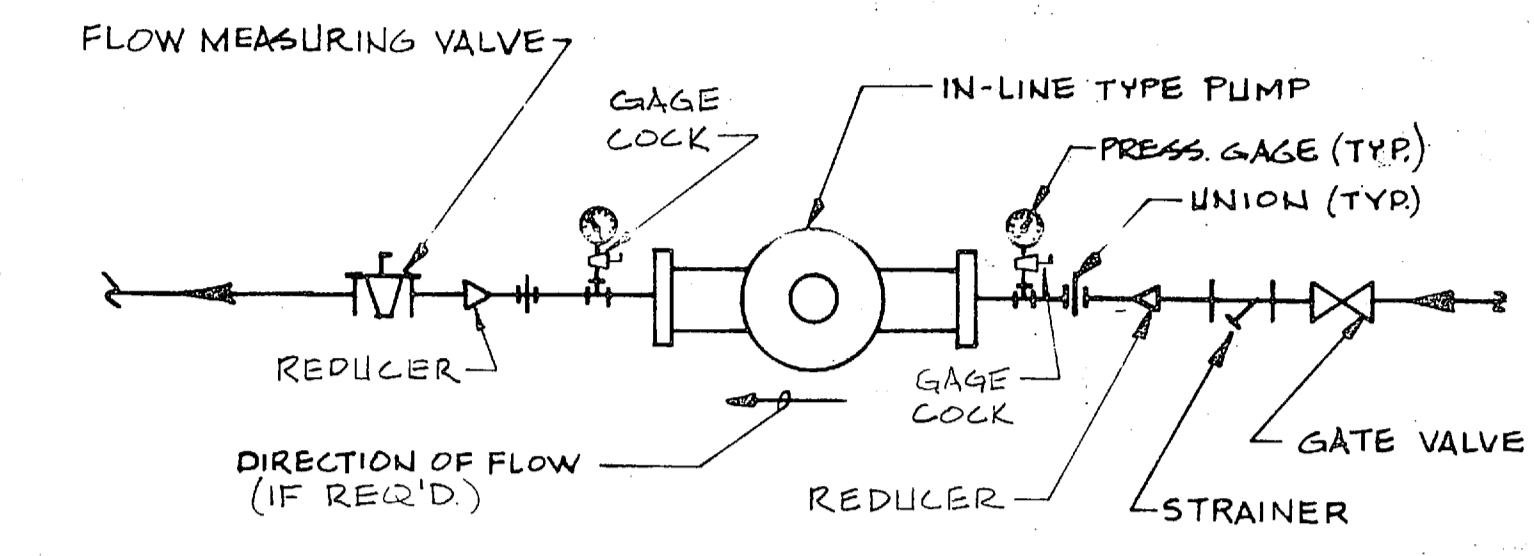
BATTERY SINK EXHAUST HOOD DETAIL NO SCALE



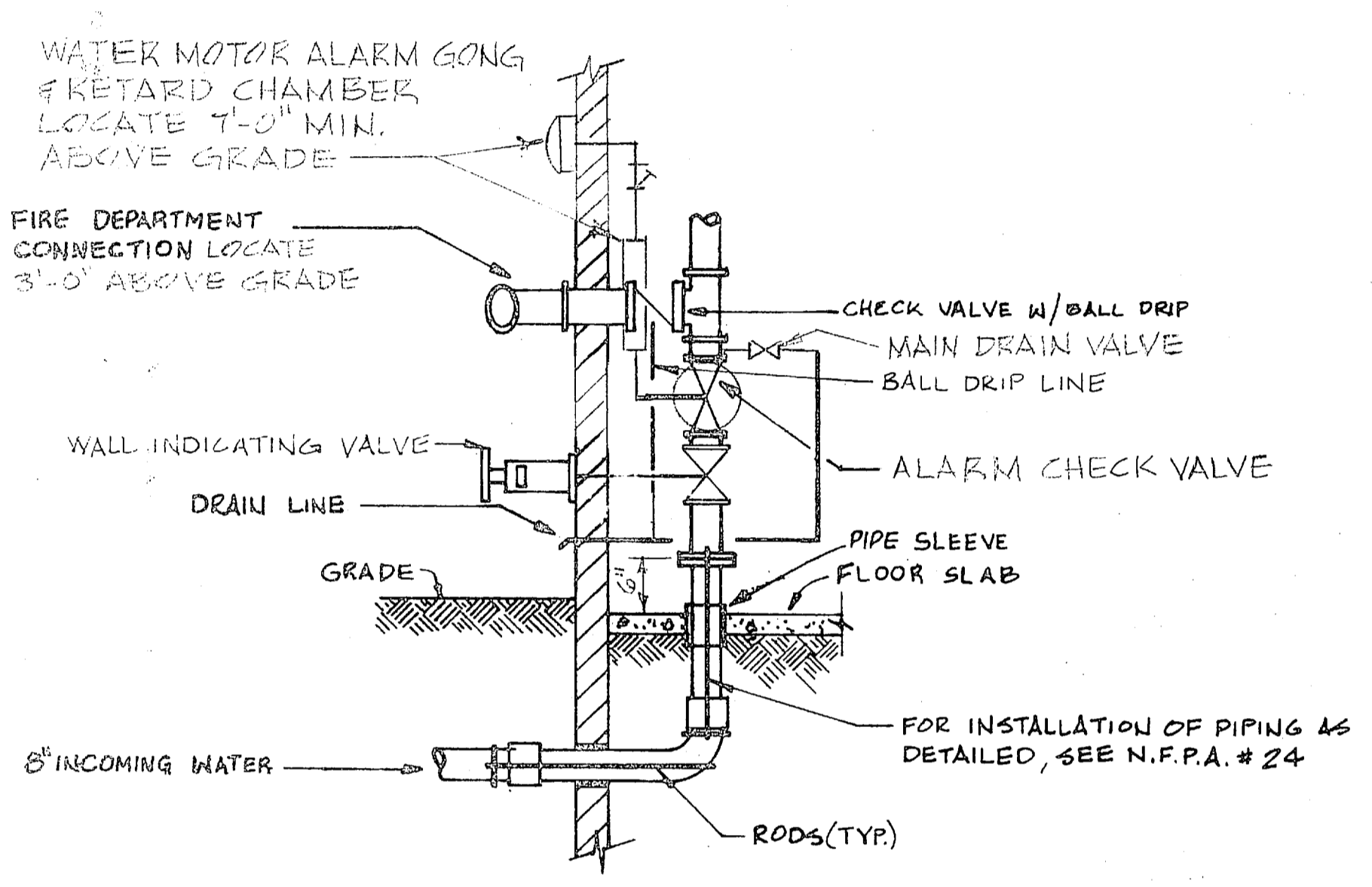
AIR HOSE REEL DETAIL NO SCALE



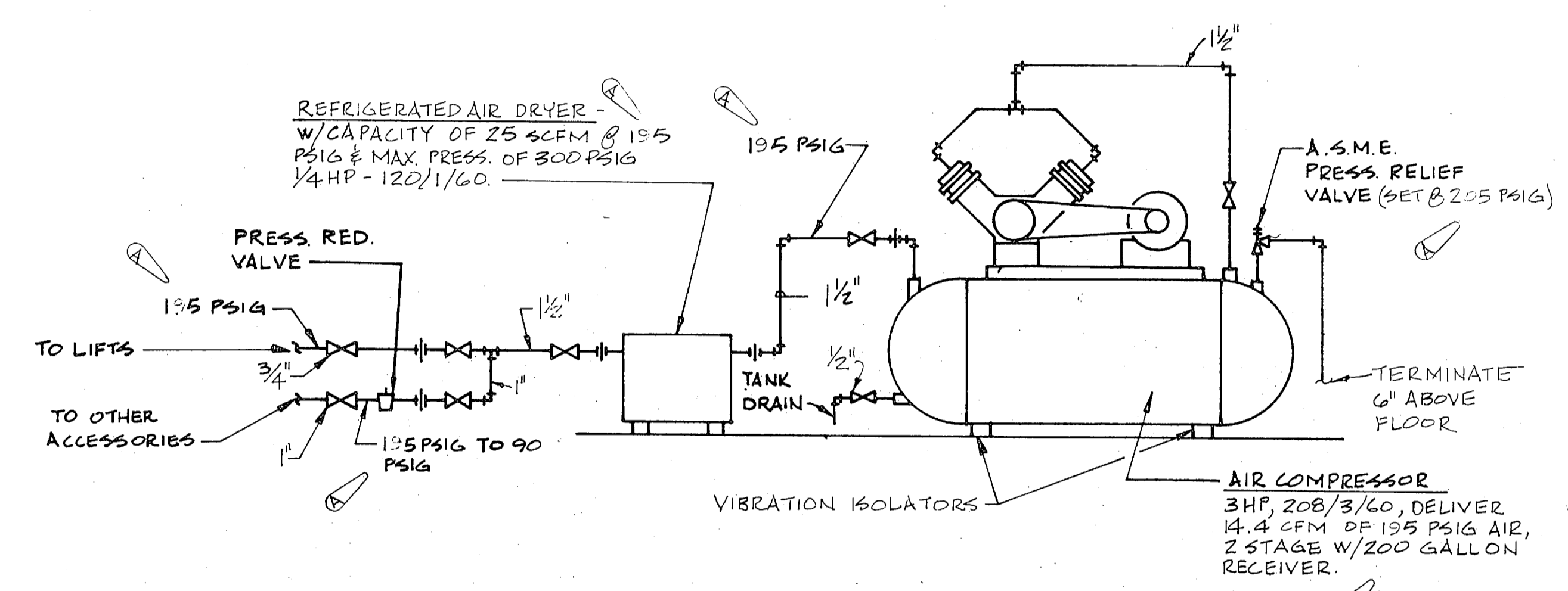
EXHAUST FAN DETAIL NO SCALE



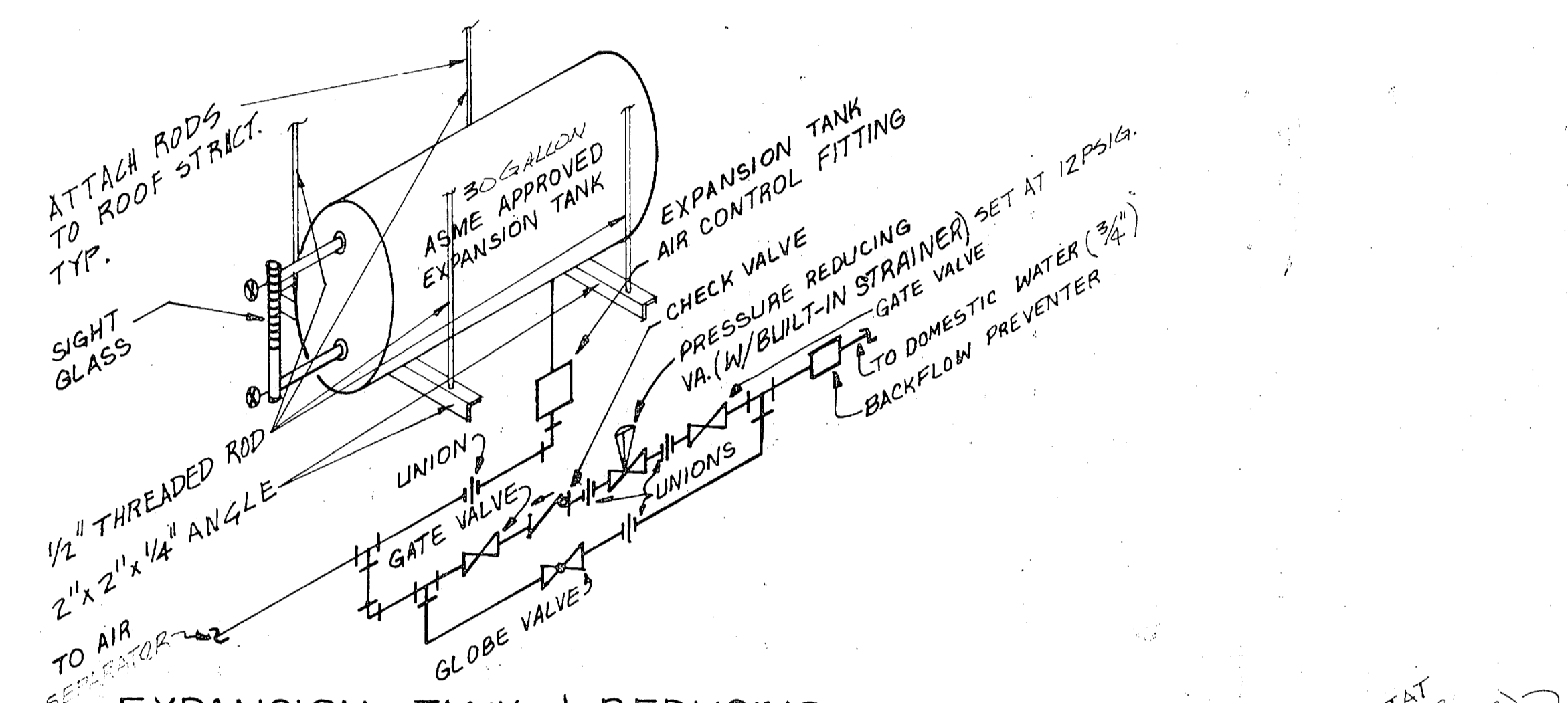
HOT WATER PUMP-PIPING SCHEMATIC NO SCALE



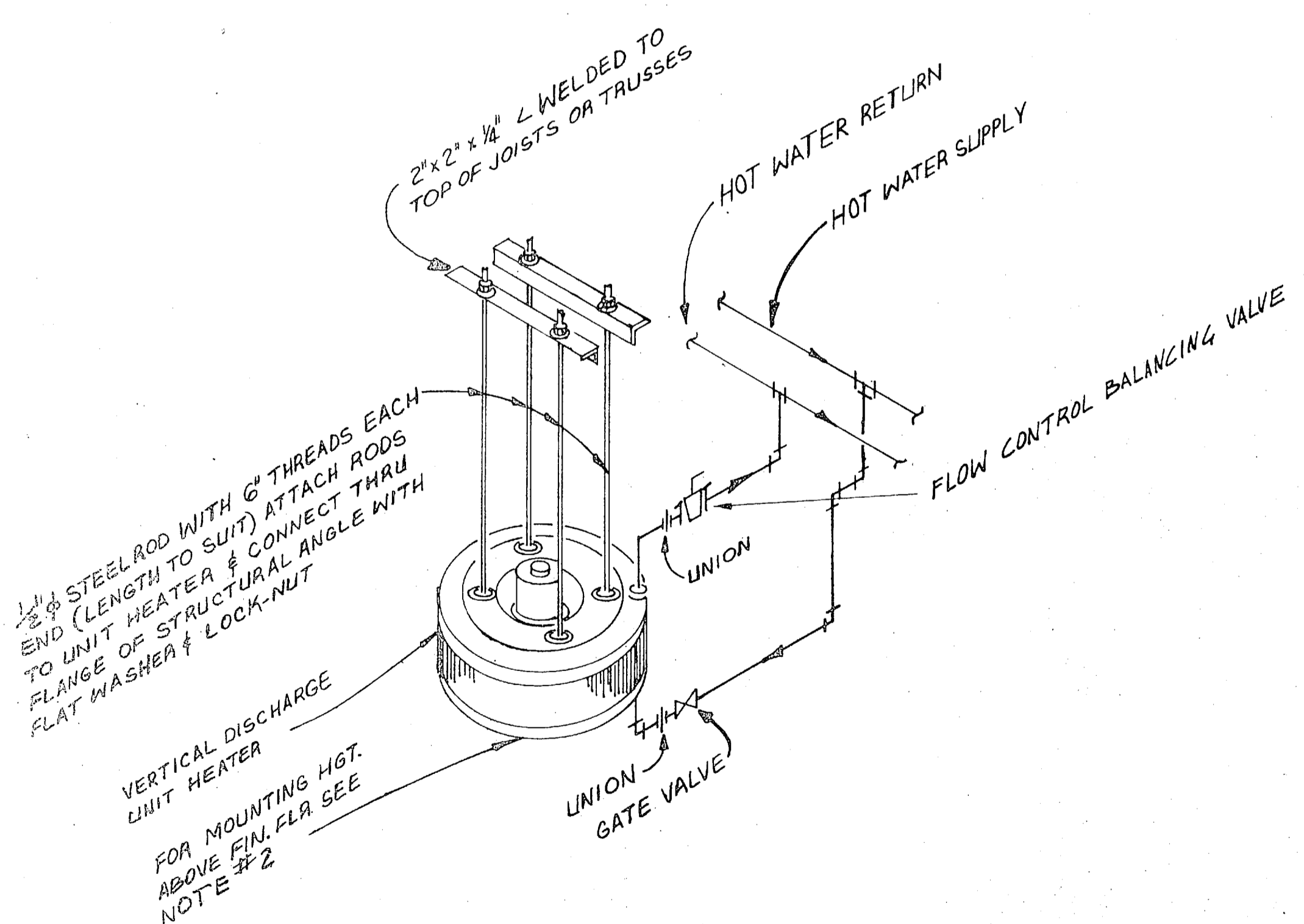
SPRINKLER PIPING RISER DETAIL NO SCALE



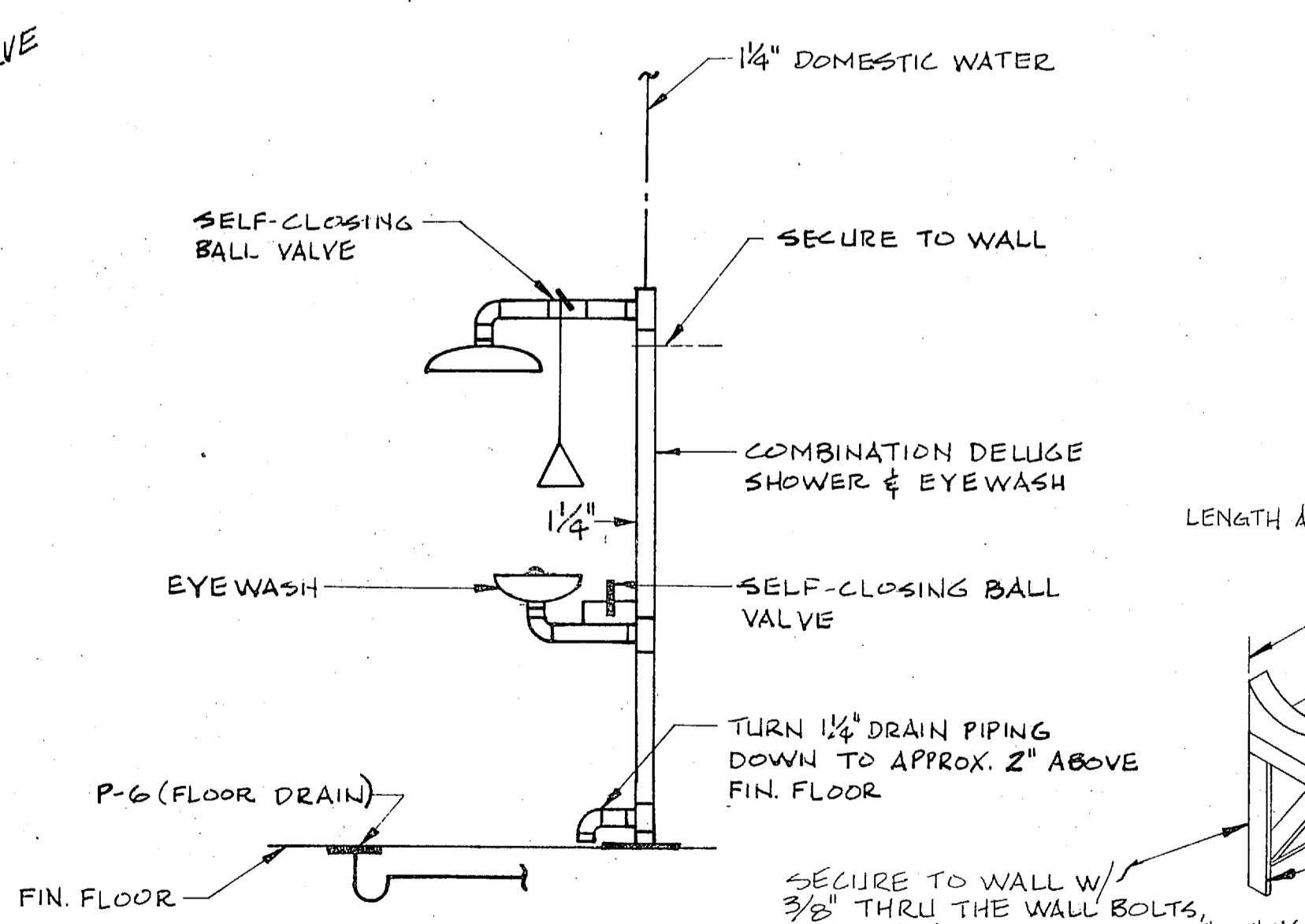
COMPRESSED AIR PIPING DIAGRAM NO SCALE



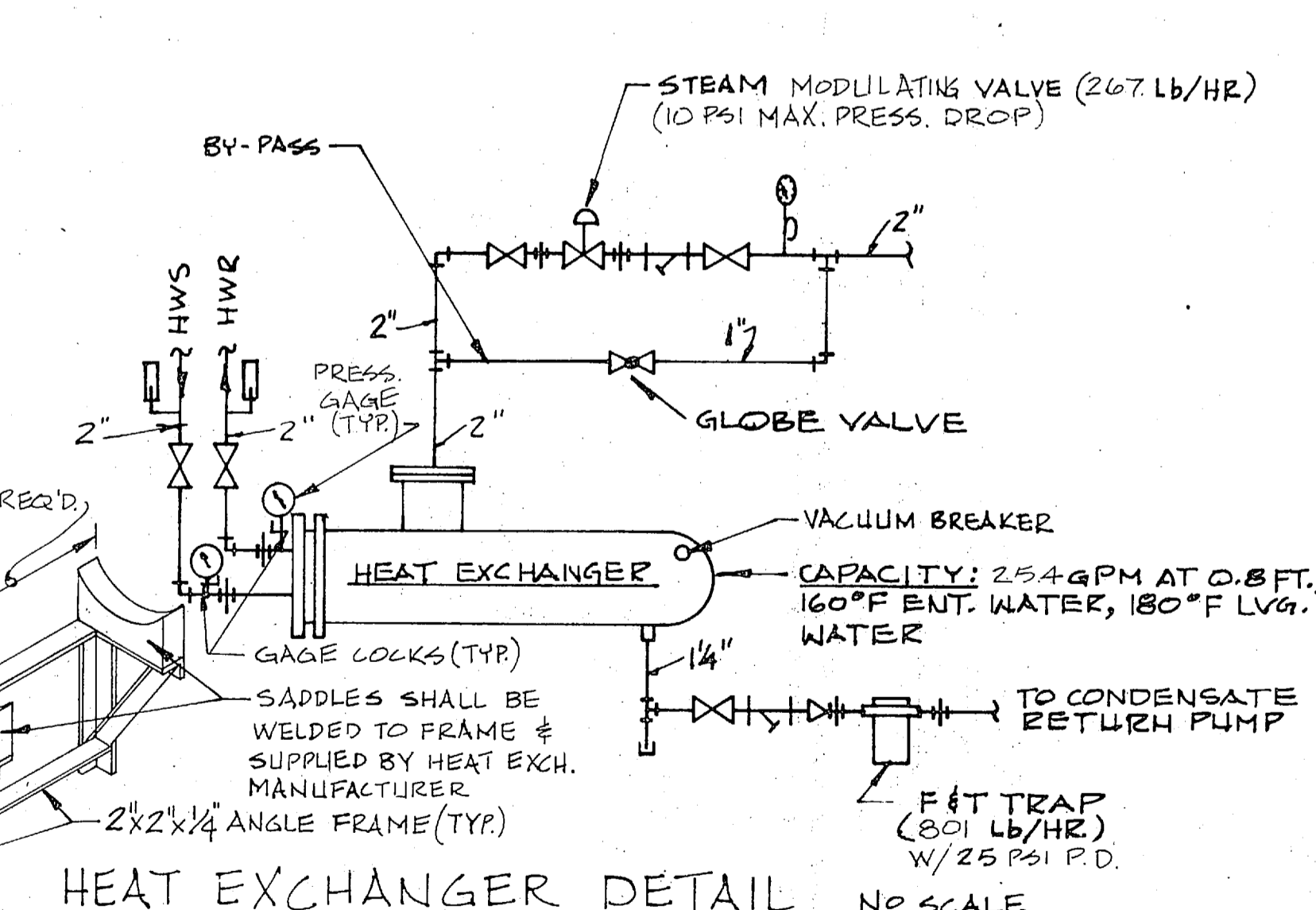
EXPANSION TANK & REDUCING VALVE ASSEMBLY DETAIL NO SCALE



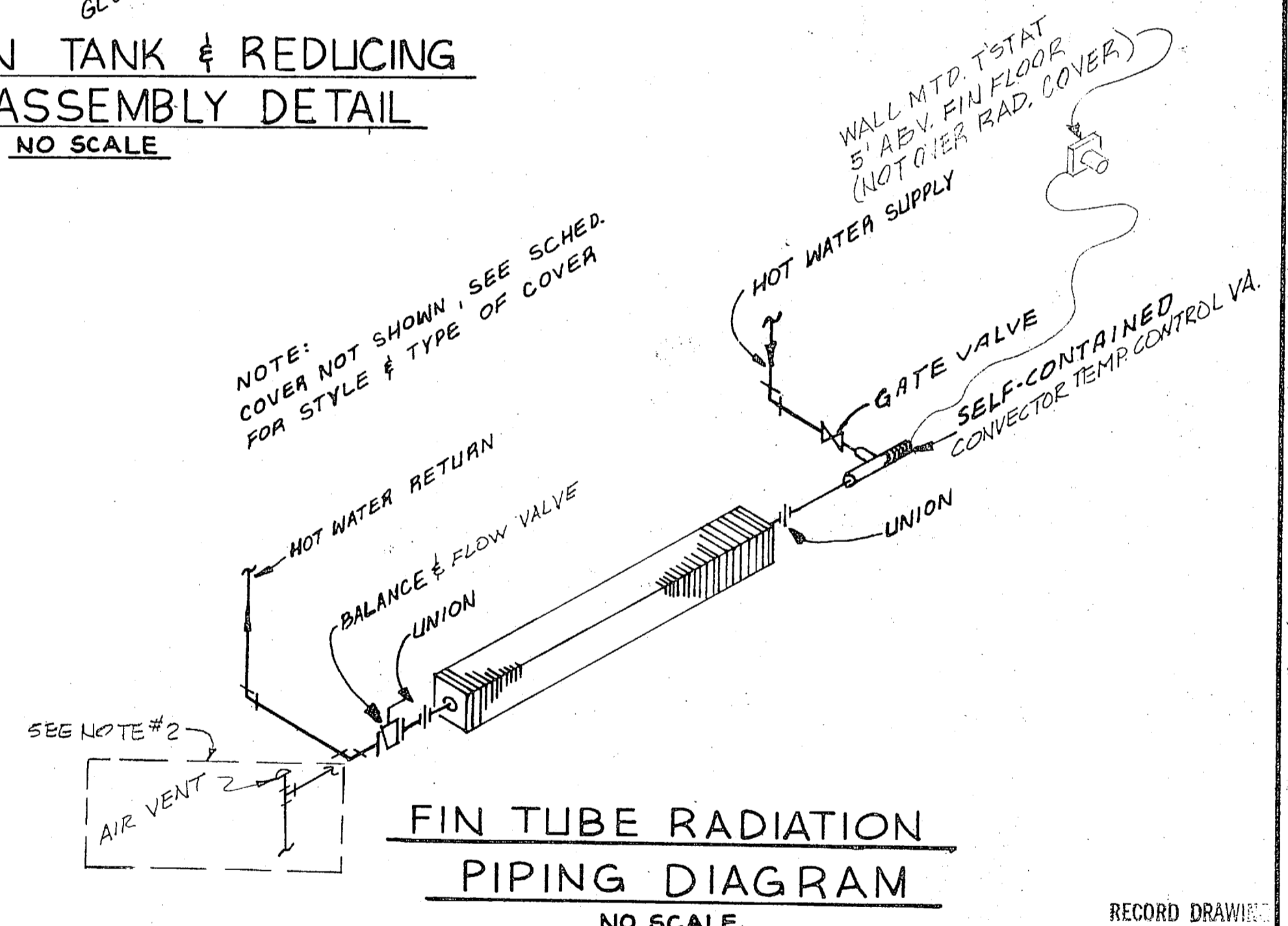
TYPICAL VERTICAL HOT WATER UNIT HEATER NO SCALE



DELUGE SHOWER & EYEWASH DETAIL NO SCALE



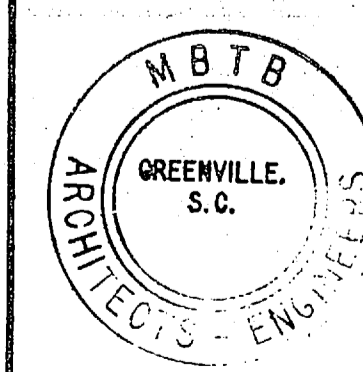
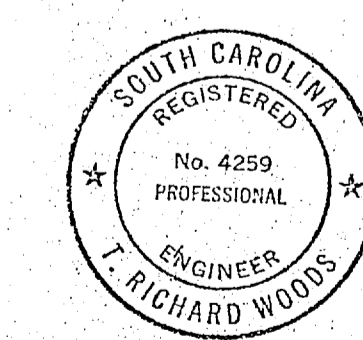
HEAT EXCHANGER DETAIL NO SCALE



FIN TUBE RADIATION PIPING DIAGRAM NO SCALE

NOTES:
 1. HORIZONTAL UNIT HEATERS TYPICAL
 2. VERTICAL UNIT HEATERS SHALL BE INSTALLED W/ BOTTOM OF DIFFUSER, EVEN WITH OR ABOVE THE BOTTOM CHORD OF TRUSSES. HORIZONTAL UNIT HEATERS SHALL BE INSTALLED WITH BOTTOM 9'-0" ABOVE FINISHED FLOOR.

NOTE:
 1. FINNED TUBE RADIATION SHALL BE INSTALLED WITH BOTTOM OF COVER 1'-0" ABOVE FLOOR, UNLESS NOTED OTHERWISE.
 2. PROVIDE AIR VENT ON LEAVING SIDE OF FINNED TUBE RADIATION FED FROM BELOW.



MBTB ARCHITECTS-ENGINEERS GREENVILLE, SOUTH CAROLINA 29602		DEPARTMENT OF THE NAVY ATLANTIC DIVISION	
		NAVAL STATION MCB	NAVAL FACILITIES ENGINEERING COMMAND CAMP LEJUNE, N.C.
DESIGNED BY: DR. MATHIAS CHECKED BY: CHR. WOODS	SUBMITTED BY: DATE:	FIRM MEMBER PRINCIPAL	NAVFAC DRAWING NO. 4050083
APPROVED: DATE:	OFFICER IN CHARGE: DATE:	SIZE CODE IDENT. NO. F 80091	NAVFAC DRAWING NO. 4050083
FOR EFD FOR COMMANDER, NAVFAC	SCALE: AS SHOWN SPEC. 05-79-9215	CONSTR. CONTR. NO. N 62470-70-B-9215	SHEET 35 OF 79

RECORD DRAWING
 DATE 18 OCT. 1980

M-6

EFD. DWG. NO.
 150029

