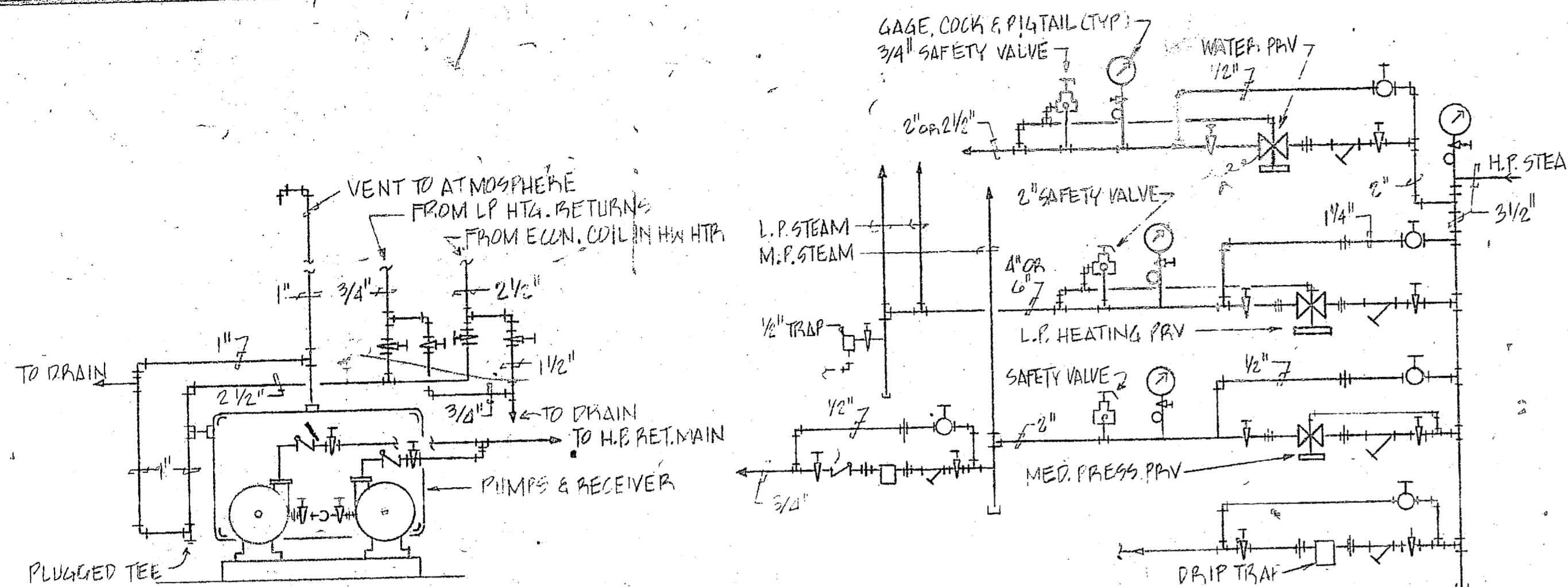
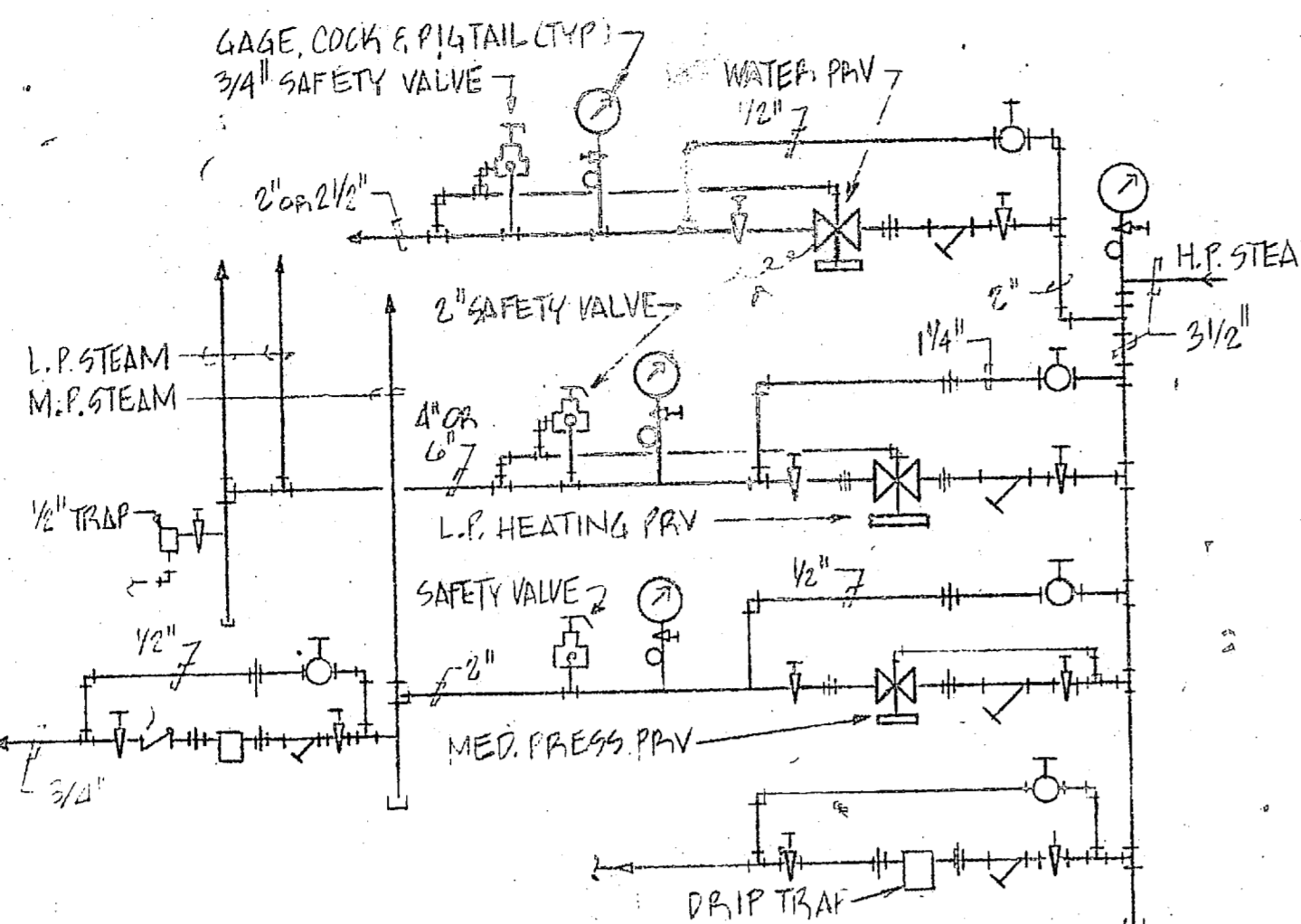


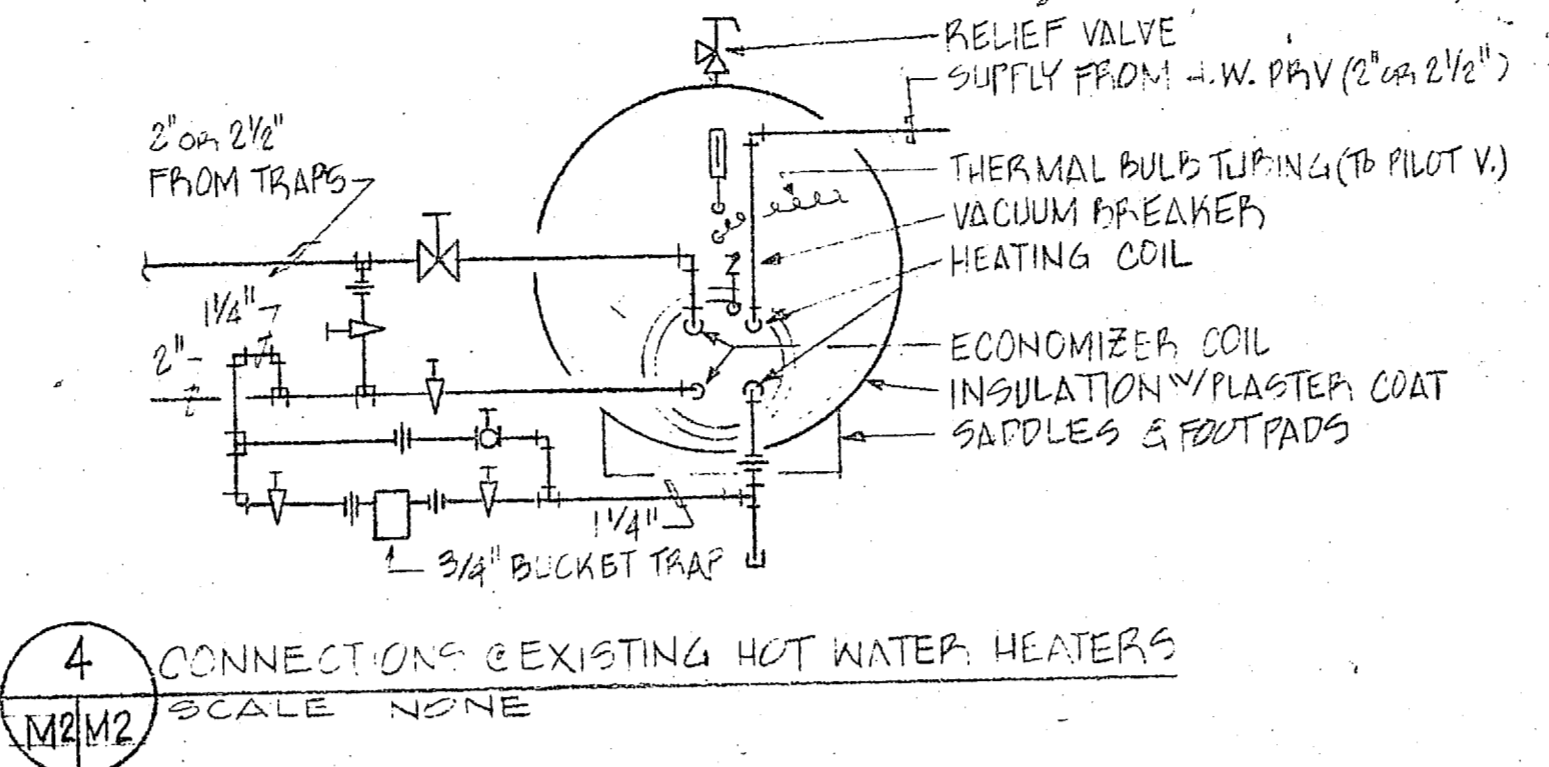
REV	DESCRIPTION	PREP BY	DATE	APPROVED
1	GENERAL REVISION	GHS	2/15/85	C/S



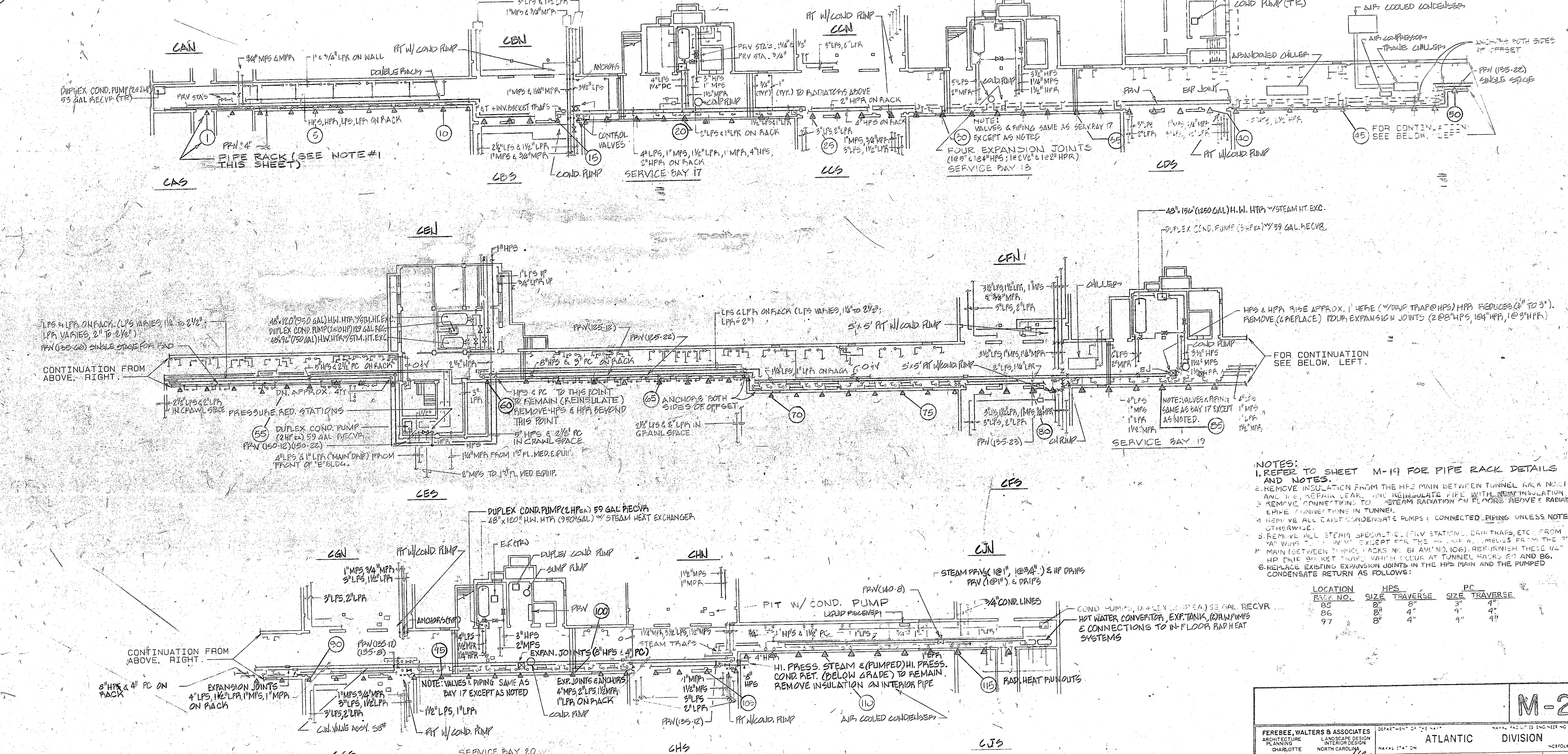
2 TYPICAL CONDENSATE PUMP CONNECTIONS (EXISTING)
SCALE NONE



3 STEAM PRESSURE REDUCING STATION (EXISTING)
SCALE NONE



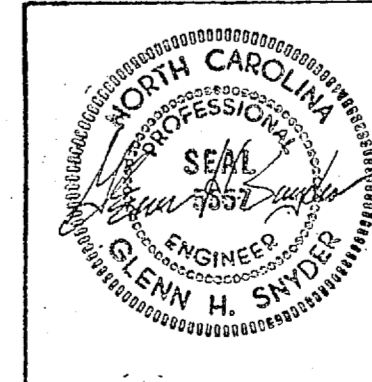
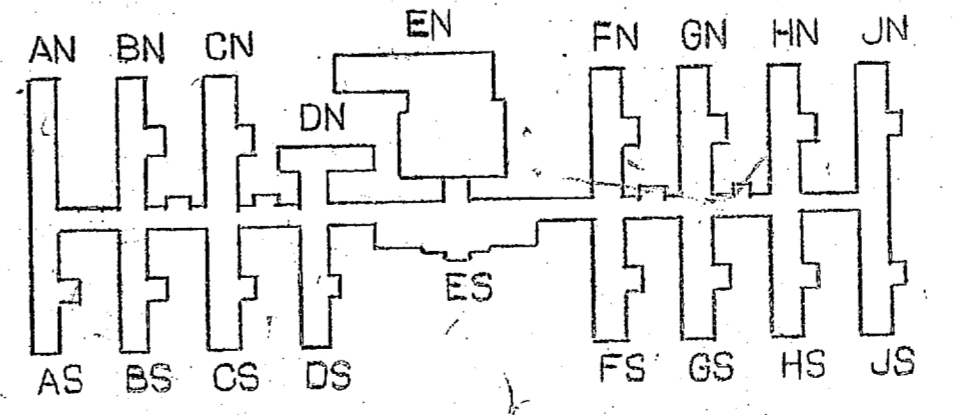
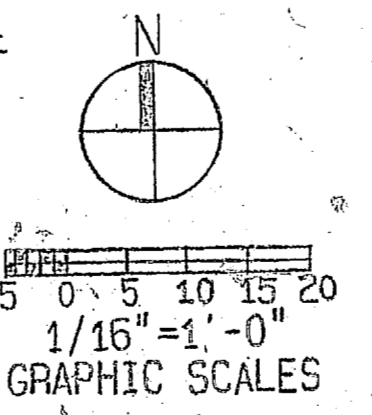
4 CONNECTIONS TO EXISTING HOT WATER HEATERS
SCALE NONE



- NOTES:**
- REFER TO SHEET M-19 FOR PIPE RACK DETAILS AND NOTES.
 - REMOVE INSULATION FROM THE HPS MAIN BETWEEN TUNNEL RACK NO. 1 AND 10. REPAIR LEAKS AND REINSULATE PIPE WITH NEW INSULATION.
 - REMOVE CONNECTIONS TO STEAM RADIATION ON FLOORS ABOVE & RADIATION PIPE CONNECTIONS IN TUNNEL.
 - REMOVE ALL EXISTING CONDENSATE PUMPS & CONNECTED PIPING UNLESS NOTED OTHERWISE.
 - REMOVE ALL STEAM SPECIALTY (PRV STATIONS, DRIP TRAPS, ETC.) FROM 'A' WINGS UNLESS NOTED EXCEPT FOR THE 1" HPS MAINS PER THE 'A' MAINS (BETWEEN TUNNEL RACKS NO. 61 AND NO. 106). REPAIR THEM IN THESE 'A' HPS MAINS BETWEEN TUNNEL RACKS NO. 61 AND NO. 106 AT TUNNEL RACKS 61 AND 86.
 - REPLACE EXISTING EXPANSION JOINTS IN THE HPS MAIN AND THE PUMPED CONDENSATE RETURN AS FOLLOWS:

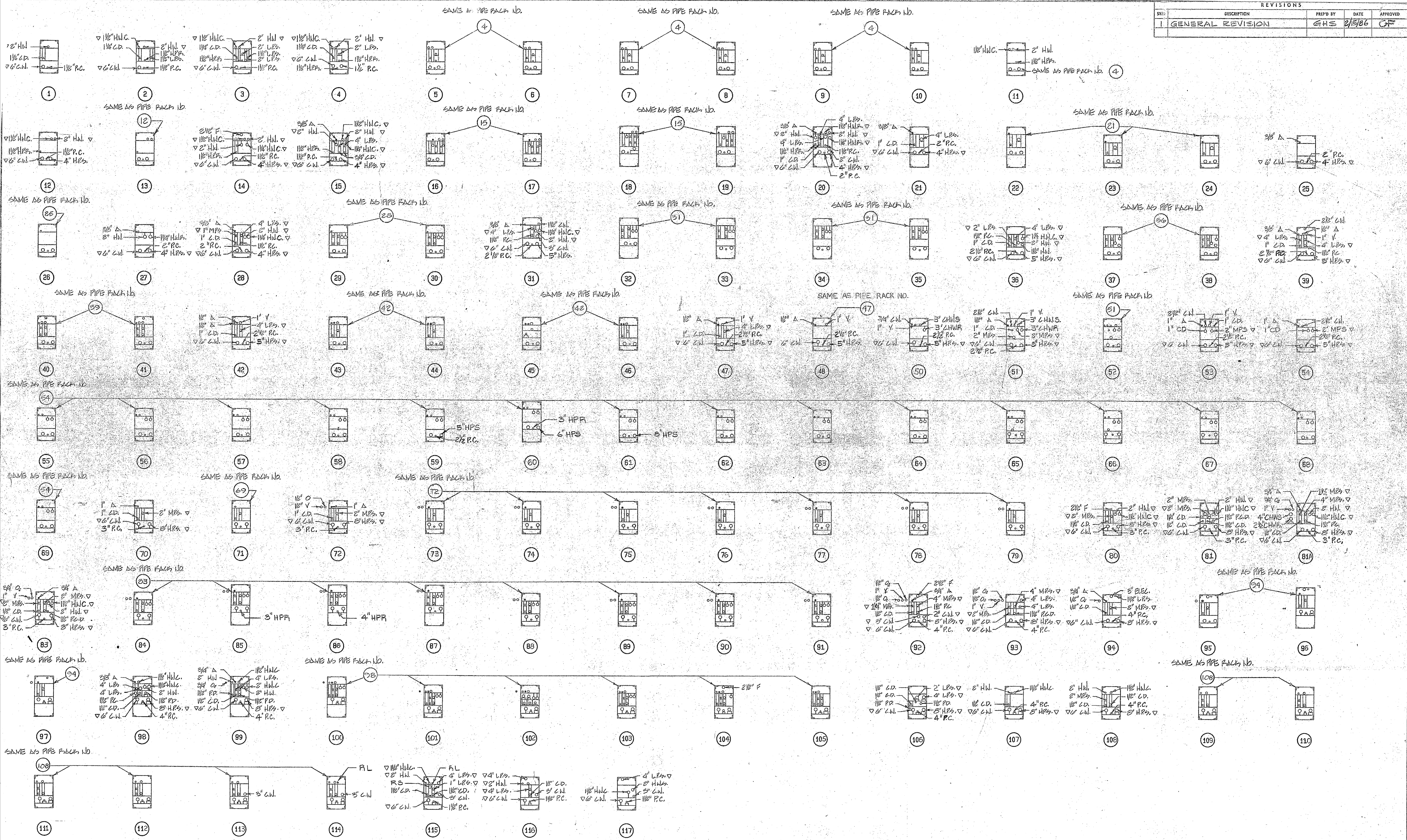
LOCATION	HPS	PC
TRV. NO.	SIZE	SIZE
85	2"	3"
86	4"	4"
97	4"	4"

DEMOLITION PLAN-TUNNEL
1/16" = 1'-0"



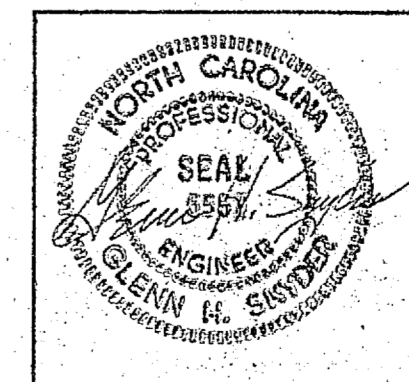
FEREBEE, WALTERS & ASSOCIATES ARCHITECTURE PLANNING CHARLOTTE NORTH CAROLINA		DEPARTMENT OF THE NAVY ATLANTIC DIVISION NAVAL FACILITIES ENGINEERING COMMAND NORFOLK, VIRGINIA	
PROJECT NO. 4124270 SUBMITTED BY: [Signature] FINAL MEMBER: [Signature] HD: [Signature] DIR: [Signature]		MARINE CORPS BASE, CAMP LEJEUNE, NORTH CAROLINA CONVERT HOSPITAL TO DIVISION HEADQUARTERS DEMOLITION - TUNNEL	
APPROVED: [Signature] DATE: 4/17/85 OFFICER IN CHARGE		SIZE: CODE: 80091 NAVFAC DRAWING NO. 4124270 CONST. CONTR. NO. N62470-82-B-2243	
APPROVED FOR EPO FOR COMMANDER, NAVFAC: [Signature] DATE: 17 July 85		SHEET 115 OF 243	

REVISIONS				
NO.	DESCRIPTION	PREP'D BY	DATE	APPROVED
1	GENERAL REVISION	CHS	8/15/86	[Signature]



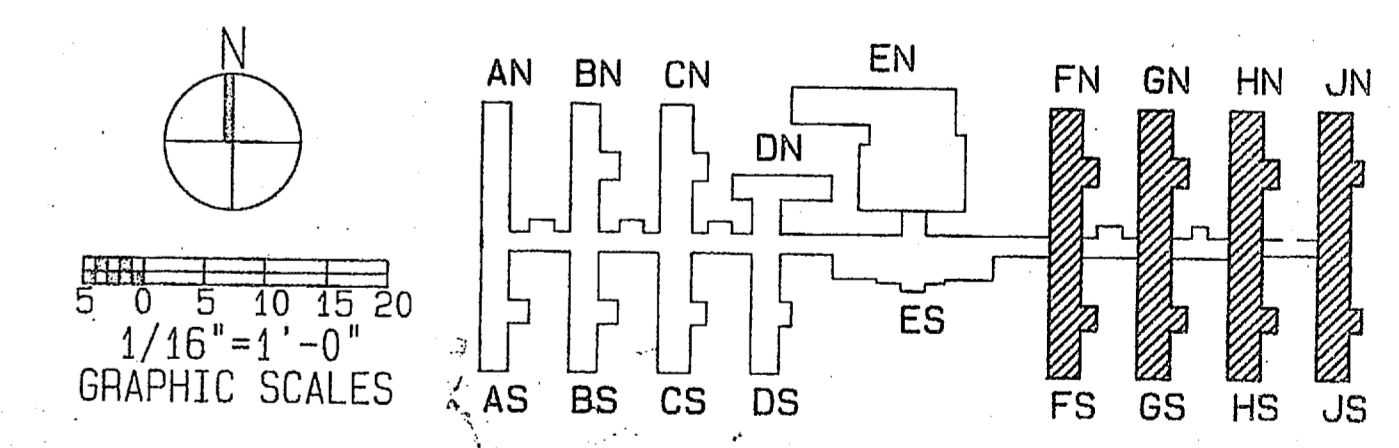
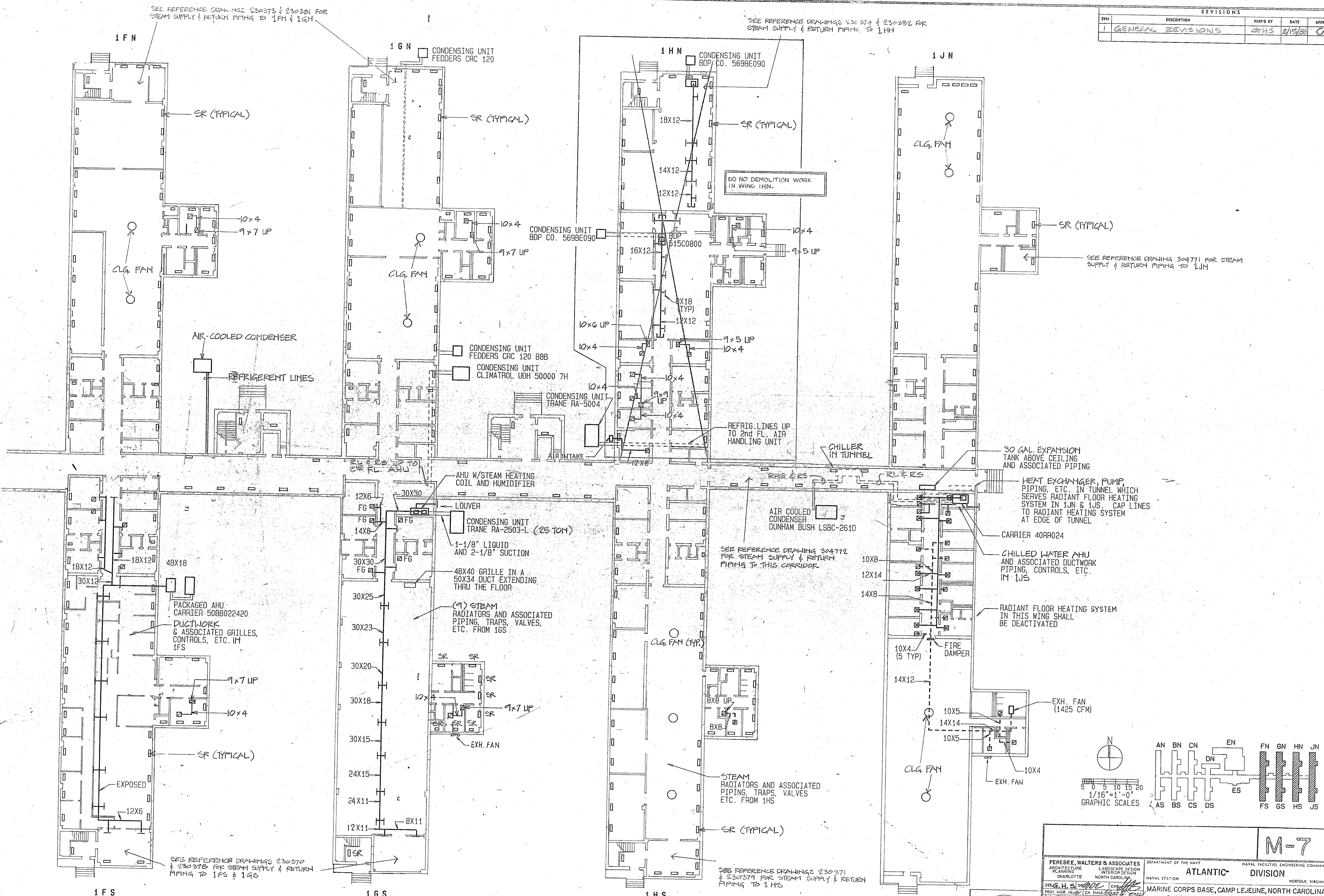
- NOTES:**
1. ALL PIPE RACKS ARE EXISTING AND ARE TO REMAIN.
 2. REFER TO ASBESTOS REMOVAL NOTES ON SHEET M-1.
 3. SEE PIPE RACK LOCATIONS ON SHEET M-2.
 4. SEE GENERAL NOTES 3, 4, 6 AND 7 ON SHEET M-45.
 5. THESE PIPES ARE SHOWN ON THE PLUMBING PLANS. SEE SHEETS P-10 AND P-36.
 6. SEE GENERAL NOTES 8, 9 AND 10 ON SHEET M-45.

LEGEND			
A	AIR (P)	HWR	HOT WATER RETURN
CD	STEAM CONDENSATE DRAIN	HWS	HOT WATER SUPPLY
CHWR	CHILLED WATER RETURN	LPS	LOW PRESSURE STEAM SUPPLY
CHWS	CHILLED WATER SUPPLY	O2	OXYGEN (P)
CW	COLD WATER (DOMESTIC) (P)	PC	PUMPED CONDENSATE
F	FIRE (P)	RL	REFRIGERANT LIQUID
HPR	HIGH PRESSURE RETURN	RS	REFRIGERANT SUCTION
HPS	HIGH PRESSURE SUPPLY	V	VACUUM (P)
HW	HOT WATER (DOMESTIC) (P)	(P)	SEE NOTE NO. 5 ON SHEET M-51.
HWC	HOT WATER CIRCULATING (DOMESTIC) (P)	∇	ASBESTOS INSULATION TO BE REMOVED



FEREBEE, WALTERS & ASSOCIATES ARCHITECTURE PLANNING INTERIOR DESIGN CHARLOTTE NORTH CAROLINA		DEPARTMENT OF THE NAVY NAVAL FACILITIES ENGINEERING COMMAND ATLANTIC DIVISION NAVAL STATION NORFOLK, VIRGINIA	
DES. BY: [Signature] DATE: 6/16/85 PROJ. MGR: [Signature] ICH: [Signature]		MARINE CORPS BASE, CAMP LEJEUNE, NORTH CAROLINA CONVERT HOSPITAL TO DIVISION HEADQUARTERS DEMOLITION-TUNNEL PIPE RACKS	
APPROVED: [Signature] DATE: 1/17/85 OFFICER IN CHARGE		SIZE: 1/8" = 1'-0" NAVY CODE IDENT. NO.: 80091 NAVY FACILITIES ENGINEERING COMMAND NO. 412427	
FOR EFD FOR COMMANDER, NAVFAC		CONSTR. CONTR. NO. N62470-82-B-2243 SPEC. 05-82-2243 (REV.) SHEET 132 OF 223 EFD DWG. NO. 224257	

REVISIONS				
SYM	DESCRIPTION	PREP BY	DATE	APPROVED
1	GENERAL REVISIONS	CHS	2/15/82	CF



M-7

FEREBEE, WALTERS & ASSOCIATES ARCHITECTURE PLANNING INTERIOR DESIGN CHARLOTTE NORTH CAROLINA		DEPARTMENT OF THE NAVY ATLANTIC DIVISION NAVAL FACILITIES ENGINEERING COMMAND NORFOLK, VIRGINIA	
DESIGNED BY: <i>[Signature]</i> PROJECT NO. 230370 SUBMITTED BY: <i>[Signature]</i> DATE: 4/8/82 FIRM MEMBER: <i>[Signature]</i> PRINCIPAL NO. 121212 DIR. 11/82		MARINE CORPS BASE, CAMP LEJEUNE, NORTH CAROLINA CONVERT HOSPITAL TO DIVISION HEADQUARTERS DEMOLITION - 1ST FLOOR, EAST SIDE	
APPROVED: <i>[Signature]</i> DATE: 2/17/82 OFFICER IN CHARGE		SIZE: F CODE IDENT. NO.: 80091 NAVFAC DRAWING NO.: 4124275 CONSTR. CONTR. NO. N62470-82-B-2243 SCALES AS NOTED SPEC. 05-82-2243 (REV.) SHEET 120 OF 245	

