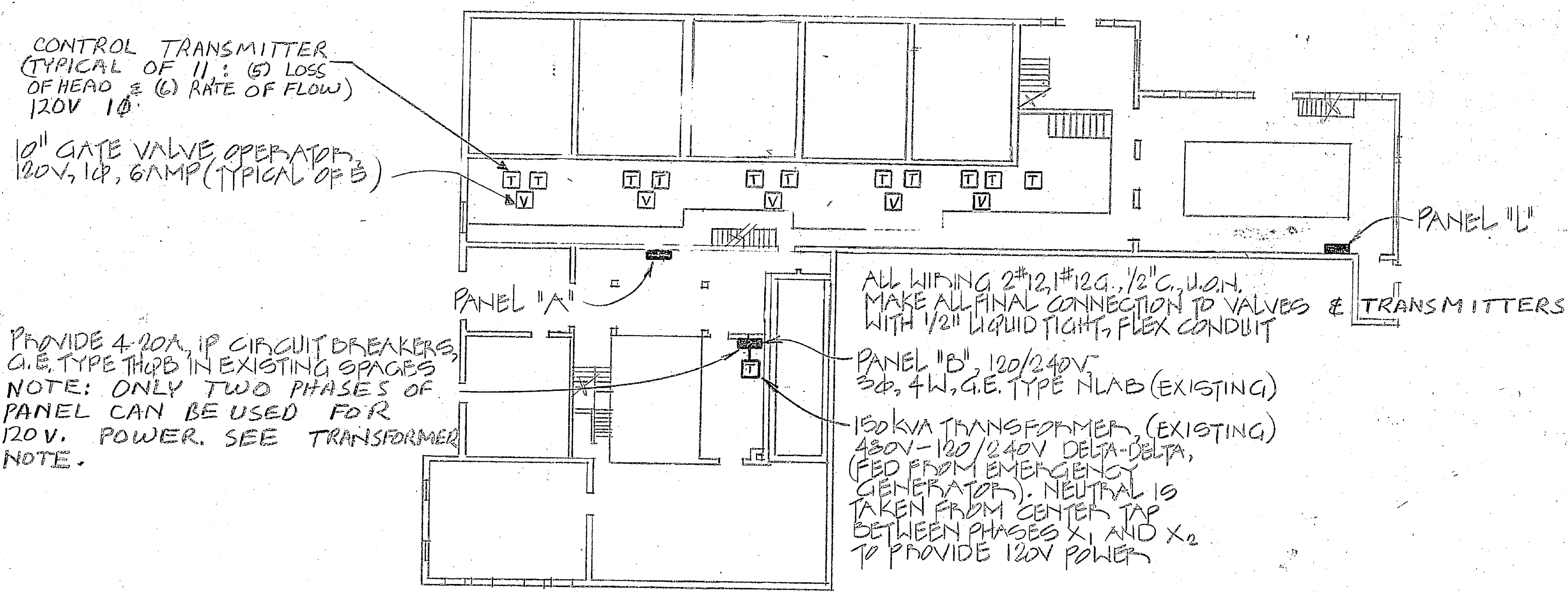


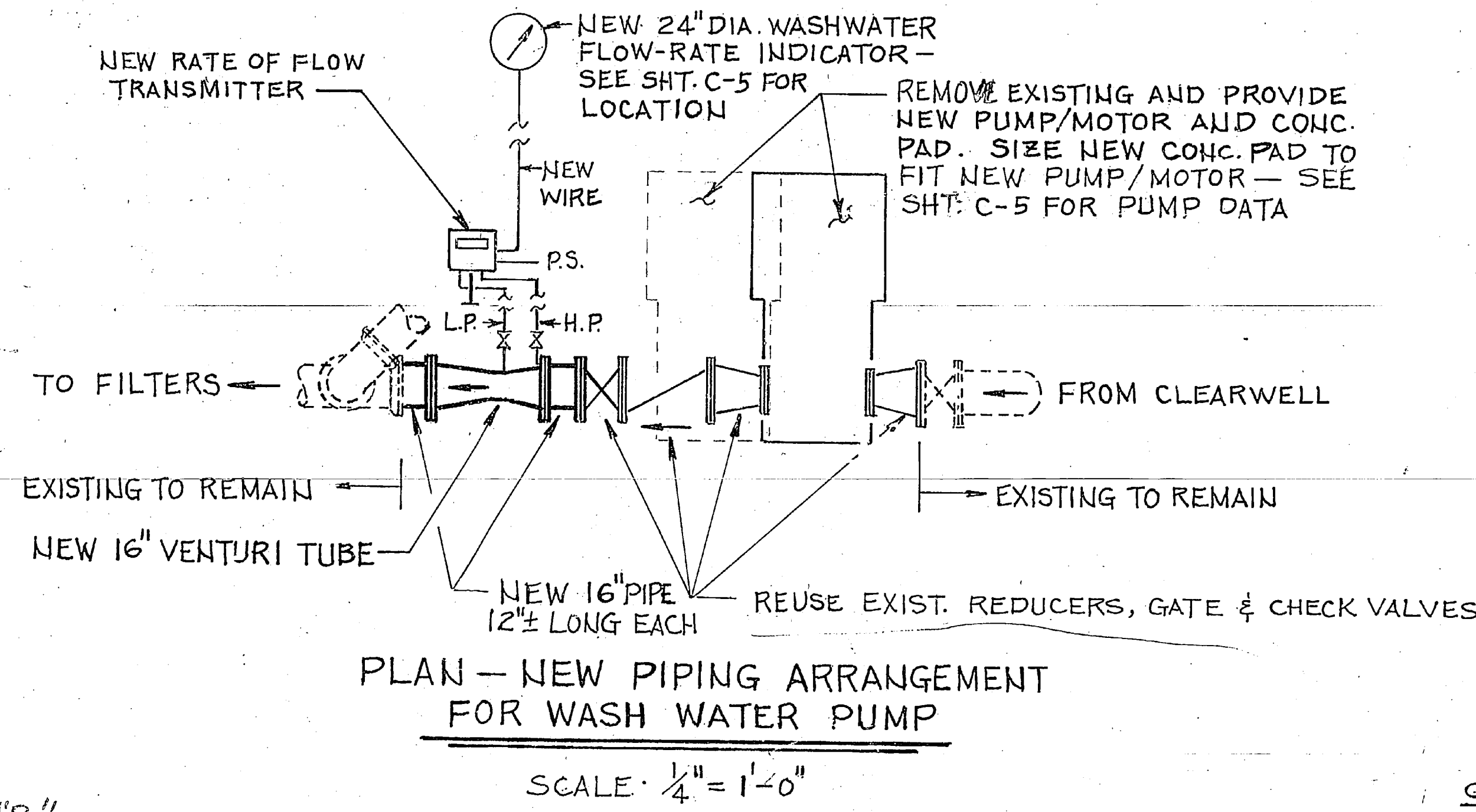
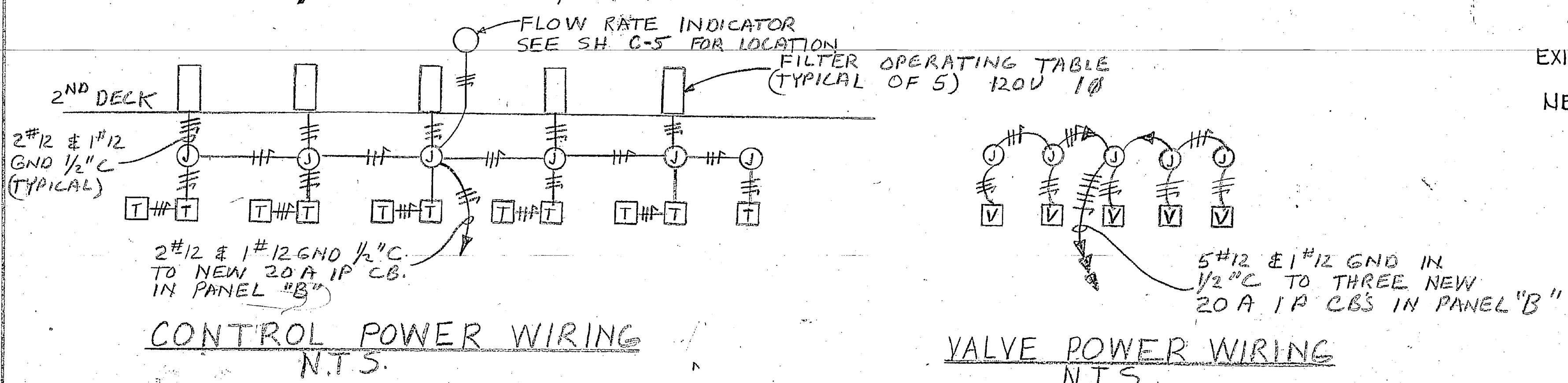
EXISTING FILTER EFFLUENT FLOW CONTROL AND TRANSMITTING DIAGRAM  
NOT TO SCALE

- ① SEDIMENT TRAP (EXIST. TO REMAIN)
  - ② PRESSURE REGULATOR (FROM 40 TO 20 PSI)
  - ③ LOSS OF HEAD TRANSMITTER
  - ④ RATE OF FLOW TRANSMITTER
  - ⑤ 2" φ x 6" L. C.A.H.
  - ⑥ MICRO VALVE W/ROLLER ACTUATED LEVER
  - ⑦ 10" G.V.-ACTUATED BY HYDRAULIC CYLINDER
  - ⑧ 10" B.V.-ACTUATED BY PNEUMATIC CYLINDER (SEE NOTE 5 ON SH. C-4)
  - ⑨ VENTURI FLOW MEASURING TUBE
  - ⑩ PNEUMATIC FLOW CONTROLLER (ENCLOSED)
  - ⑪ SQUARE ROOT EXTRACT RELAY (ENCLOSED)
- PNEUMATIC TUBING (REMOVE)  
— HYDRAULIC PIPING (TO REMAIN)

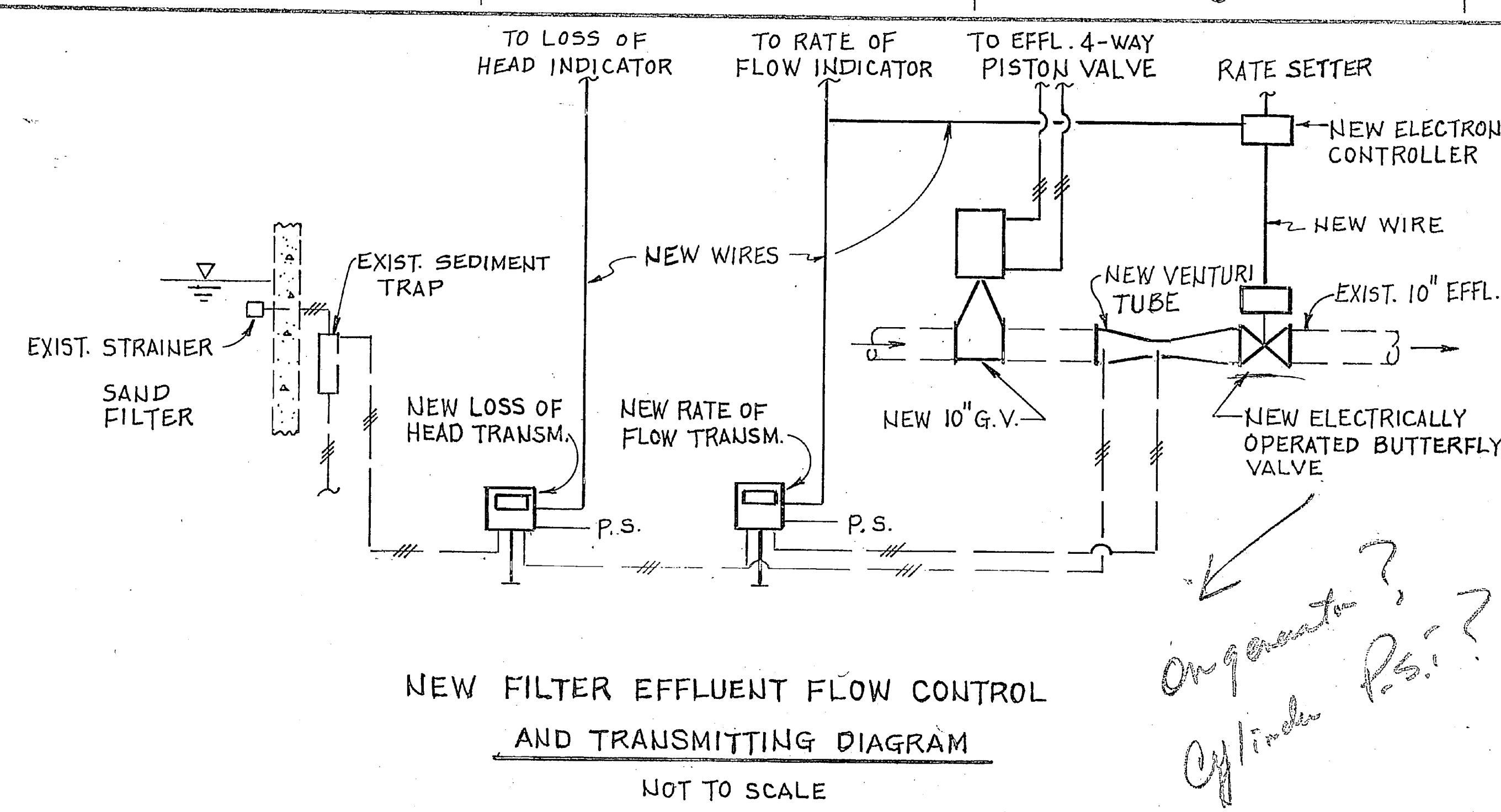
NOTES:  
1. REMOVE ITEMS ② THROUGH ⑪ AND PNEUMATIC TUBINGS, (TYPICAL FOR 5 FILTERS)



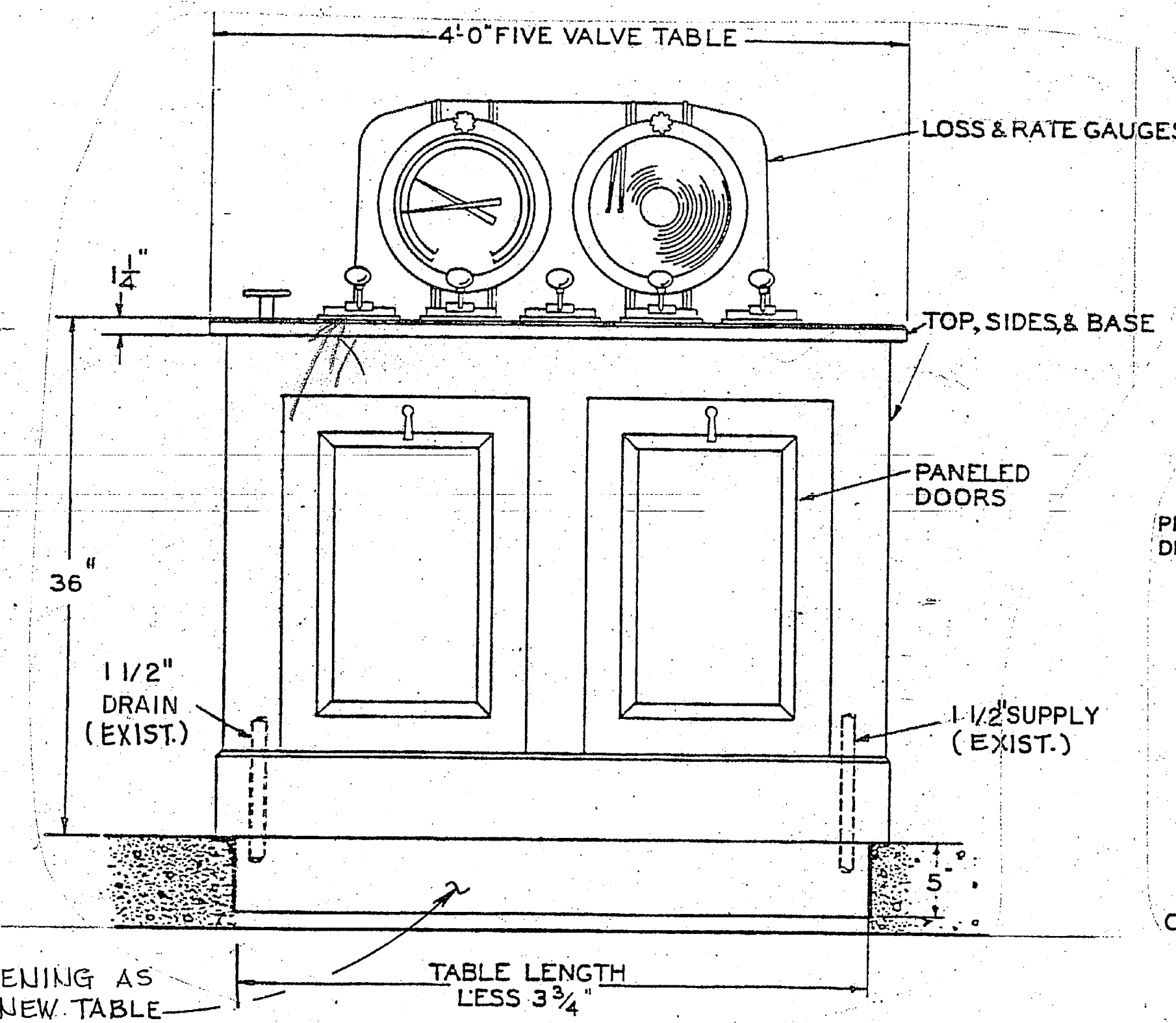
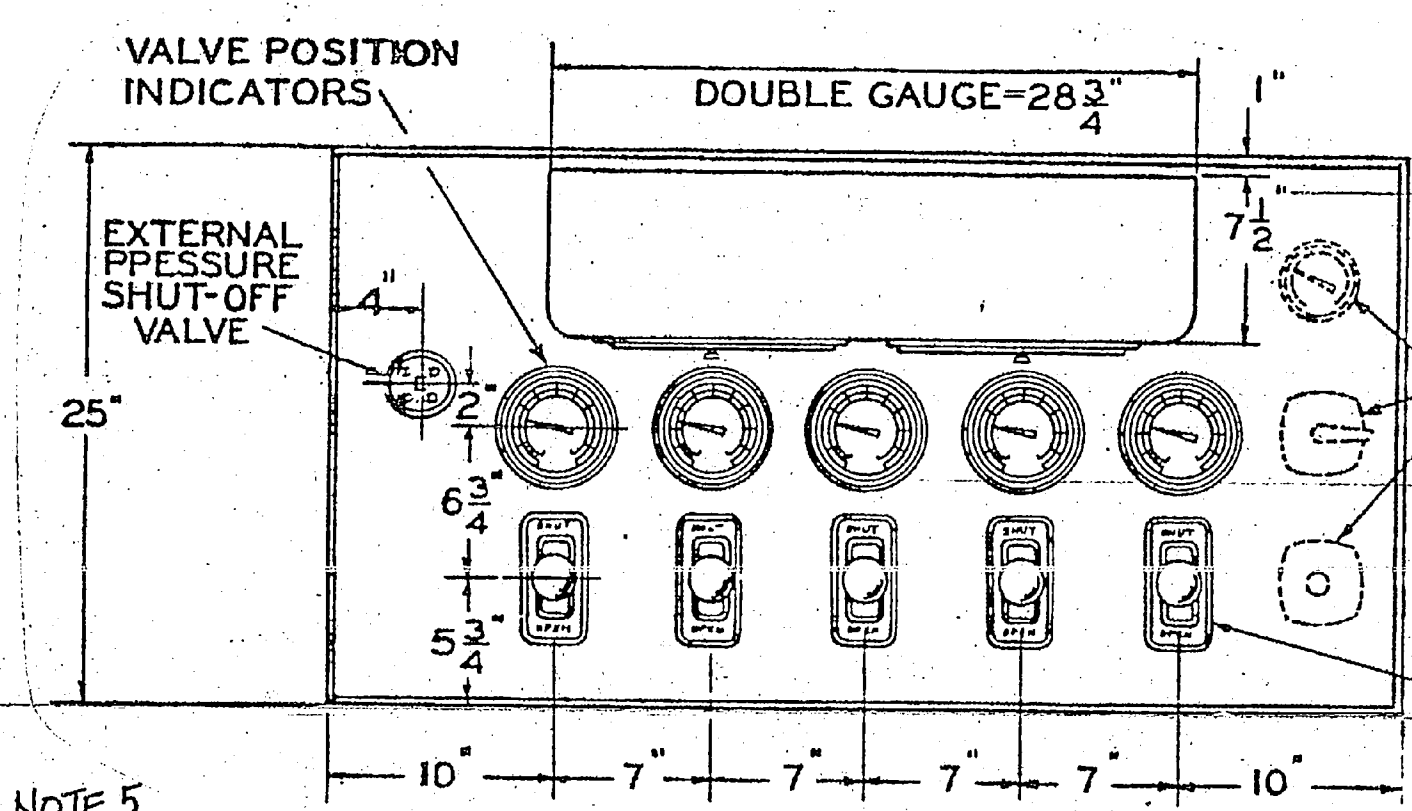
FIRST FLOOR PLAN-BUILDING 20  
SCALE: 1/16" = 1'-0"



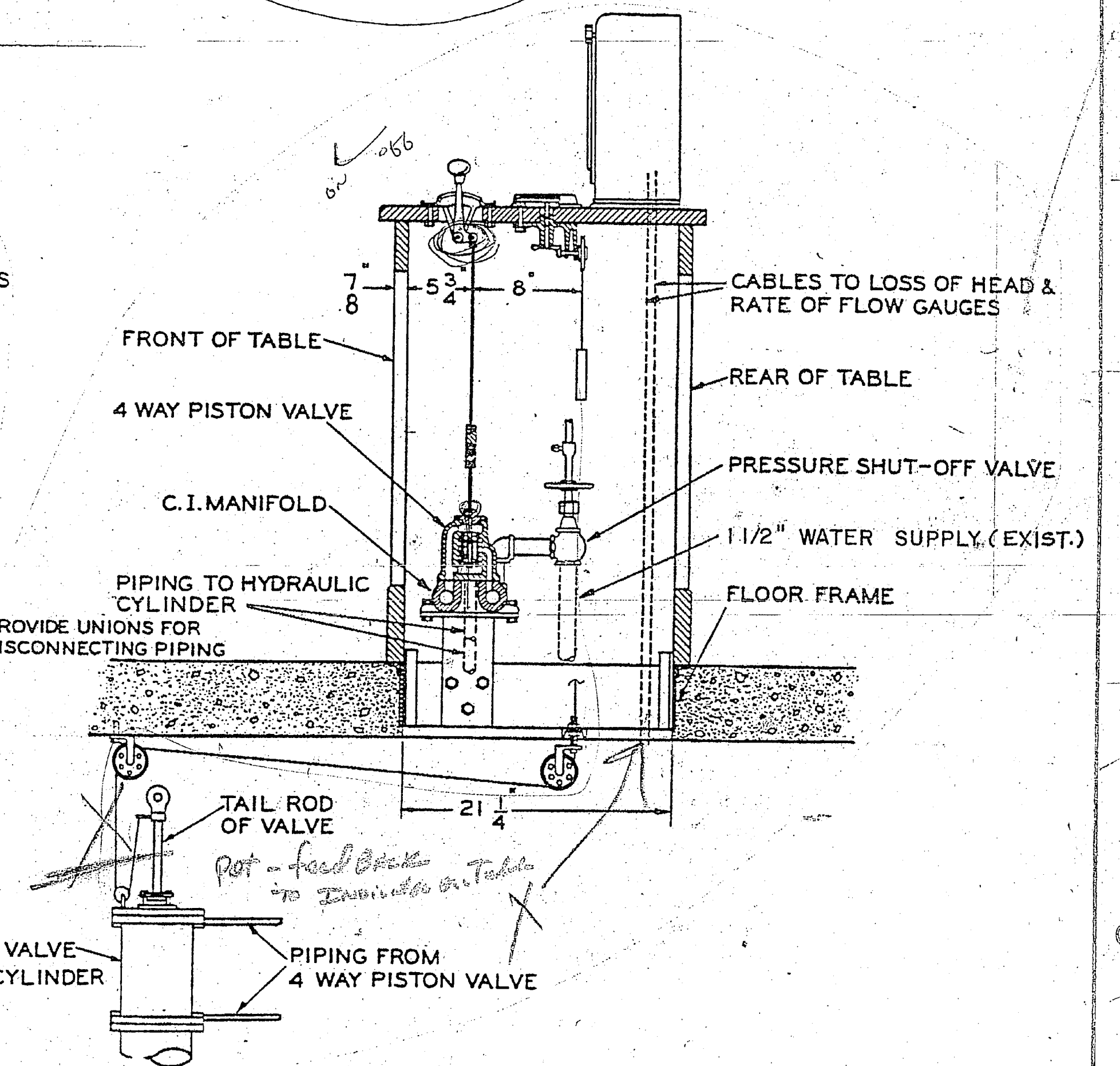
PLAN-NEW PIPING ARRANGEMENT FOR WASH WATER PUMP  
SCALE: 1/4" = 1'-0"



NEW FILTER EFFLUENT FLOW CONTROL AND TRANSMITTING DIAGRAM  
NOT TO SCALE



TYPICAL FILTER OPERATING TABLE (NEW)  
NOT TO SCALE



EFG DWG. NO. 191751		DEPARTMENT OF THE NAVY / NAVAL FACILITIES ENGINEERING COMMAND	
JOB ORDER NO. 94 TF2554		ATLANTIC DIVISION	
DES. C. SHU / F.E.P.		NAVAL STATION NORFOLK, VA.	
DRAWN. C. S. / D.A.A.B.		MARINE CORPS BASE CAMP LEJEUNE, N. C.	
CHKD. [Signature]		REPLACE FILTERS IN POOLS, SLUDGE COLLECTING MECHANISMS AND FILTER CONTROL VALVES AND EQUIPMENT. REPLACE FILTER CONTROL VALVES AND EQUIPMENT BLDG 20	
DES. DIR. [Signature]		NOTED	
SATISFACTORY TO [Signature]		DATE	
APPROVED [Signature]		4091751	
DATE		80091	
FOR THE CHIEF ENGINEER		N62470-82-B-2552	
NOTED		05-82-2552	
DATE		12 07 12	

