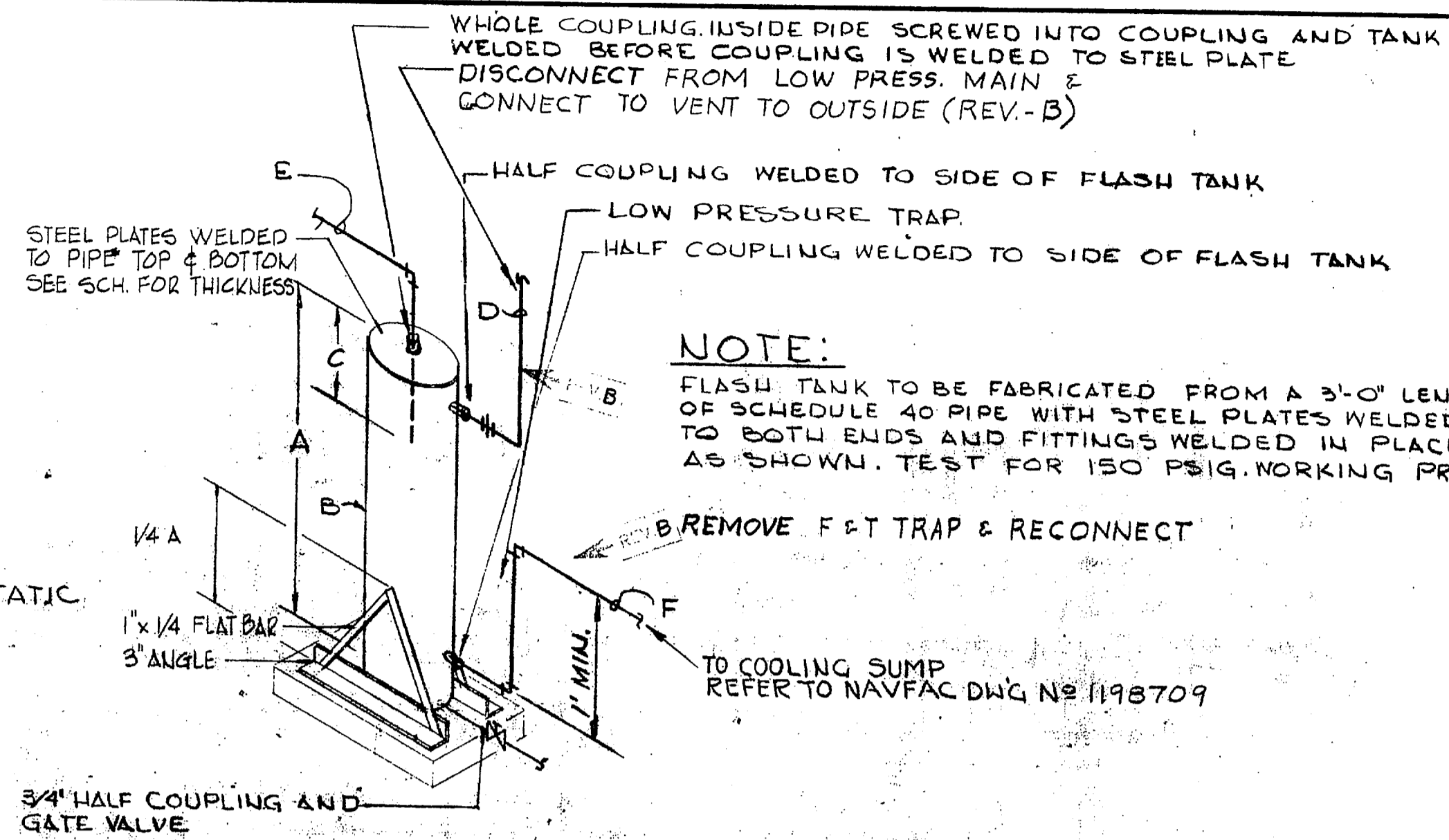


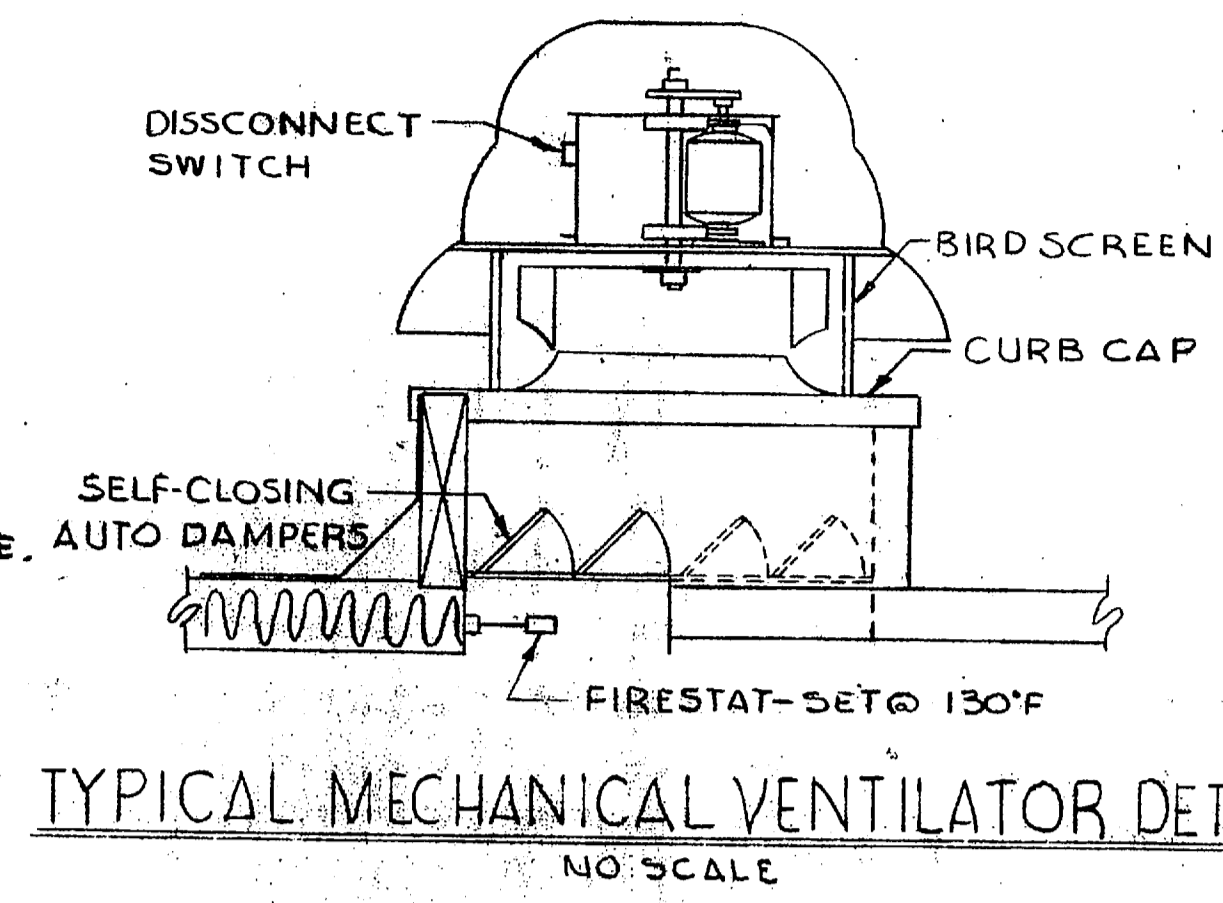
TYPICAL STEAM UNIT HEATER DIAGRAM  
NO SCALE



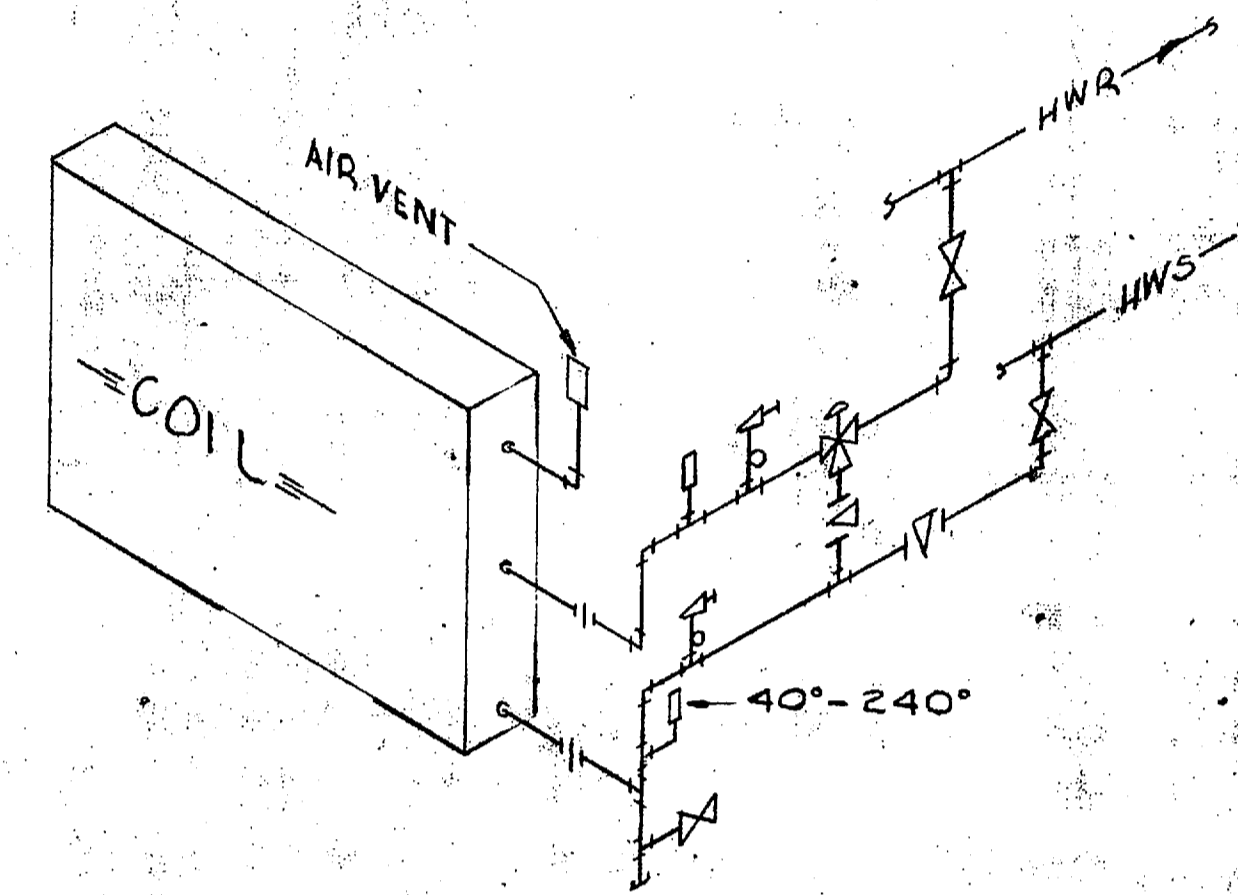
NOTE:  
FLASH TANK TO BE FABRICATED FROM A 3'-0" LENGTH OF SCHEDULE 40 PIPE WITH STEEL PLATES WELDED TO BOTH ENDS AND FITTINGS WELDED IN PLACE AS SHOWN. TEST FOR 150 PSIG. WORKING PRESSURE. AUTO DAMPERS.  
B REMOVE F & T TRAP & RECONNECT  
TO COOLING SUMP REFER TO NAVFAC DWG NO 1198709

FLASH TANK (FT) SCHEDULE							
UNIT DESIGNATION	A	B	C	D	E	F	REMARKS
FT-1	3'-0"	8" I.D.	4"	1 1/2"	1 1/2"	2"	
FT-2	3'-0"	8" I.D.	4"	1 1/2"	1 1/2"	2"	
FT-3	3'-0"	4" I.D.	4"	1"	1"	1"	

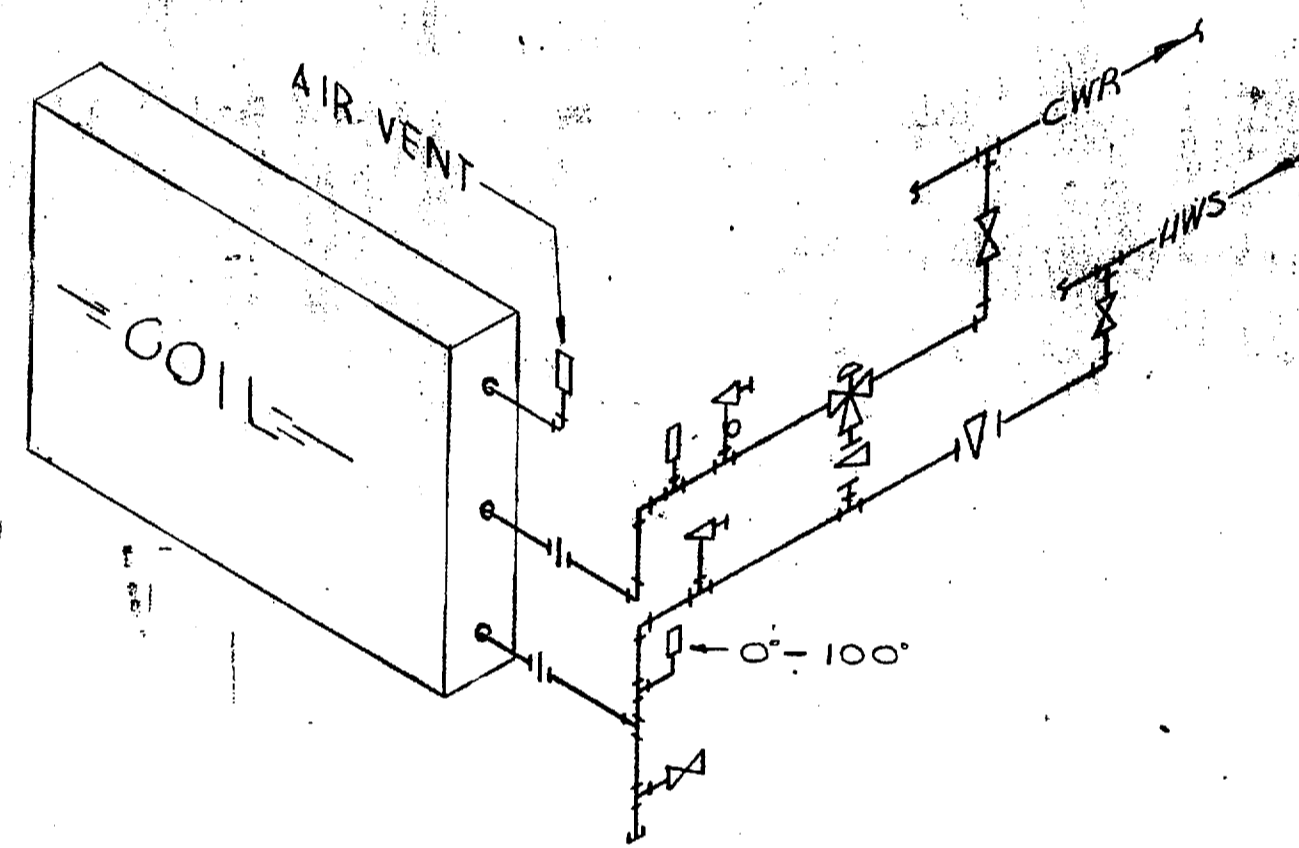
TYPICAL FLASH TANK PIPING DIAGRAM  
NO SCALE



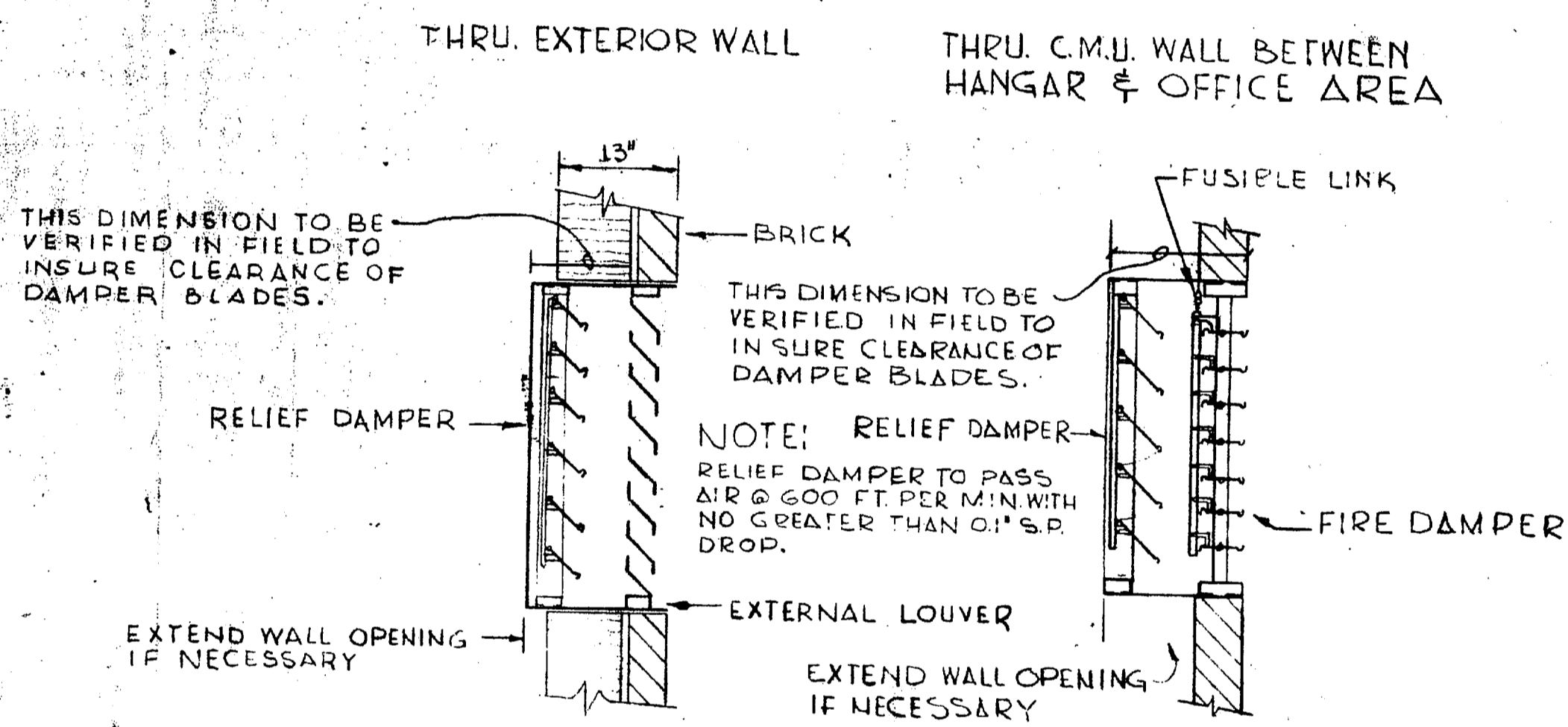
TYPICAL MECHANICAL VENTILATOR DETAIL  
NO SCALE



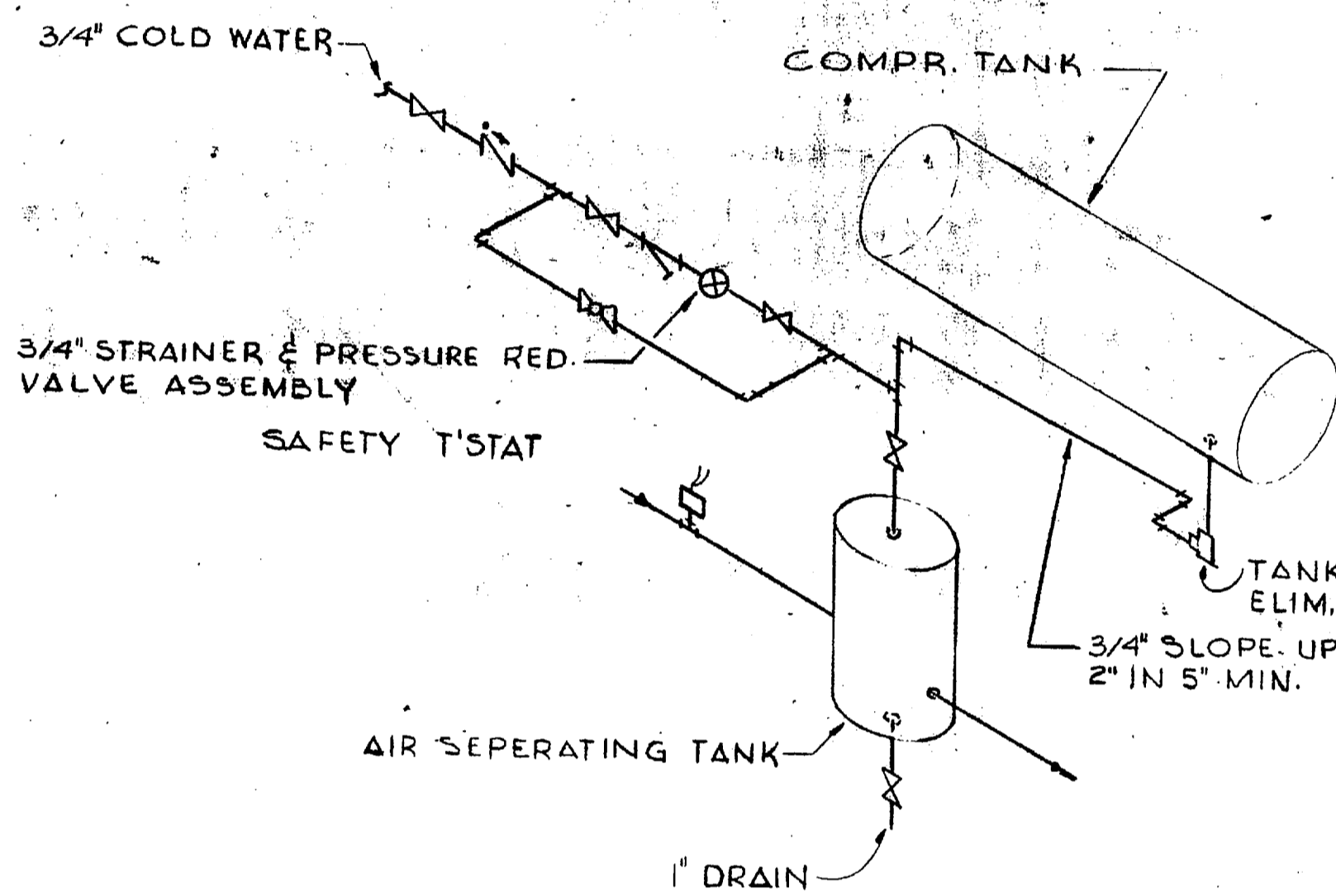
HOT WATER COIL PIPING DETAIL  
NO SCALE



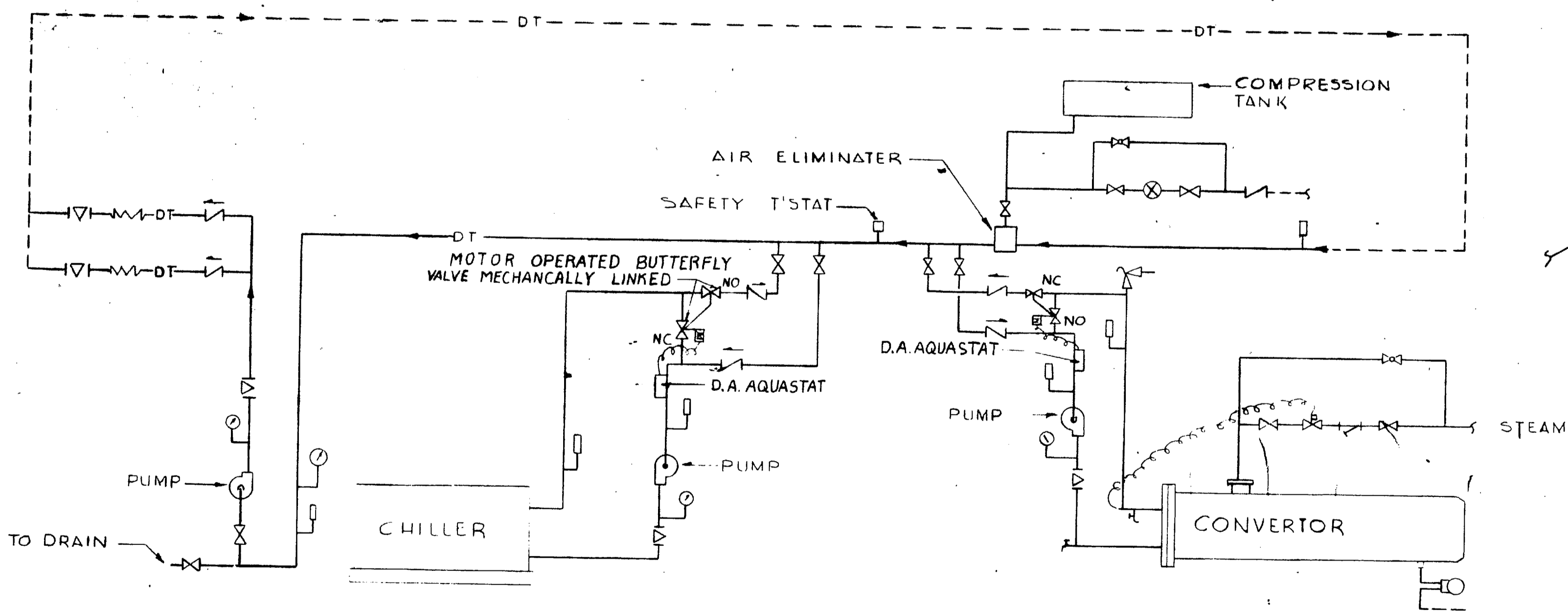
CHILLED WATER COIL PIPING DETAIL  
NO SCALE



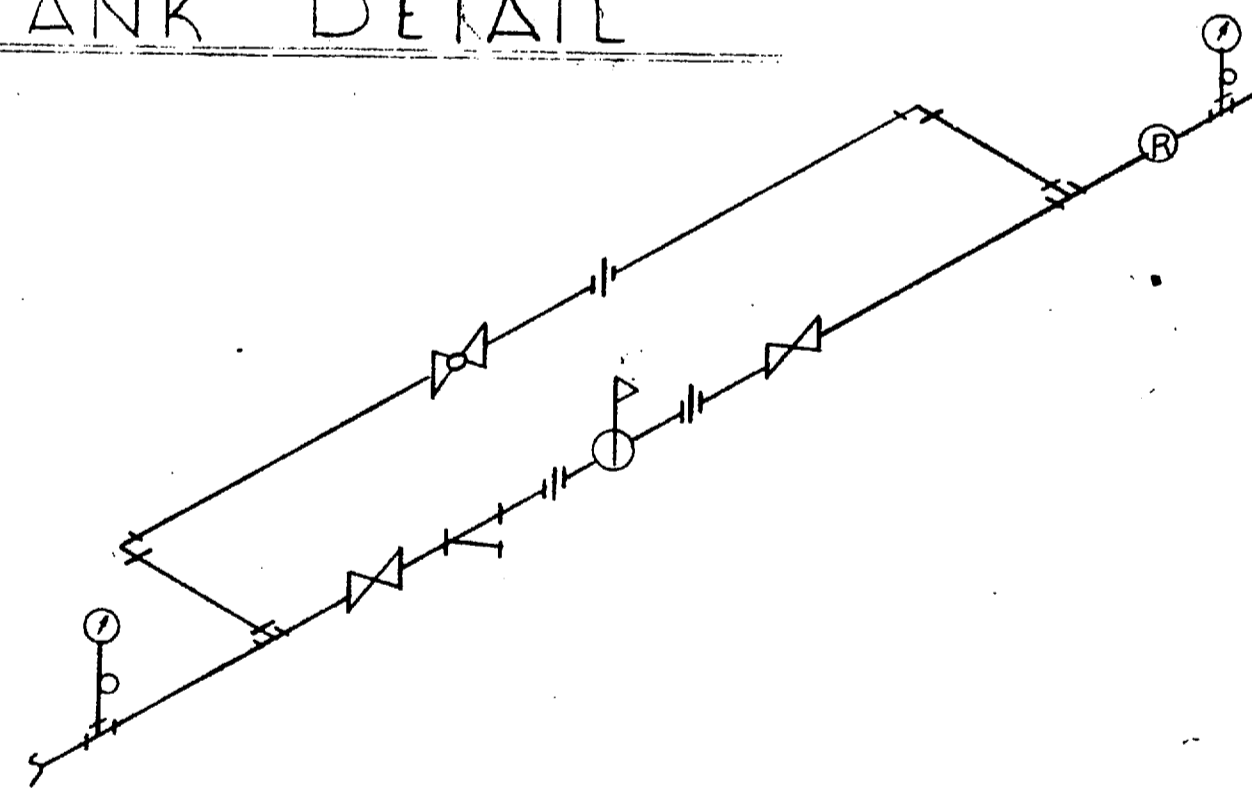
TYPICAL RELIEF DAMPER DETAILS  
NO SCALE



DUAL TEMPERATURE SERVICE PIPE AIR ELIMINATION TANK DETAIL  
NO SCALE



HEATING AND COOLING PIPING SCHEMATIC  
NO SCALE



PRESSURE REDUCING VALVE SCHEDULE						
STATION NO.	SHEET NO.	PRV SIZE	CAPACITY LB/HR	RELIEF VALVE SIZE	PRV SET PRESS	RELIEF VALVE SET PRESS
1	194	1"	1690	2"	15	25
2	198	1/2"	755	1 1/4"	15	25
3	200	1/2"	152	1"	15	25
4	201	1/2"	425	1 1/4"	15	25
5	203	1 1/4"	2810	2"	15	25
6	209	1/2"	284	1 1/4"	15	25

TYPICAL PRESSURE REDUCING STATION  
NO SCALE

REVISIONS		
SYM.	DESCRIPTION	DATE APPROVED
A		
B	REVISED AS BUILT CONDITIONS	8-10-72 JRM

HEATING & AIR CONDITIONING SYM.	
— —	CHECK VALVE
—X—	DIAPHRAGM VALVE
—G—	GATE VALVE
—L—	GLOBE VALVE
—S—	LOCK AND SHIELD VALVE
—M—	MOTOR OPERATED VALVE
—P—	REDUCING PRESSURE VALVE
—V—	PRESSURE OR VACUUM RELIEF VALVE
—V—	VENT POINT
—A—	AIR ELIMINATOR VALVE
—X—	ANCHOR
—S—	STRAINER
—T—	THERMOMETER
—T—	THERMOSTAT
—F—	FLOAT AND THERMOSTATIC
—DT—	DUAL TEMPERATURE SUPPLY
—DT—	DUAL TEMPERATURE RETURN
—CWR—	CHILLED WATER RETURN
—HWR—	HOT WATER RETURN
—CWS—	CHILLED WATER SUPPLY
—HWS—	HOT WATER HEATING SUPPLY
—H—	HIGH PRESSURE CONDENSATE RET.
—U—	UNION
—P—	PRESSURE GAGE
R.A.G.	RETURN AIR GRILLE
E.G.	EXHAUST GRILLE
S.R.	SUPPLY REGISTERS
—V—	PLUG COCK
—P—	PEP COCK
S.C.	STEAM COIL
C	CONDENSING UNIT
A.C.	AIR CONDITIONING UNIT
—H—	HIGH PRESSURE STEAM
U.H.	UNIT HEATER
E.F.	EXHAUST FAN
H&V.	HEATING & VENTILATION
CV	CONVECTOR
—RD—	REF. DISCHARGE
—RL—	REF. LIQUID
ER	EXHAUST REGISTERS
—A—	ATOMIZERS
H	HEAT EXCHANGER-CONVERTOR
FT	FLASH TANK

RECORD DRAWING  
DATE FEB 6 1973

LOCKWOOD GREENE, INC. SPARTANBURG, S. C. 29301 ARCHITECTS & ENGINEERS	DEPARTMENT OF THE NAVY NAVAL FACILITIES ENGINEERING COMMAND ATLANTIC DIVISION NAVAL STATION NORFOLK, VIRGINIA
DESIGNED BY: [Signature] PROJ. MGR. EDDY: [Signature] SUBMITTED BY: [Signature] DATE: 4/18/67	HELIICOPTER GROUP, TRAINING FACILITY MCAF - NEW RIVER, JACKSONVILLE, N. C.
APPROVED: [Signature] DATE: 30 JUN 1967	TYPICAL DETAILS
SCALE AS SHOWN	NAVFAC DRAWING NO. 1198759
CONSTR. CONTR. NO. NBY 88179	88179/67 SHEET 211 OF 262
A/E COMM. NO. 67046	N62470-67-B-1013 76759

