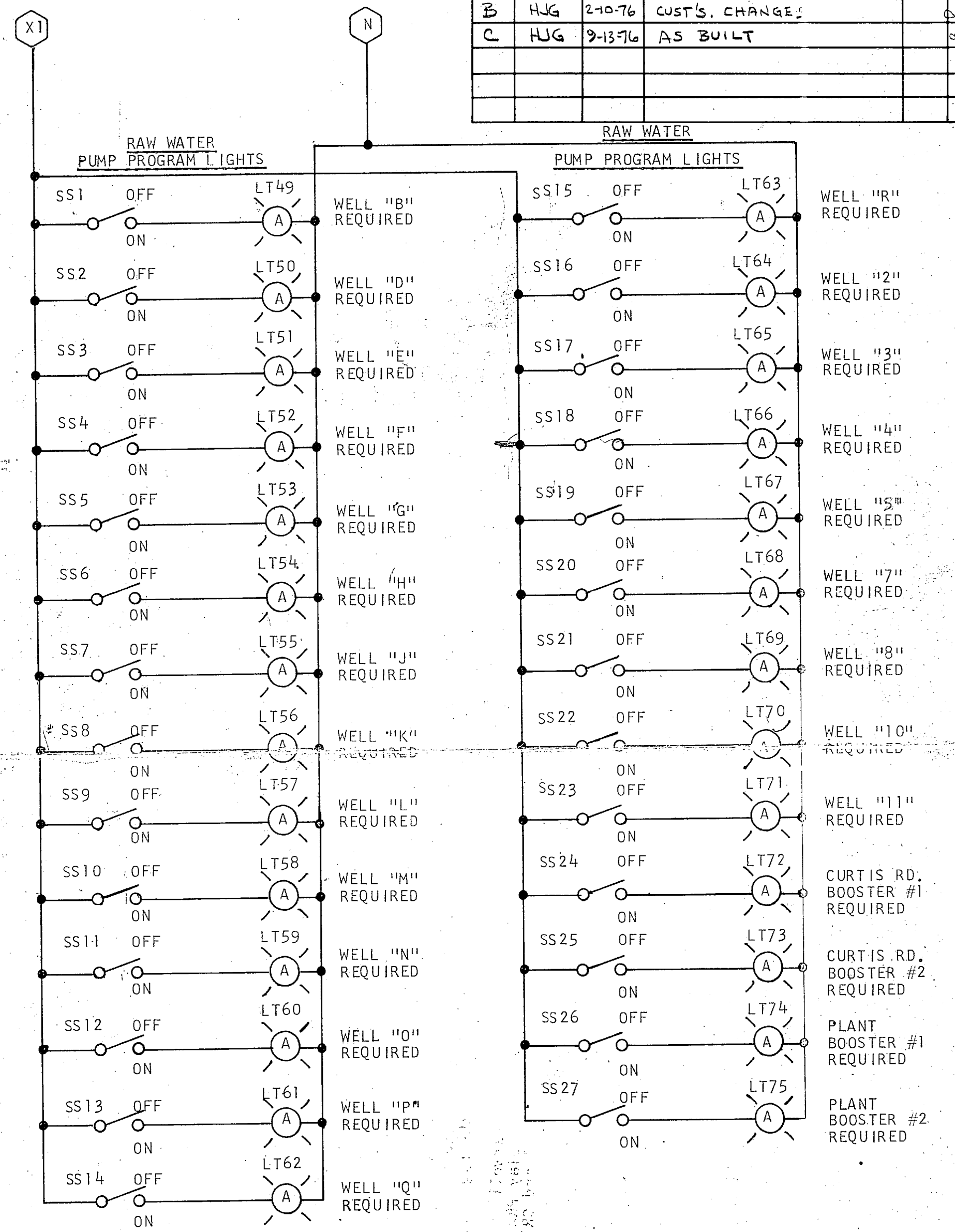
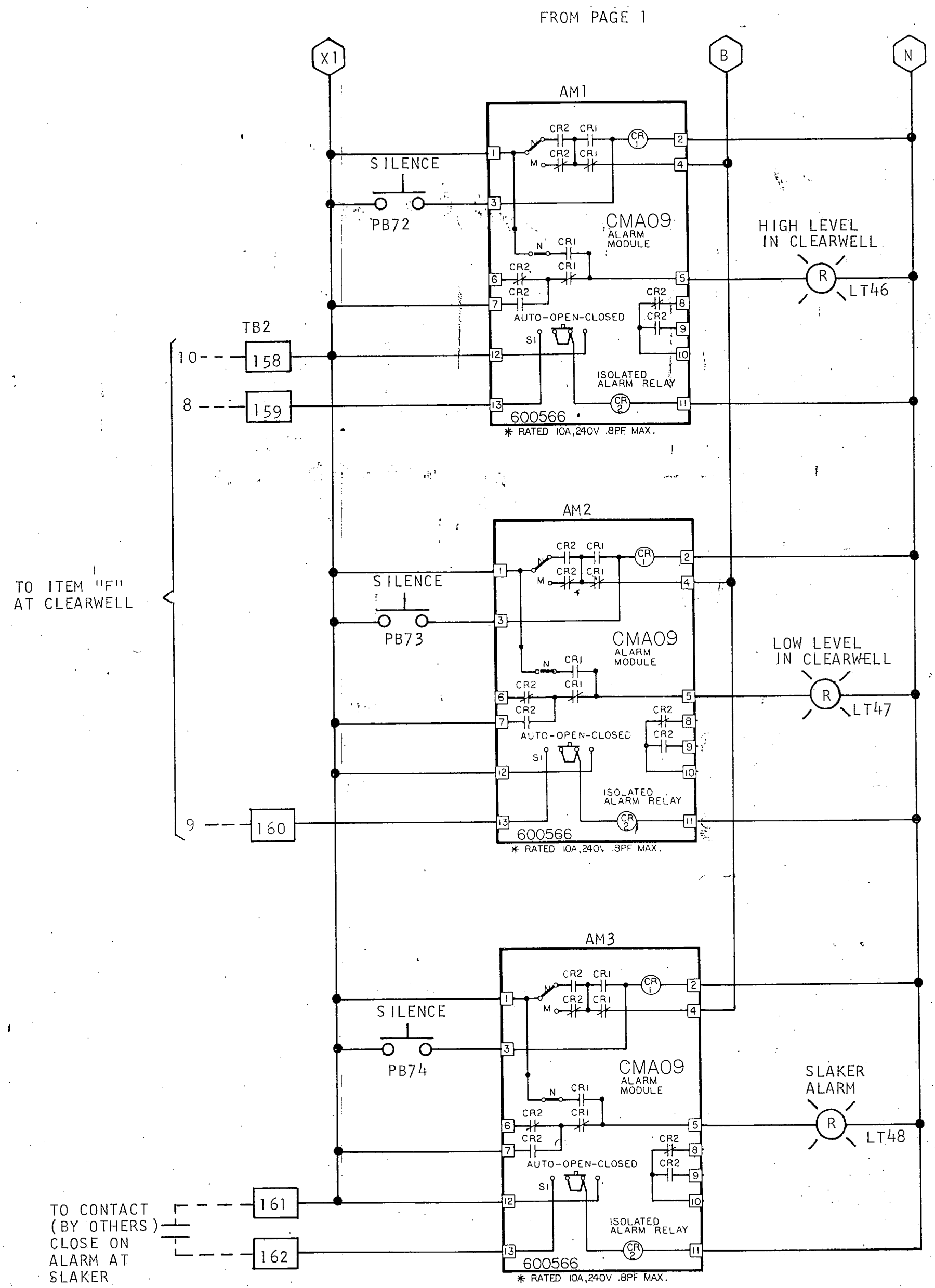
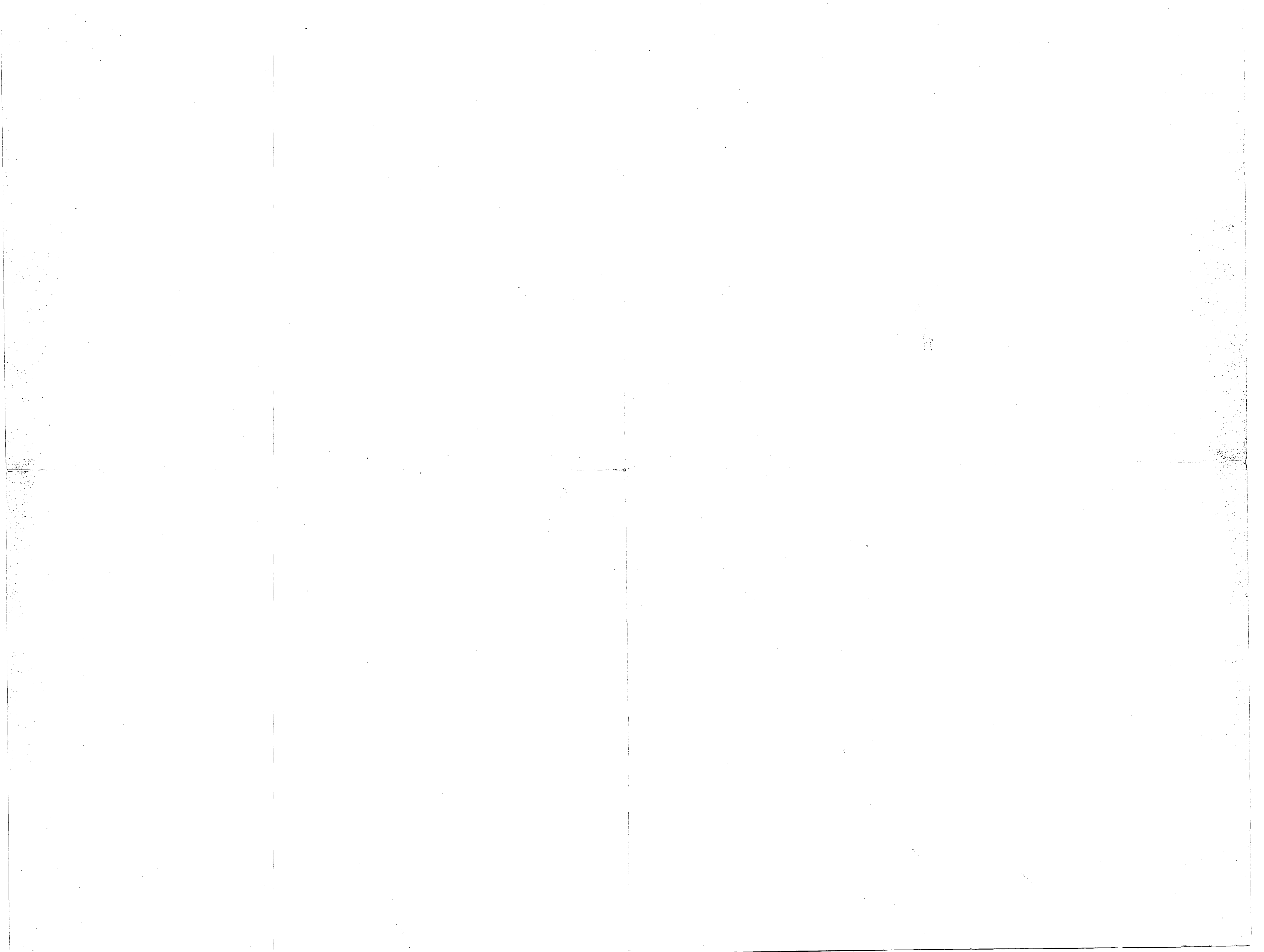


REV	C.O. NO.	DATE	DESCRIPTION	CHK	APR
A	3723	8-8-75	RELEASED		
B	HJG	2-10-76	COST'S, CHANGE'S		
C	HJG	9-13-76	AS BUILT		

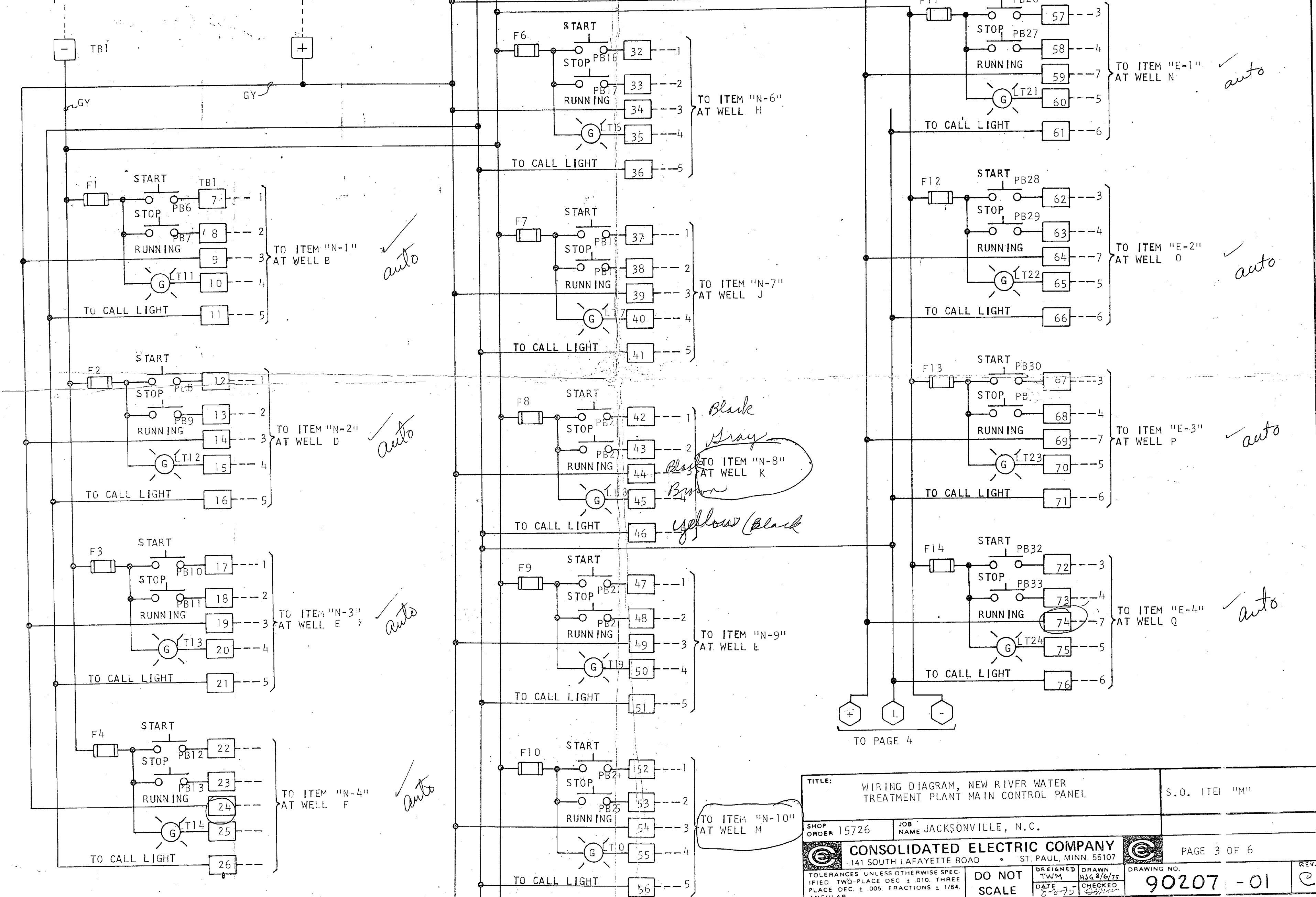


TITLE: WIRING DIAGRAM, NEW RIVER WATER TREATMENT PLANT MAIN CONTROL PANEL		.O. ITEM "M"	
SHOP ORDER 15726	JOB NAME JACKSONVILLE, N.C.		
CONSOLIDATED ELECTRIC COMPANY 141 SOUTH LAFAYETTE ROAD • ST. PAUL, MINN. 55107		PAGE 6 OF 6	
TOLERANCES UNLESS OTHERWISE SPECIFIED: TWO PLACE DEC. ± .010, THREE PLACE DEC. ± .005, FRACTIONS ± 1/64 ANGULAR.	DO NOT SCALE	DESIGNED TWM DRAWN HJG 8/6/75 CHECKED [Signature] DATE 8-8-75	DRAWING NO. 902071-01 REV. C

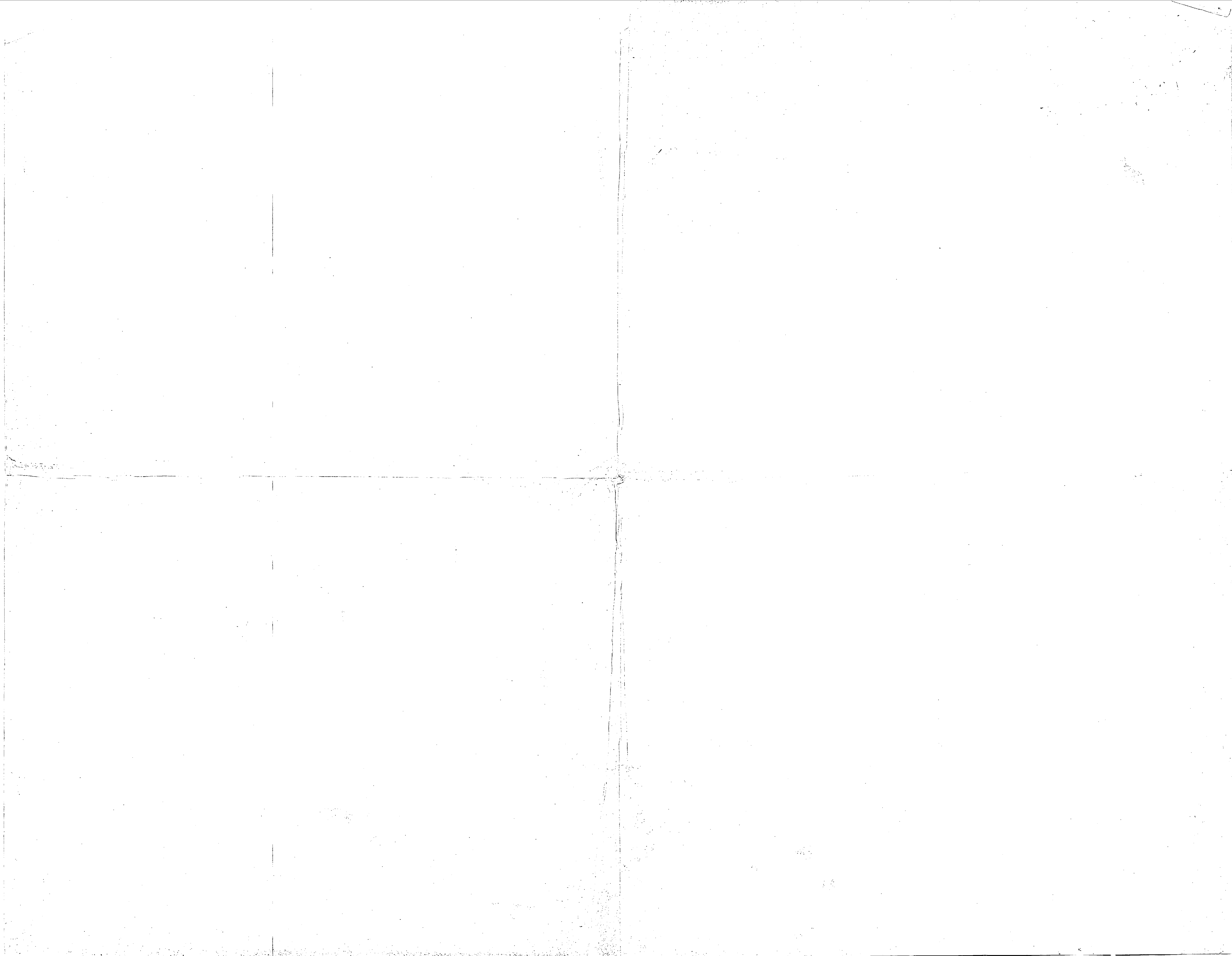


REV	C.O. NO.	DATE	DESCRIPTION	CHK	APR
A	3723	8-8-75	RELEASED		
B	HJG	2-10-76	CUST'S. CHANGES		
C	HJG	9-13-76	AS BUILT		

48V. d-c INPUT
POWER FROM STORAGE
BATTERIES (BY OTHERS)

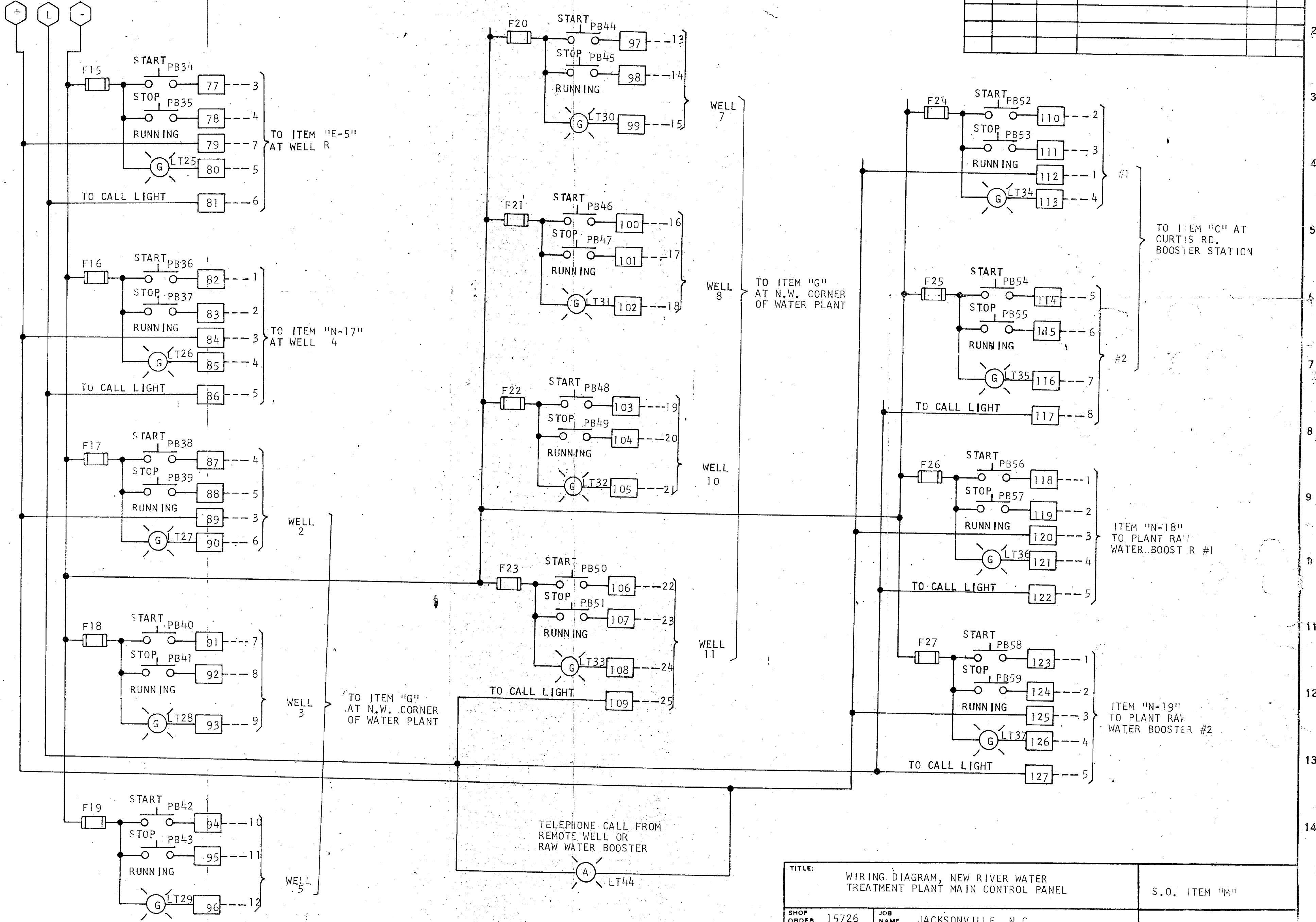


TITLE: WIRING DIAGRAM, NEW RIVER WATER TREATMENT PLANT MAIN CONTROL PANEL		S.O. ITEM "M"	
SHOP ORDER 15726	JOB NAME JACKSONVILLE, N.C.		
CONSOLIDATED ELECTRIC COMPANY -141 SOUTH LAFAYETTE ROAD • ST. PAUL, MINN. 55107		PAGE 3 OF 6	
TOLERANCES UNLESS OTHERWISE SPECIFIED: TWO-PLACE DEC: ±.010, THREE-PLACE DEC: ±.005, FRACTIONS: 1/64 ANGULAR.		DO NOT SCALE	DRAWING NO. 90207-01 DESIGNED TWM DRAWN HJG 8/6/75 DATE 8-8-75 CHECKED [Signature]
			REV. [Signature]



REV	C.O. NO.	DATE	DESCRIPTION	CHK	APR
A	3723	8-8-75	RELEASED		
B	HJG	2-10-76	CUST'S. CHANGES		

FROM PAGE 3



TITLE:		WIRING DIAGRAM, NEW RIVER WATER TREATMENT PLANT MAIN CONTROL PANEL		S.O. ITEM "M"	
SHOP ORDER	15726	JOB NAME	JACKSONVILLE, N.C.		
CONSOLIDATED ELECTRIC COMPANY 141 SOUTH LAFAYETTE ROAD • ST. PAUL, MINN. 55107		PAG: 4 OF 6			
TOLERANCES - UNLESS OTHERWISE SPECIFIED. TWO PLACE DEC. ± .010, THREE PLACE DEC. ± .005, FRACTIONS ± 1/64 ANGULAR.		DO NOT SCALE	DESIGNED TWM DRAWN HJG 8/6/75 DATE 8-8-75 CHECKED 	DRAWING NO. 902071-01 REV. B	

