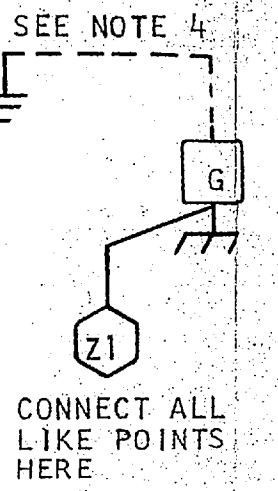
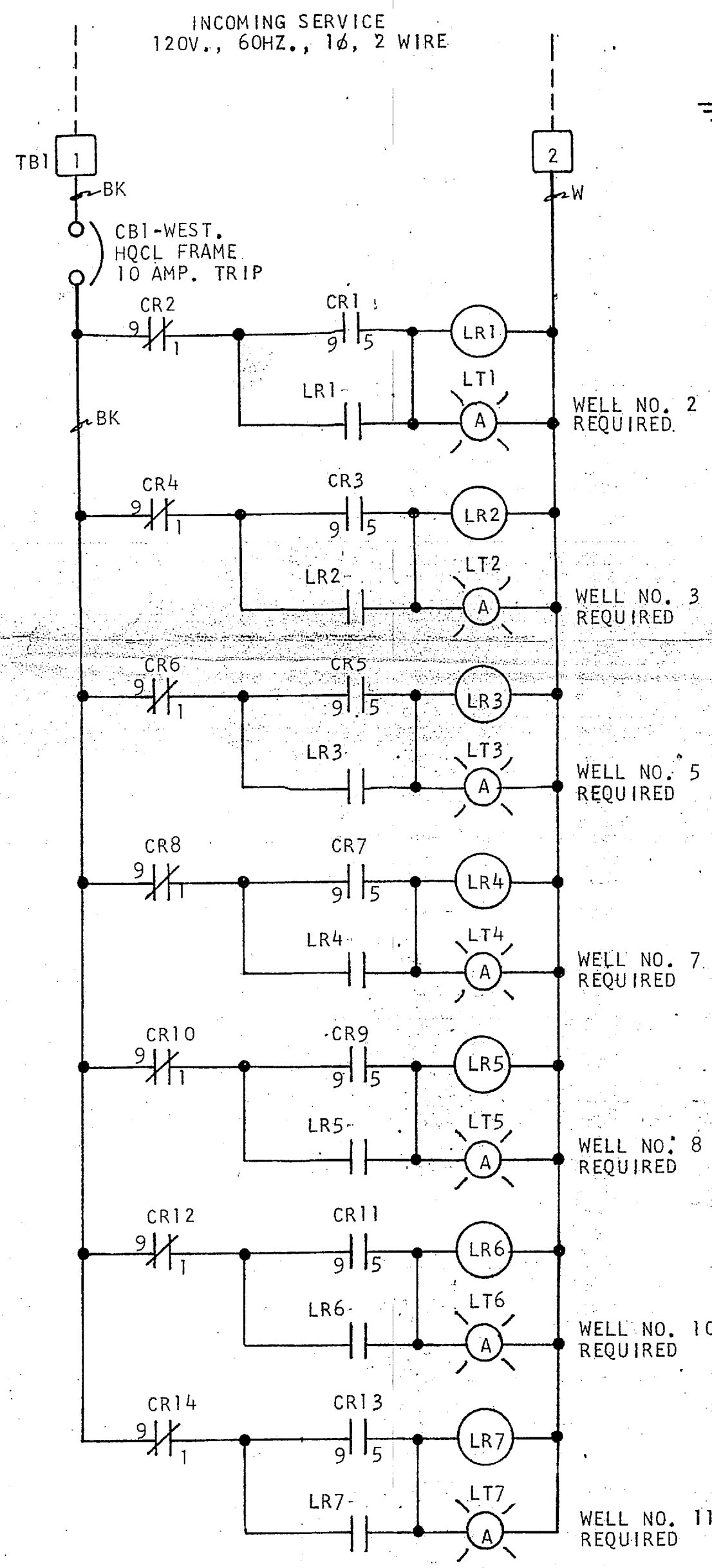
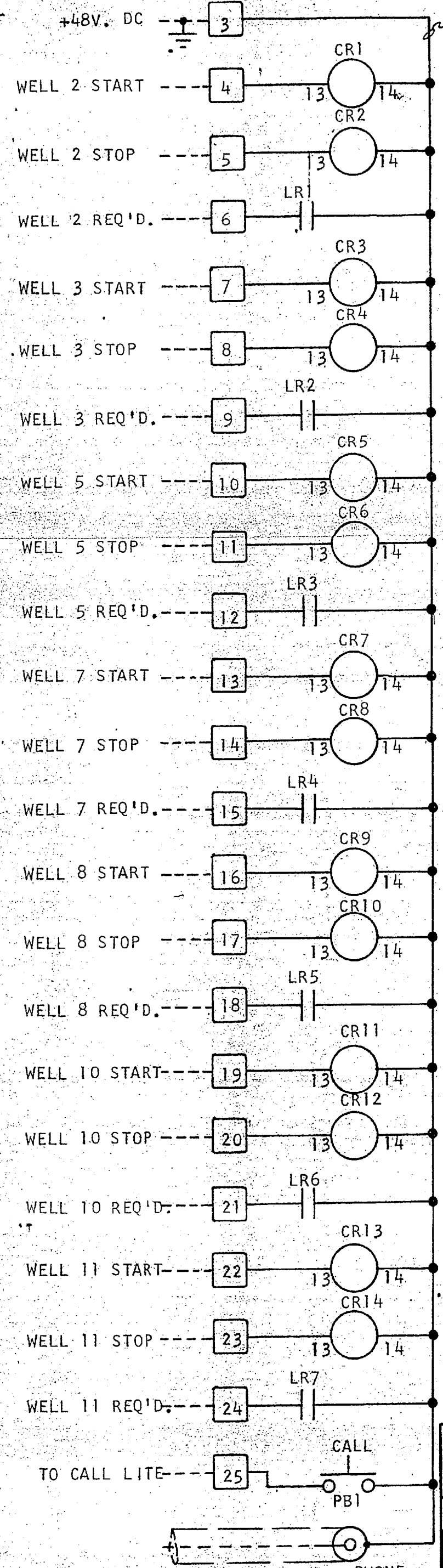


A B C D E F G H I J K L M N O P Q R S T U

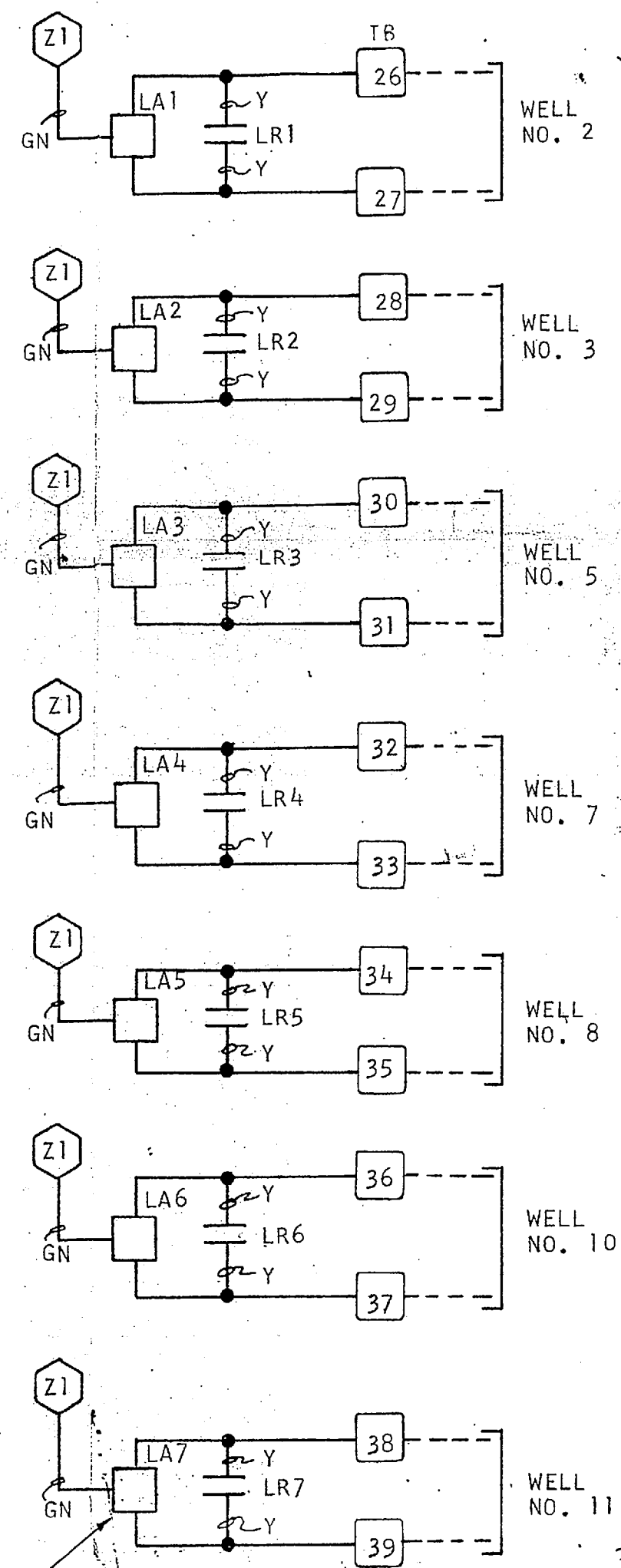
REV	C.O. NO.	DATE	DESCRIPTION	CHK	APR
A	3723	8/7/75	RELEASED		
B	HJG	2-10-76	CUST'S. CHANGES		



DC CONTROL AND INDICATION CIRCUITS FROM MAIN PANEL (S.O. ITEM "M") AT WATER PLANT



ALL VIOLET WIRING



#10 AWG CONTROL PAIRS (BY OTHERS) TO REMOTE WELLS  
 CONTACTS RATED  
 1/2 H.P. @ 240V. AC  
 1/4 H.P. @ 120V. AC  
 10 AMPS. @ 600V. MAX.

- FOR PARTS LIST SEE 201895-01.
- GROUNDING LUG TO BE GROUNDED BY CUSTOMER AS PER N.E.C.
- WIRE COLOR ABBREVIATIONS:  
 BLACK-BK      GRAY-GY  
 WHITE-W        BROWN-BR  
 ORANGE-OR    BLUE-BU  
 YELLOW-Y      VIOLET-V  
 RED-R          PINK-P  
 GREEN-GN
- ALL WIRING IS RED UNLESS NOTED. ALL RED WIRING IS 16 GA. AND ALL ELSE IS 14 GA.
- ALL DASHED WIRING IS DONE BY OTHERS.

TITLE: WIRING DIAGRAM N.W. CORNER WELL CONTROL PANEL S.O. ITEM "G"

SHOP ORDER 15726 JOB NAME JACKSONVILLE, N.C.

**CONSOLIDATED ELECTRIC COMPANY**  
 141 SOUTH LAFAYETTE ROAD • ST. PAUL, MINN. 55107

TOLERANCES UNLESS OTHERWISE SPECIFIED: TWO PLACE DEC. ± .010. THREE PLACE DEC. ± .005. FRACTIONS ± 1/64. ANGULAR

DO NOT SCALE

DESIGNED TWM  
 DATE 8-1-75

DRAWN HJG/75/75  
 CHECKED [Signature]

DRAWING NO. 902065-01

PAGE 1 OF 1

REV. B

