

SEQ.		BILL OF MATERIAL									
A	B	QTY	MARK	NO. PER	DESCRIPTION	LENGTH	WGT.	MARK	WEIGHT	NOTES	
2	2	4	M1-20-1	4	L-2x2x1/4x13'-10"	13	10	ma			
				28	2# ROD	0	5	ma			
2	2	4	M1-20-2	4	L-2x2x1/4x8'-4"	8	4	ma			
				20	2# ROD	0	5	ma			
155	103	14	M1-20-3	248	R-3/8x6	0	6	mb			
				496	STUD 2#	0	4	mb			
4	4	8	M1-20-4	8	L-2x2x1/4x10'-2 1/2"	10	2 1/2	ma			
				40	2# ROD	0	5	ma			
4	4	8	M1-62-5	8	R-3/8x6	0	6	mb			
				16	STUDS	0	4	mb			
101	98	205	M1-41-7	205	1/2# ROD	0	8			BENT	
				1205	HEX NUTS 2 TAP	0	8			BENT	
14	14	28	M1-62-8	28	1/2# ROD	0	8			BENT	
				28	HEX NUTS 2 TAP	0	8			BENT	
2	2	4	M1-62-9	4	L-8x6x5/16x14'-0"	14	0				
				20	THRESHOLD STUDS	3	4 1/2			BENT	
				28	STUDS	4	3			GALV.	
2	2	4	M1-63-11	4	CHK. R-3/8x23'	4	3			BENT	
				28	STUDS	4	3			GALV.	
4	4	8	M1-41-12	8	L-5x3x3/8	15	4				
				64	STUDS	14					
0	2	2	M1-52-13	2	L-4x4x2	13	11				
				14	STUDS						
0	ONE	ONE	M1-52-14	1	L-4x4x2	18	3				
				9	STUDS						
0	ONE	ONE	M1-52-15	1	L-4x4x2	23	2				
				12	STUDS						
0	2	2	M1-31-16	2	L-6x4x3/8	17	0				
				6	R-2x7x2	19	2 3/8			BENT	
0	78	78	M1-31-18	78	3/8# ROD	0	7				
				78	HEX NUT 3/4 TAP	0	7				
0	ONE	2	M1-20-24	2	L-2x2x1/4x8'-10"	8	10			ma	
				10							
PLAIN MATERIAL											
2	2	4	M1-20-6	4	R-4x11-7	13	10			REF. SECT. B SHT. A10-9	
				4	R-4x11-7	10	2 1/2			FOR LAYOUT SEE SHT. ME1-E1	
8	4	12	M1-20-19	12	L-5x5x3/8	21	10 1/4			REF. SECT. 2 SHT. S9-6	
6	4	10	M1-20-20	10	L-5x5x3/8	13	10			REF. SECT. D SHT. A10-12	
8	8	16	M1-20-21	16	L-5x5x3/8	15	4			FOR LAYOUT SEE SHT.	
2	2	4	M1-20-22	4	L-5x5x3/8	12	3 1/2			ME1-E2 & E7	
2	2	4	M1-20-23	4	L-5x5x3/8	8	9				
ONE	ONE	2	M1-20-24	2	L-5x5x3/8	8	3				
2	2	4	M1-22-25	4	L-5x5x3/8	5	0			REF. SECT. B SHT. A10-9	
ONE	ONE	1	M1-20-26	1	L-5x5x3/8	16	8			REF. SECT. D SHT. A10-12	
ONE	ONE	1	M1-20-27	1	L-5x5x3/8	16	8			FOR LAYOUT SEE SHT. ME1-E3	
ONE	ONE	1	M1-20-28	1	L-5x5x3/8	16	5			FOR LAYOUT SEE SHT. ME1-E3	

7985

RIVER STEEL CORPORATION
MONTGOMERY, ALABAMA

PRINT RECORD

QTY	DATE	FOR
7 P	7-20-79	Approval
15, 3 P	9-4-79	For App.

NAVAL REGIONAL MEDICAL CENTER
STRUCTURE
MISC. EMBEDS
CARDINAL CONTRACTING CO. INC.
OWNER
UNITED STATES GOVT.
LOCKWOOD GREENE
DIV. OF ARCHIT.

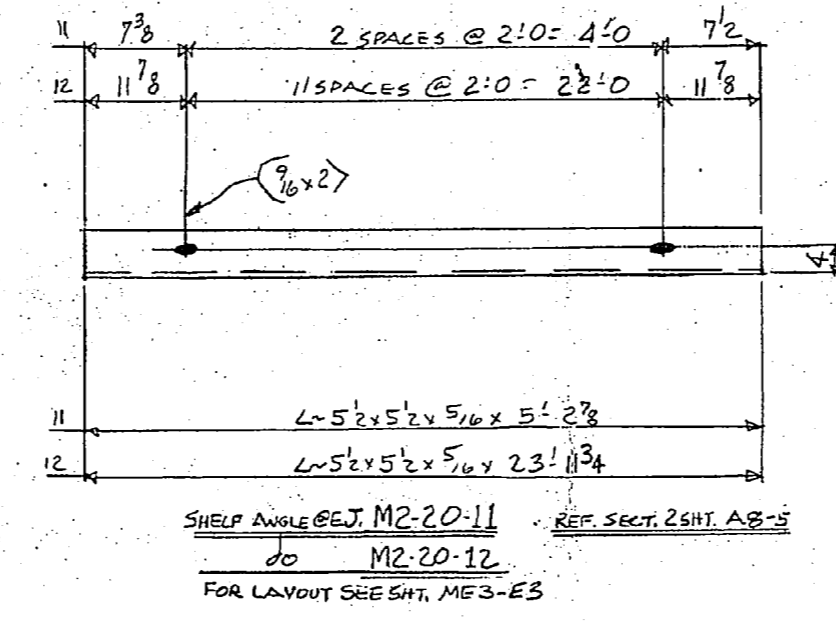
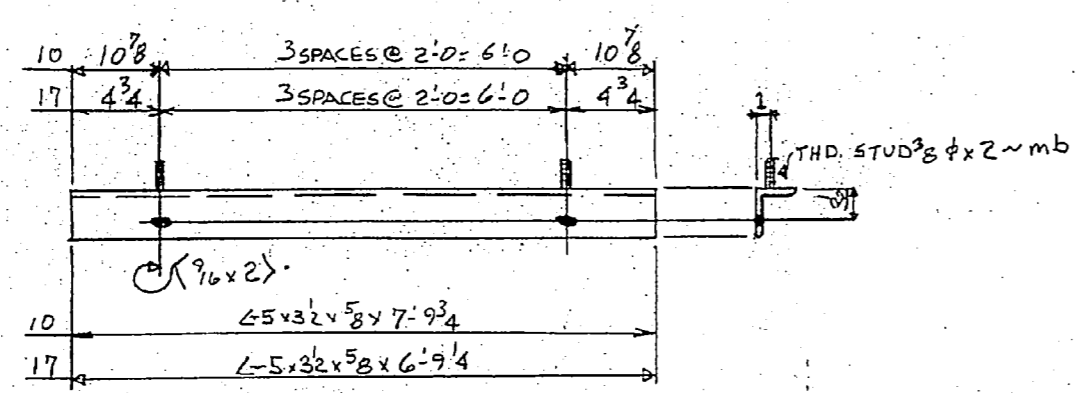
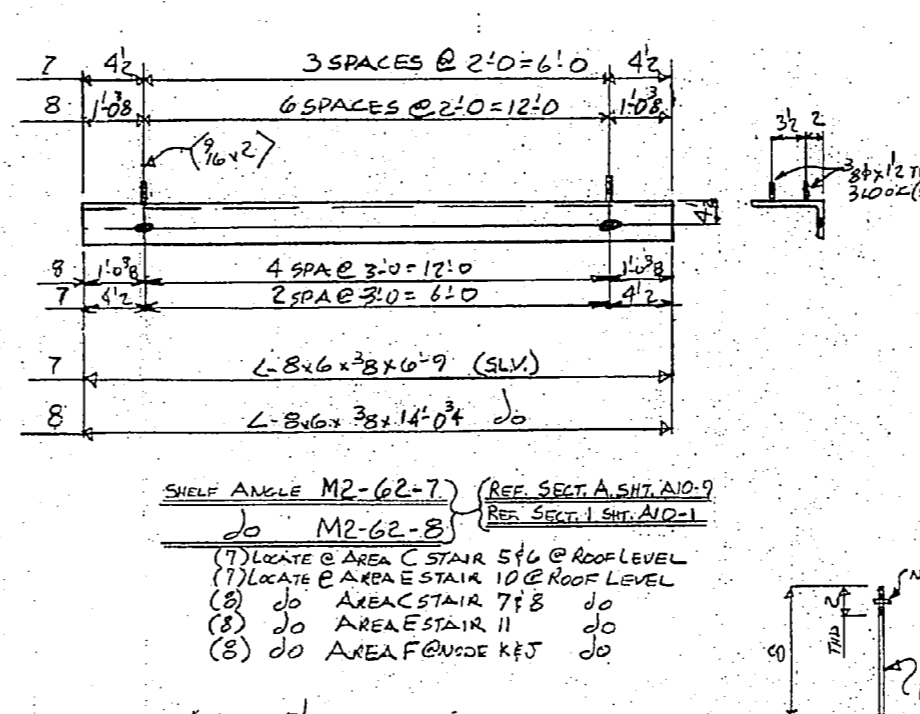
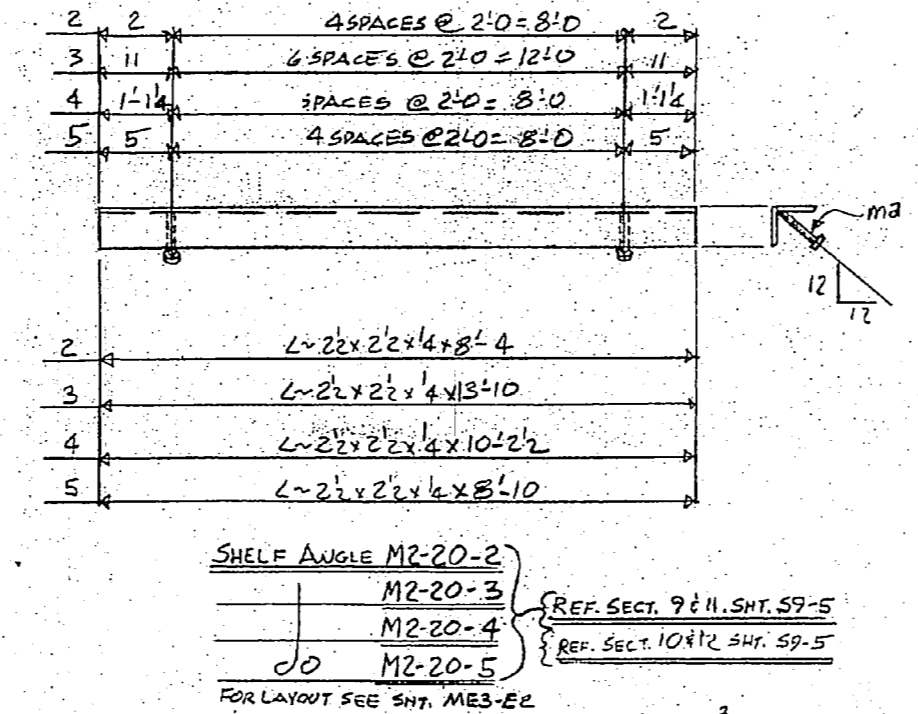
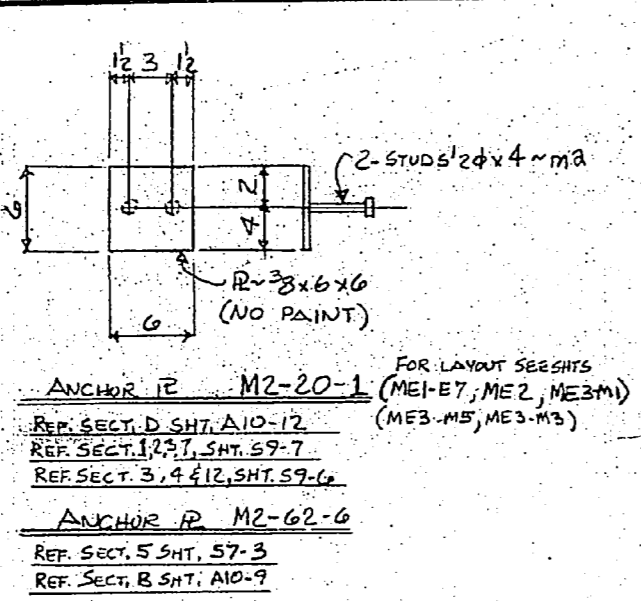
REVISIONS

NO.	DATE	BY	DESCRIPTION
1			
2			
3			
4			

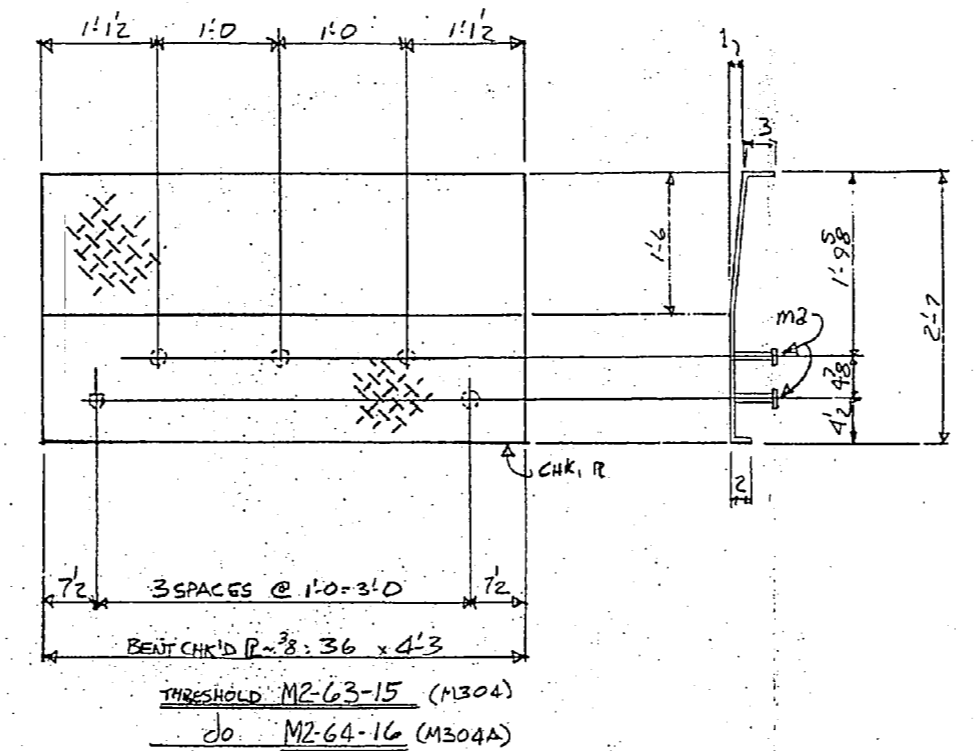
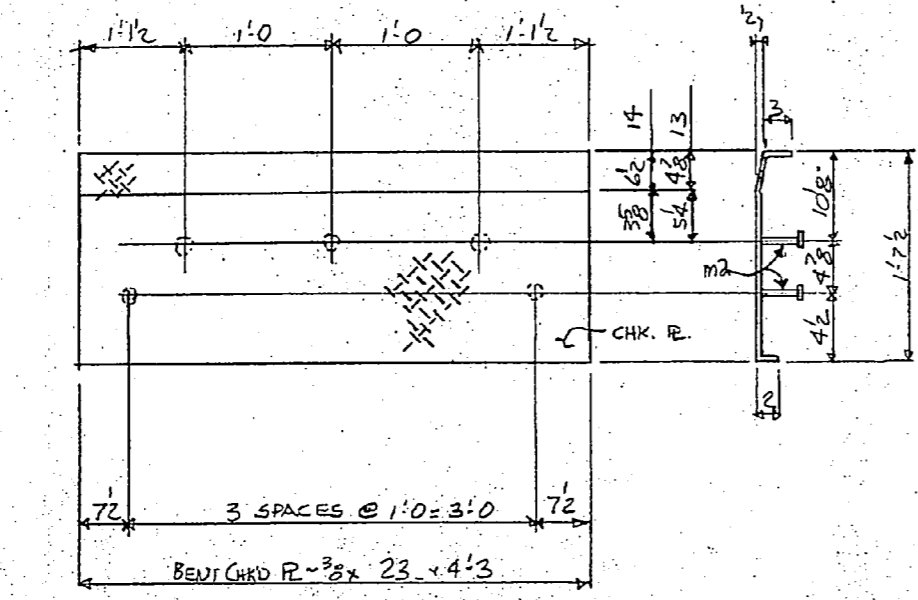
SHIP ORDER 79-129
SHEET NO. M1

MESI-69-55





LOCATE @ AREA 'C' @ ROOF LEVEL OF EQUIP ROOM
 @ STAIR # 6 (ONE OF 10) (17)
 LOCATE @ AREA 'E' @ ROOF LEVEL OF EQUIP ROOM
 @ STAIR # 10 (ONE OF 17)



SEQ.		BILL OF MATERIAL														
A	B	C	D	E	F	G	H	QTY	MARK	DESCRIPTION	LENGTH	WT.	PKT.	MARK	WEIGHT	NOTES
								1	M2-20-1	R-3/8 x 6	0	6				
								2	M2-20-2	L-2x2x4	8	4				
								4	M2-20-3	L-2x2x4	13	10				
								8	M2-20-4	L-2x2x4	13	8 1/2				
								4	M2-20-5	L-2x2x4	8	10				
								14	M2-62-6	R-3/8 x 6	0	6				
								3	M2-62-7	L-3x3x3	6	9				
								5	M2-62-8	L-3x3x3	11	0 3/4				
								12	M2-62-9	R-3/8 x 6	0	10				
								1	M2-34-10	L-5x3x3	7	3 1/2				
								7	M2-34-17	L-5x3x3	0	2				
								4	M2-20-11	L-5x2x5	23	11 3/4				
								7	M2-63-13	CHK'D R-3/8 x 2 3/4	5	2 3/8				BENT GALV.
								49	M2-63-14	CHK'D R-3/8 x 2 3/4	4	3				BENT GALV.
								7	M2-63-15	CHK'D R-3/8 x 2 3/4	4	3				BENT GALV.
								7	M2-63-16	CHK'D R-3/8 x 2 3/4	4	3				BENT GALV.
								2	M2-34-10	L-5x3x3	6	9 1/4				

ATLANTIC DIVISION
 NAVAL FACILITIES ENGINEERING COMMAND
 NORFOLK, VIRGINIA 23511

APPROVED AS NOTED
 DISAPPROVED

SUBJECT TO THE REQUIREMENTS OF
 CONTRACT NO. NS470-7-7355

APPROVAL

FOR OFFICER IN CHARGE OF CONSTRUCTION

RIVER STEEL CORPORATION
 MONTGOMERY, ALABAMA

PRINT RECORD

ISSUED	DATE	FOR
9/8	7-20-77	Approval
10/6	9-4-77	For Shop

DETAILS

MISC. EMBEDS

CARDINAL CONTRACTING CO., INC.

UNITED STATES GOVT.

OWNER

LOCKWOOD GREENE

ENGR. ARCHT.

REVISIONS

NO.	DATE	DESCRIPTION
1		
2		
3		
4		

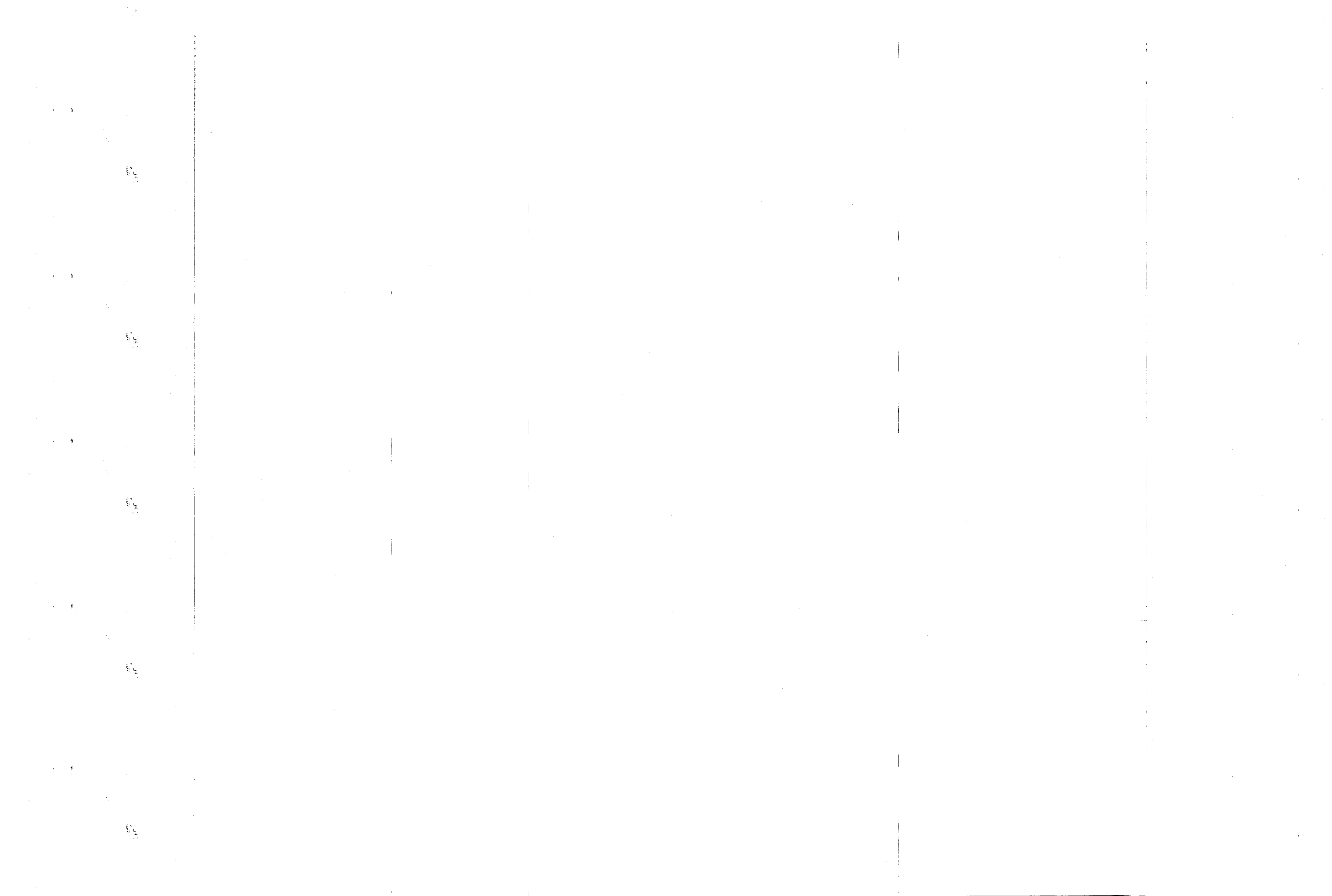
SHOP ORDER

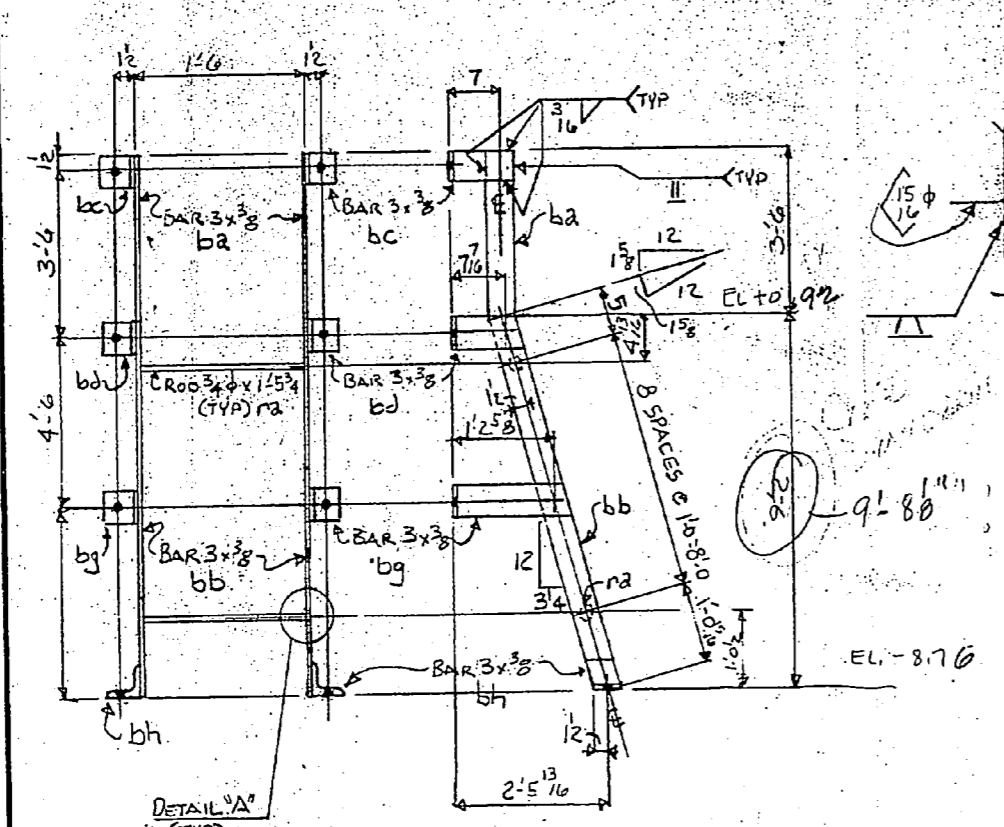
77-129

SHEET NO.

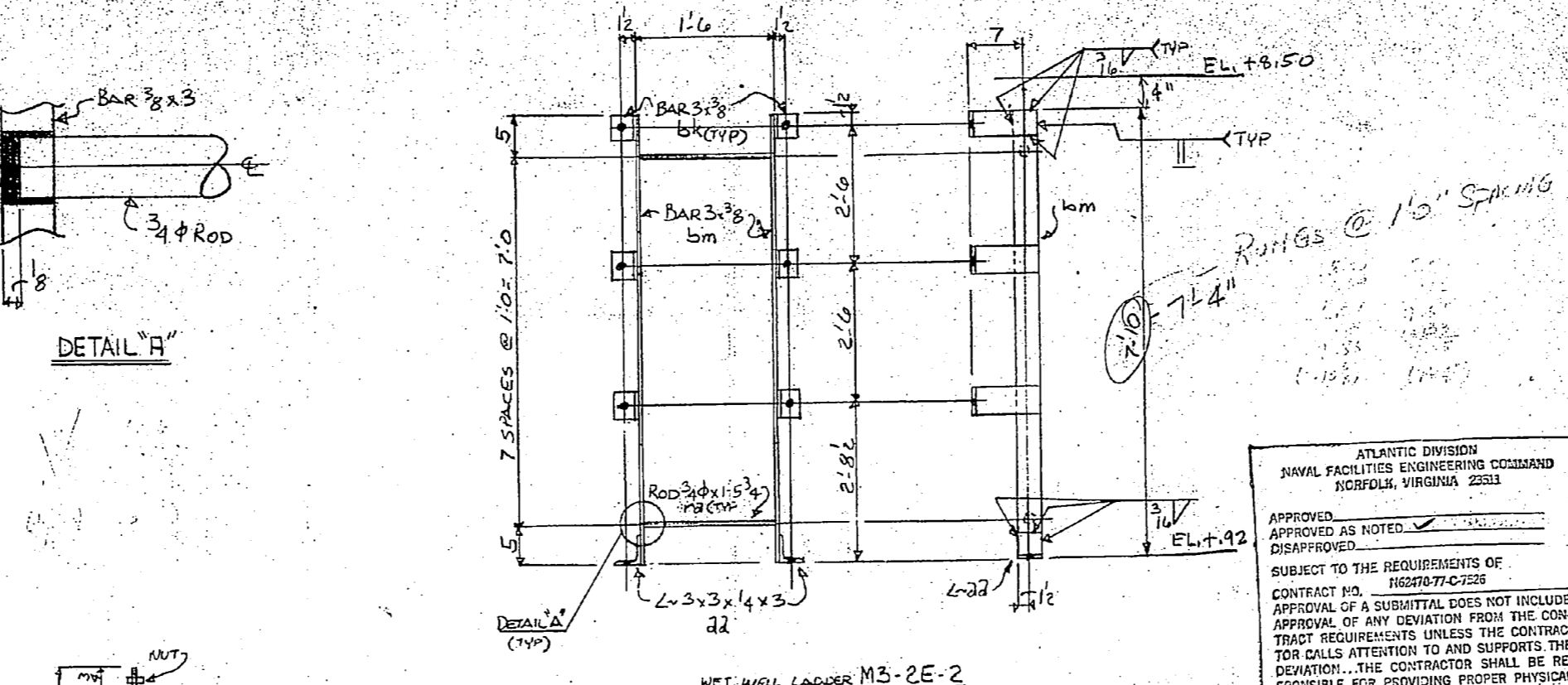
M2

MESI-69x55

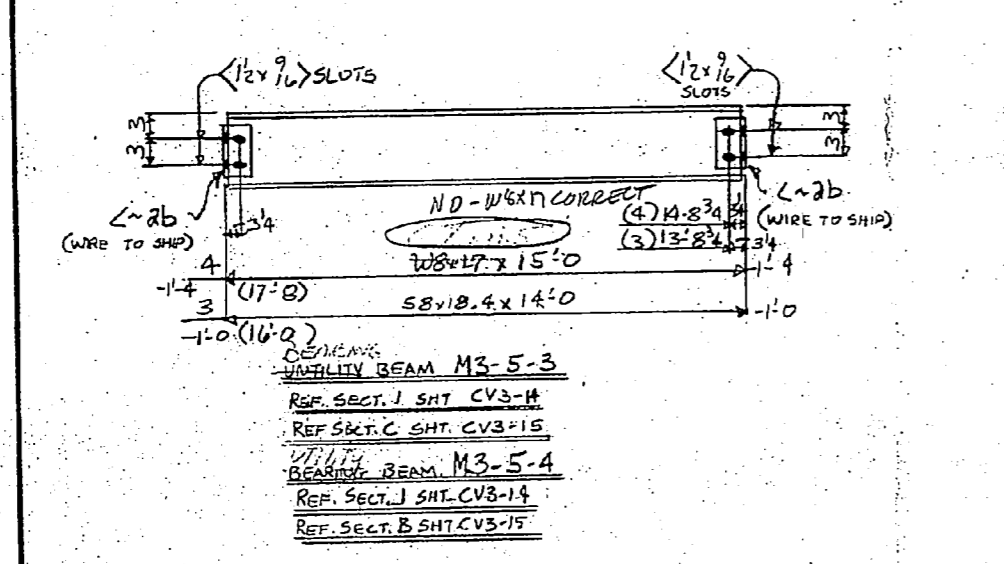




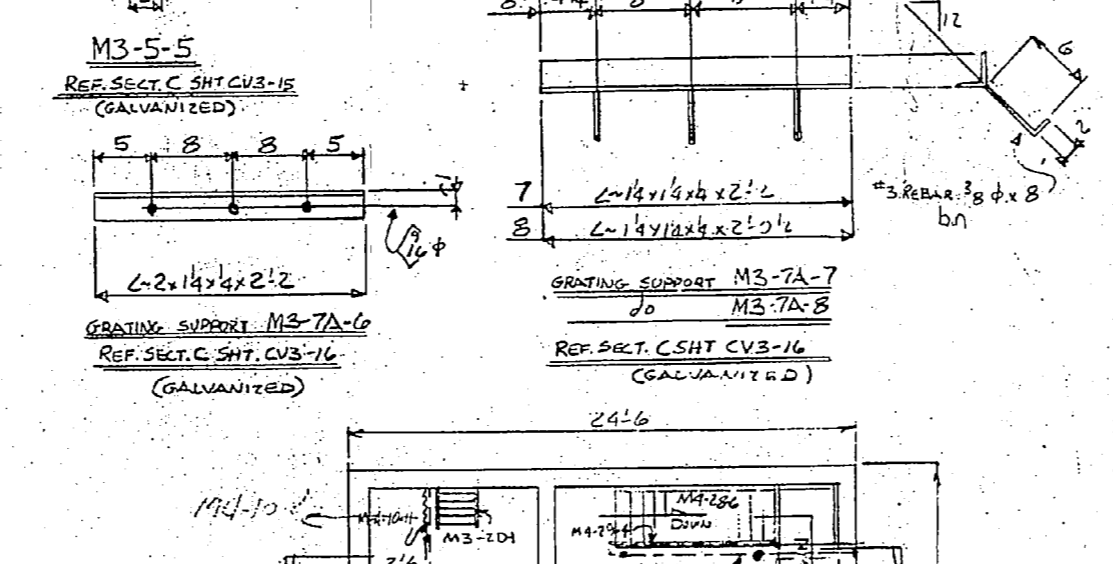
WET WELL LADDER M3-2D-1
 REF. SECT. B SHT. CV3-14
 (GALVANIZED AFTER FABRICATION)



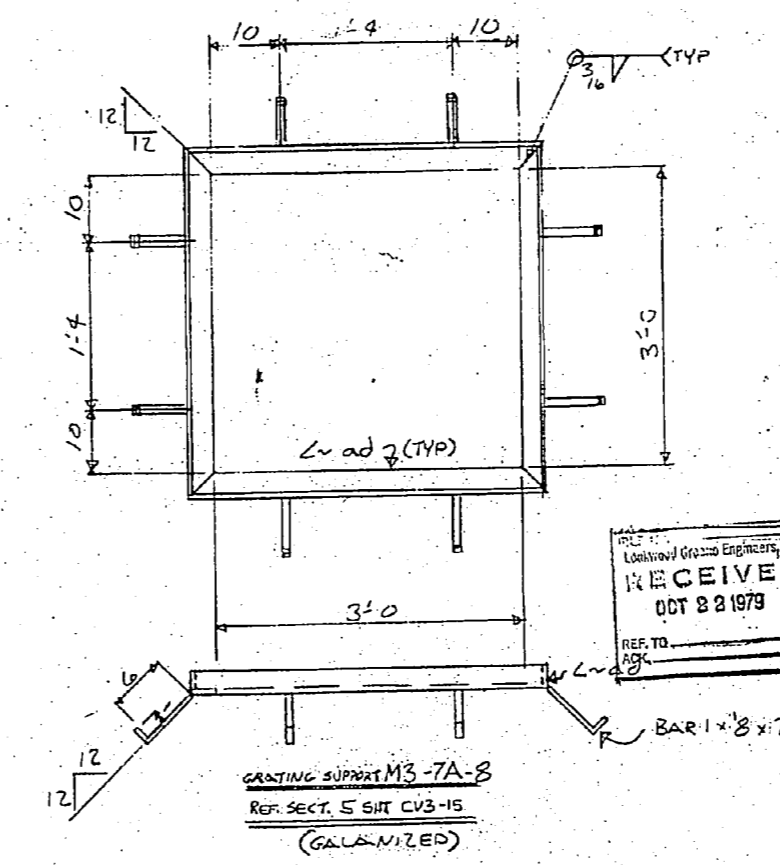
WET WELL LADDER M3-2E-2
 REF. SECT. A SHT. CV3-14
 (GALVANIZED AFTER FABRICATION)



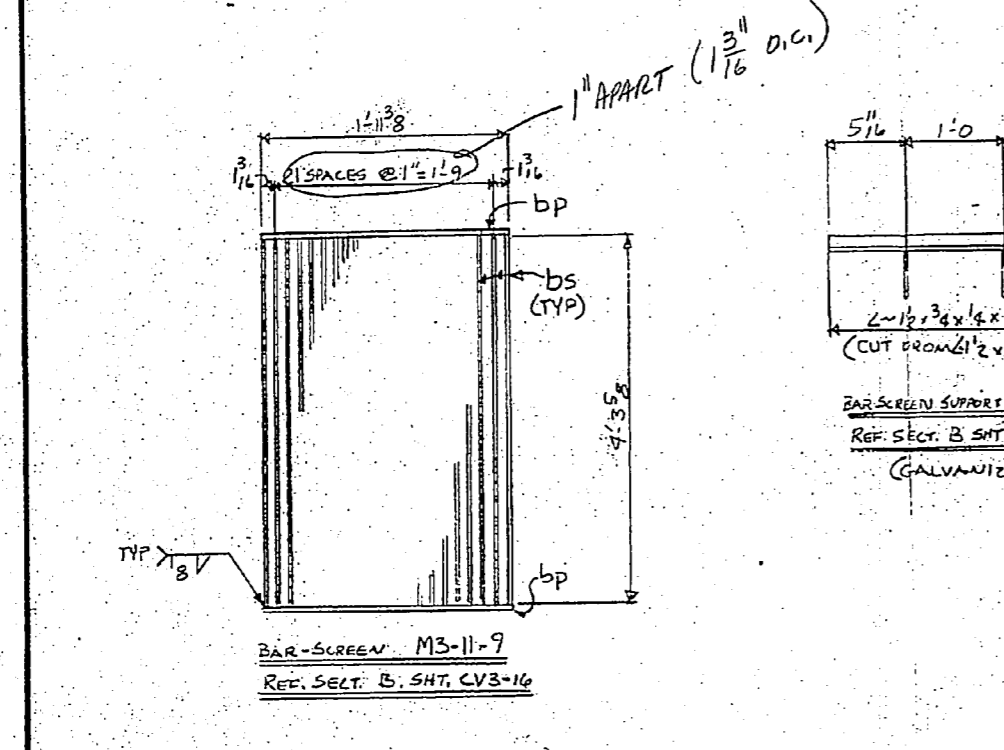
BEARING BEAM M3-5-3
 REF. SECT. J SHT. CV3-14
 REF. SECT. I SHT. CV3-14
 REF. SECT. K SHT. CV3-14
 REF. SECT. L SHT. CV3-14
 REF. SECT. M SHT. CV3-14



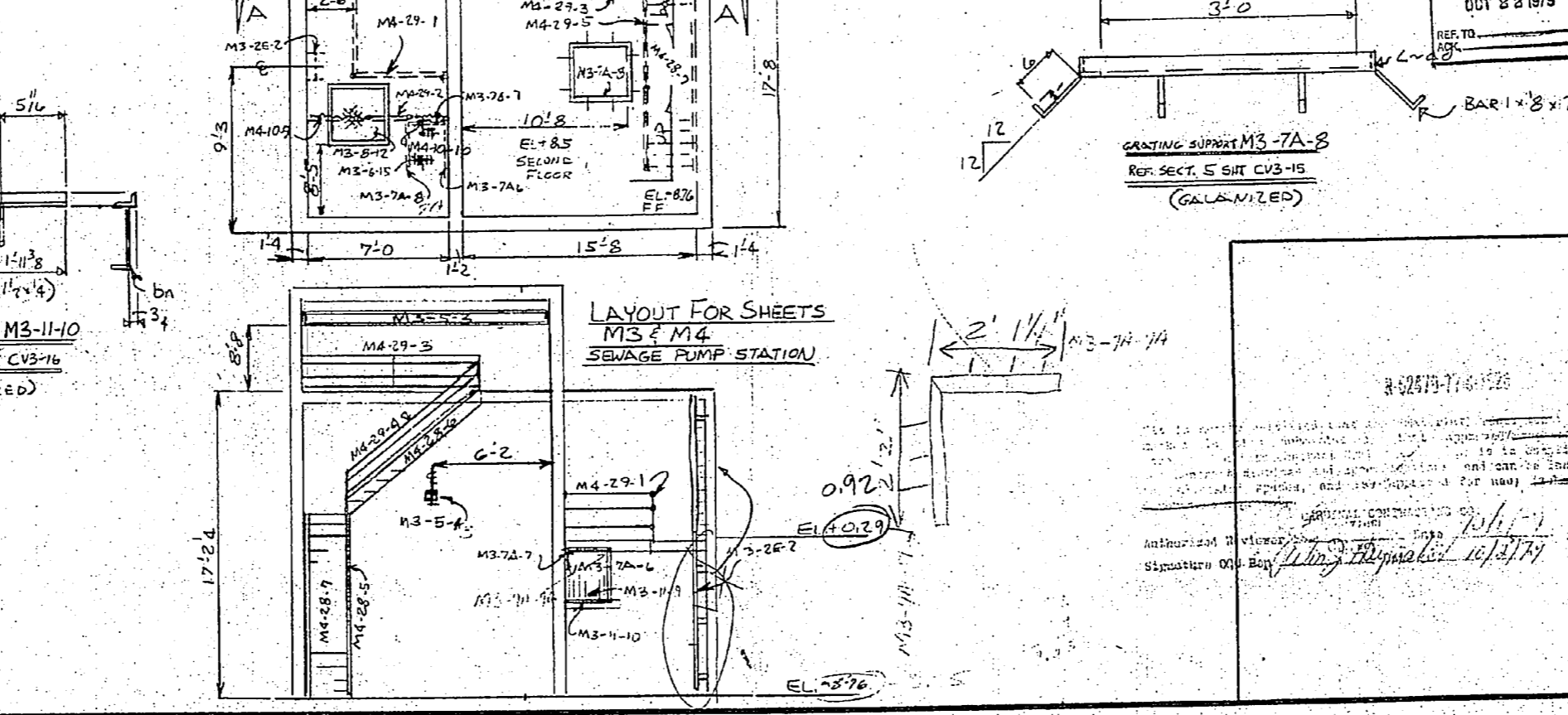
GRATING SUPPORT M3-7A-7
 REF. SECT. C SHT. CV3-16
 (GALVANIZED)



GRATING SUPPORT M3-7A-8
 REF. SECT. E SHT. CV3-16
 (GALVANIZED)



BAR-SCREEN M3-11-9
 REF. SECT. B SHT. CV3-16



LAYOUT FOR SHEETS M3 E M4 SEWAGE PUMP STATION

BILL OF MATERIAL									
ITEM	MARK	NO.	DESCRIPTION	LENGTH	WGT.	REMARKS	WEIGHT	NOTES	
ONE	M3-2D-1	1	LADDER						
		2	BAR 3/8 x 3	3 1/2	1.2				
		2	BAR 3/8 x 3	7 1/2	1.2				BENT
		2	R 3/8 x 3	0 11/2					
		2	R 3/8 x 3	1 7/8					
		2	R 3/8 x 3	0 1/2					
		7	ROD 3/4	1 5/8					
ONE	M3-2E-2	1	LADDER						
		6	R 3/8 x 3	0 1/2					BENT
		2	BAR 3/8	7 10					
		2	L 3/8 x 4	0 3					
		2	R 3/8 x 3	0 1/2					
		8	ROD 3/4	1 5/8					
ONE	M3-5-3	1	BEARING BEAM						
		4	L 5 x 3 1/2 x 4	0 6					
ONE	M3-5-4	1	BEARING BEAM						
		4	L 5 x 3 1/2 x 4	0 6					
8	M3-5-5	8	ANCHOR BOLTS						
ONE	M3-7A-6	1	L 2 x 1 1/2 x 4	2					
ONE	M3-7A-7	1	L 1 1/2 x 1 1/2 x 4	2					
		3	F3 BEAR 3/8	0 3					
ONE	M3-7A-8	1	GRATING SUPPORT FRAME						
		4	L 1 1/2 x 1 1/2 x 4	3 2 1/2					
		8	R 1/2 x 1	0 7					BENT
ONE	M3-11-9	1	BAR SCREEN						
		2	BAR 1 x 1/2	1 11/8					
		2	BAR 1 x 1/2	4 3/8					
ONE	M3-11-10	1	BAR SCREEN						
		2	L 1 1/2 x 3/4 x 4	1 11/8					

PLAIN MATERIAL									
ONE	M3-8-11	1	BILCO TYPE "B" 3" SINGLE LEAF STEEL						
		1	DIAMOND PATTERN R. 3'0" x 3'0"						(GALVANIZED)
ONE	M3-8-12	1	BILCO TYPE "B" 3" SINGLE LEAF STEEL						(GALVANIZED)
		1	DIAMOND PATTERN R. 3'0" x 2'6"						(GALVANIZED)
ONE	M3-8-13	1	BILCO TYPE "K-D" 4" DOUBLE LEAF ALUM.						(GALVANIZED)
		1	DIAMOND PATTERN R. 5'0" x 5'0"						(GALVANIZED)
ONE	M3-6-14	1	BLAU KNOW TYPE J21 3'1 1/2 x 3'1 1/2						(GALVANIZED)
		1	1 1/2" BEARING BAR 1 1/2" x 3/4"						(GALVANIZED)
ONE	M3-11-15	1	BLAU KNOW TYPE J21 2'0" x 2'4"						(GALVANIZED)
		1	1 1/2" BEARING BAR 1 1/2" x 3/4"						(GALVANIZED)
ONE	M3-6-16	1	L 4 x 4 x 5/8	4					(GALVANIZED)
ONE	M3-6-17	1	L 4 x 4 x 5/8	5					(GALVANIZED)

RIVER STEEL CORPORATION
 MONTGOMERY, ALABAMA

PRINT RECORD

NAVAL REGIONAL MEDICAL CENTER
 STRUCTURE OF SEWAGE PUMP STATION

DATE: 7-20-79 FOR APPROVAL
 DATE: 7-27-79 FOR MISC.

OWNER: UNITED STATES GOVT.
 CONTRACTOR: LOCKWOOD GREENE

REVISIONS: 1 2 3 4
 SHOP ORDER: 79-129
 SHEET NO.: M3

DATE: 7-27-79

ATLANTIC DIVISION
 NAVAL FACILITIES ENGINEERING COMMAND
 NORFOLK, VIRGINIA 23511

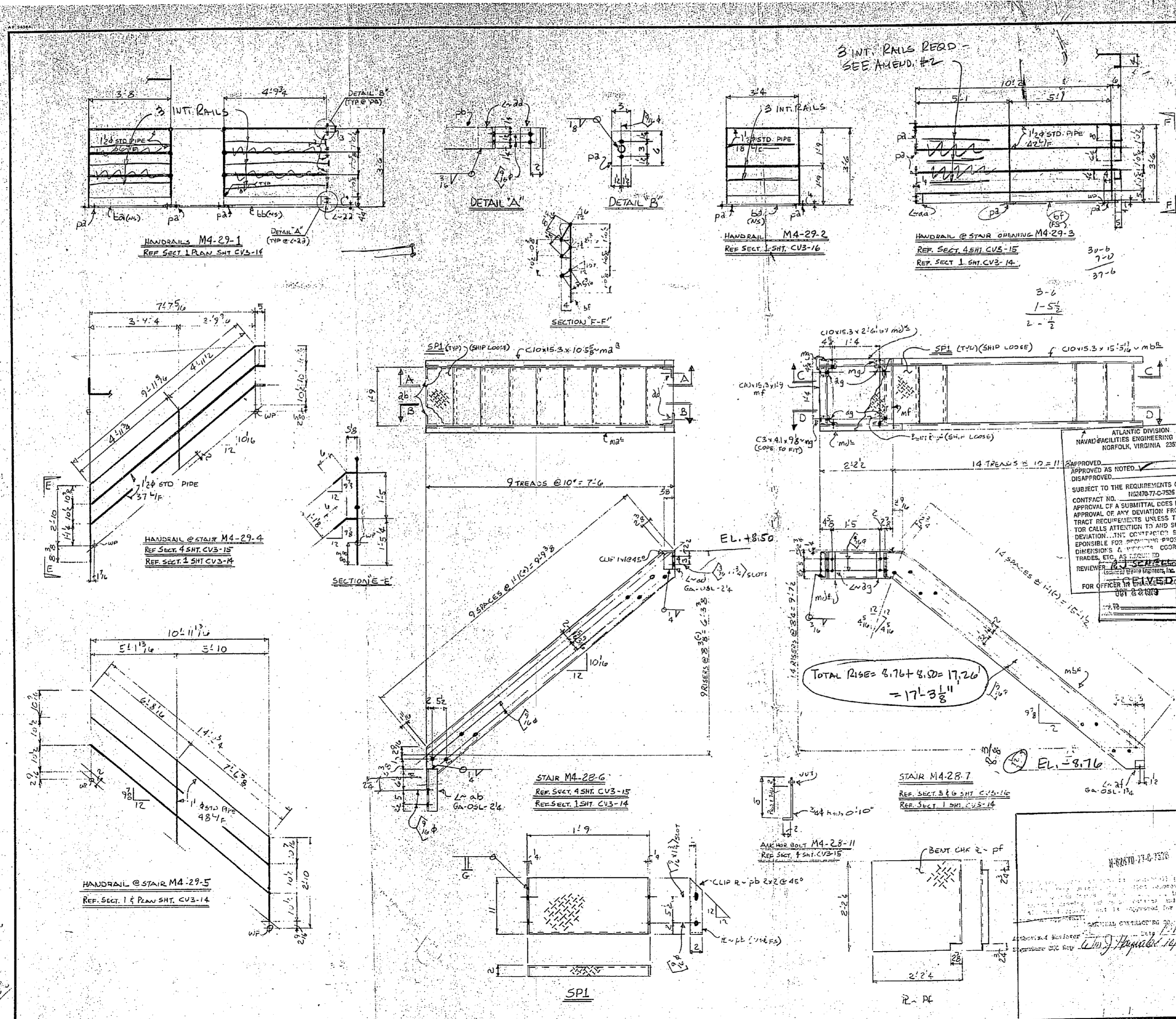
APPROVED AS NOTED
 SUBJECT TO THE REQUIREMENTS OF CONTRACT NO. H46704-2308

APPROVAL OF A SUBMITTAL DOES NOT INCLUDE APPROVAL OF ANY DEVIATION FROM THE CONTRACT REQUIREMENTS UNLESS THE CONTRACTOR CALLS ATTENTION TO AND SUPPORTS THE DEVIATION. THE CONTRACTOR SHALL BE RESPONSIBLE FOR PROVIDING PROPER PHYSICAL DIMENSIONS & WEIGHTS, COORDINATION OF TRADES, ETC. AS REQUIRED.

REVIEWER: [Signature] DATE: 11/1/79
 FOR OFFICER IN CHARGE OF CONSTRUCTION

RECEIVED
 OCT 8 1979





BILL OF MATERIAL									
QTY	MARK	NO. NO.	DESCRIPTION	LENGTH FT.	DIAM. IN.	FAB. MARK	WEIGHT	NOTE	
ONE	M4-29-1	1	HANDRAIL 1 3/4"						
		36	1/2" STD PIPE	0	1 1/2	pd			
		5	R-4x4	3	3	bf			
		1	R-4x4	4	3 1/2	bf			
		1	R-4x3 1/4	0	4	ad			
ONE	M4-29-2	1	HANDRAIL 1 1/2"						
		18	1/2" STD PIPE	0	1 1/2	pd			
		1	R-4x4	3	4	bf			
ONE	M4-29-3	1	HANDRAIL 1 3/4"						
		43	1/2" STD PIPE	0	1 1/2	pd			
		5	R-4x4	10	2	bf			
		1	R-4x4	10	2	bf			
ONE	M4-29-4	1	HANDRAIL 1 3/4"						
		37	1/2" STD PIPE	0	1 1/2	pd			
ONE	M4-29-5	1	HANDRAIL 1 3/4"						
		48	1/2" STD PIPE	0	1 1/2	pd			
ONE	M4-28-6	1	STAIR						
		1/1	C10x15.3	10	5 1/2	mb			
		2	C-4x4.3	0	6	ad			
		2	C-4x4.3	1	2	ab			
		9	C-4x4.3	1	8	SPI			BENT
		12	C-4x4.3	0	11	pb			CUT OFF
ONE	M4-28-7	1	STAIR						
		1/1	C10x15.3	15	5 1/2	mb			
		1/1	C10x15.3	2	6	mb			
		2	C10x15.3	1	9	mk			
		2	C-3x3.3	0	3	at			
		4	C-3x3.3	7	10	ag			
		4	C3x4L	0	9 1/2	mb			COPE
		14	C3x4L	0	9 1/2	mb			COPE
		38	C3x4L	0	9 1/2	mb			COPE
		1	CHK 2-12 1/2 x 3/4	2	4 1/2	pf			BENT
		1	CHK 2-12 1/2 x 3/4	2	4 1/2	pf			BENT

PLAIN MATERIAL					
ONE	M4-10-8	1	5/8 CHAIN 1/4" DIA	3	0
ONE	M4-10-9	1	5/8 CHAIN 1/4" DIA	2	2
ONE	M4-10-10	1	5/8 CHAIN 1/4" DIA	2	6

APPROVED AS NOTED		DISAPPROVED	
SUBJECT TO THE REQUIREMENTS OF SECTION 17.02.03			
CONTRACT NO. APPROVAL OF A SUBMITTAL DOES NOT INCLUDE APPROVAL OF ANY DEVIATION FROM THE CONTRACT REQUIREMENTS UNLESS THE CONTRACTOR CALLS ATTENTION TO AND SUPPORTS THE DEVIATION. THE CONTRACTOR SHALL BE RESPONSIBLE FOR OBTAINING PROPER COORDINATION OF TRADES, ETC. AS NECESSARY.			
REVIEWER: [Signature]			
FOR OFFICER IN CHARGE OF CONSTRUCTION			
UNIT 821219			
11/1/79			

RIVER STEEL CORPORATION MONTGOMERY, ALABAMA		UNIVERSAL REGIONAL MEDICAL CENTER STRUCTURE @ SCHAFFER BLDG STATION STAIRS & HANDRAILS	
DATE: 7-26-79		DETAIL: 10/16/79	
DRAWN BY: [Signature]		CHECKED BY: [Signature]	
OWNER: UNITED STATES GOVT.		ENGINEER: LOCKWOOD GREENE	
NO. OF SHEETS: 1		SHEET NO.: M4	
REVISED:		SHOP ORDER:	
1		79-129	

