

DIM.	DUST COLLECTOR			
	70	145	260	310
A	51 1/8	87 1/8	87 1/8	107 1/8
B	47 3/4	83 3/4	83 3/4	103 3/4
C	36 1/2	72 1/2	72 1/2	88 1/2
D	4	4	4	4
E	7 1/4	7 1/2	7 1/2	7 1/2
F	9	9	9	9
G	24 1/4	24 1/4	24 1/4	24 1/4
H	29 1/4	29 1/4	29 1/4	29 1/4
J	37 1/4	37 1/4	37 1/4	37 1/4
K	6 5/8	6 5/8	6 5/8	6 5/8
L	17	17	17	17
M	25 1/2	25 1/2	25 1/2	25 1/2

1/2 FNPT PLANT AIR INLET AT 80 THRU 120 PSI.

FINAL DRAWING

NOTICE
 This drawing and the information contained therein is the property of Systems Engineering & Mfg. Co., Inc., and is loaned with the understood agreement that it will not be reproduced, copied or otherwise disposed of, directly or indirectly, and will not be used, in whole or in part, to furnish any information for the making of apparatus or the practicing of any process without written permission of Systems Engr. & Mfg. Co., Inc., first obtained and specific as to each case. The acceptance of this drawing will be construed as an acceptance of the foregoing statement.

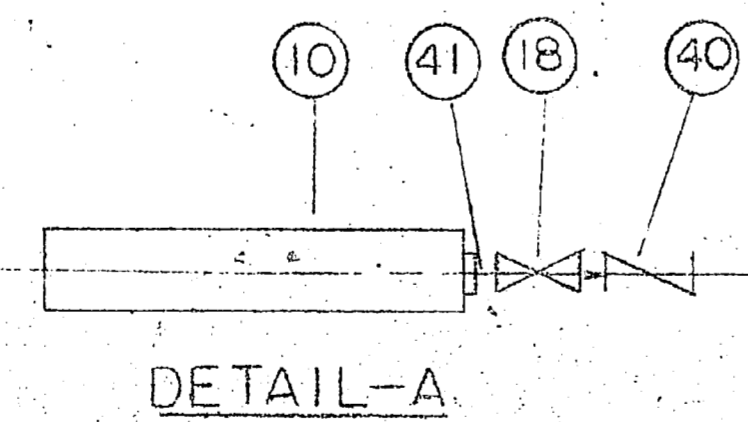
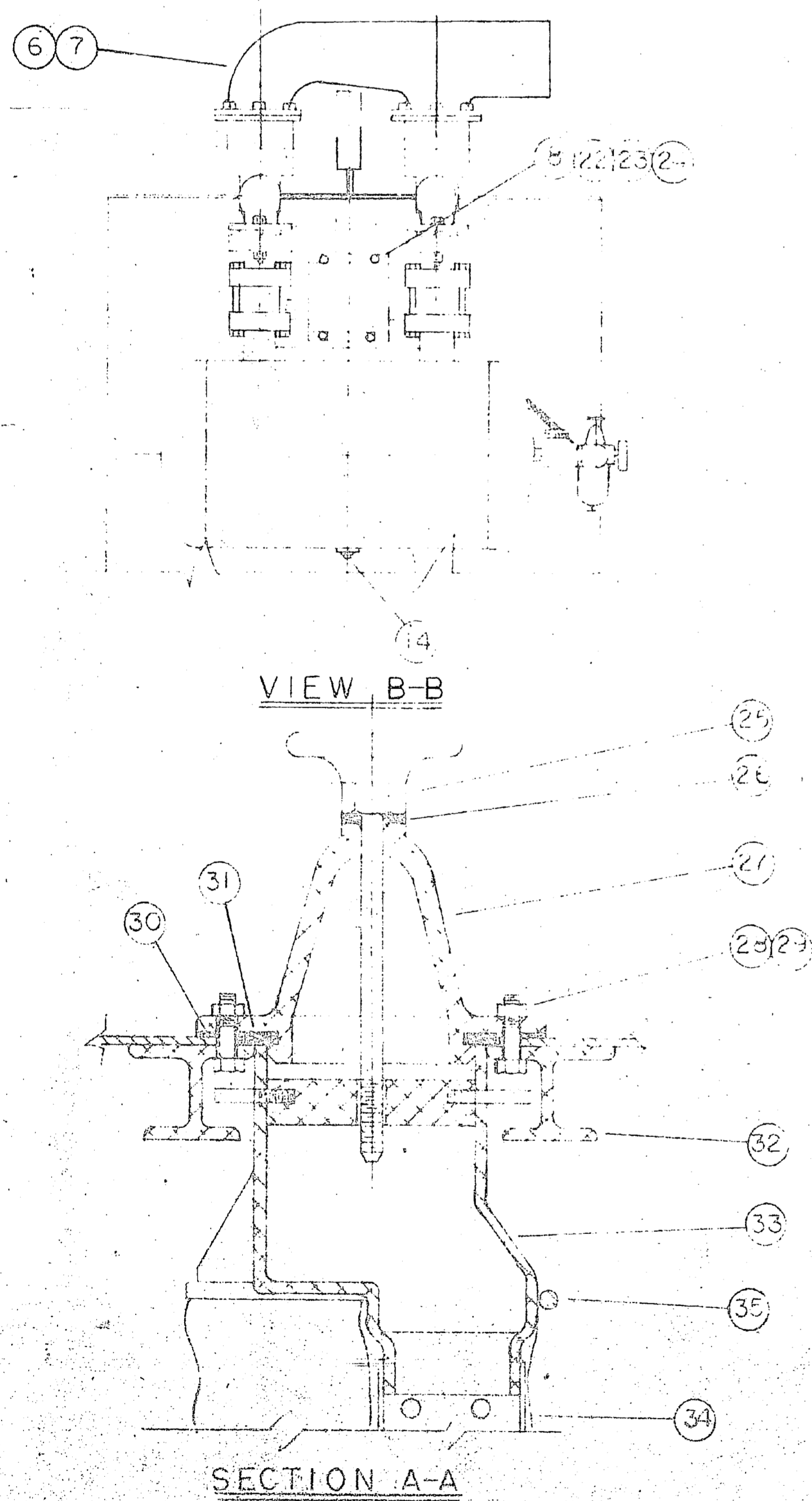
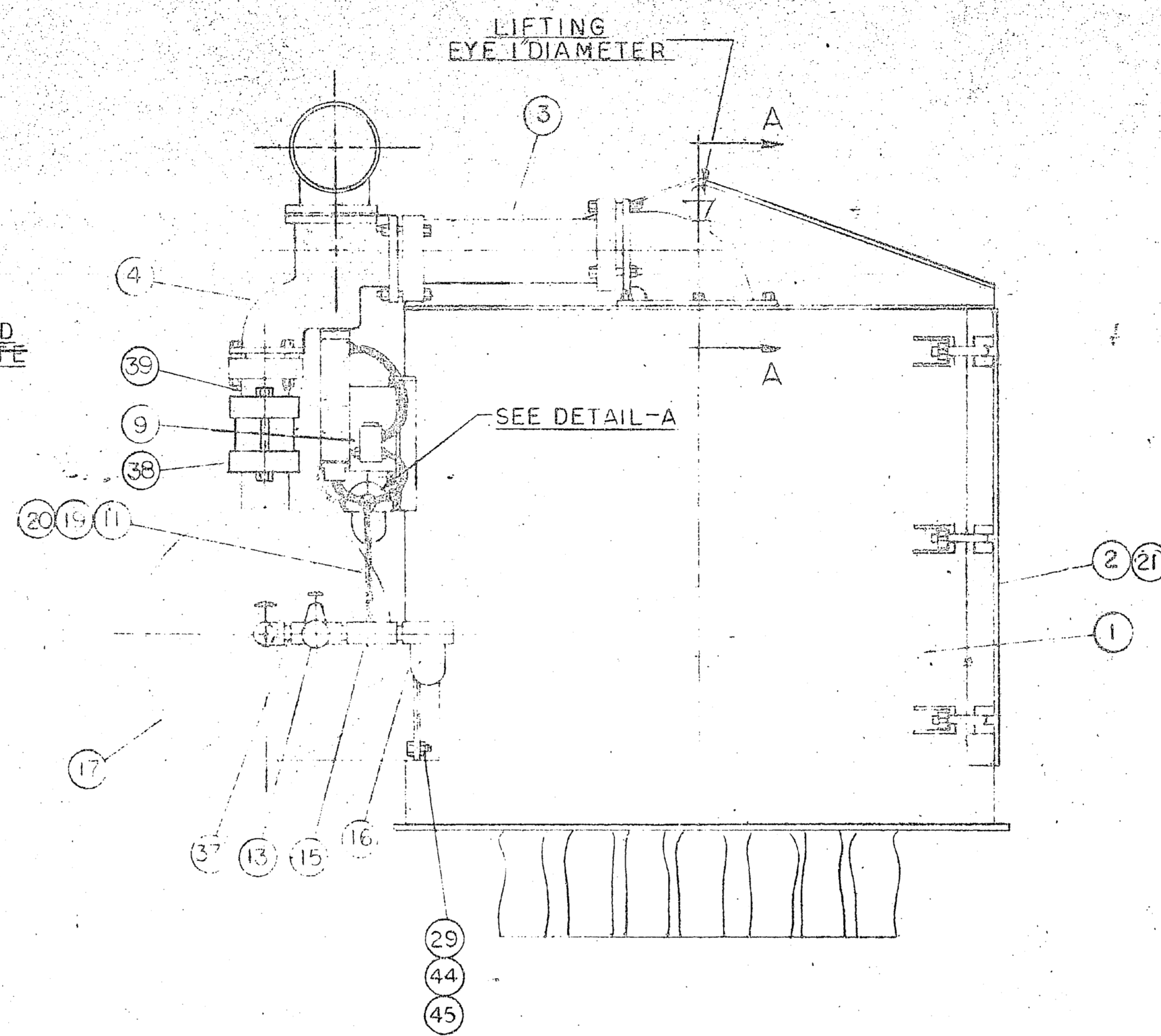
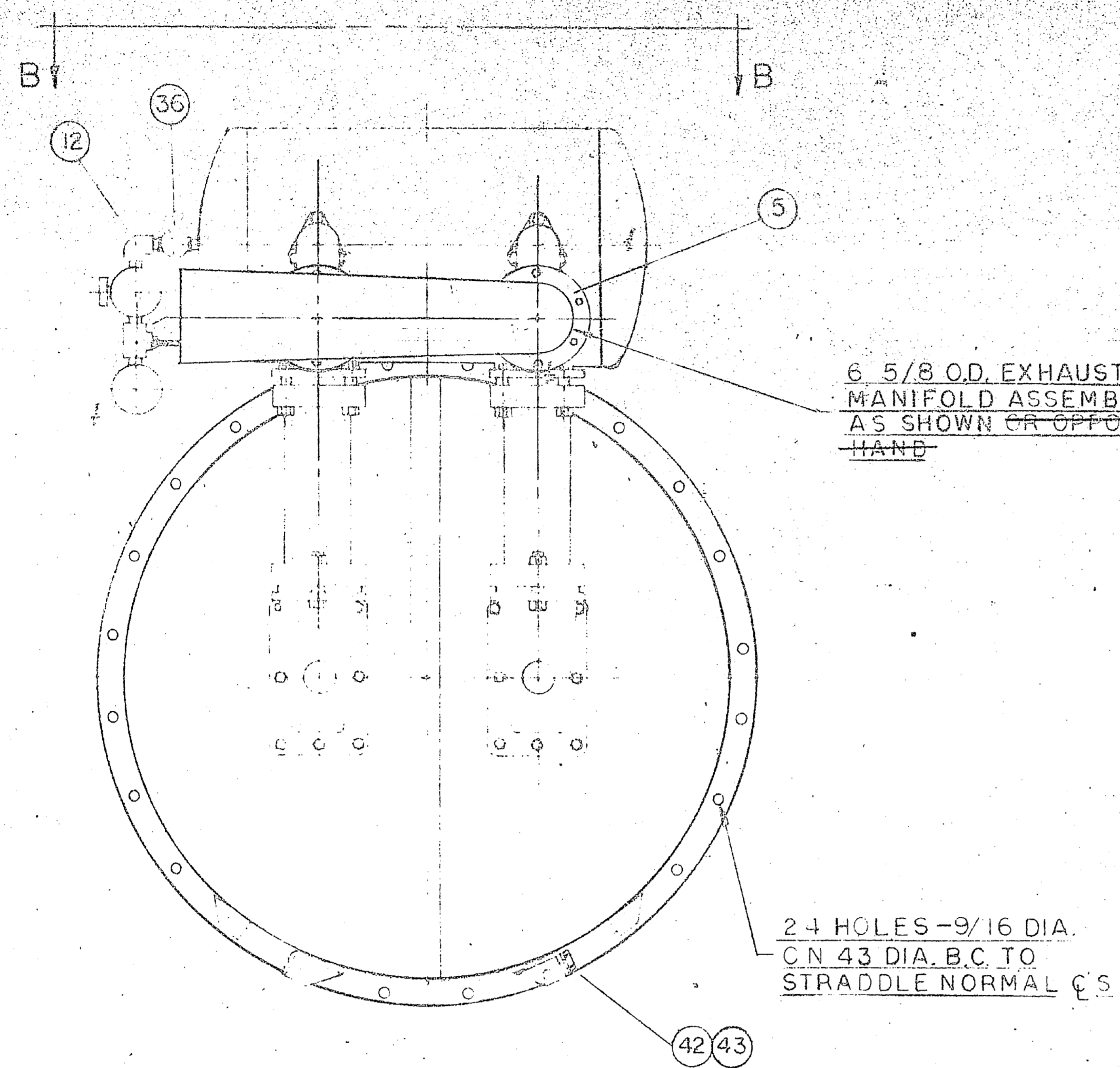
Date: 1/27/51
 APPROVED: [Signature]
 Subject To Meet Of Job Plans & Specifications
 By: [Signature]
 Quality Control Representative

ITEM	PART NO.	DESCRIPTION	MATERIAL	QTY.
		SYSTEMS ENGINEERING AND MANUFACTURING CO., INC. 6330 WASHINGTON AVENUE HOUSTON, TEXAS 77002		
		DC-70 THRU DC-310 DUST COLLECTOR WITH AIR INLET		
DRWN	REV	PROJ NO	ECO	
CHKD	BY	YCD	BY	BY
APPR	DATE	CHKD	DATE	DATE
DATE: 2-2-51	APPR		DRW	NO. 27-16
SCALE NONE	DATE			

688,889

6

7

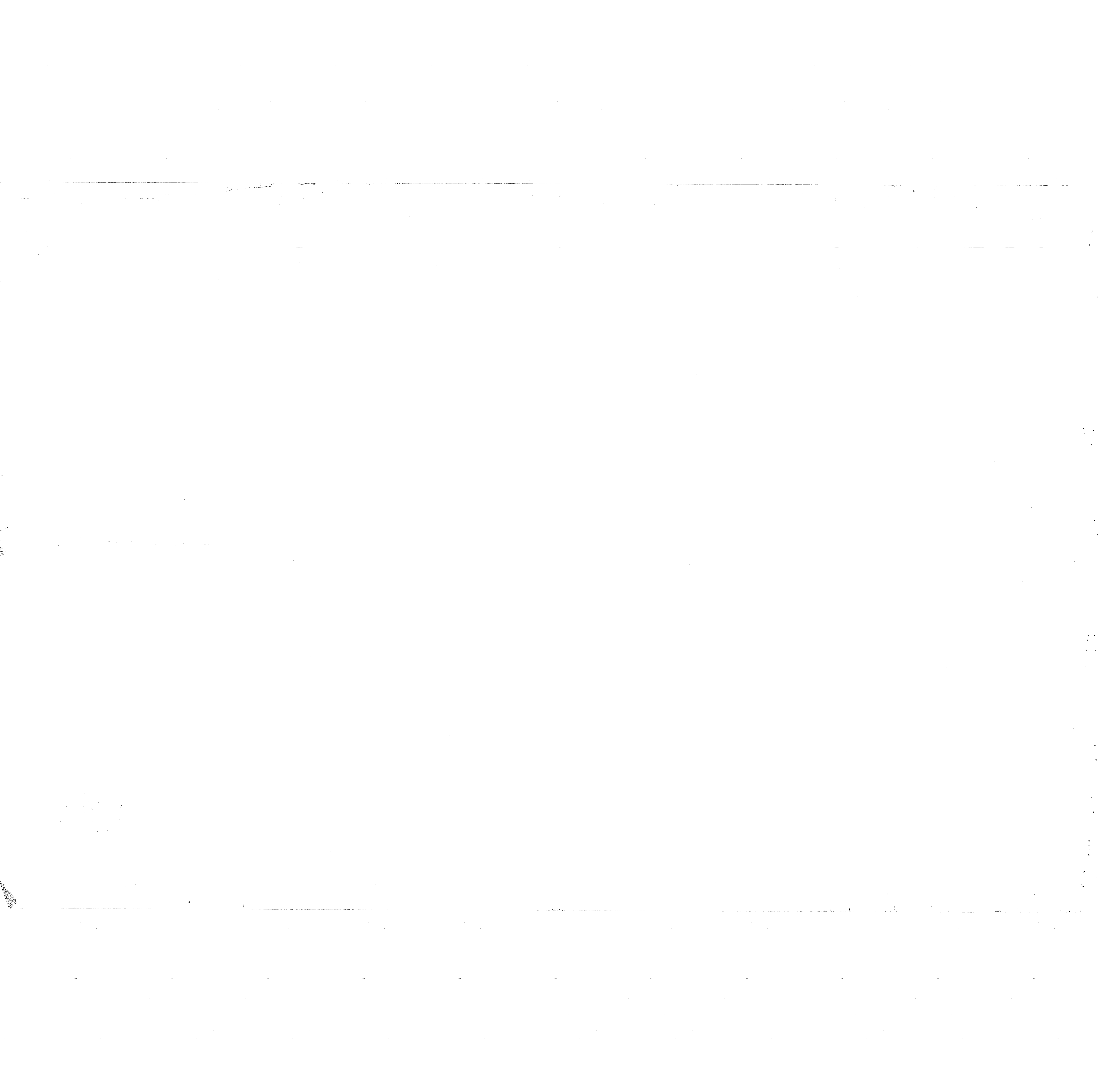


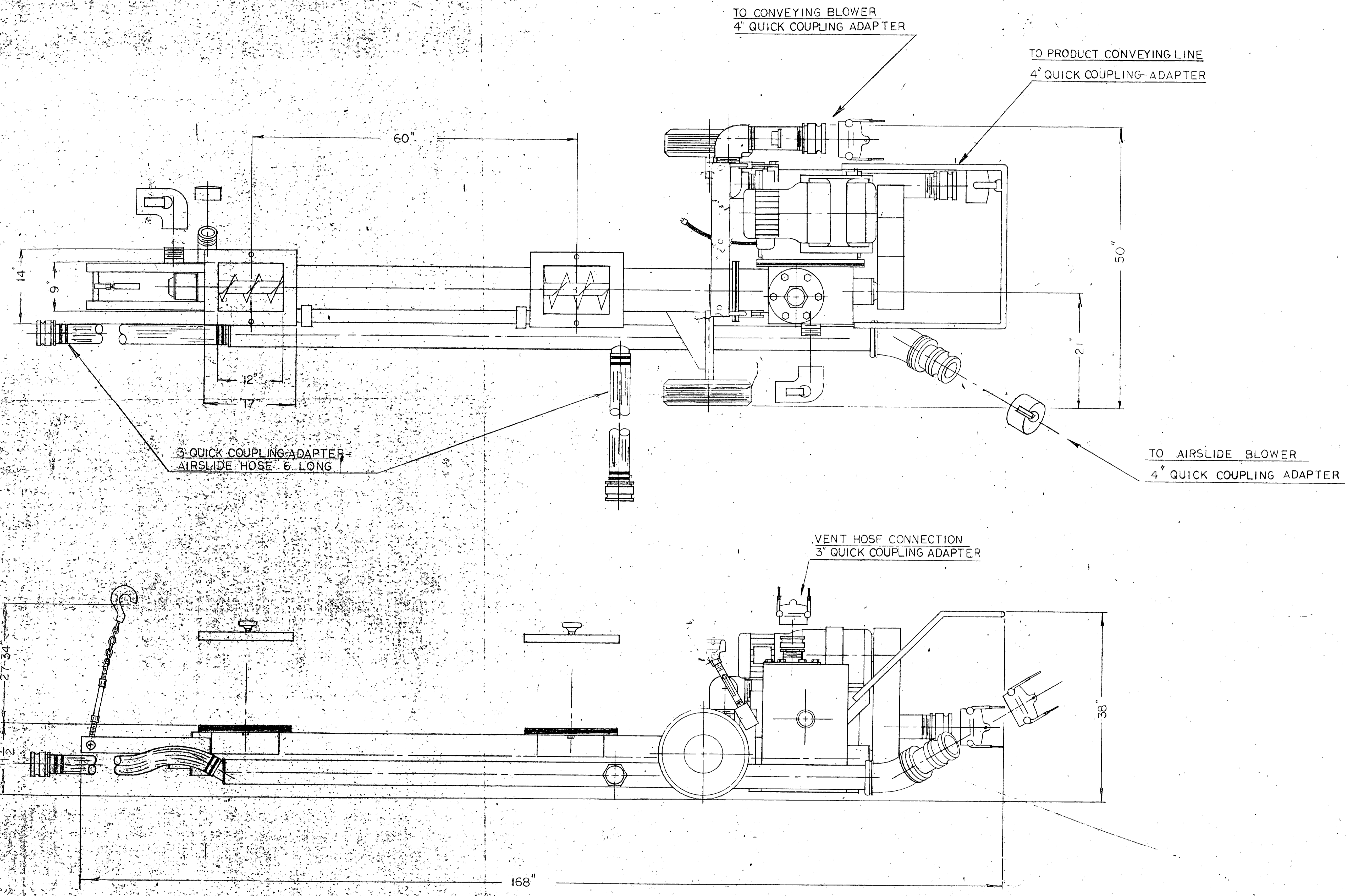
FINAL DRAWING

NOTICE
 This drawing and the information contained therein is the property of Systems Engineering & Mfg. Co., Inc., and is loaned with the expressed agreement that it will not be reproduced, copied or otherwise disposed of, directly or indirectly, and will not be used, in whole or in part, to furnish any information for the making of apparatus or the practicing of any process without written permission of Systems Engineering & Mfg. Co., Inc. Their name and address as to each case. The acceptance of this drawing will be construed as an acceptance of the foregoing statement.

45		3/8-LOCK WASHER	GALV.	4
44		3/8-16NC X 1/2 LG HEX HEAD CAP SCREW	GALV.	4
43		1/2-FLAT WASHER	GALV.	13
42		1/2-13NC HEX NUT	GALV.	13
41		1/4 NPT CLOSE NIPPLE	GALV.	2
40		CHECK VALVE 1/4 NPT SCHRADER #3047	BRASS	1
39		2 3/8 O.D. X 0.83 W.T. X 10' LONG TUBING	STEEL	2
38	0-011-100	LC-25 LINE COUPLING	ALUM.	2
37		1/2 NPT CLOSE NIPPLE	GALV.	5
36		GLOBE VALVE 1/2 NPT NIBCO #22 OR EQUAL	BRONZE	1
35		BAG CLAMP A56S OR EQUAL	S.S.	26
34	0-039-147A	FILTER BAG		25
33	0-039-168A	HEADER ASSEMBLY	ALUM.	1
32	0-039-78	HEADER BRACKET	ALUM.	1
31	0-039-144	HEADER CONNECTOR GASKET	NEOP.	2
30	0-039-146	HEADER CONNECTOR HOUSING TOP GASKET	NEOP.	2
29		3/8-16NC HEX NUT	GALV.	20
28		3/8-16NC X 1 1/2 LG HEX HEAD CAP SCREW	GALV.	20
27	0-039-269	4" SINGLE HEADER CONNECTOR ASSEMBLY	ALUM.	1
26	0-039-111	FILTER CLAMPING STUD GASKET	NYLON	1
25	0-039-208	FILTER CLAMPING STUD	GALV.	2
24		1/4 LOCK WASHER	CAD.	2
23	0-023-196S	CONTROL BOX SUPPORT	STEEL	1
22		1 1/4-20 NC X 3/4 LG HEX HEAD CAP SCREW	CAD.	2
21	0-023-197	DOOR GASKET	NEOP.	1
20	0-011-214B	5/16 OD TUBING MALE CONNECTOR 1/4 NPT	BRASS	10
19	0-011-215B	5/16 OD TUBING MALE ELBOW 1/4 NPT	BRASS	10
18	0-011-183	LUBRICATOR 1/4 NPT		
17	0-023-190A	PRESSURE TANK	GALV.	
16	0-011-174	MANUAL DRAIN FILTER 1/2 NPT		
15		TEE 1/2 X 1/2 X 1/4 NPT	GALV.	
14		1/2 NPT PIPE PLUG	GALV.	
13	0-011-173	PRESSURE REGULATOR 1/2 NPT		
12		1/2 NPT STD. ELBOW 90°	GALV.	
11		5/16 OD BLACK 1000' TUBING	NYLON	
10	0-023-199S	PLANT AIR MANIFOLD	STEEL	
9	0-011-205	4 WAY SINGLE COIL SOLENOID VALVE		
8	0-023-171	CONTROL BOX ASSEMBLY		
7		O RING NO AN 6227-59		
6		5/16-18NC X 1" HEX HEAD CAP SCREW	S.S.	
5	0-039-169	VACUUM AIR MANIFOLD	ALUM.	
4	0-039-267	4" FILTER PURGE VALVE ASSEMBLY	ALUM.	
3		4 1/2 O.D. X 0.95 W.T. X 14' LONG TUBING	STEEL	
2	0-023-196S	DOOR	STEEL	
1	0-023-194S	HOUSING	STEEL	

ITEM	PART NO.	DESCRIPTION	QUANTITY	UNIT
<p>SYSTEMS ENGINEERING AND MANUFACTURING CO., INC. 6330 WASHINGTON AVENUE HOUSTON, TEXAS 77057</p> <p>DCTV-70 DUST COLLECTOR W/ FLANGE MOUNT STEEL ASSY MODEL: FAD-100S WILBURTON MIL</p> <p>DRAWN: P.K.K. CHECKED: J.W. DATE: 11/2/66 ENGR: J.W. DATE: 11/2/66 APPR: J.W. DATE: 11/2/66 DATE: 11/2/66</p>				
1	DRIVER USED ITEM 39			
1	DRIVER USED ITEM 39			



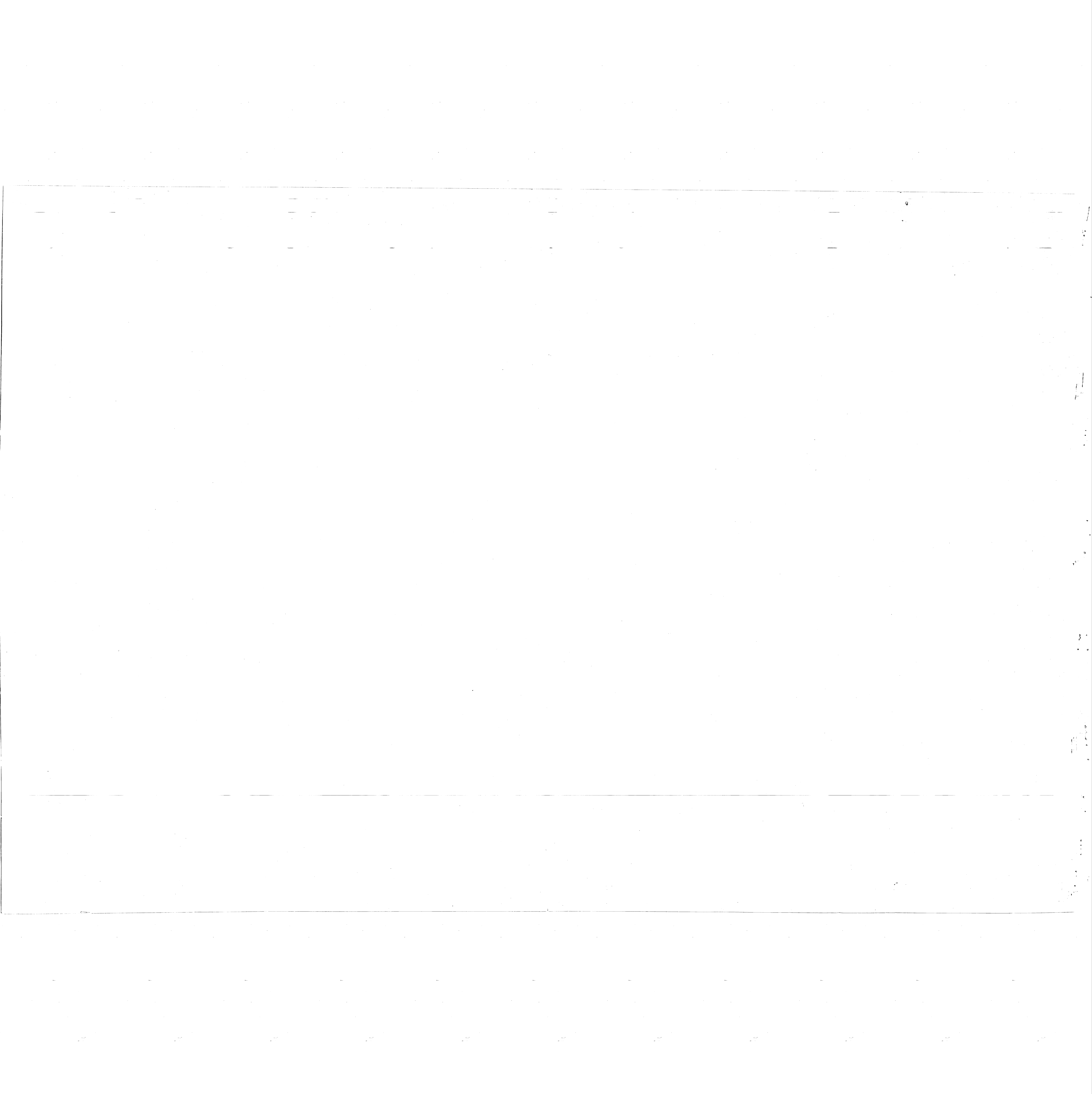


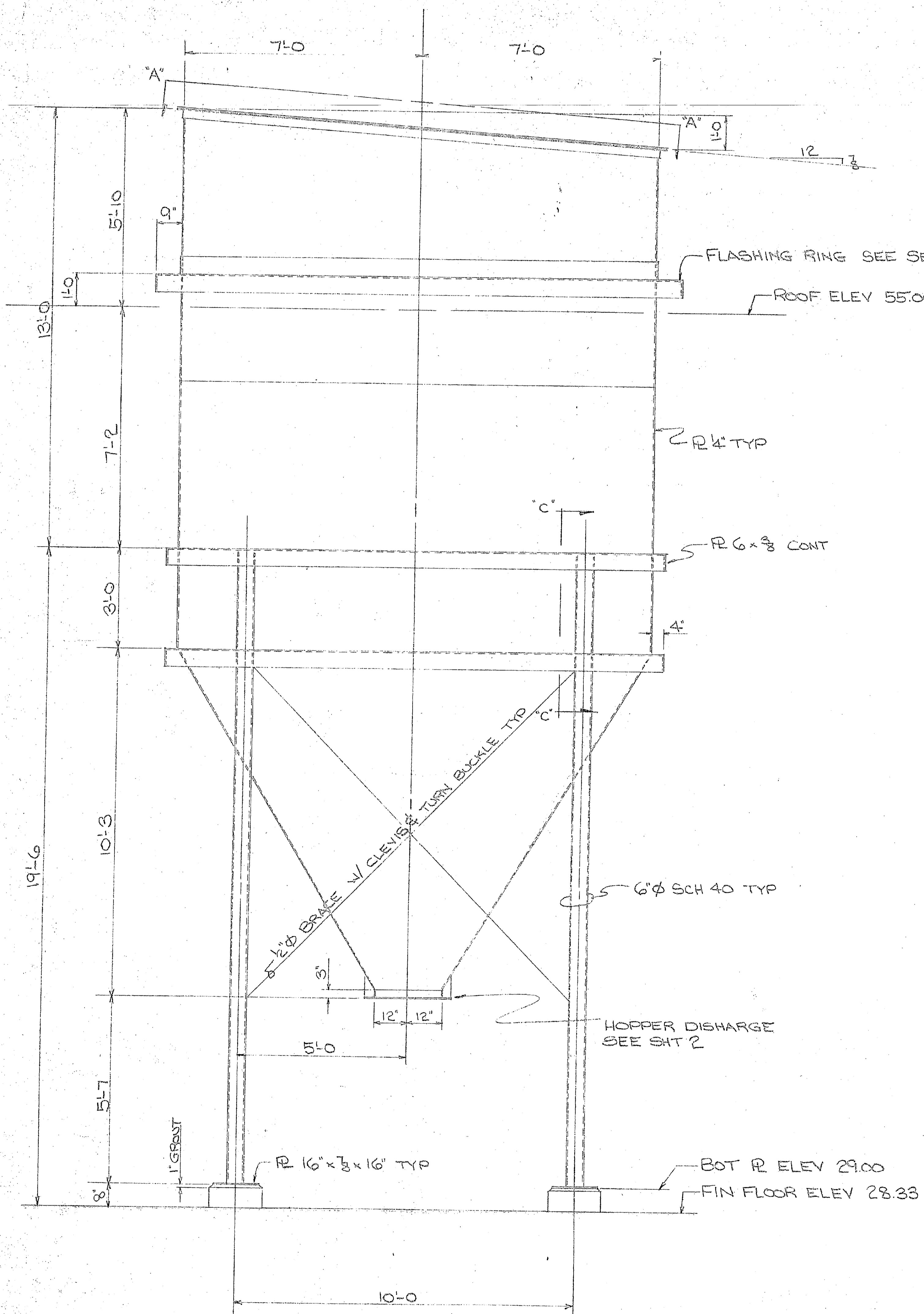
UNLOADER WEIGHT LESS MOTOR IS
1295 POUNDS.

NRFD 4-COPIES

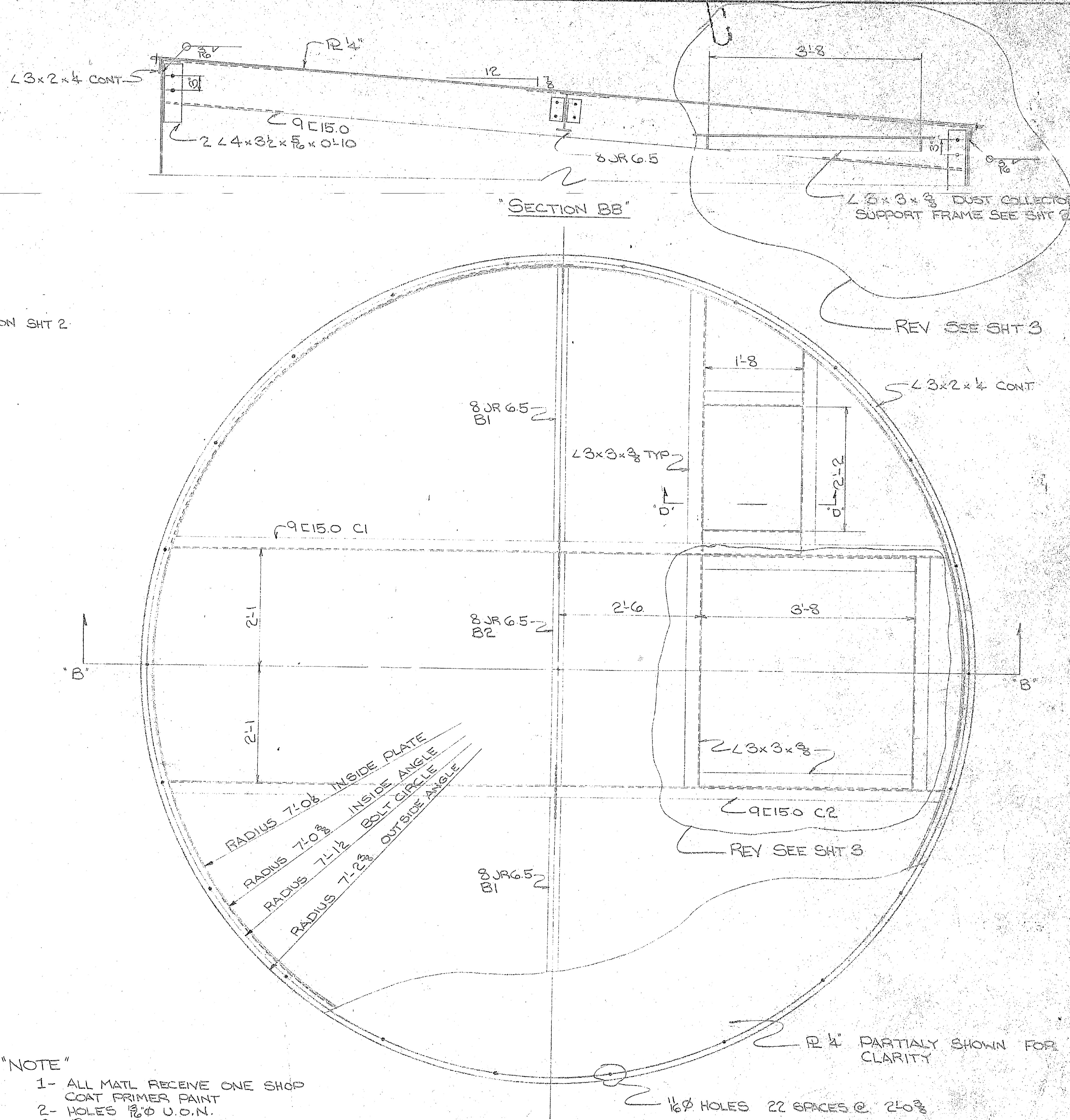
FINAL DRAWING
12/21/70 Date: 12/21/70
APPROVED
Subject To Meet Of
Web Plans & Specifications
By: [Signature]
Quality Control

ITEM	PART NO.	DESCRIPTION	DATE	NO. RECD.
SYSTEMS ENGINEERING AND MANUFACTURING CO., INC. 6330 WASHINGTON AVENUE HOUSTON, TEXAS 77007				
PORTABLE SCREW UNLOADER				
MODEL PC-74 SINGLE SPEED				
DRWN	JLB	PROG DESG	W/D	DATE
CHKD	TCO	CHKD	APPD	
1	2	3	4	5
BY: EGO	DATE	BY	DATE	SCALE 3/32" = 1"





"ELEVATION"
SCALE 1/2" = 1'-0"



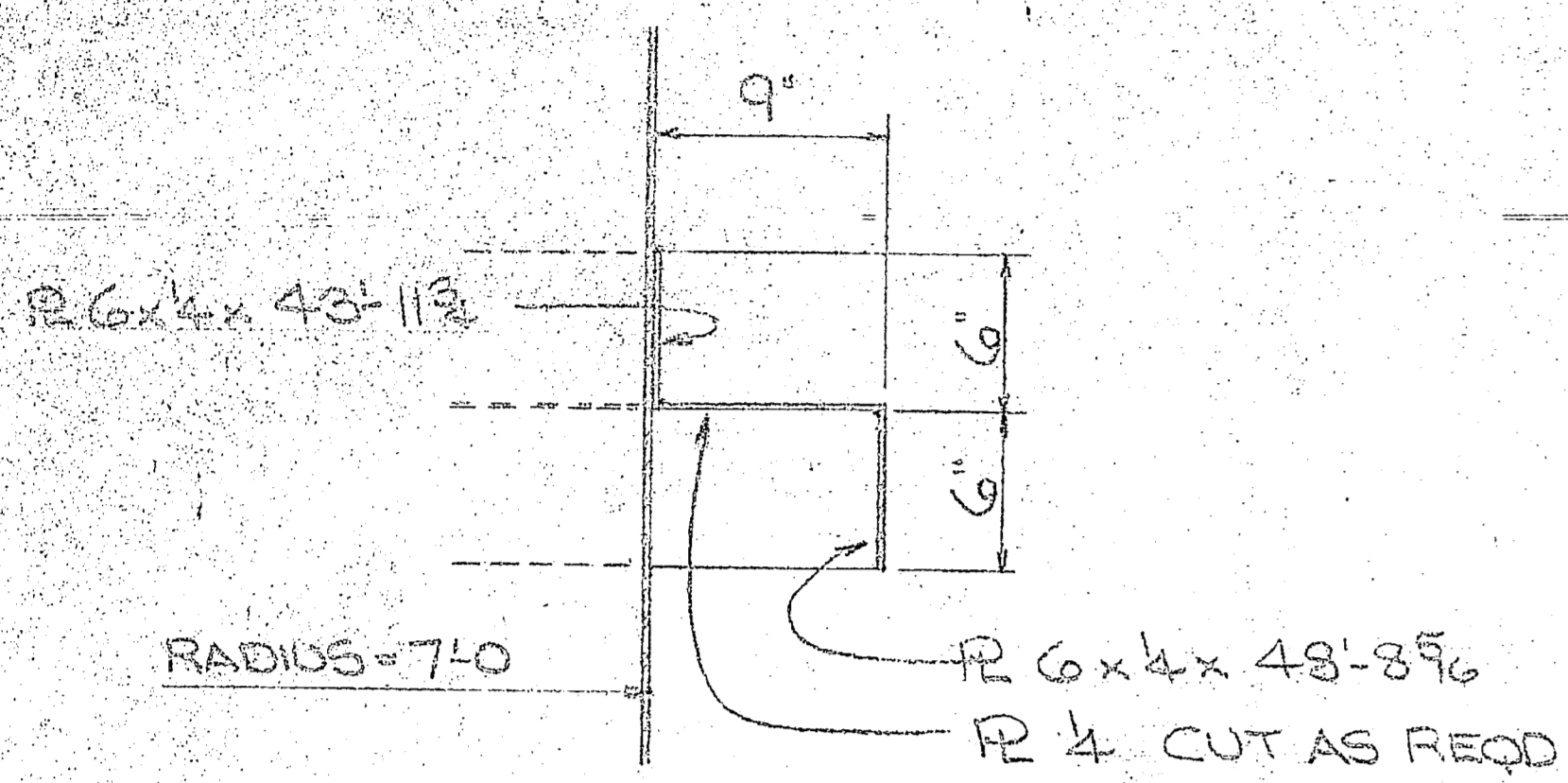
"VIEW AA"
SCALE 1" = 1'-0"

- "NOTE"
- 1- ALL METL RECEIVE ONE SHOP COAT PRIMER PAINT
 - 2- HOLES 1/2" U.O.N.
 - 3- BOLTS ASTM A325
 - 4- ALL WELDS FULL PENETRATION

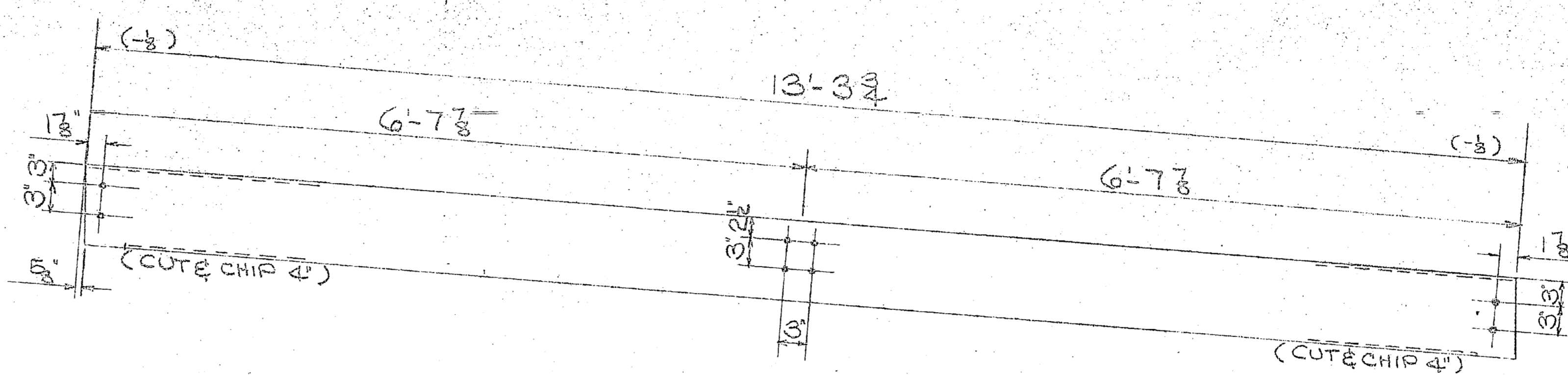
REVISIONS			LIME HOPPER - CORBIN CONSTRUCTION CORP	
NO.	DATE	BY	SCALE	APPROVED
1	12-20-70	NG		
2				
3				
4				
5				

Date 1/17/71
 APPROVED
 Subject To Issue Of
 Job Plans & Specifications
 By _____
 Quality Control Representative

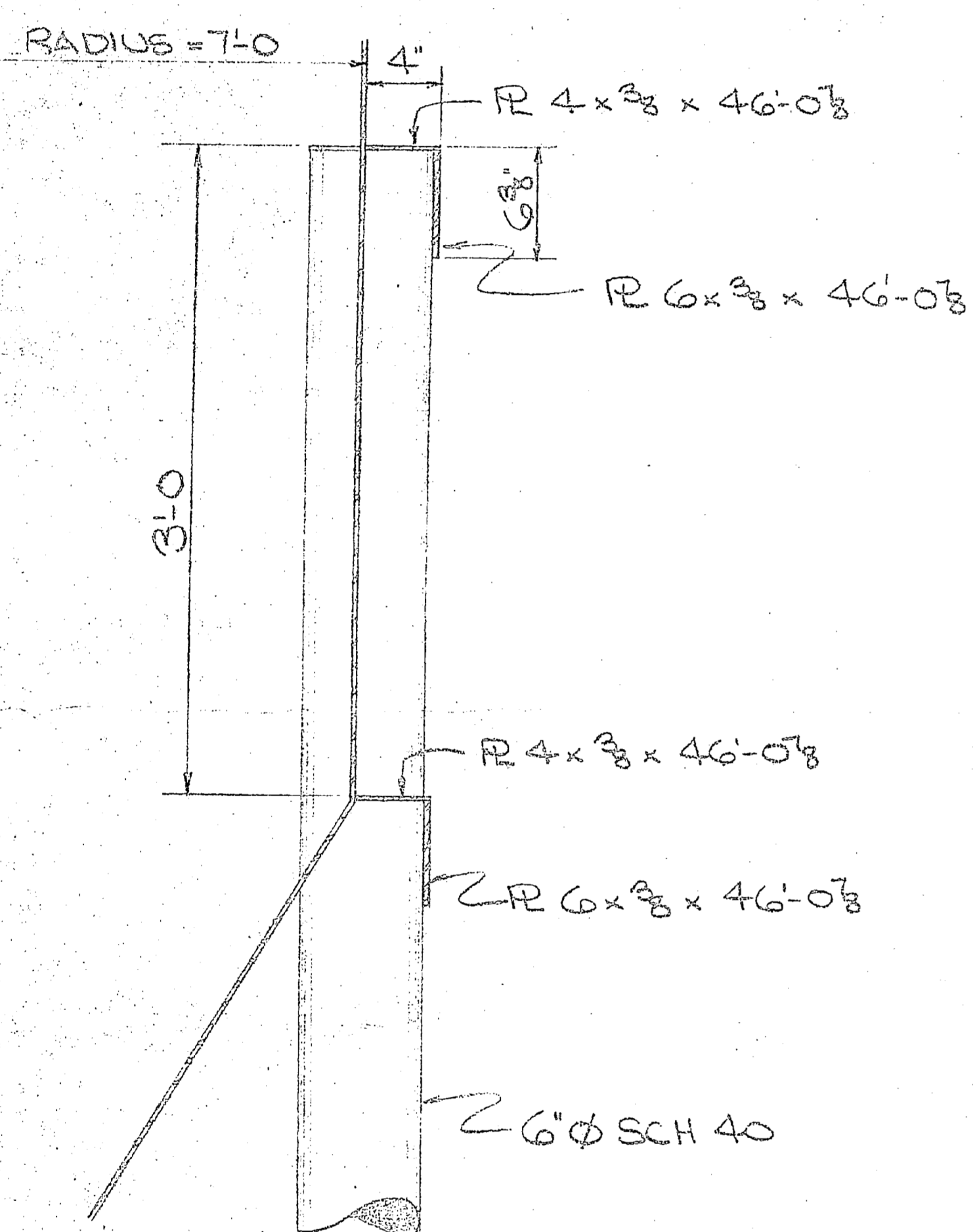




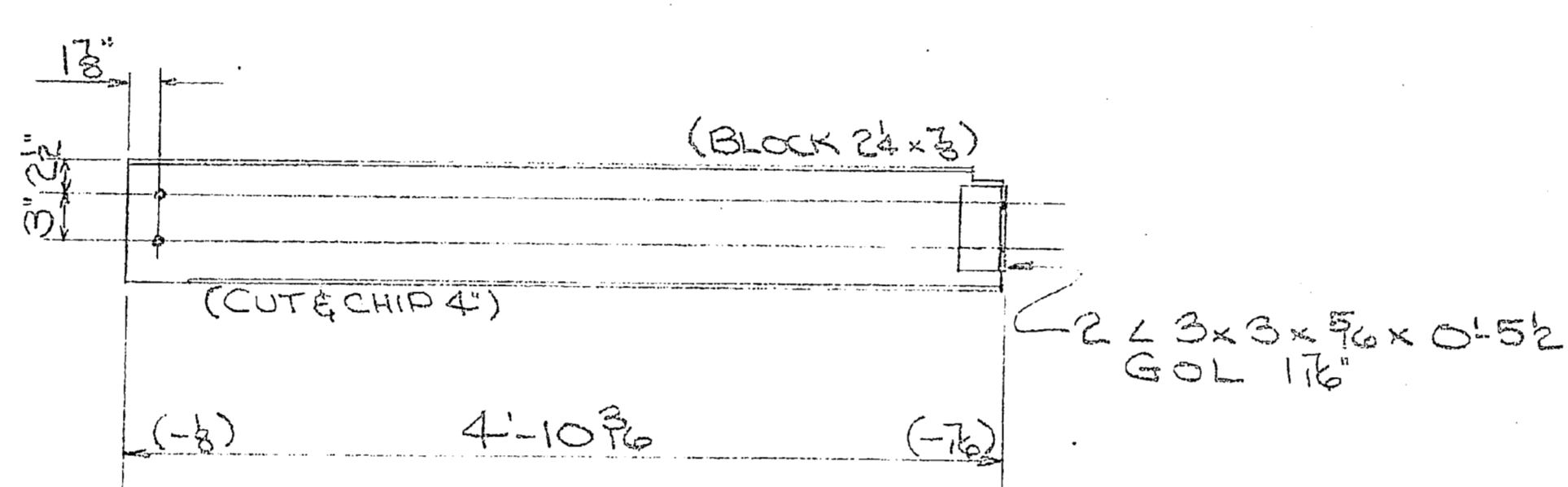
"FLASHING RING SECTION"



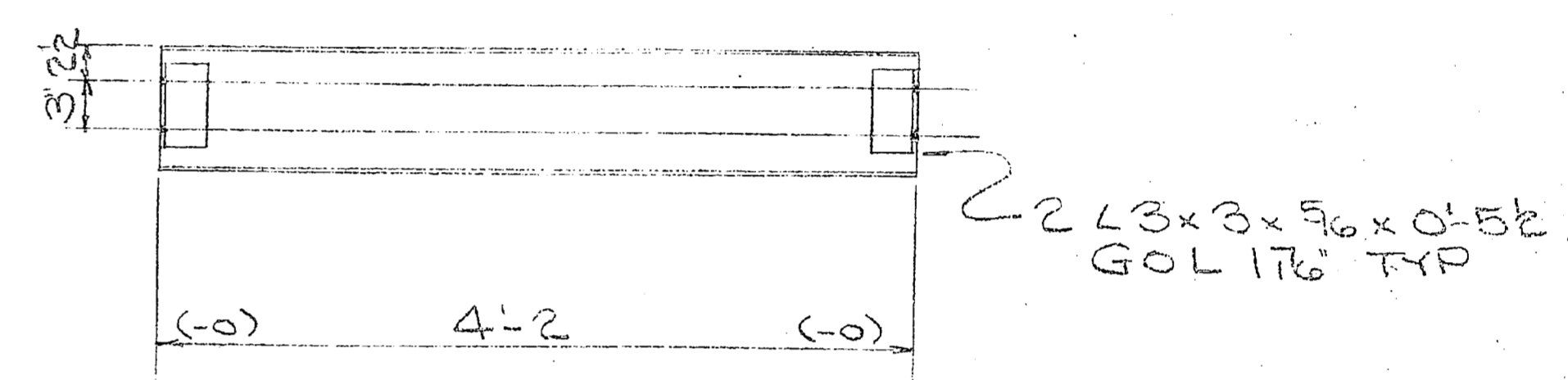
1-9C15.0 x 13'-4 3/8 MARK C1 (AS SHOWN)
1- do x 13'-4 3/8 MARK C2 (OPP HAND)



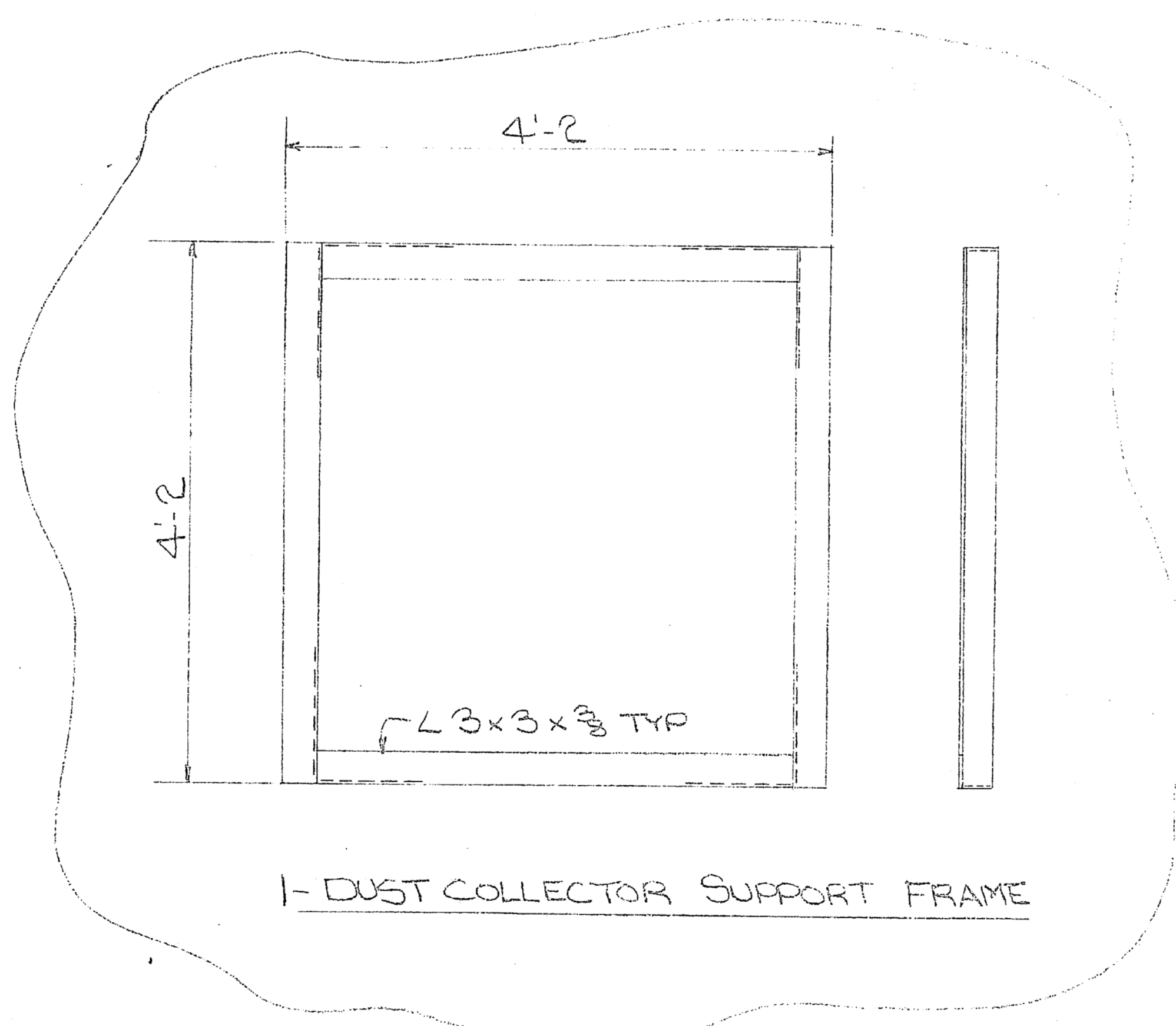
"SECTION CC"



2-8JR6.5 MARK B1

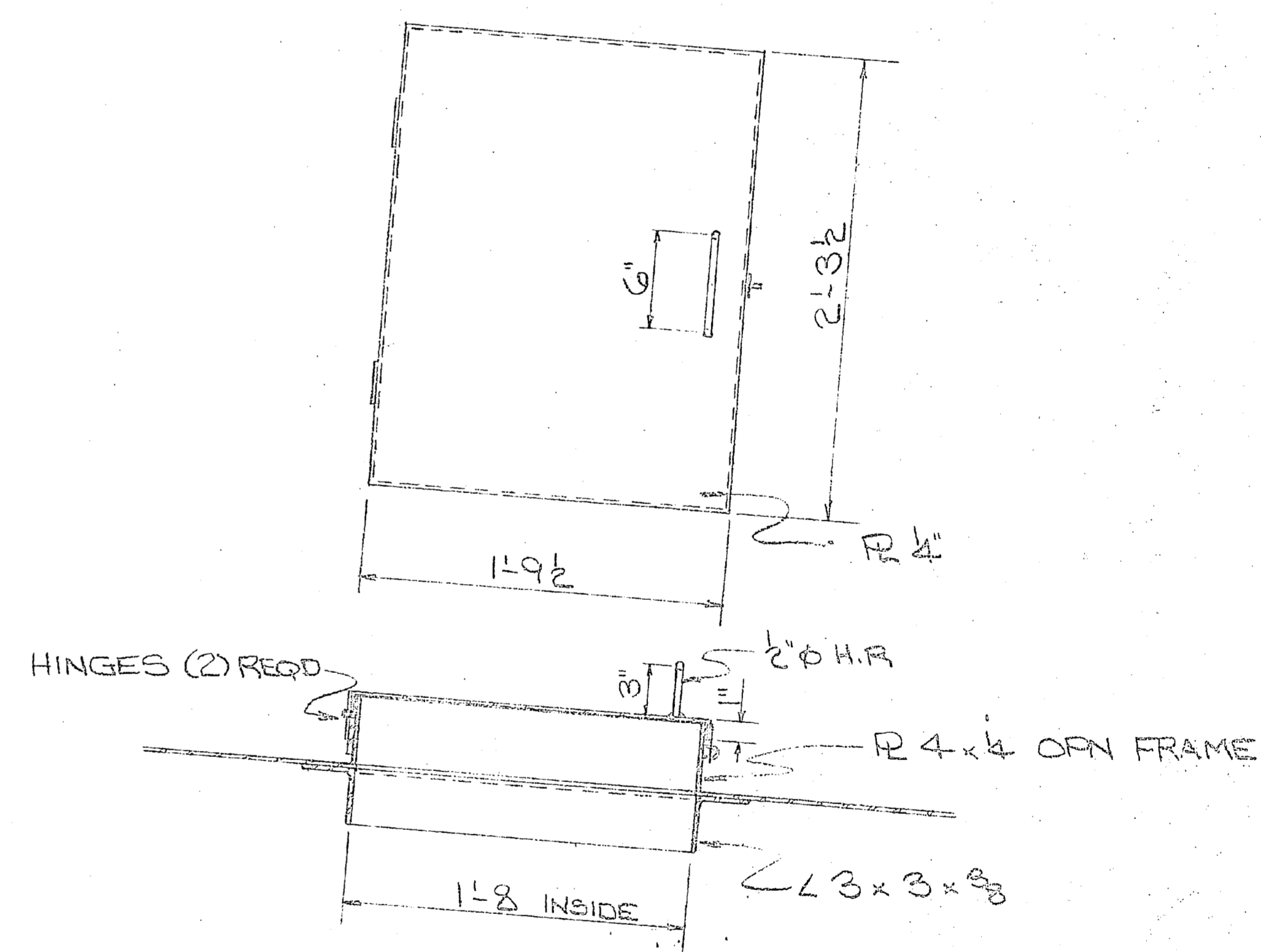


1-8JR6.5 MARK B2

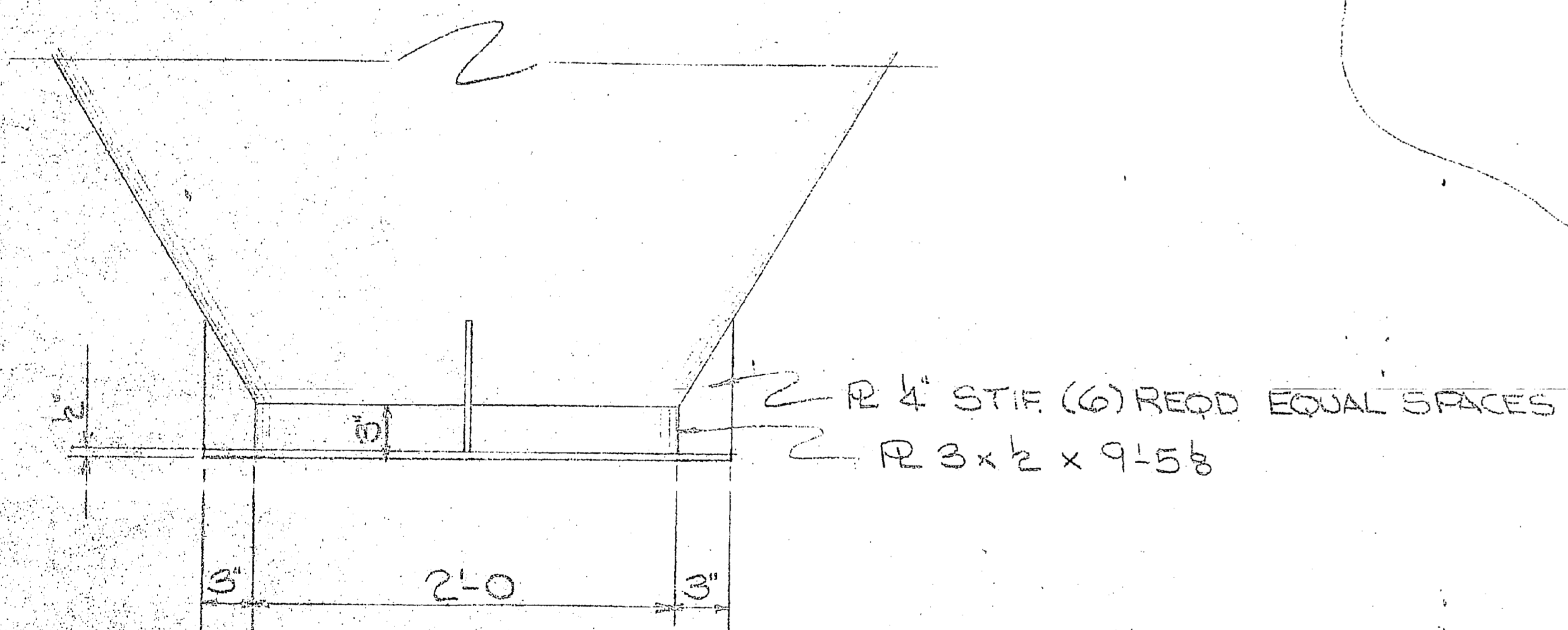


1- DUST COLLECTOR SUPPORT FRAME

REV SEE SH 3



"SECTION DD"

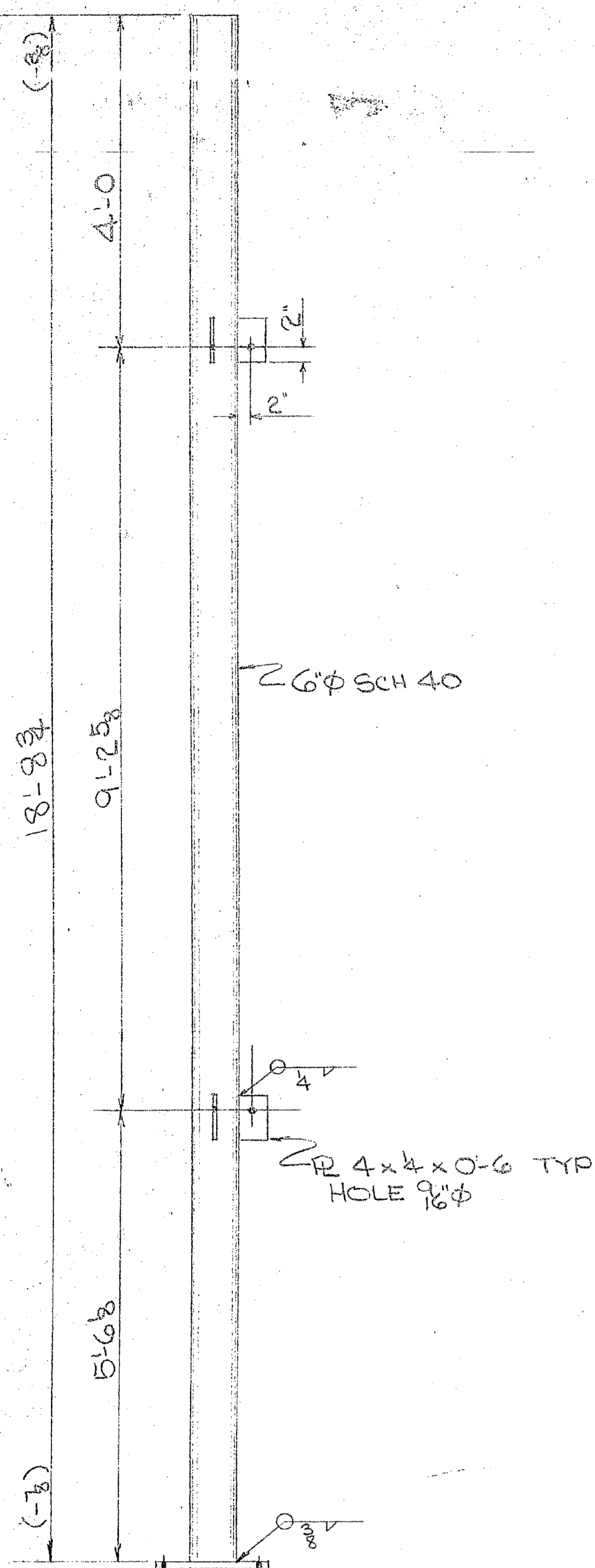


"HOPPER DISCHARGE"

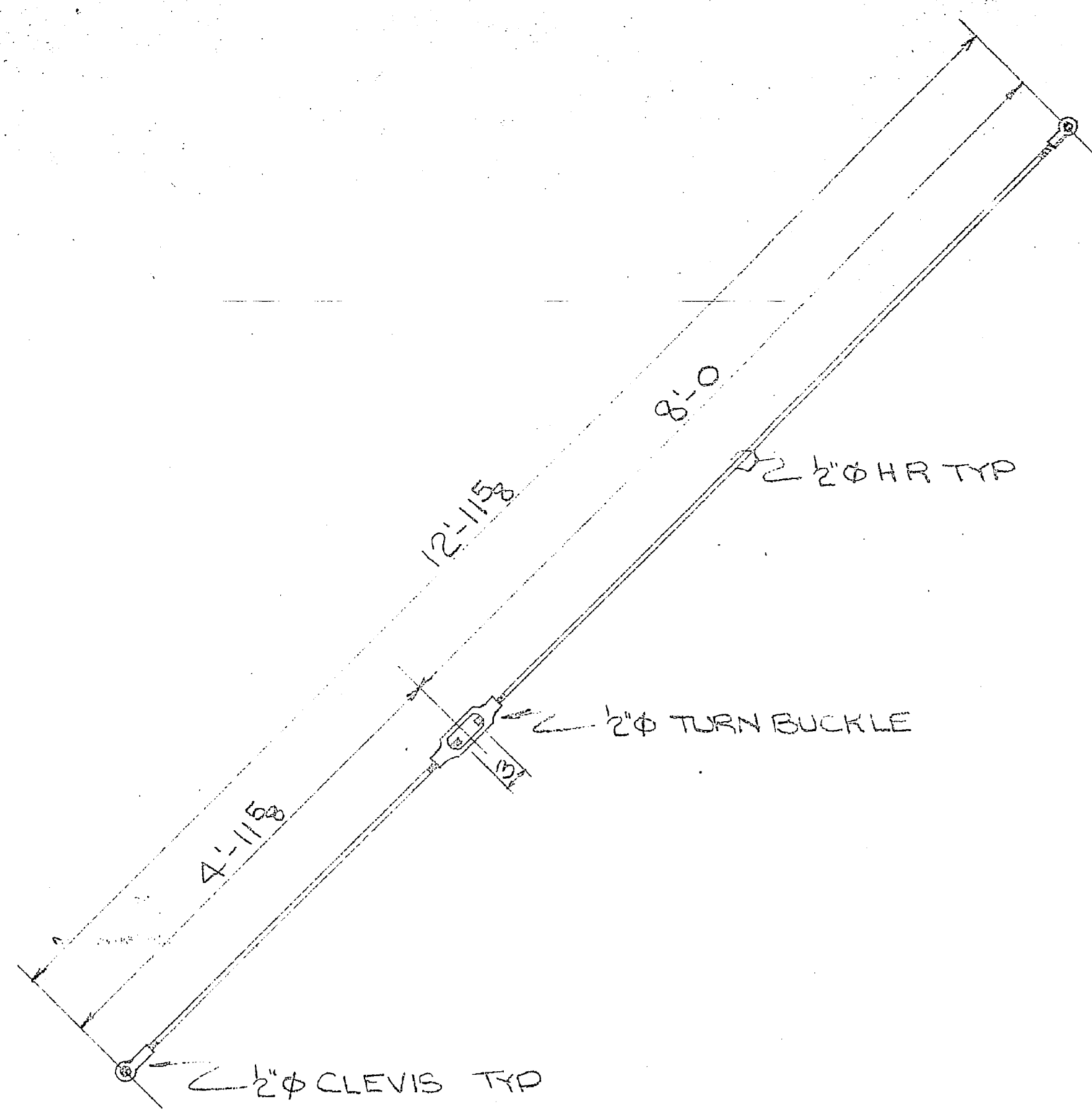
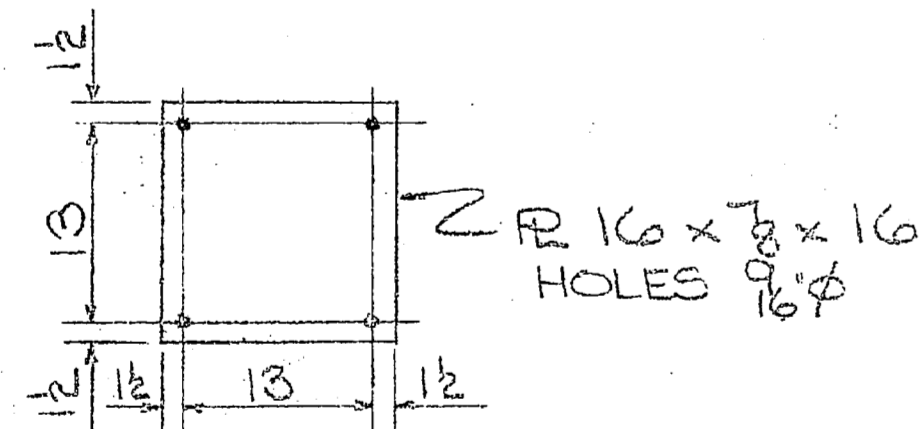
Date: 15 Dec 71
APPROVED
Subject to List of
Job Plans & Specifications
By: [Signature]
Quality Control Representative

REVISIONS			LIME HOPPER - CORBIN CONSTRUCTION COMP MOORE FABRICATORS & ERECTORS	
NO.	DATE	BY	SCALE	MATERIAL
1	12-20-70	JEB		
2				
3				
4				
5				

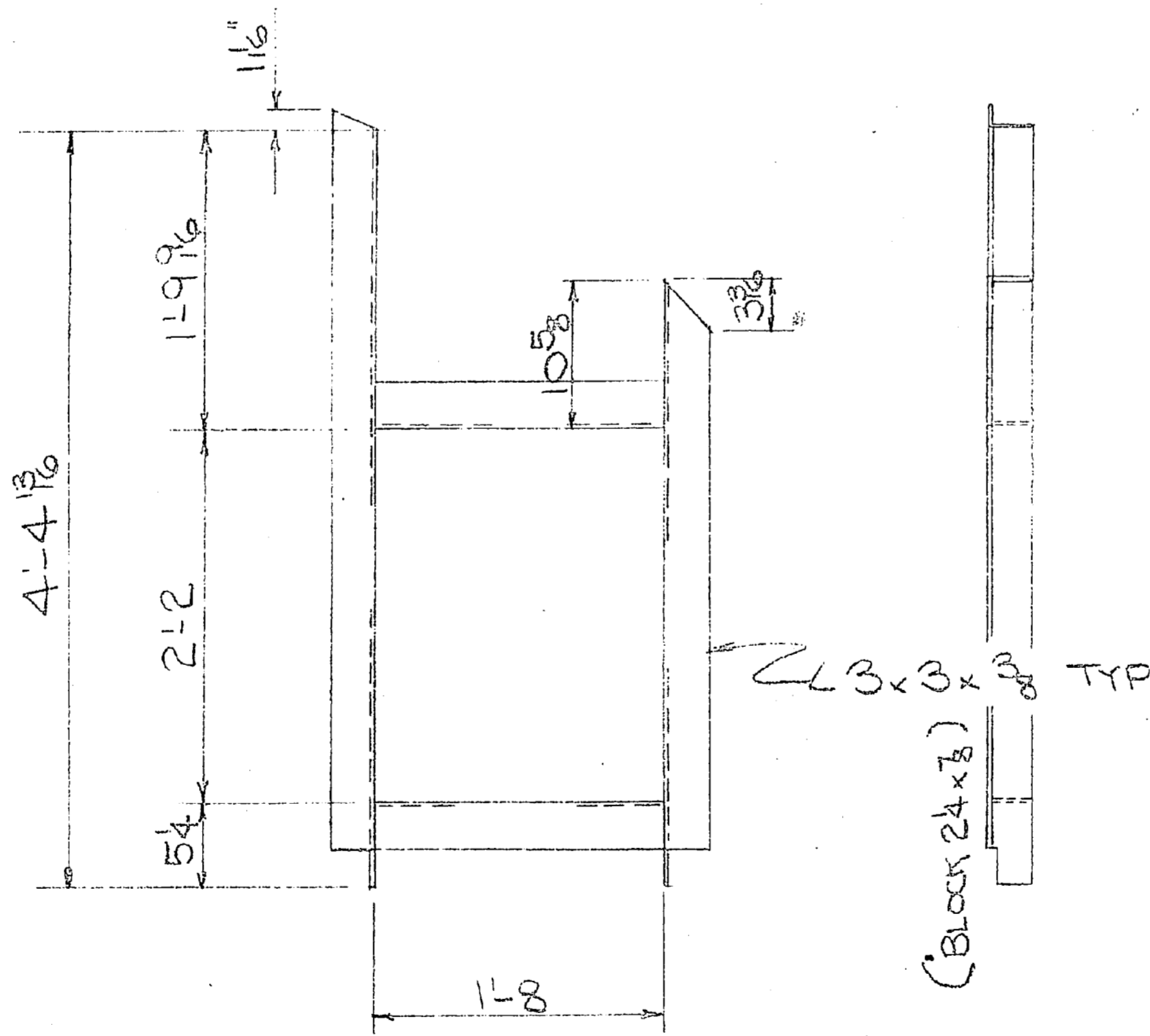
DRAWN BY: [Signature]
 DATE: 10-6-70
 TRACED: [Signature]
 SCALE: 10'-0" = 1'-0"
 DRAWING NO: 10-70-13
 SHEET: 2 OF 2



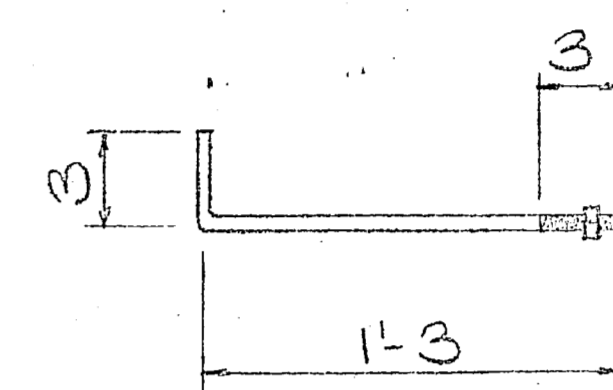
4 - PIPE COLUMNS REQD



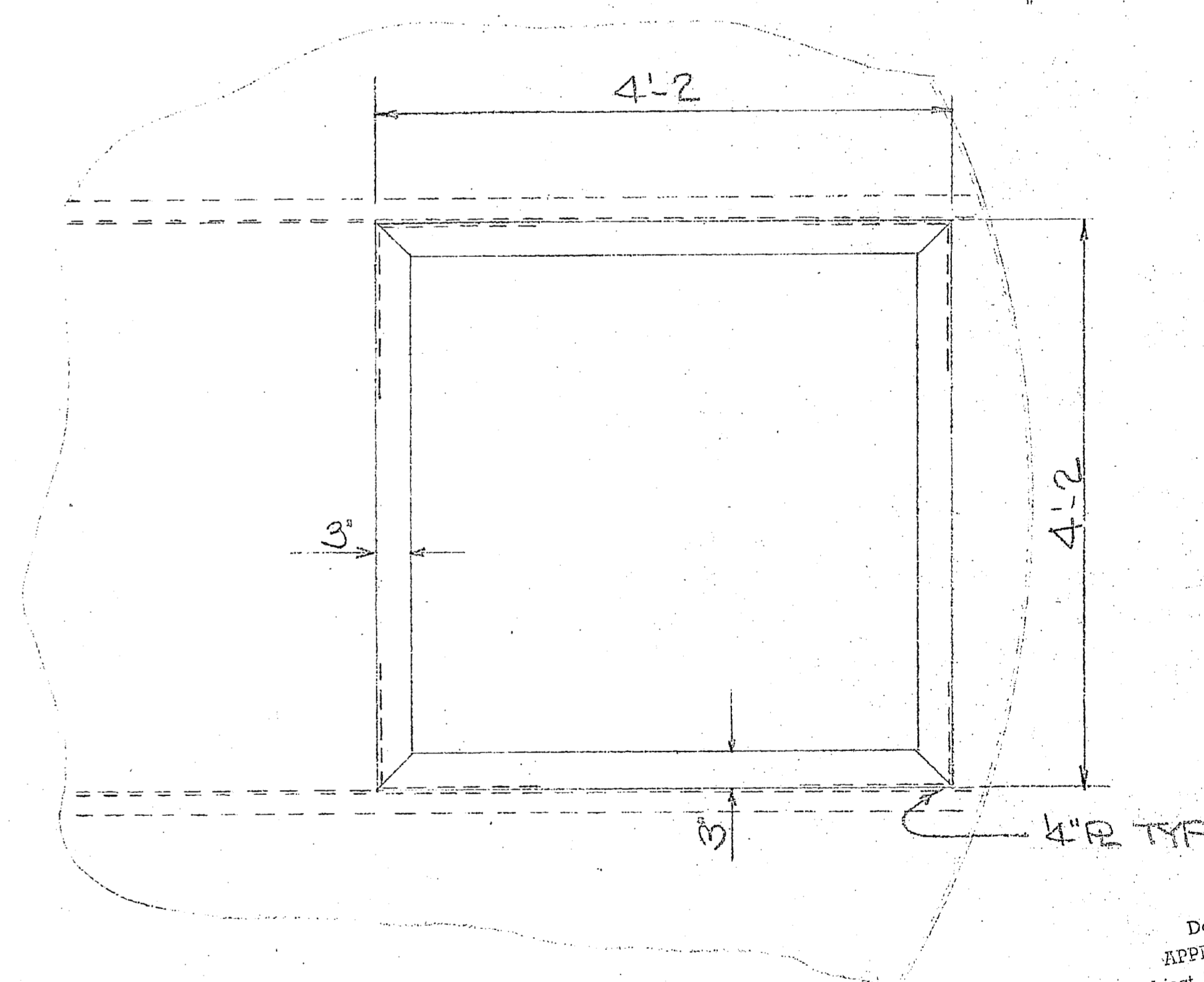
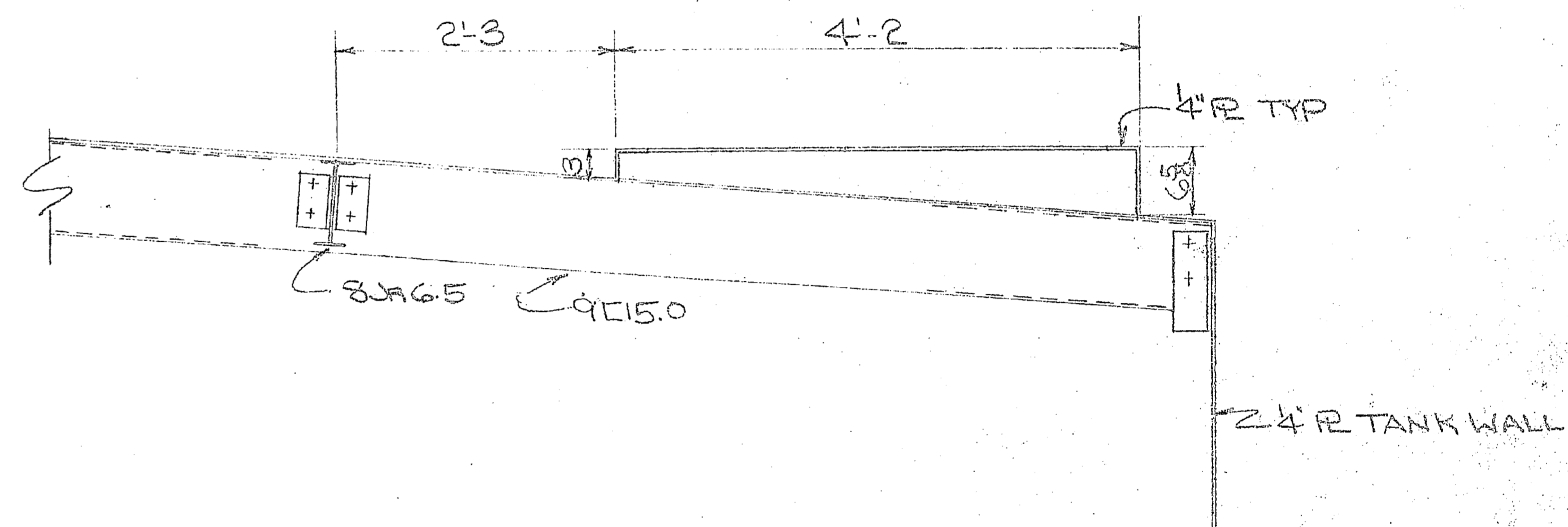
3 - X BRACE RODS REQD



1 - ANGLE FRAME REQD



32 - 3/4" ANCHOR BOLTS



"DUST COLLECTOR SUPPORT" FRAME

Date: 1/17/70
 APPROVED
 Subject To Meet Or
 Job Plans & Specifications
 By: [Signature]
 Quality Control Representative

REVISIONS			LIME HOPPER - CORBIN CONSTRUCTION COMP	
NO.	DATE	BY	SCALE	MATERIAL
1	12-20-70	JLB		MOORES FABRICATORS & ERECTORS
2				
3				
4				
5				

