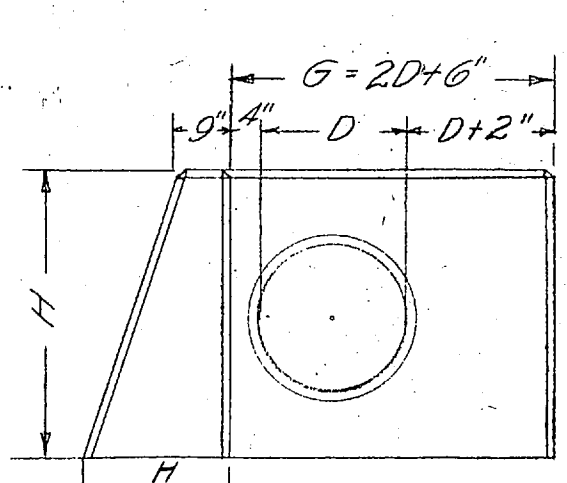
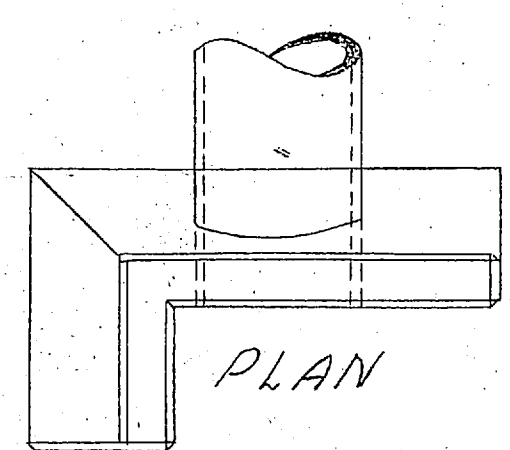
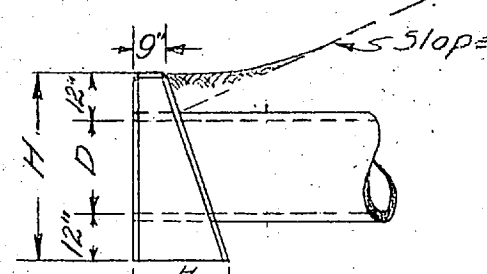


FRONT ELEVATION END ELEVATION

PLAIN CONCRETE HEADWALL FOR SINGLE PIPE CULVERTS

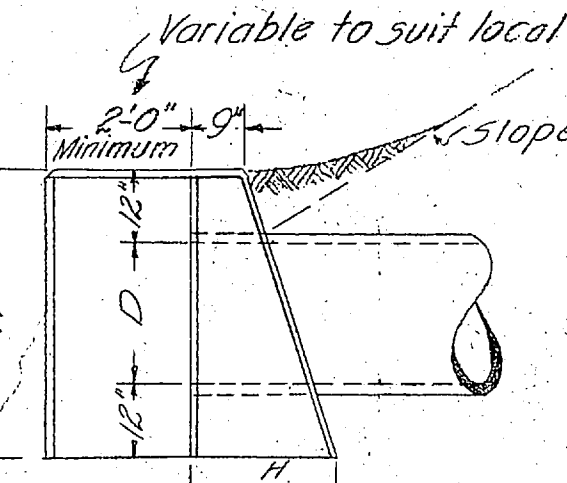
DIMENSIONS AND QUANTITIES - ONE HEADWALL FOR SINGLE PIPE CULVERTS					
Opening D	Wall		Cu. Yds.		
	G	H	H	Concrete	
15"	1.2	4'-6"	3'-3"	1'-7 1/2"	.56
18"	1.8	4'-10"	3'-6"	1'-9"	.66
24"	3.1	6'-4"	4'-0"	2'-0"	1.07
30"	4.9	7'-10"	4'-6"	2'-3"	1.67
36"	7.1	9'-4"	5'-0"	2'-6"	2.38
48"	9.6	12'-10"	5'-0"	3'-0"	3.11
60"	12.6	16'-4"	6'-0"	3'-0"	4.12
72"	15.9	19'-10"	6'-6"	3'-3"	5.03



FRONT ELEVATION END ELEVATION

PLAIN CONCRETE "L" HEADWALL FOR SINGLE PIPE CULVERTS

DIMENSIONS AND QUANTITIES - ONE HEADWALL FOR SINGLE PIPE CULVERTS					
Opening D	Wall		Cu. Yds.		
	G	H	H	Concrete	
15"	1.2	3'-0"	3'-3"	1'-7 1/2"	.81
18"	1.8	3'-6"	3'-6"	1'-9"	.98
24"	3.1	4'-6"	4'-0"	2'-0"	1.41
30"	4.9	5'-6"	4'-6"	2'-3"	1.93
36"	7.1	6'-6"	5'-0"	2'-6"	2.37



ENGINEERS ESTIMATE OF QUANTITIES 12-15-42
OAK GROVE ACCESS ROAD

ITEM NO.	QUANTITY	UNIT	DESCRIPTION
1	2	Acres	Clearing and Grubbing
2	(a) 125	L.F.	Resetting Fence, Barbed Wire
	(b) 1632	L.F.	Hog Wire
	(c) 2078	L.F.	Combination
	(d) 30	L.F.	Other
3	14,155	C.Y.	Excavation, Roadway (Wasted)
4	50,725		Borrow (Selected Material)
5	545		Excavation, Ditch
6	60	L.F.	Removing and Relaying 18" Conc. Pipe
7	400		18" Conc. Pipe
8	144		24" "
9	48		36" "
10	25,200	S. Y.	Compacted 6" Stone Base Course
11	24,000		1" Sand Asphalt Leveling Course
12	24,000		" Surface Course
13	16	C.Y.	C/C Conc. Headwalls (1/6 Head Walls)
14	(a) 1	Each	Moving Tobacco Barn, Rt. Sta. 3+00
	(b) 1		One Story Frame Dwelling, Rt. Sta. 7+00
	(c) 1		Two Story Frame Dwelling, Rt. Sta. 8+00
	(d) 1		Chicken House, Rt. Sta. 15+30
	(e) 1		Barn, Rt. Sta. 16+20
15	1		Power Pole, Rt. Sta. 2+50
16	1		Drilling New Well and Moving Pump, Lt. Sta. 9+40

APPROVED
DATE 12-16-42
12-18-42

NOTE: This Drawing is Not to be used for construction purposes unless approved by the O. L. C.

2	8-18-42	Quantities Revised
Drawn	Collier, L. H.	OLSEN-DETRICK-CARR & J. E. GREINER COMPANY
Traced	Collier, L. H.	ARCHITECTS AND ENGINEERS
Checked	W. L. Carr	CHERRY POINT, N. C.
In Charge	W. L. Carr	
Sheet	1 of 1	
Accompanying Specification No.	1213	SUMMARY OF QUANTITIES & DETAILS OF HEADWALLS ACCESS ROAD TO OAK GROVE O.L.C.
Drawn	OLC	Approved 15 Dec 1942
No.	281	300502

