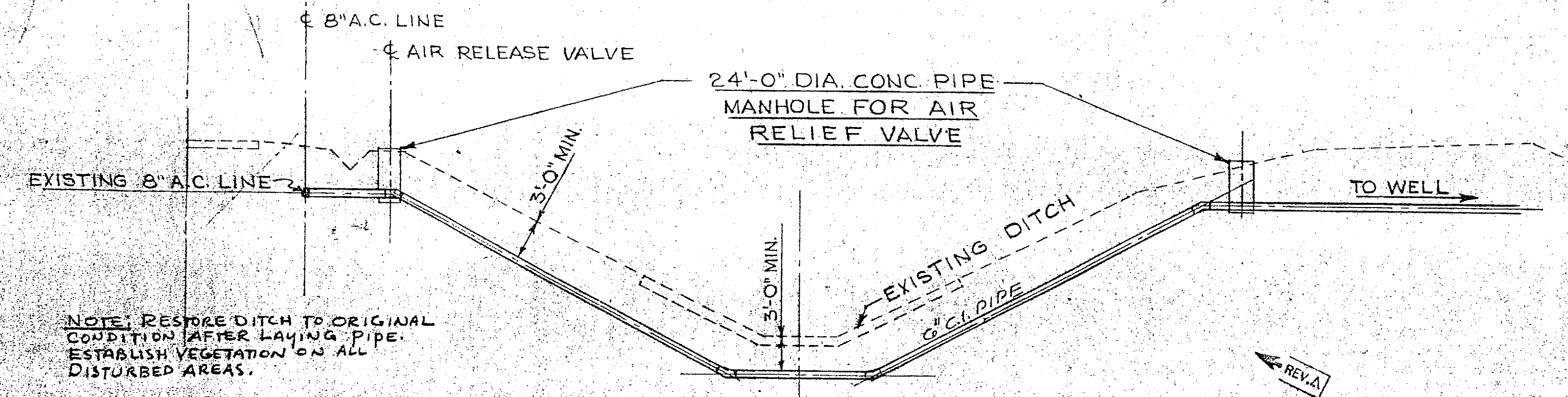
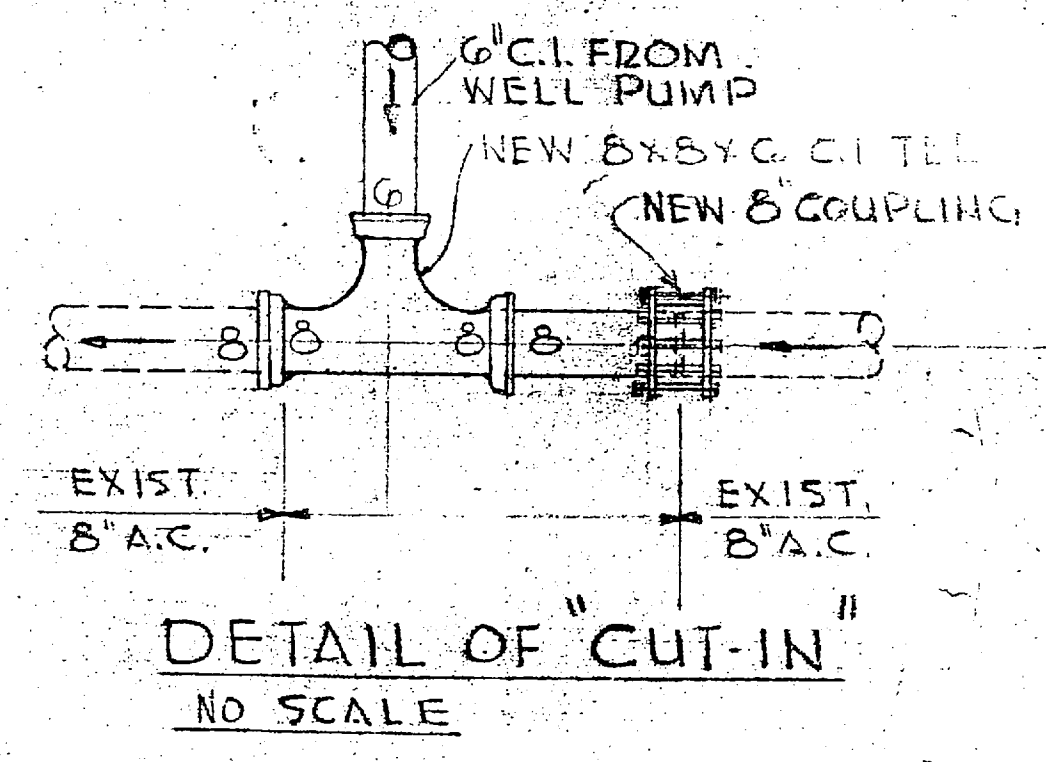
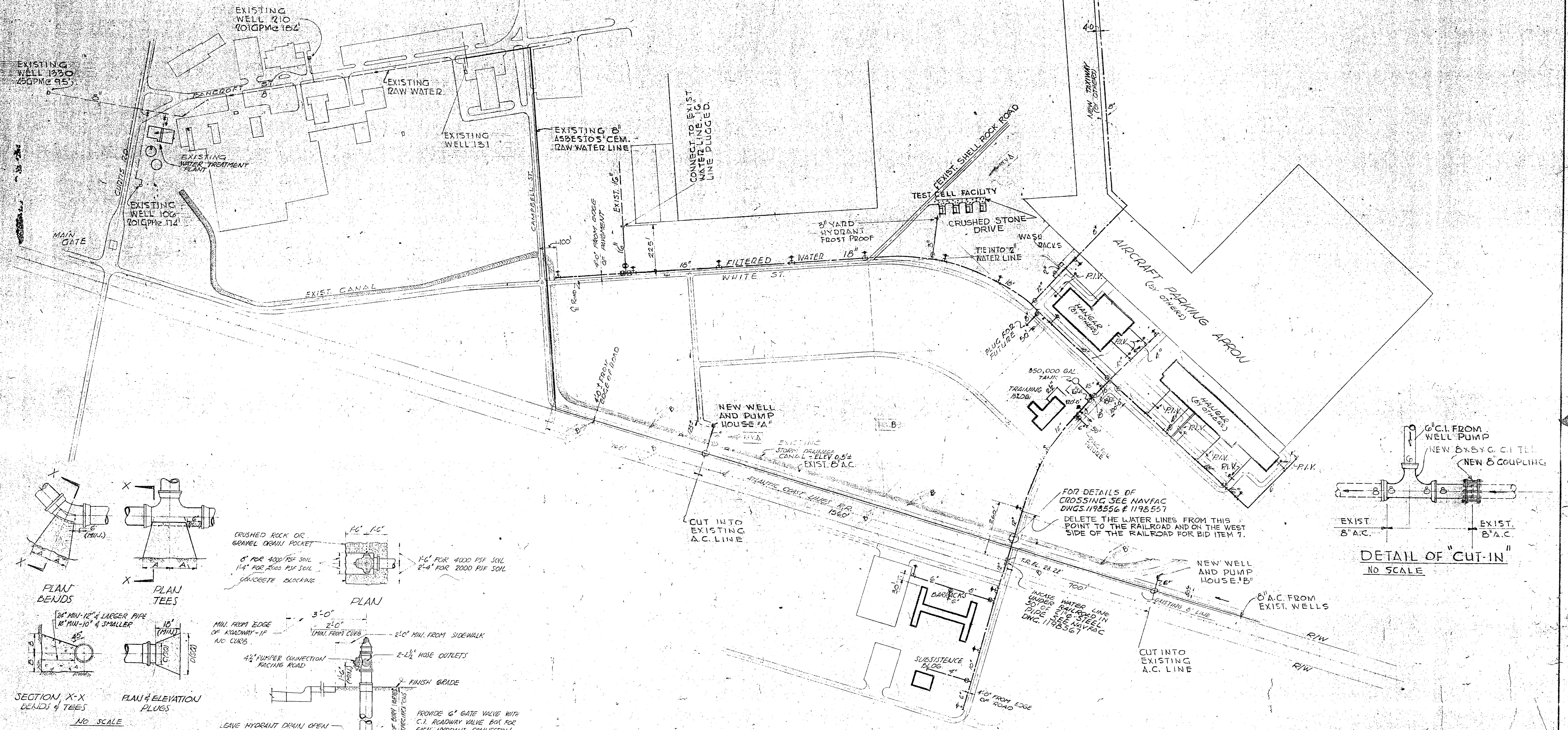


REVISIONS			
SYMBOL	DESCRIPTION	DATE	APPROVED
A	GENERAL REVISIONS	1/25/67	W. J. JAMES
B	REVISED AS BUILT CONDITIONS	8-10-73	JRM

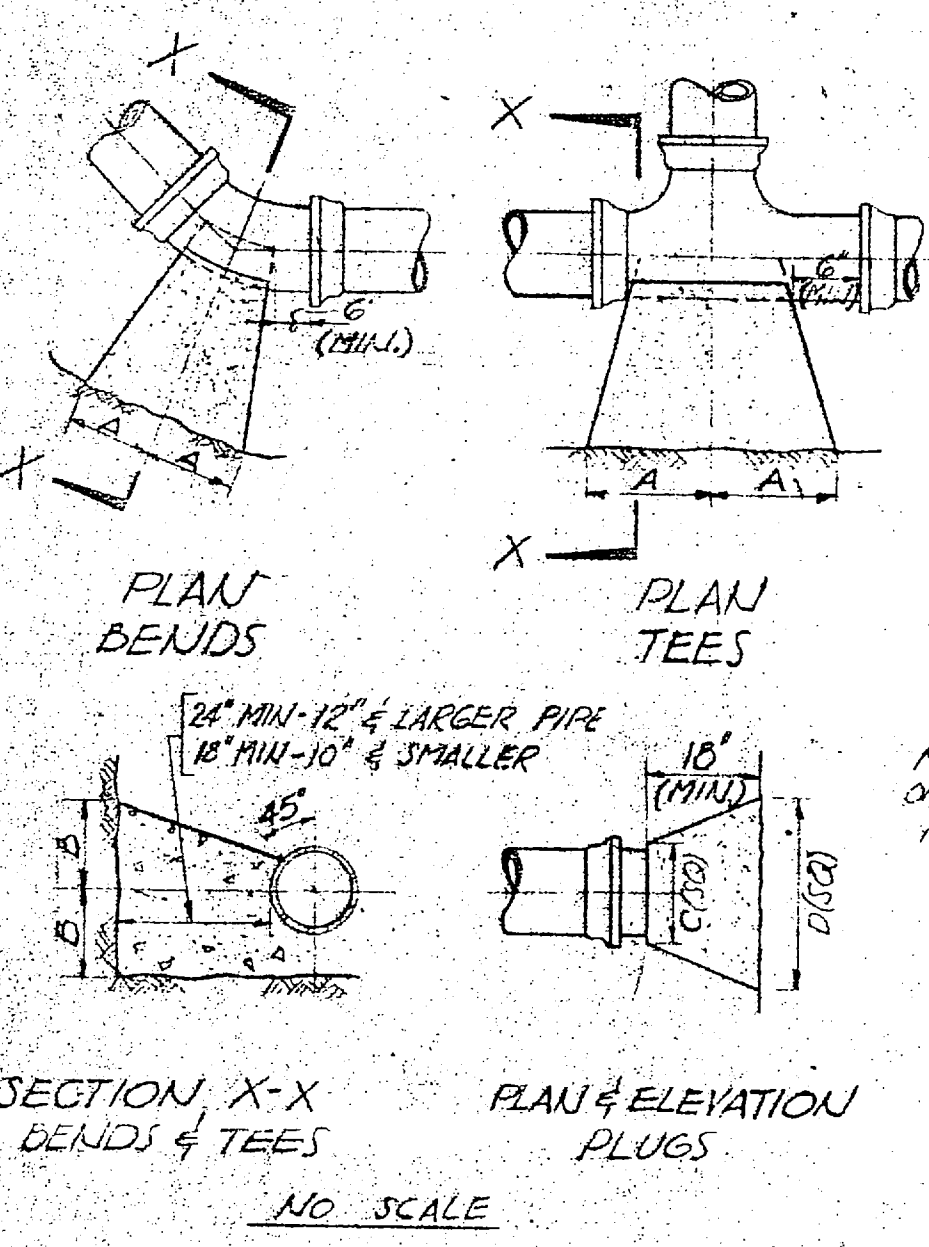


DETAIL AT CROSSING
SCALE 1/8" = 1' - 0"

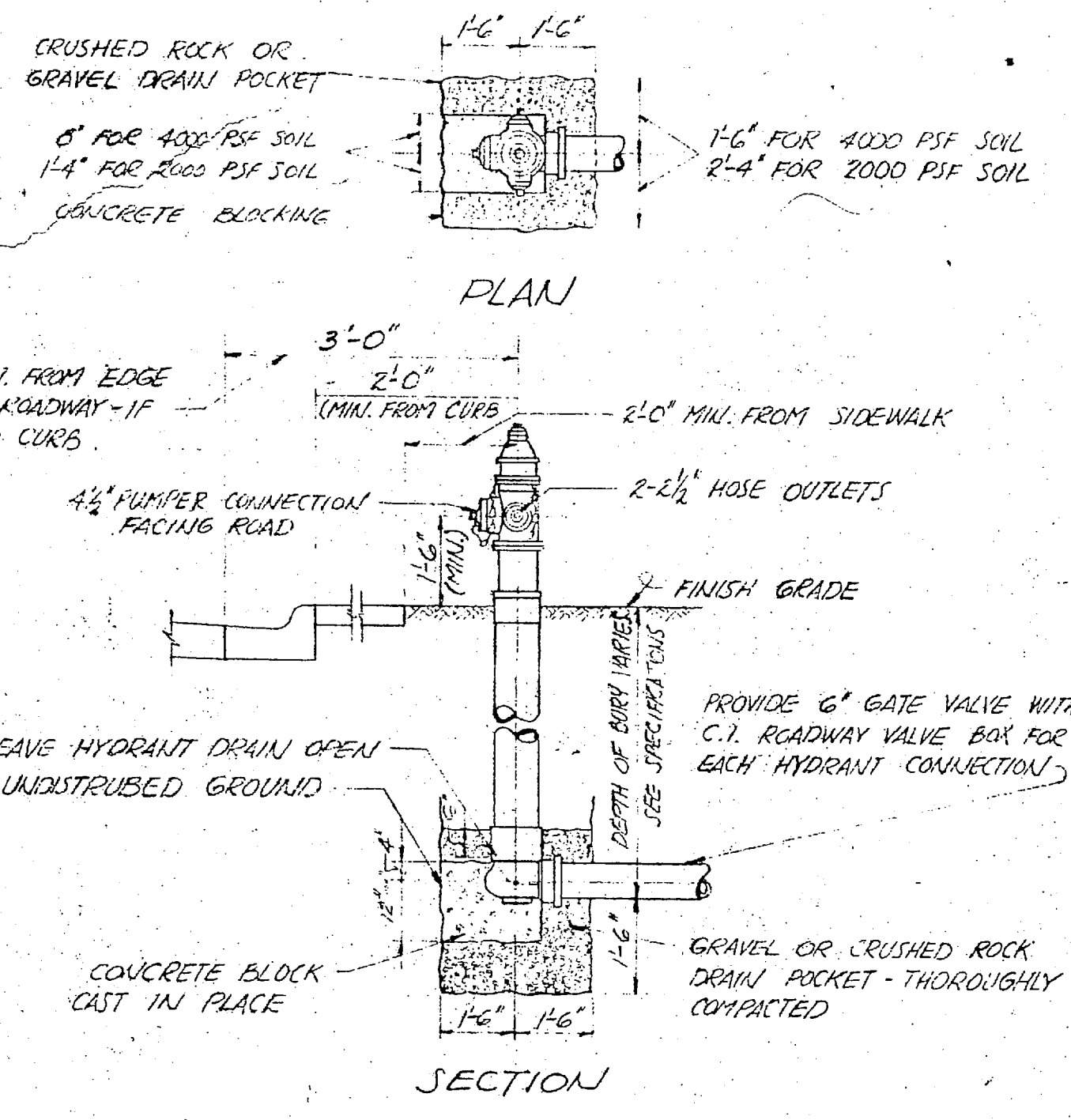
SEE NAVFAC DWG. NO. 1198730 FOR WATER SUPPLY FOR REPLACEMENT FACILITY



DETAIL OF "CUT-IN"
NO SCALE



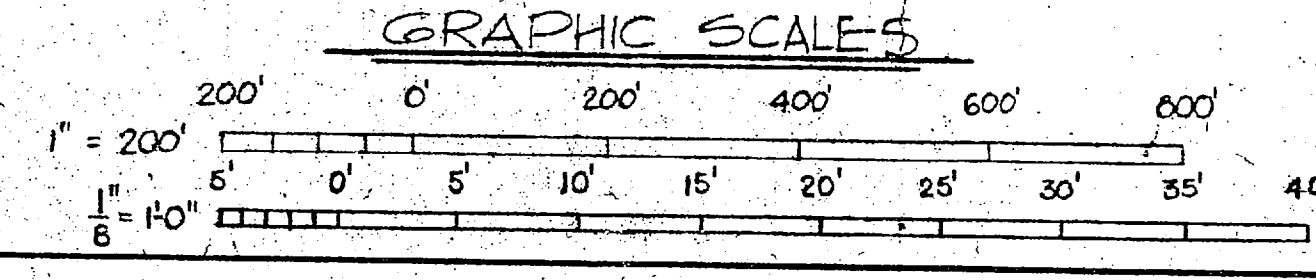
SECTION X-X BENDS & TEES
NO SCALE



FIRE HYDRANT INSTALLATION
NO SCALE

WATER DISTRIBUTION SYSTEM
SCALE 1" = 200' - 0"

- A.C. ASBESTOS CEMENT PIPE
- FIRE HYDRANT
- VALVE IN C.I. BOX
- POST INDICATOR VALVE



SIZE	1/4" BENDS		1/2" BENDS		3/4" BENDS		1" BENDS		1 1/2" BENDS		2" BENDS		3" BENDS		4" BENDS		6" BENDS			
	A	B	A	B	A	B	A	B	A	B	A	B	A	B	A	B	A	B		
6"	10"	9"	10"	9"	10"	9"	10"	9"	10"	9"	10"	9"	10"	9"	10"	9"	10"	9"	10"	9"
8"	12"	11"	12"	11"	12"	11"	12"	11"	12"	11"	12"	11"	12"	11"	12"	11"	12"	11"	12"	11"
10"	14"	13"	14"	13"	14"	13"	14"	13"	14"	13"	14"	13"	14"	13"	14"	13"	14"	13"	14"	13"
12"	16"	15"	16"	15"	16"	15"	16"	15"	16"	15"	16"	15"	16"	15"	16"	15"	16"	15"	16"	15"
14"	18"	17"	18"	17"	18"	17"	18"	17"	18"	17"	18"	17"	18"	17"	18"	17"	18"	17"	18"	17"
16"	20"	19"	20"	19"	20"	19"	20"	19"	20"	19"	20"	19"	20"	19"	20"	19"	20"	19"	20"	19"
18"	22"	21"	22"	21"	22"	21"	22"	21"	22"	21"	22"	21"	22"	21"	22"	21"	22"	21"	22"	21"
20"	24"	23"	24"	23"	24"	23"	24"	23"	24"	23"	24"	23"	24"	23"	24"	23"	24"	23"	24"	23"
22"	26"	25"	26"	25"	26"	25"	26"	25"	26"	25"	26"	25"	26"	25"	26"	25"	26"	25"	26"	25"
24"	28"	27"	28"	27"	28"	27"	28"	27"	28"	27"	28"	27"	28"	27"	28"	27"	28"	27"	28"	27"
26"	30"	29"	30"	29"	30"	29"	30"	29"	30"	29"	30"	29"	30"	29"	30"	29"	30"	29"	30"	29"
28"	32"	31"	32"	31"	32"	31"	32"	31"	32"	31"	32"	31"	32"	31"	32"	31"	32"	31"	32"	31"
30"	34"	33"	34"	33"	34"	33"	34"	33"	34"	33"	34"	33"	34"	33"	34"	33"	34"	33"	34"	33"

RECORD DRAWING

LOCKWOOD GREENE ENG., INC. SPARTANBURG, S. C. 29301 ARCHITECTS & ENGINEERS		DEPARTMENT OF THE NAVY NAVAL FACILITIES ENGINEERING COMMAND	
DESIGNER: DR. ADAMS CHK. MEYER		ATLANTIC DIVISION	
PROJ. MGR. CH. ENGR. JOHNSON		NAVAL STATION	
SUBMITTER: DATE		HELIICOPTER GROUP TRAINING FACILITY	
FIRM MEMO: PROJECT		MCAF - NEW RIVER, JACKSONVILLE, N. C.	
APPROVED: 30 JUN 1967		WATER DISTRIBUTION SYSTEM	
JOB: ENR FOR COMMANDER, NAVFAC		WATER MAIN LAYOUT	
SIZE: 80091	NAVAC DRAWING NO.: 1198727	CONSTR. CONTR. NO.: NBY 88179	
SCALE AS SHOWN	SPEC.: 88179/67	SHEET: 179 OF 267B	
A/E COMM. NO. 67046	N62470 - 67 - B - 1013	LANDING DWG. NO. 76727	

