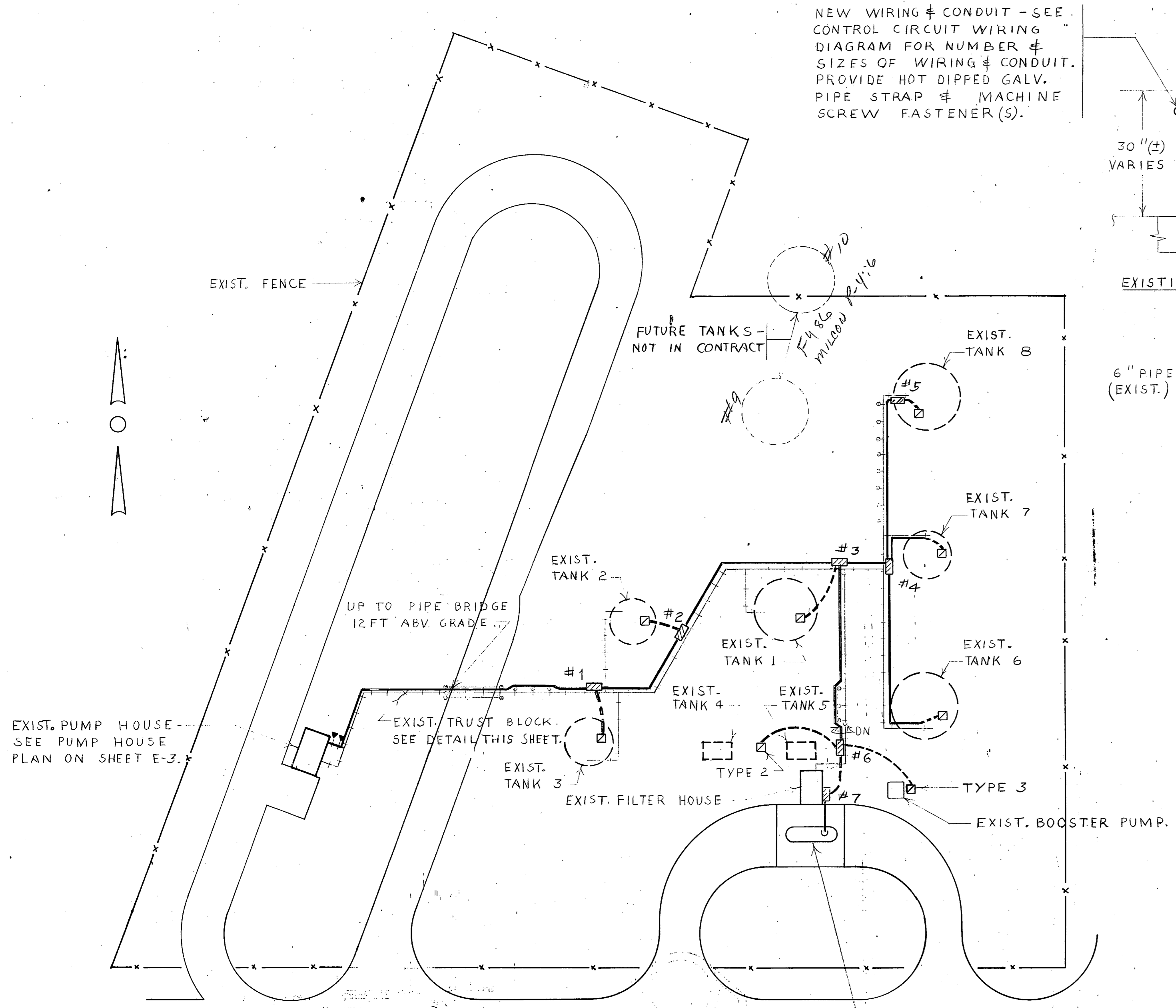
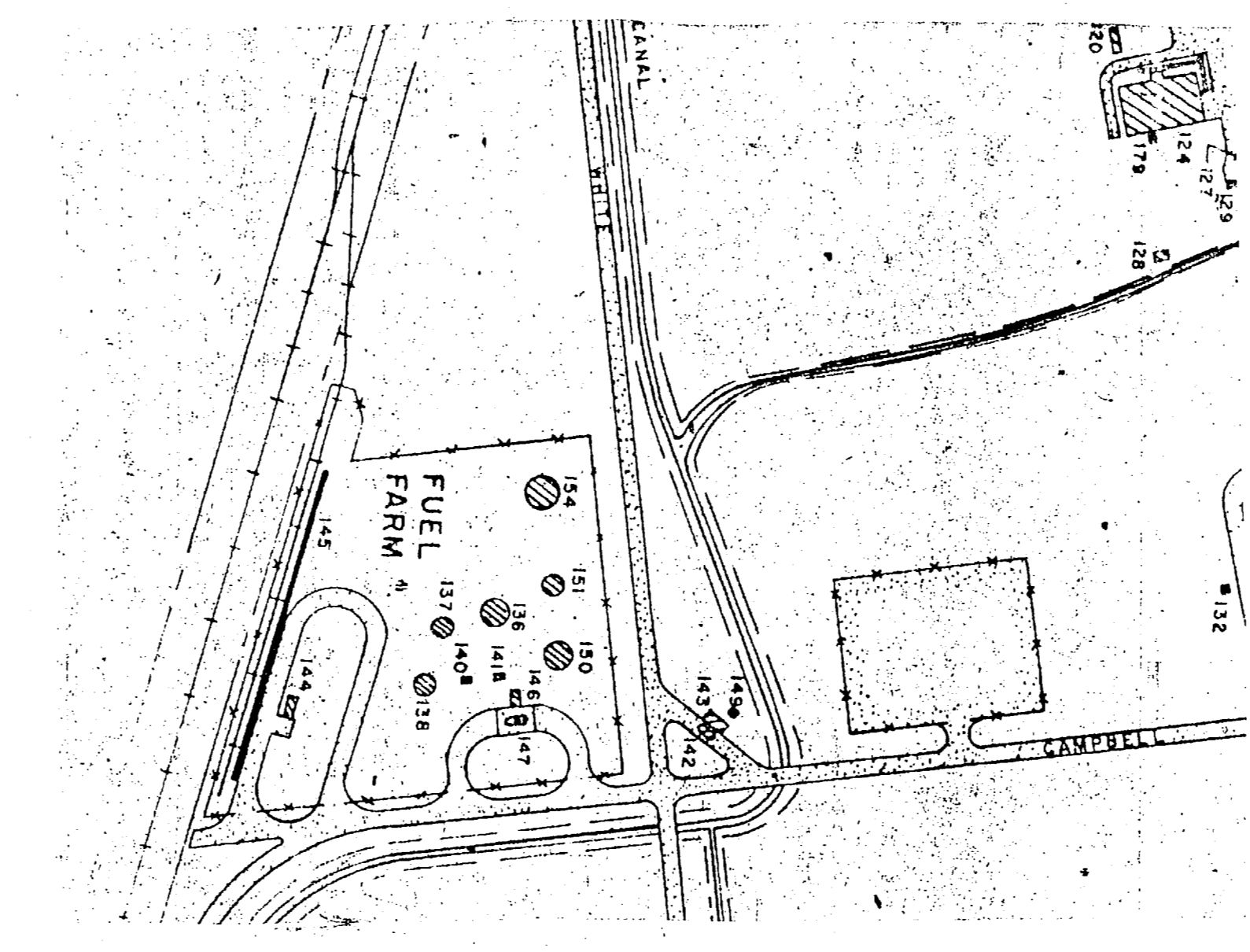
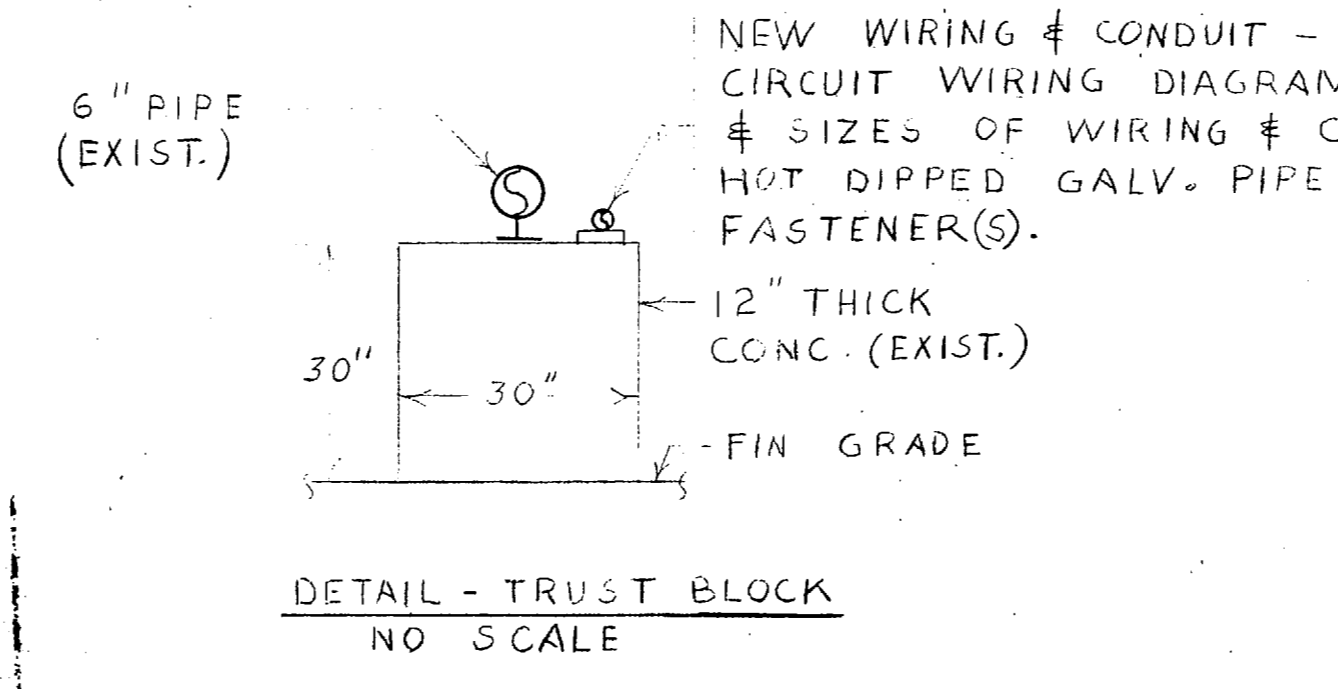
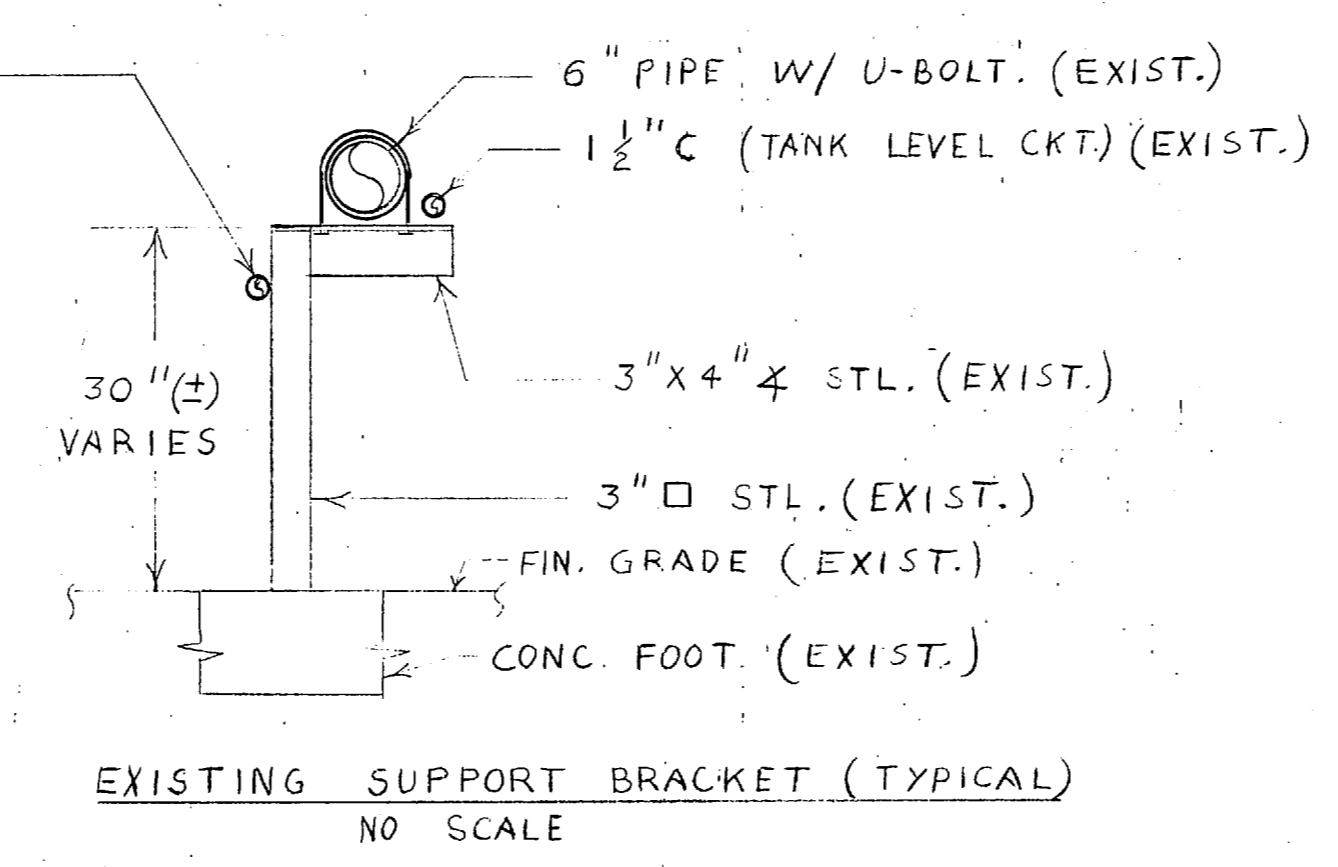


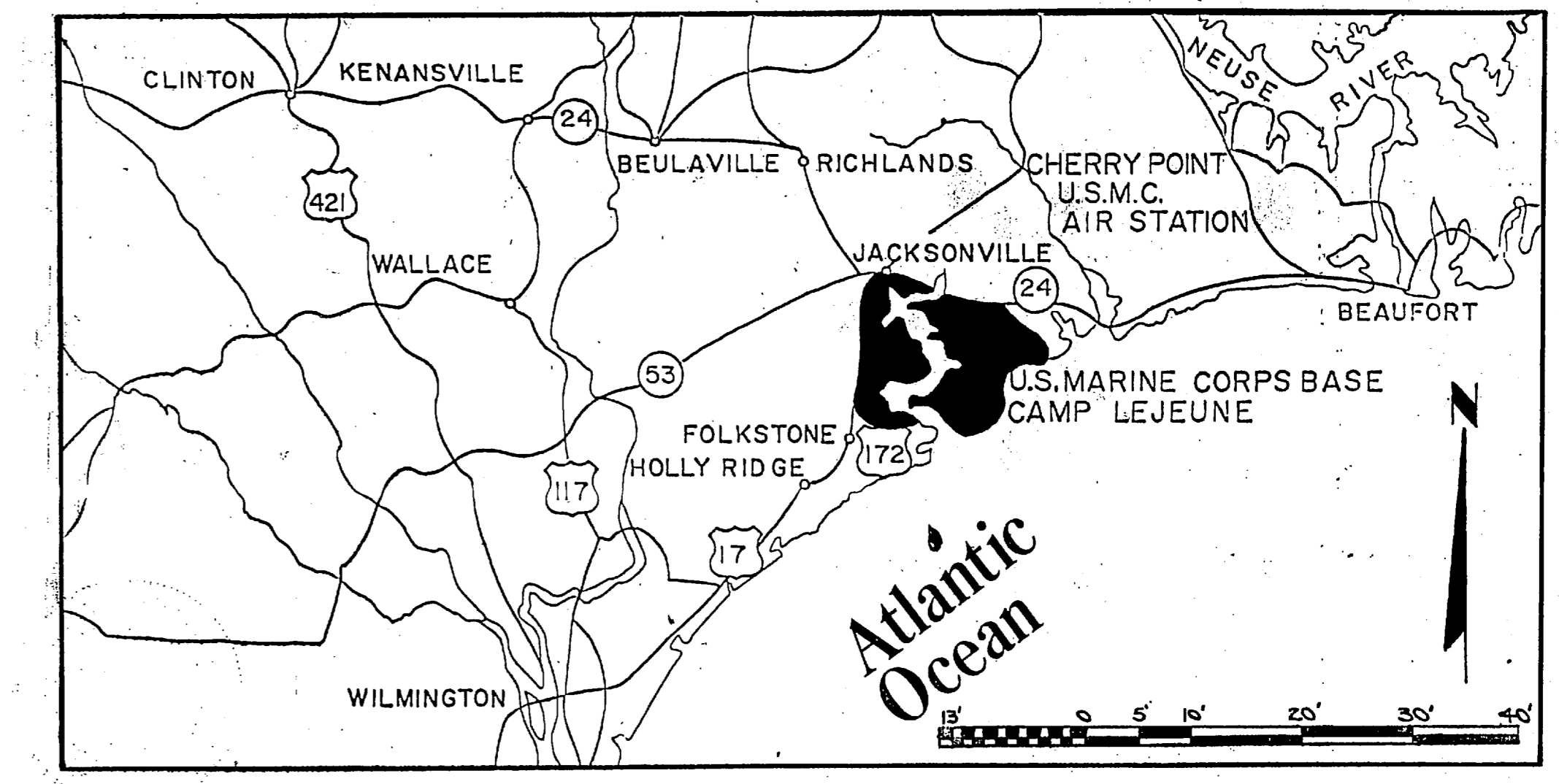
REVISIONS			
SYM.	DESCRIPTION	DATE	APPROVED



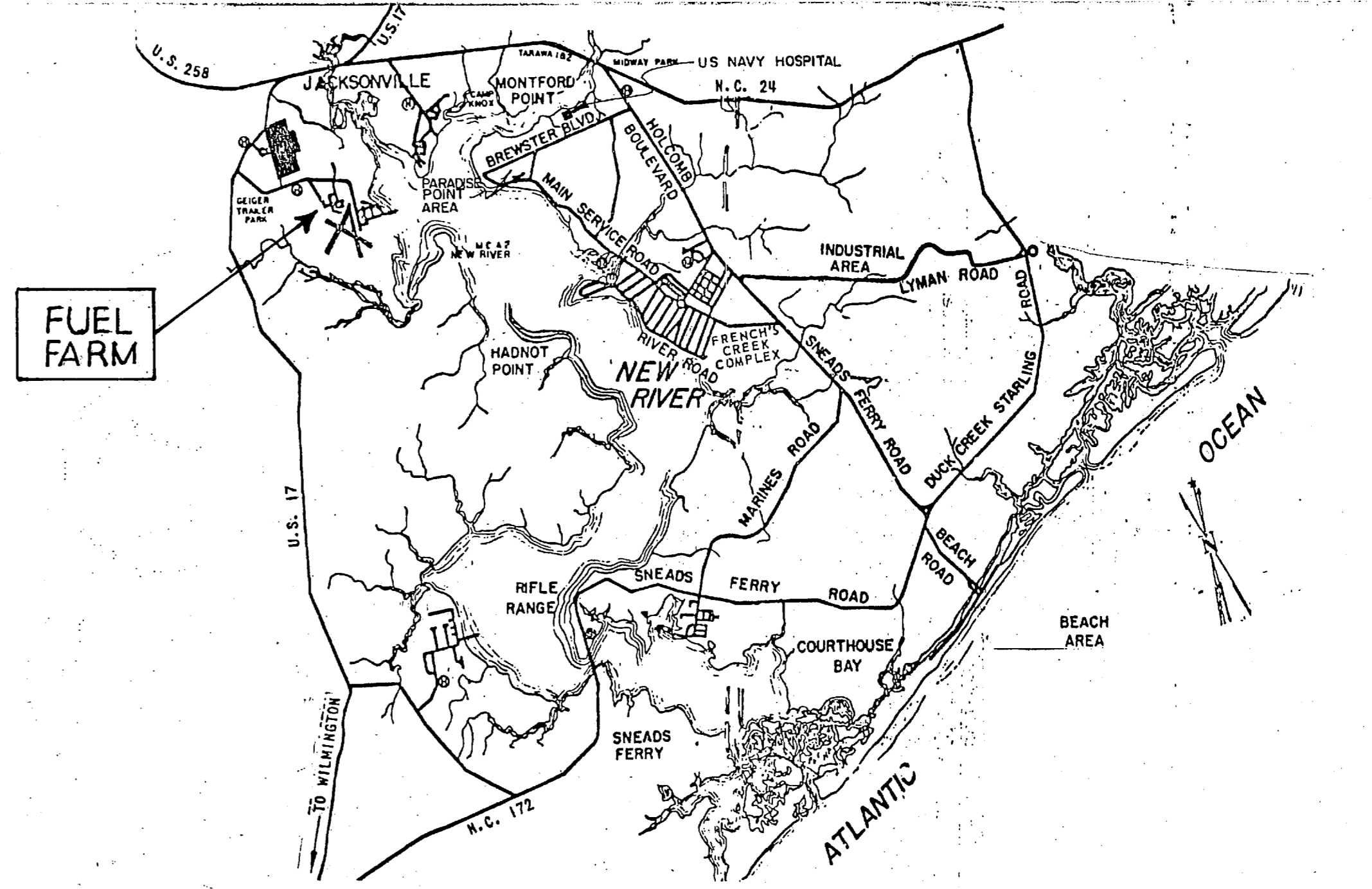
ELECTRICAL SITE PLAN
SCALE: 1" = 40'-0"



AREA MAP - FUEL FARM
NO SCALE



VICINITY MAP
scale: 1" = 13 miles



LOCATION MAP * CAMP LEJEUNE
N.T.S.

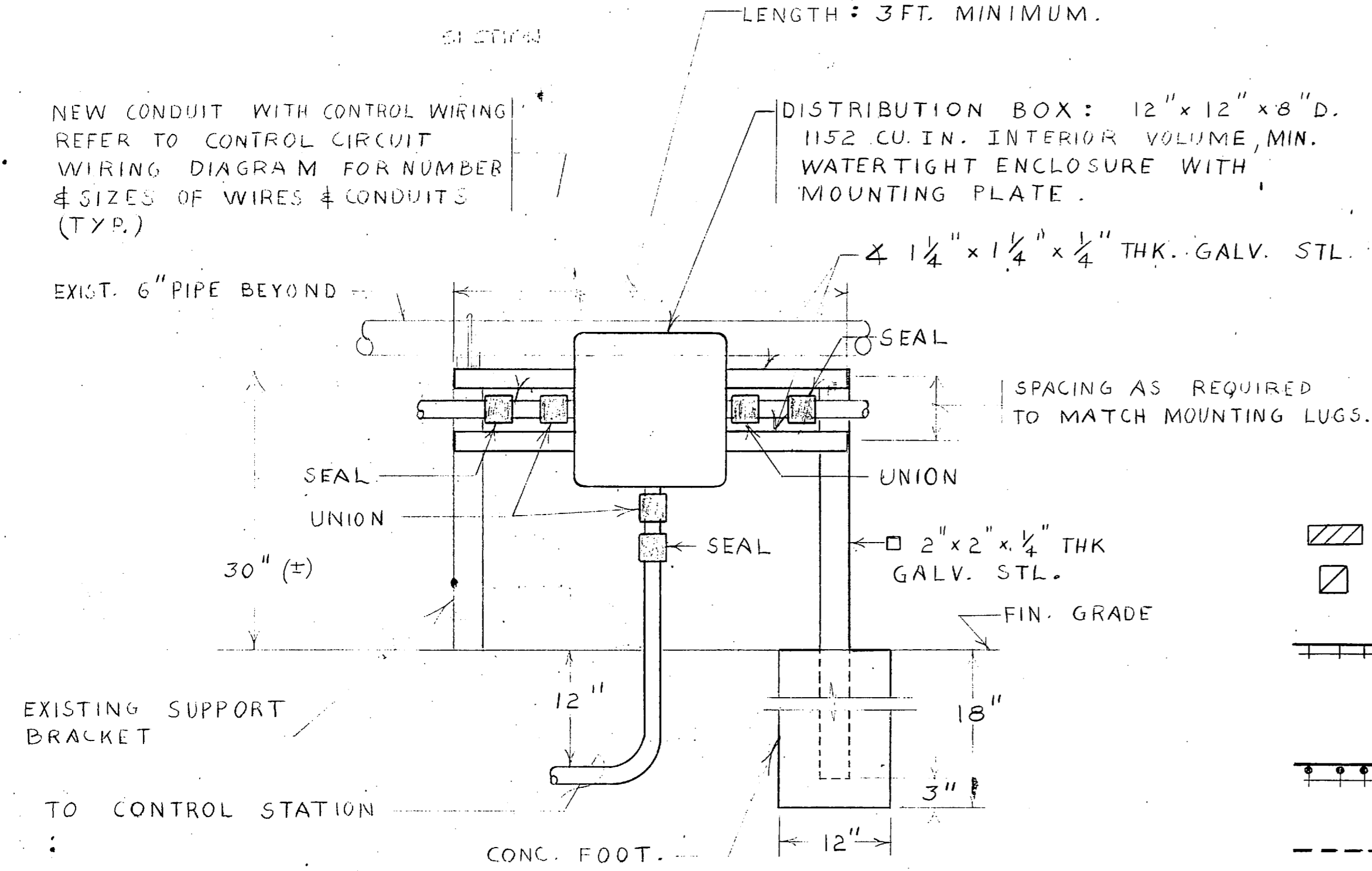
INDEX OF DRAWINGS		
NAVFAC DWG. NO.	SHEET NO.	TITLE
412 6619	E-1	MAPS & ELECTRICAL SITE PLAN.
412 6620	E-2	SCHEMATIC WIRING DIAGRAM.
412 6621	E-3	CONTROL STATIONS & DETAIL.
412 6622	E-4	ELECTRICAL PLANS.

GENERAL NOTES

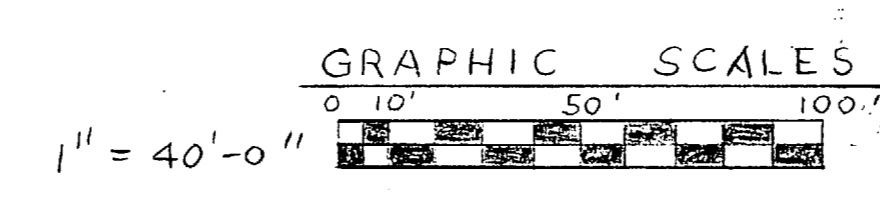
1. THE AREA WITHIN THE CONFINES OF THE FENCE IS DESIGNATED AS CLASS I HAZARDOUS LOCATION UNLESS NOTED OTHERWISE. NEW WIRING, CONDUITS, & EQUIPMENT BELOW GRADE SHALL CONFORM TO CLASS I, DIV. 1.
2. LENGTH OF (WOOD POLE) SUPPORT COLUMN VARIES TO MAXIMUM OF 20 FT. ABOVE GRADE.
3. ALL NEW UNDERGROUND CIRCUITS SHALL BE HAND TRENCHED AT A MINIMUM OF 12 INCHES DEEP.
4. SEE CONTROL CIRCUIT RISER DIAGRAM ON SHEET E-2 FOR NUMBER & SIZES OF WIRING & CONDUITS.
5. EXISTING EQUIPMENT IS TO REMAIN UNLESS NOTED OTHERWISE.
6. ALL WORK & MATERIALS, UNLESS NOTED OTHERWISE AS EXISTING, ARE NEW & SHALL BE PROVIDED BY CONTRACTOR.

LEGEND

- ▨ DISTRIBUTION BOX - SEE DETAIL ON THIS SHEET.
- TANK CONTROL STATION - TYPE 1 UNO. SEE DETAIL ON SHEET E-3.
- NEW WIRING & CONDUIT MOUNTED TO EXIST'G ABOVEGROUND PIPELINE SUPPORT BRACKET. SEE EXIST'G SUPPORT BRACKET ON THIS SHEET.
- SAME AS ABOVE EXCEPT WOOD POLE IS SUPPORT COLUMN.
- - - NEW UNDERGROUND WIRING & CONDUIT.
- NEW WIRING & CONDUIT MOUNTED TO NEW CONDUIT RACEWAY SUPPORT. SEE DETAIL 'A' ON SHEET E-3.
- EXIST'G ABOVEGROUND PIPELINE.
- UNO UNLESS NOTED OTHERWISE.



DISTRIBUTION BOX DETAIL - TYPICAL
NO SCALE



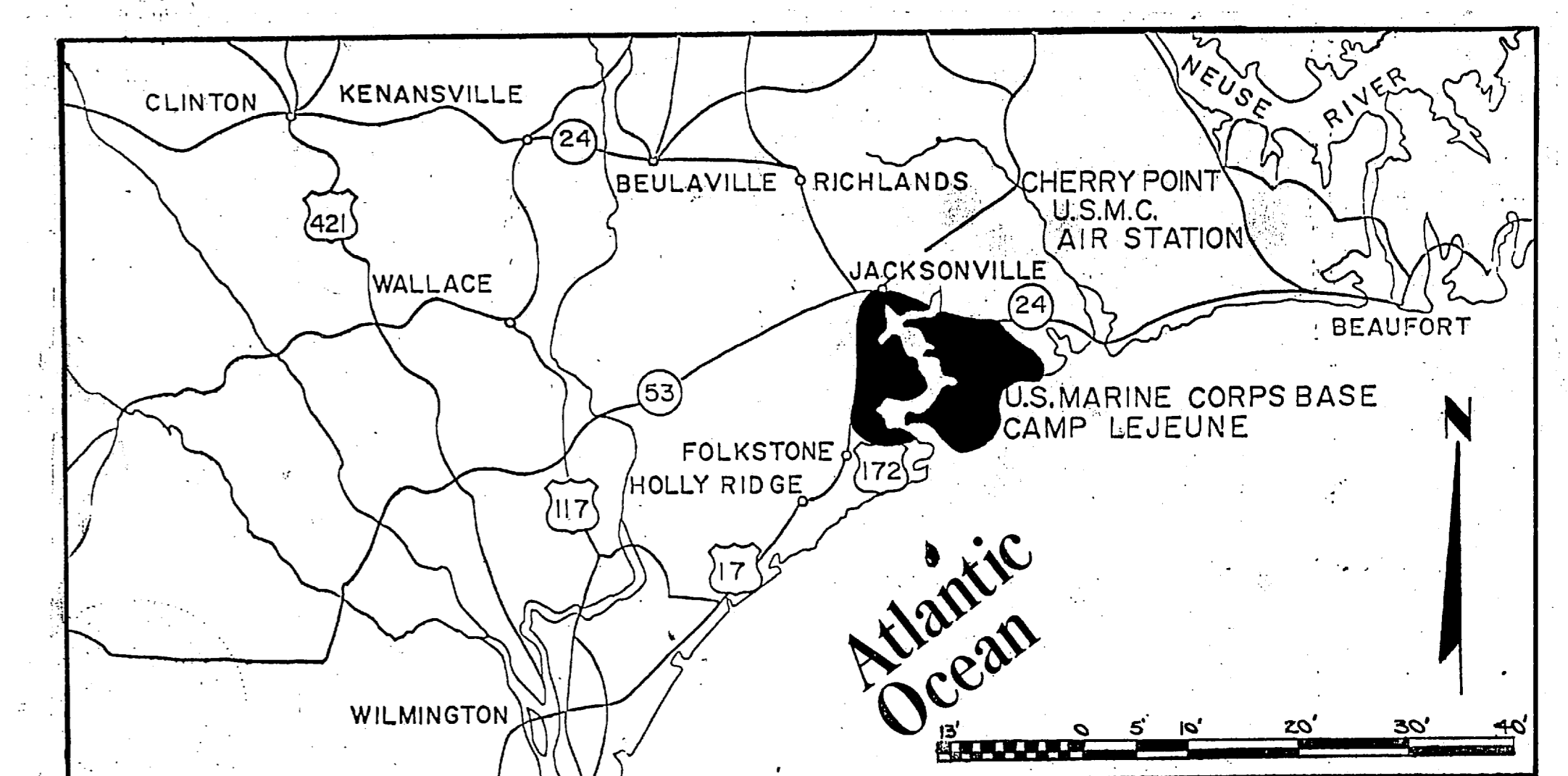
N62470-86-C-5412
NR 3028

E-1	
DEPARTMENT OF THE NAVY NAVAL FACILITIES ENGINEERING COMMAND MARINE CORPS BASE CAMP LEJEUNE, NORTH CAROLINA	
RPR/RPL FUEL FARM CONTROL CIRCUITS	
DES. AYOUNG	MAPS & ELECTRICAL SITE PLAN.
DR. AY	
CHK. [Signature]	
SUBMITTED BY: [Signature]	
DESIGN DIR. [Signature]	
APPROVED: PWO OR OIC	DATE: 11/17/48
SATISFACTORY TO:	DATE:
SIZE: F	CODE IDENT. NO.: 80091
NAVFAC DRAWING NO.: 4126619	CONSTR. CONTR. NO.: N62470-86-C-5412
SCALE: GRAPHIC SPEC: 05-84-7138	SHEET 1 OF 4

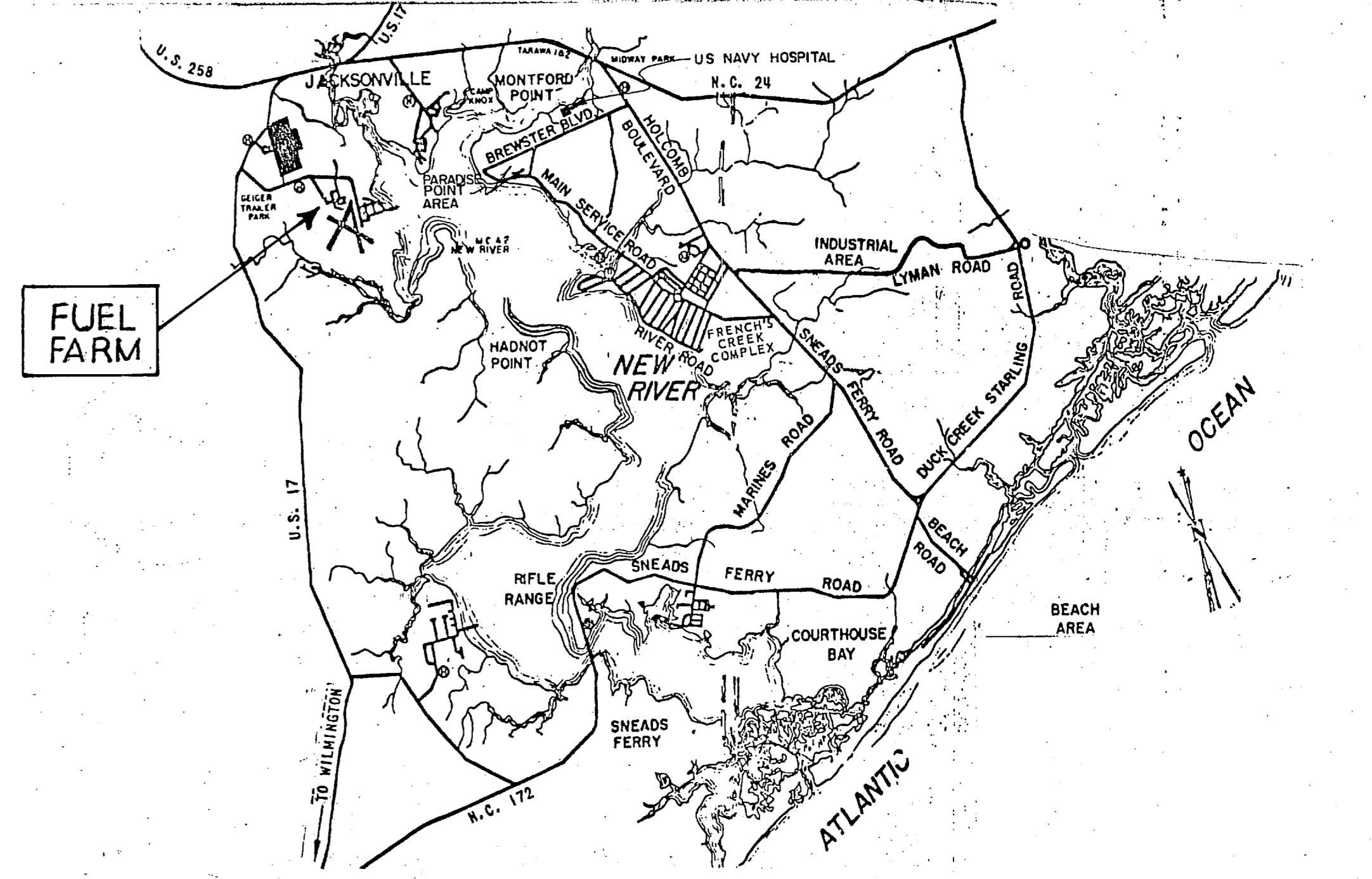
020



REVISIONS			
SYM.	DESCRIPTION	DATE	APPROVED

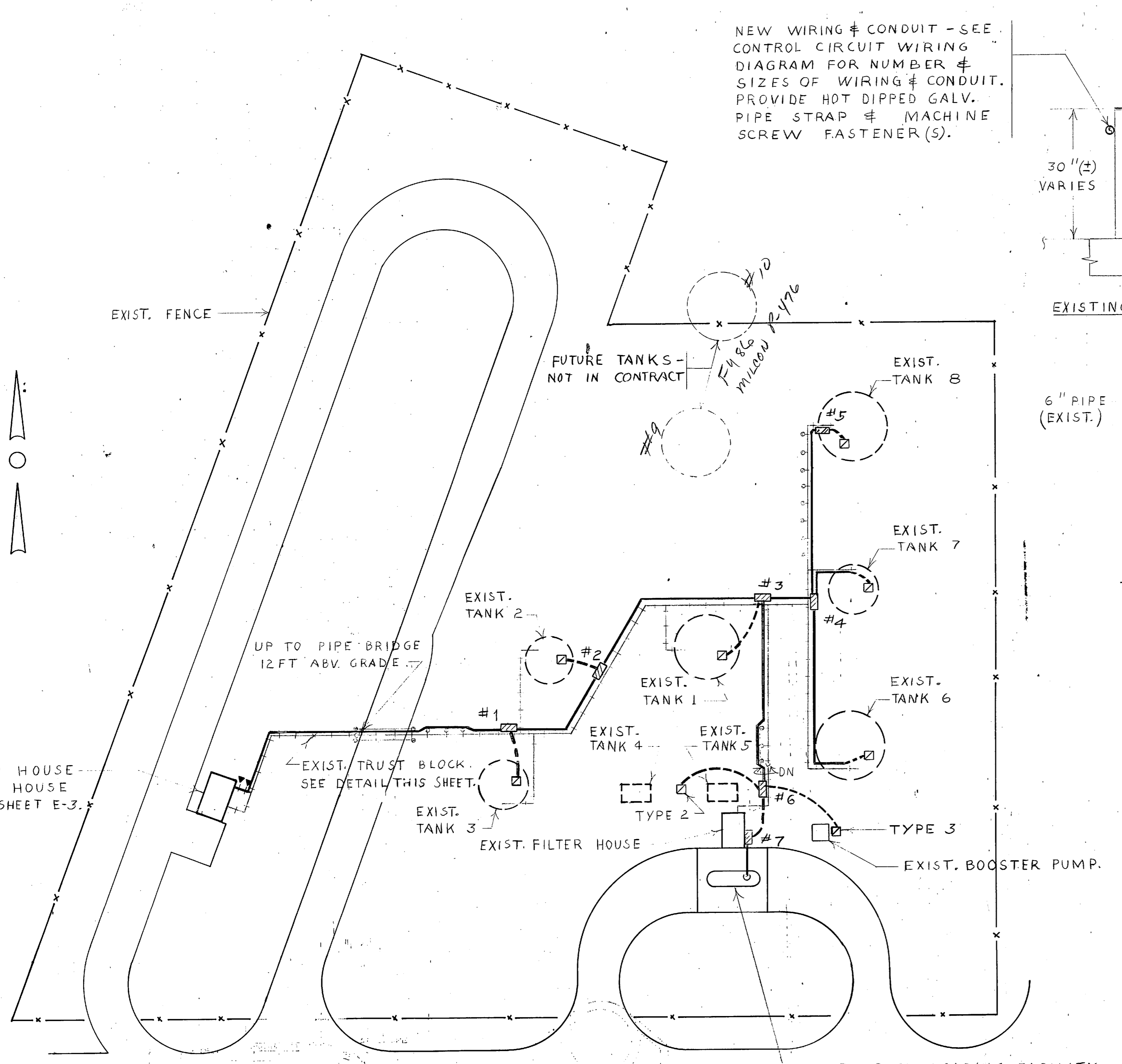


VICINITY MAP
scale: 1" = 13 miles

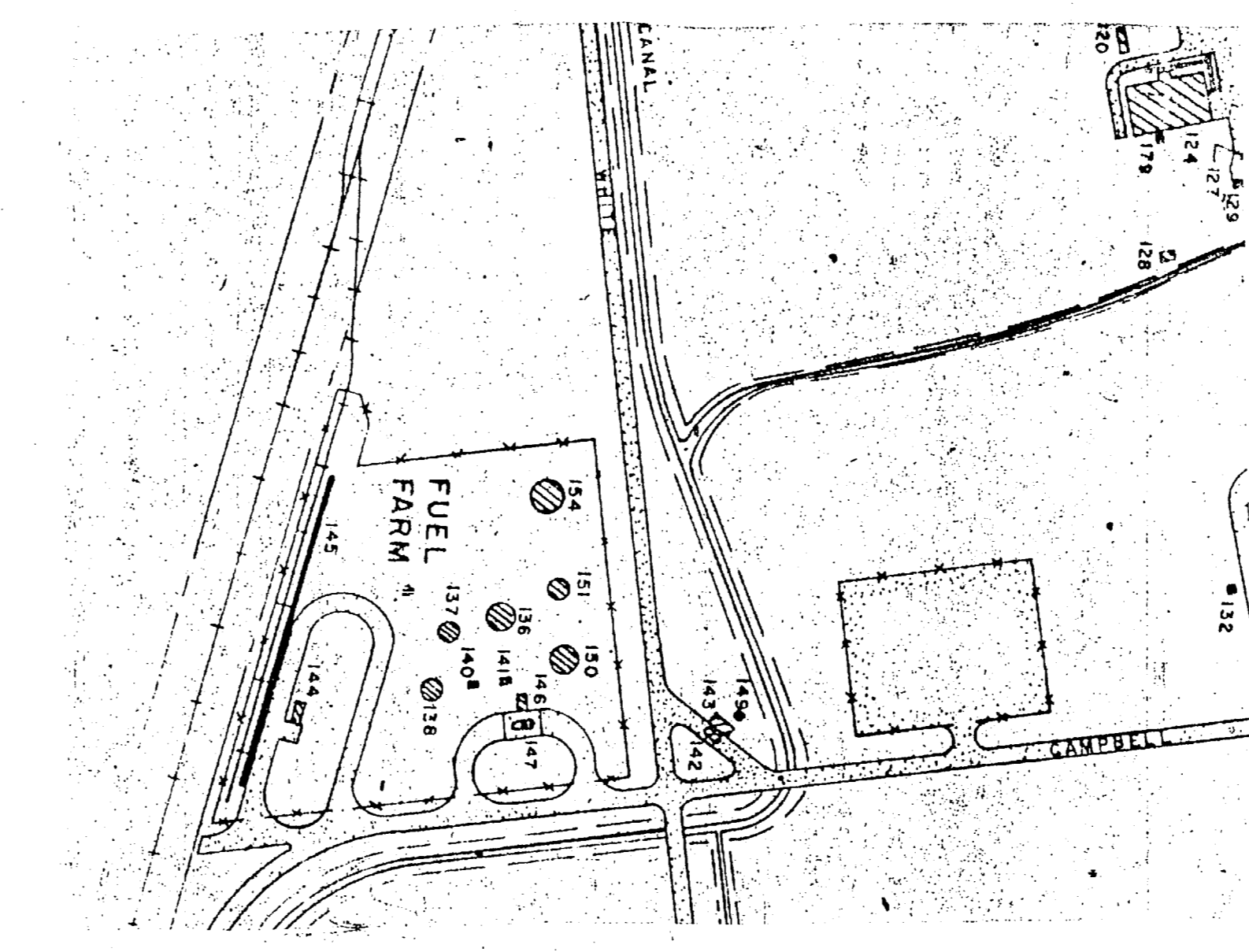
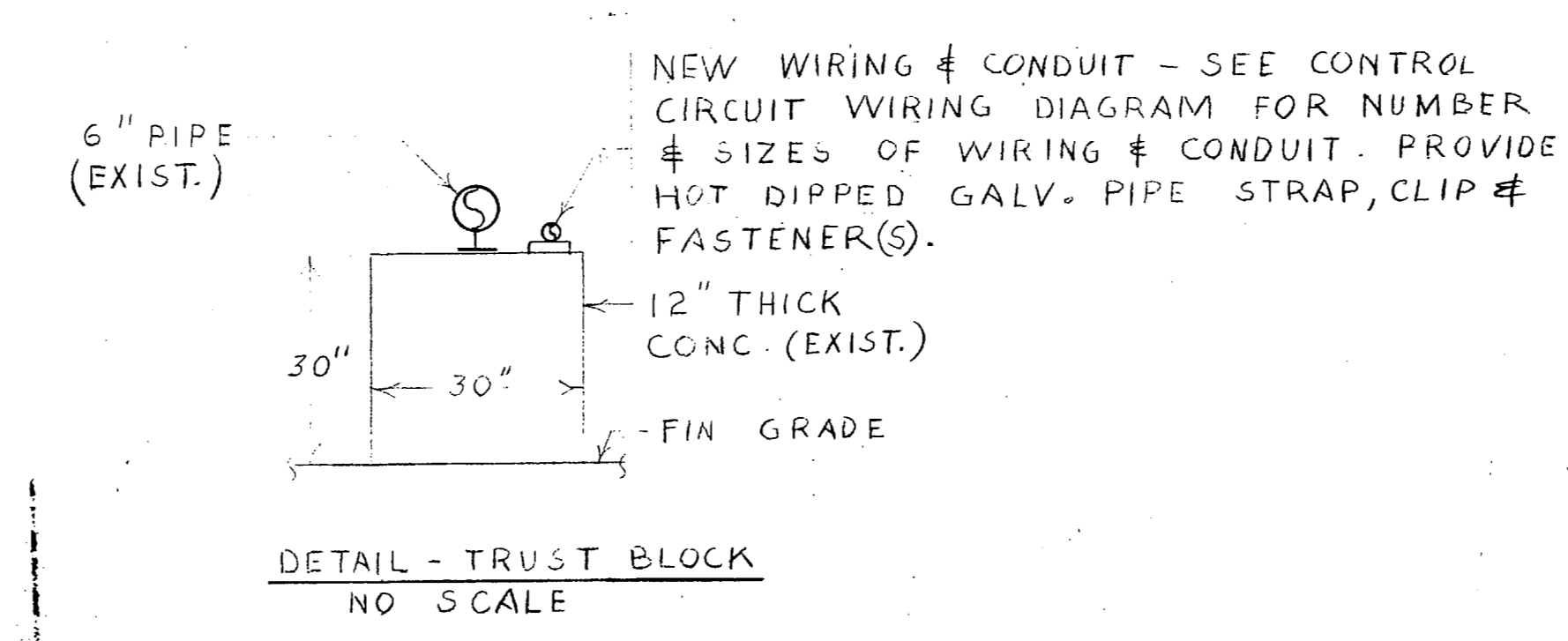
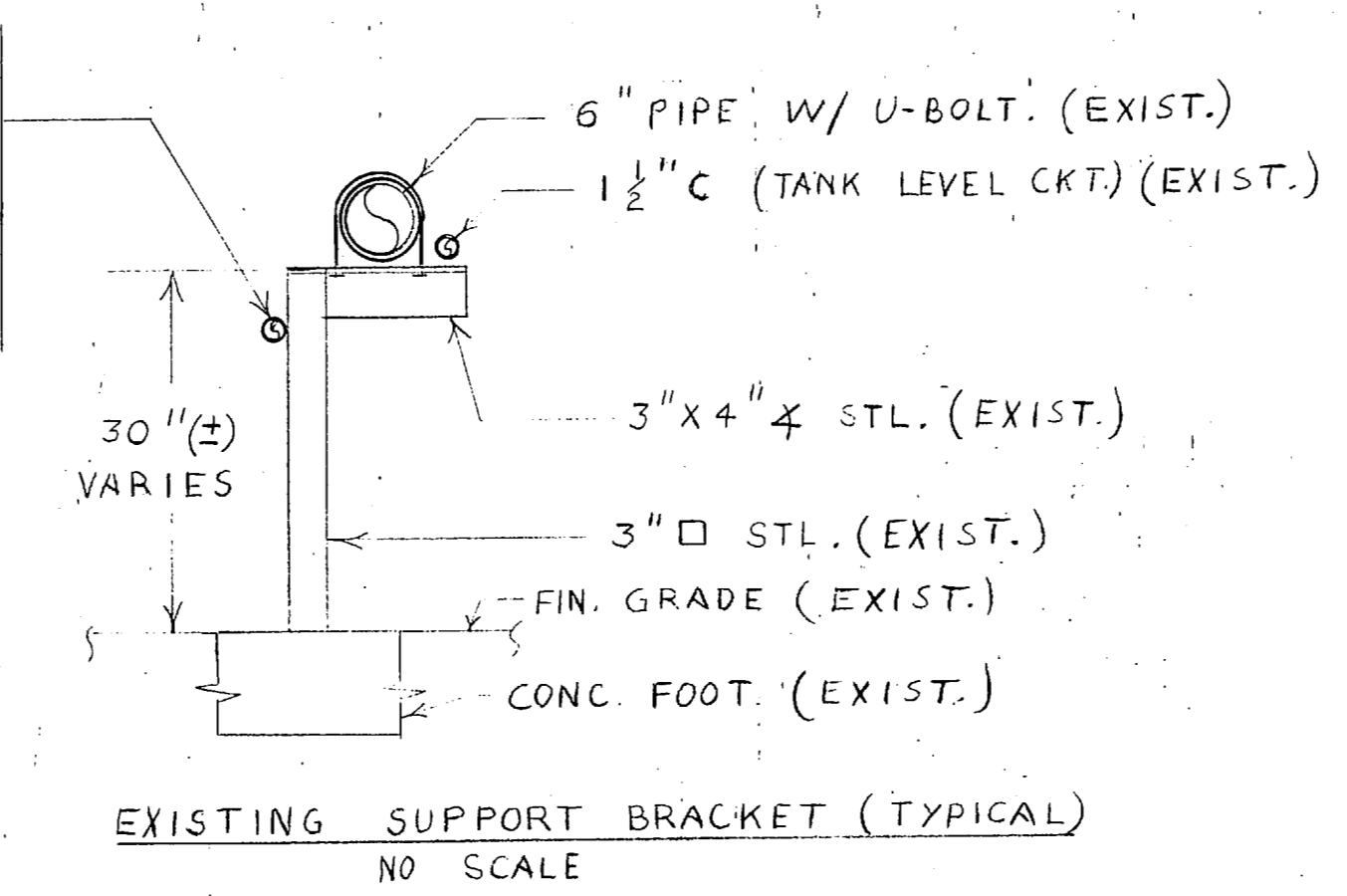


LOCATION MAP * CAMP LEJEUNE
1:13

INDEX OF DRAWINGS		
NAVFAC DWG. NO.	SHEET NO.	TITLE
412 6619	E-1	MAPS & ELECTRICAL SITE PLAN.
412 6620	E-2	SCHEMATIC WIRING DIAGRAM.
412 6621	E-3	CONTROL STATIONS & DETAIL.
412 6622	E-4	ELECTRICAL PLANS.



ELECTRICAL SITE PLAN
SCALE: 1" = 40'-0"



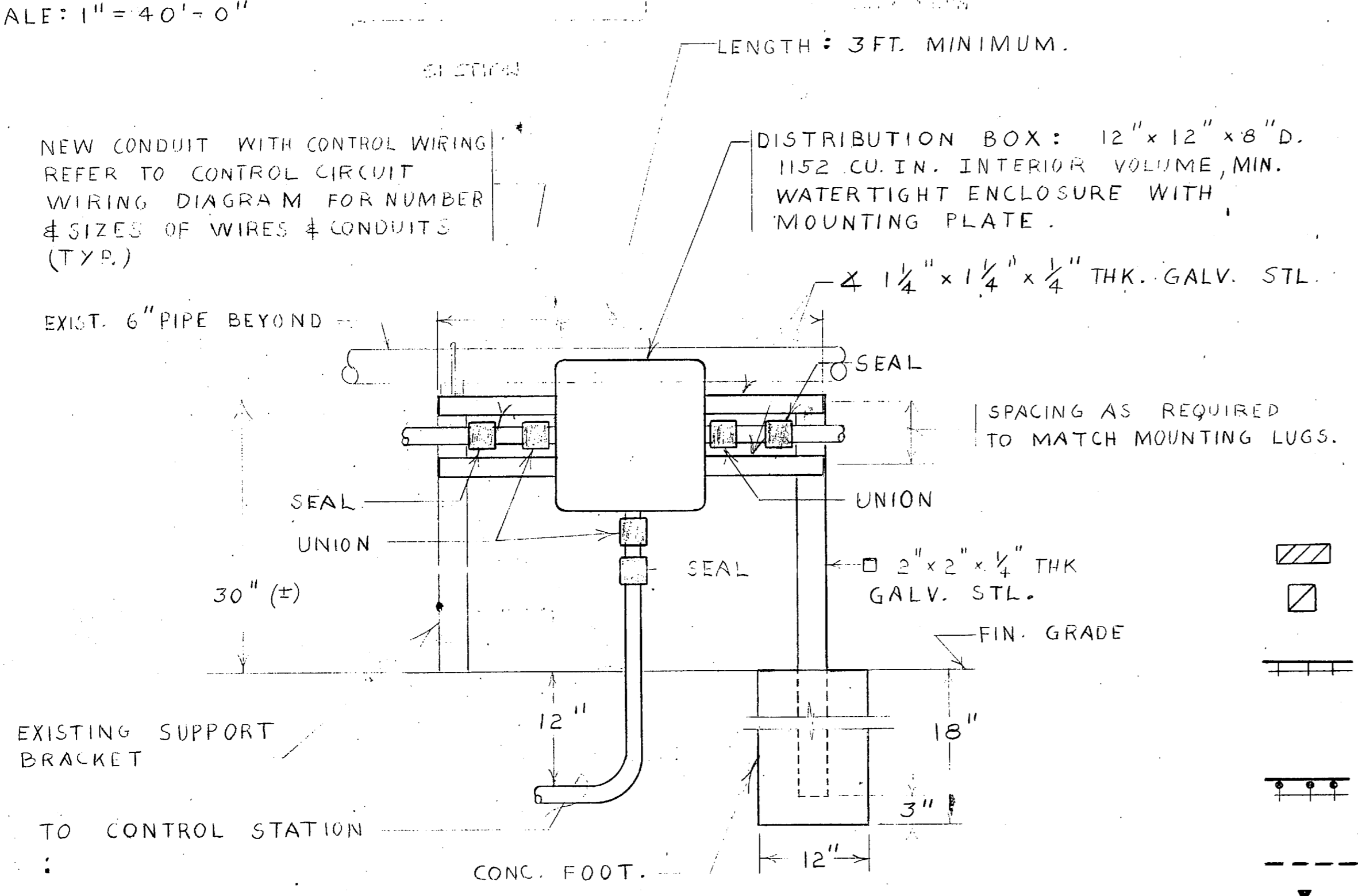
AREA MAP - FUEL FARM
NO SCALE

GENERAL NOTES

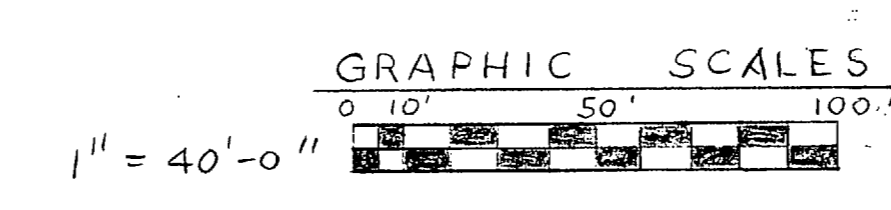
1. THE AREA WITHIN THE CONFINES OF THE FENCE IS DESIGNATED AS CLASS I HAZARDOUS LOCATION UNLESS NOTED OTHERWISE. NEW WIRING, CONDUITS, & EQUIPMENT BELOW GRADE SHALL CONFORM TO CLASS I, DIV. 1.
2. LENGTH OF (WOOD POLE) SUPPORT COLUMN VARIES TO MAXIMUM OF 20 FT. ABOVE GRADE.
3. ALL NEW UNDERGROUND CIRCUITS SHALL BE HAND TRENCHED AT A MINIMUM OF 12 INCHES DEEP.
4. SEE CONTROL CIRCUIT RISER DIAGRAM ON SHEET E-2 FOR NUMBER & SIZES OF WIRING & CONDUITS.
5. EXISTING EQUIPMENT IS TO REMAIN UNLESS NOTED OTHERWISE.
6. ALL WORK & MATERIALS, UNLESS NOTED OTHERWISE AS EXISTING, ARE NEW & SHALL BE PROVIDED BY CONTRACTOR.

LEGEND

- ▨ DISTRIBUTION BOX - SEE DETAIL ON THIS SHEET.
- TANK CONTROL STATION - TYPE L UNO. SEE DETAIL ON SHEET E-3.
- NEW WIRING & CONDUIT MOUNTED TO EXIST'G ABOVEGROUND PIPELINE SUPPORT BRACKET. SEE EXIST'G SUPPORT BRACKET ON THIS SHEET.
- SAME AS ABOVE EXCEPT WOOD POLE IS SUPPORT COLUMN.
- NEW UNDERGROUND WIRING & CONDUIT.
- NEW WIRING & CONDUIT MOUNTED TO NEW CONDUIT RACEWAY SUPPORT. SEE DETAIL 'A' ON SHEET E-3.
- EXIST'G ABOVEGROUND PIPELINE.
- UNO UNLESS NOTED OTHERWISE.



DISTRIBUTION BOX DETAIL-TYPICAL
NO SCALE

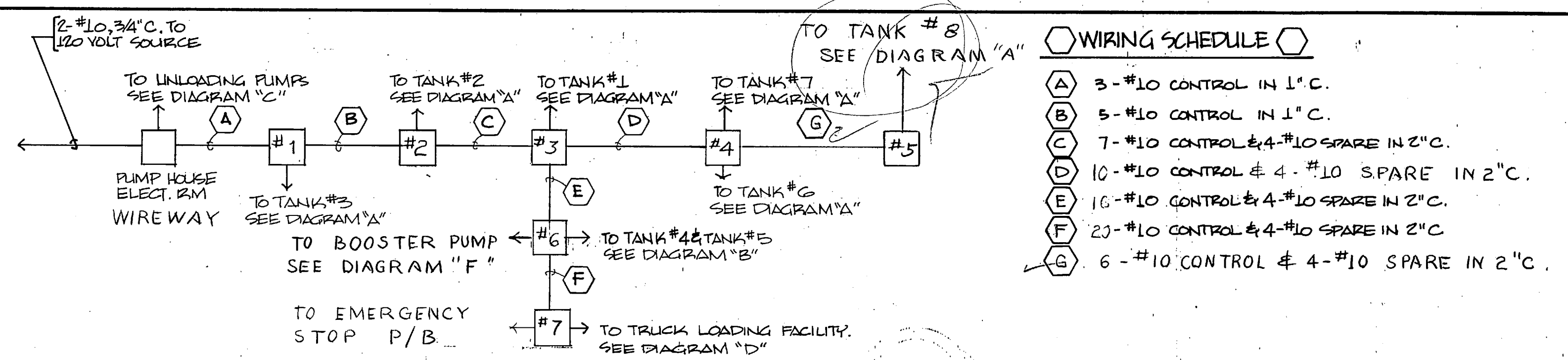


N162470-86-C-5412
NR 3028

E-1	
DEPARTMENT OF THE NAVY NAVAL FACILITIES ENGINEERING COMMAND MARINE CORPS BASE CAMP LEJEUNE, NORTH CAROLINA	
DES. A. YOUNG	RPR/RPL FUEL FARM CONTROL CIRCUITS
DR. A. Y.	
CHK. A. Young 7/10/85	
SUBMITTED BY: A. Young	MAPS & ELECTRICAL SITE PLAN.
DESIGN DIR. P. [Signature]	
APPROVED: PWO OR DIC	DATE
DATE 4/17/85	
SATISFACTORY TO:	DATE
SIZE F	CODE IDENT. NO. 80091
	NAVFAC DRAWING NO. 4126619
	CONSTR. CONTR. NO. N162470-86-C-7938
SCALE: GRAPHIC SPEC. 05-84-7938	SHEET 1 OF 4



REVISIONS			
SYM.	DESCRIPTION	DATE	APPROVED



CONTROL CIRCUIT RISER DIAGRAM
NO SCALE

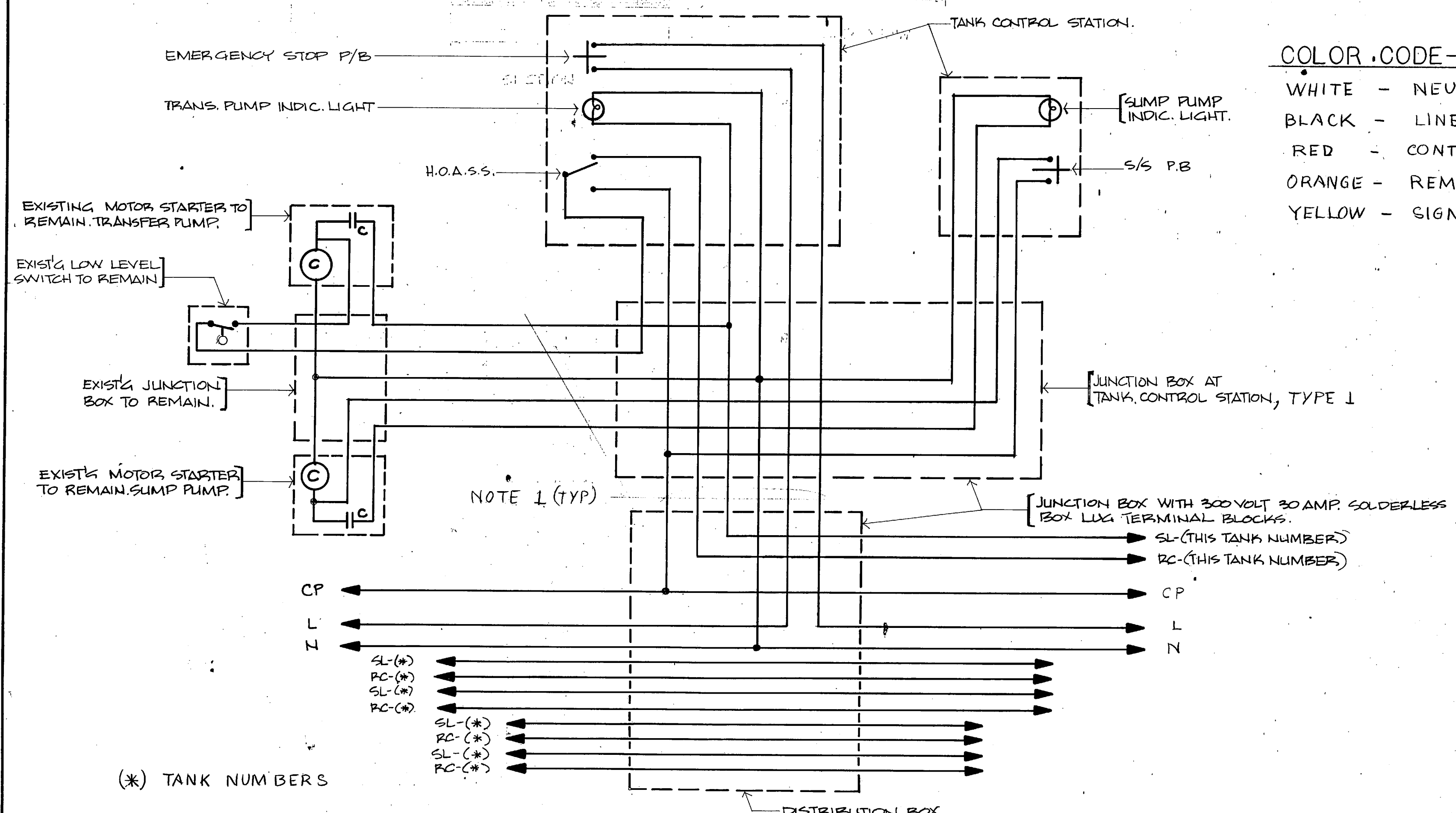


DIAGRAM "A" - TYPICAL SCHEMATIC WIRING DIAGRAM - TANK CONTROL STATION & DISTRIBUTION BOX
NOT TO SCALE

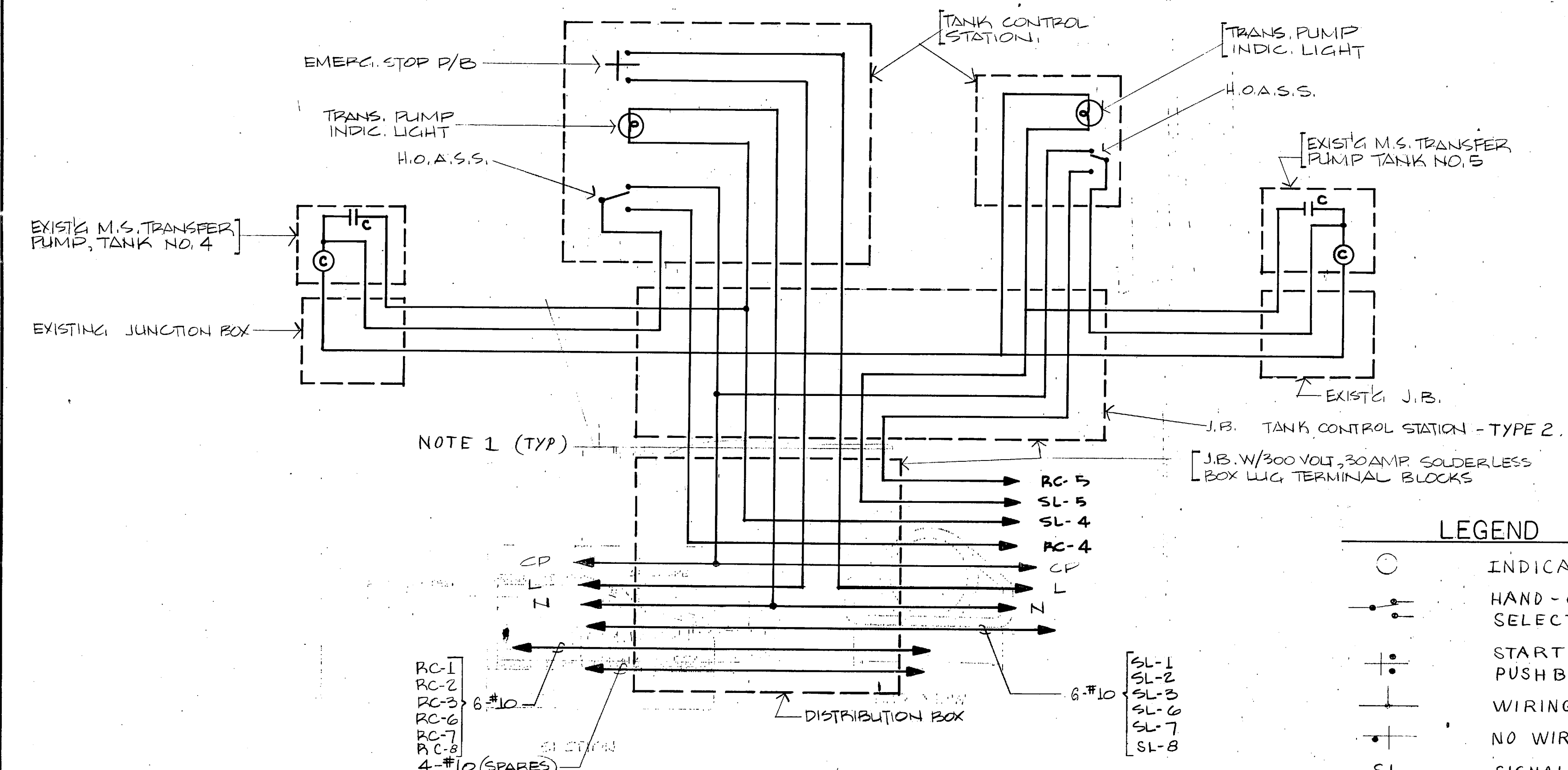


DIAGRAM B - SCHEMATIC WIRING DIAGRAM TANK CONTROL STATION & DISTRIBUTION BOX, TANK NO. 4 & TANK NO. 5
NOT TO SCALE

COLOR CODE - CONTROL WIRES
 WHITE - NEUTRAL - N
 BLACK - LINE POWER - L
 RED - CONTROL POWER - CP
 ORANGE - REMOTE CONTROL - RC
 YELLOW - SIGNAL - SL

LEGEND
 ○ INDICATING LIGHT
 —•— HAND-OFF-AUTOMATIC SELECTOR SWITCH
 —•— START/STOP MAINTAINED PUSHBUTTON
 —•— WIRING CONNECTION
 —•— NO WIRING CONNECTION
 SL SIGNAL
 RC REMOTE CONTROL
 CP CONTROL POWER
 L LINE POWER
 N NEUTRAL

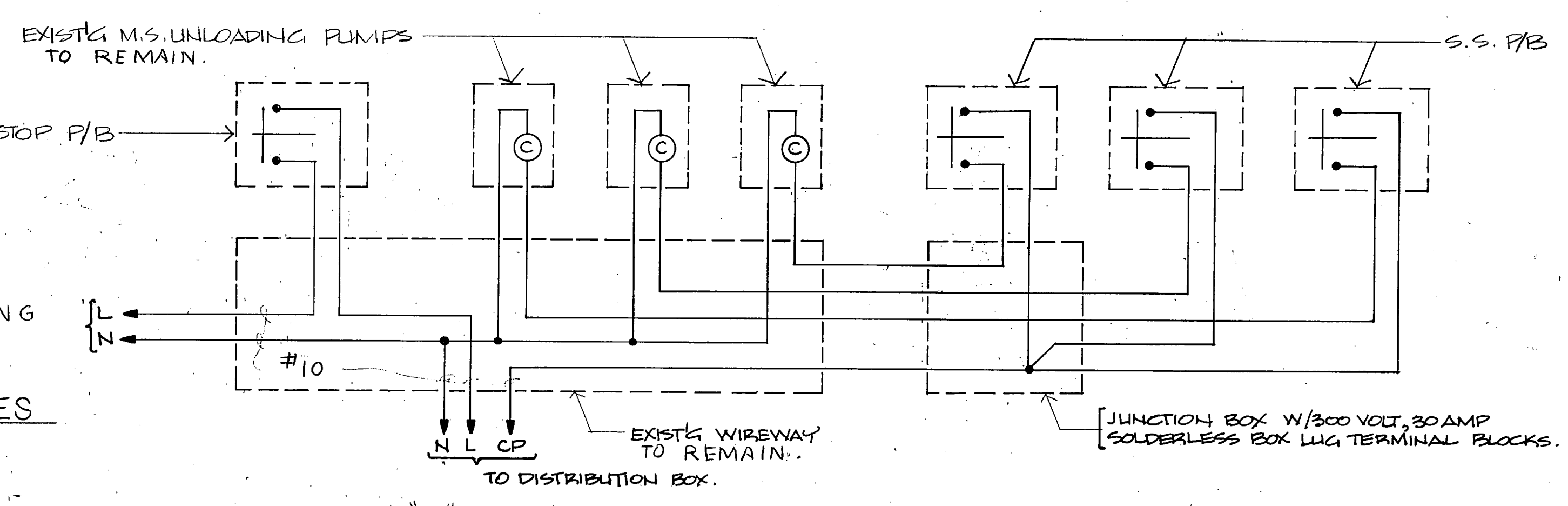


DIAGRAM "C" - SCHEMATIC WIRING DIAGRAM - PUMP HOUSE
NO SCALE

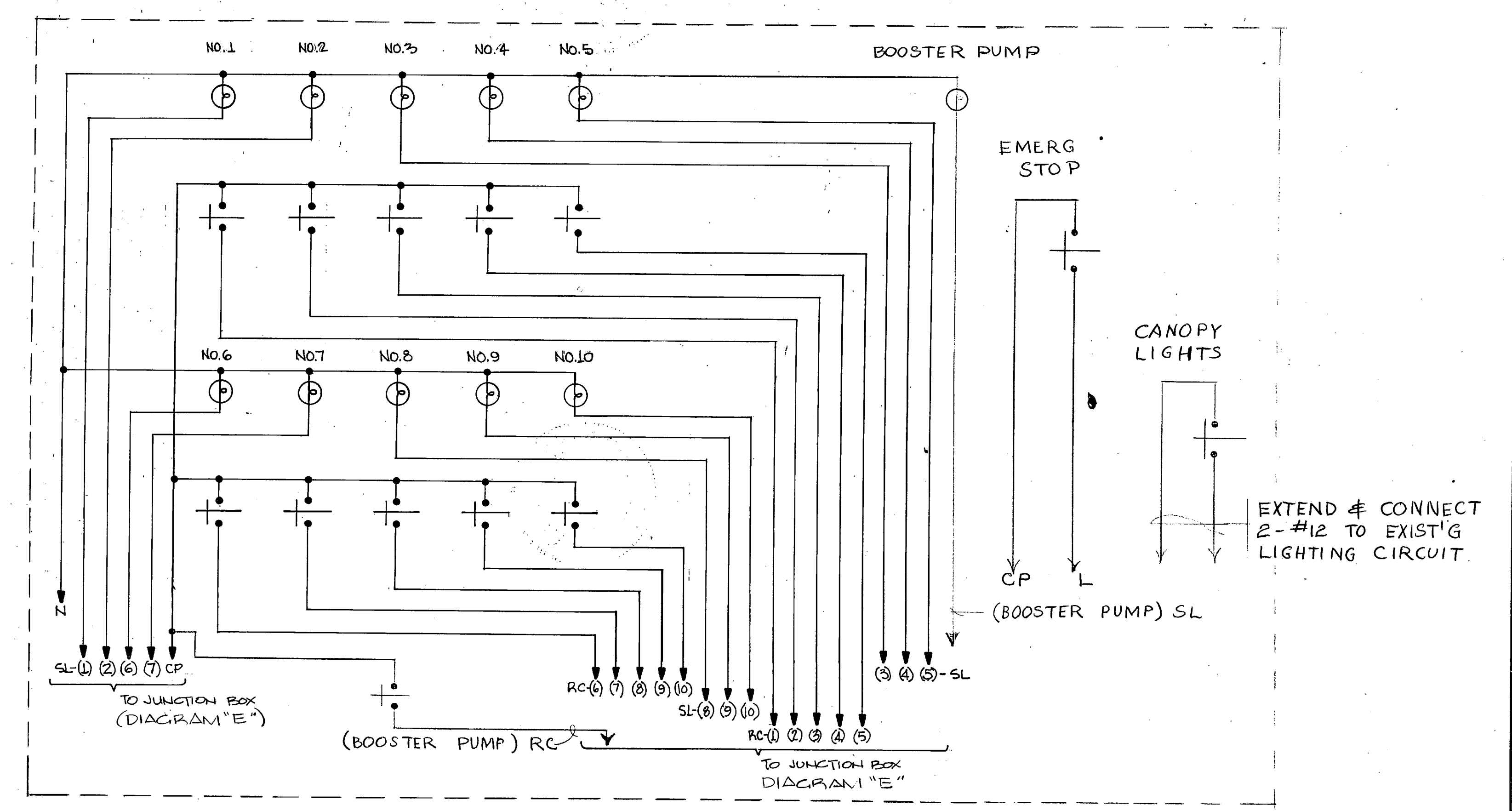


DIAGRAM "D" - SCHEMATIC WIRING DIAGRAM - TRUCK LOADING FACILITY
NO SCALE

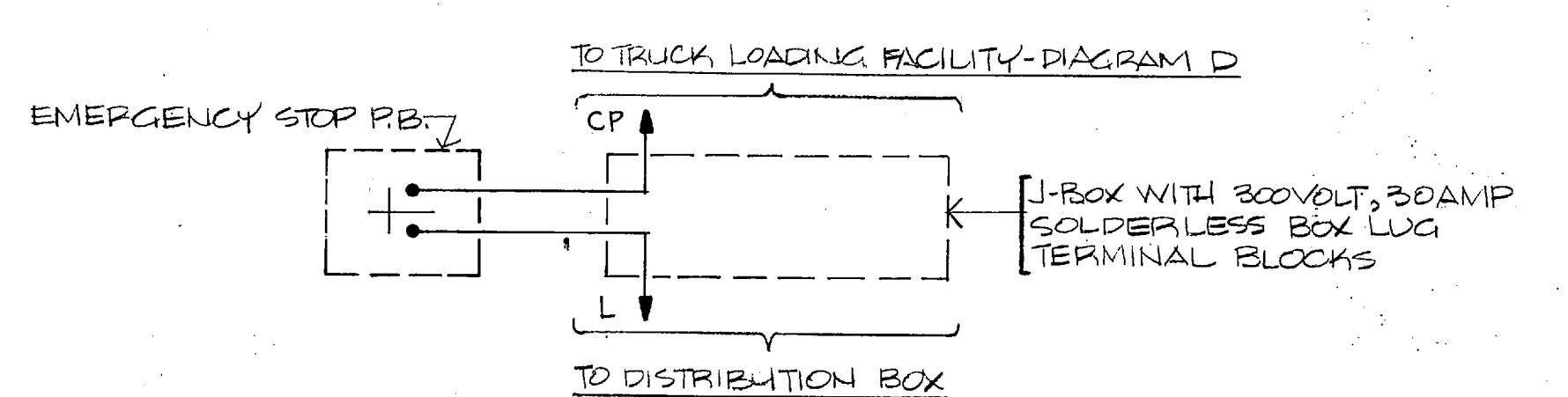


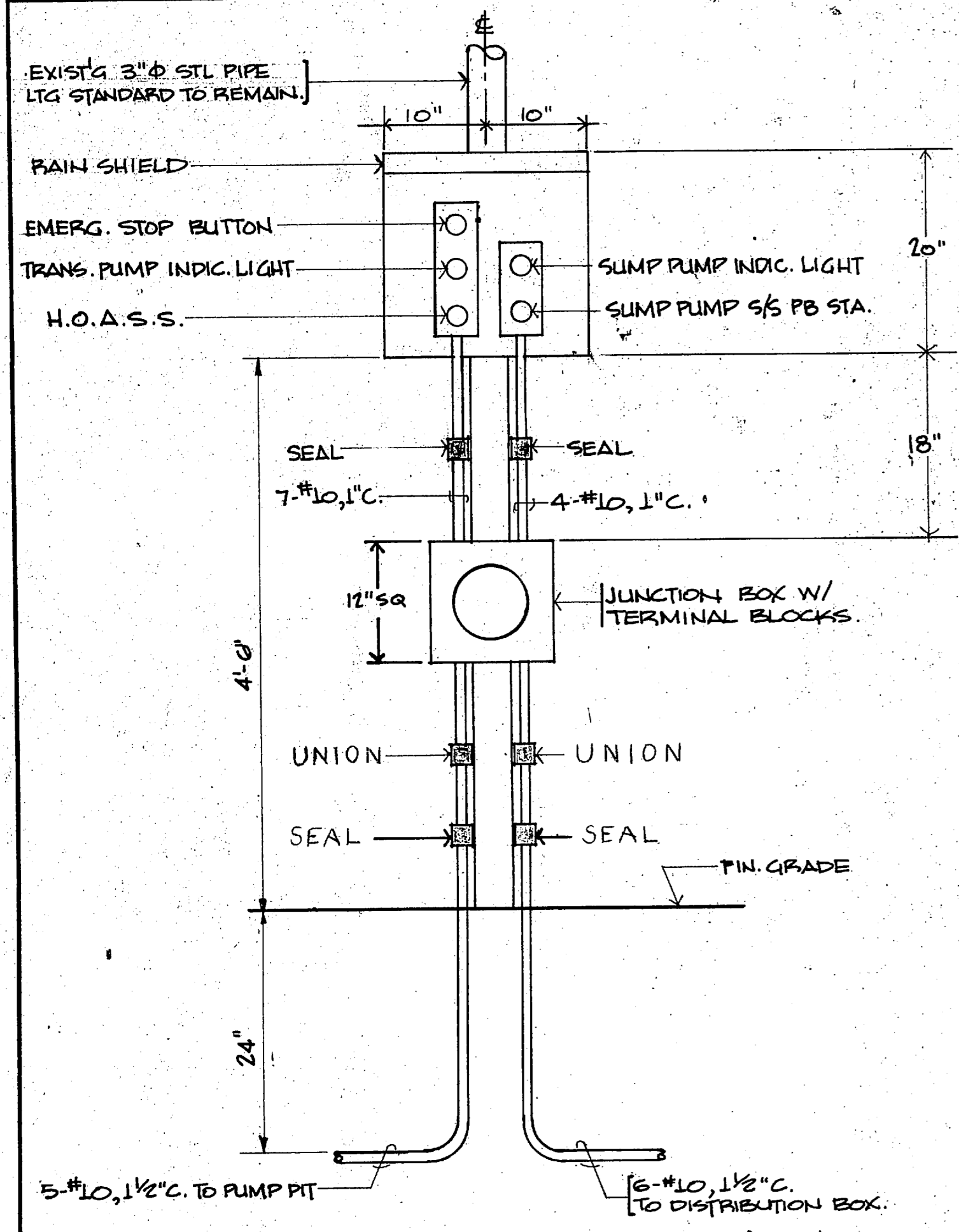
DIAGRAM E - EMERGENCY STOP @ TRUCK LOADING FACILITY
NO SCALE

- NOTES
- REFER TO TANK CONTROL STATION - TYPE 1/2 FOR WIRE & CONDUIT SIZES
 - ALL WIRING SHALL TERMINATE ON TERMINAL BLOCKS & WIRING JUMPERS SHALL BE PROVIDED FOR INTER CONNECTIONS AS REQUIRED.

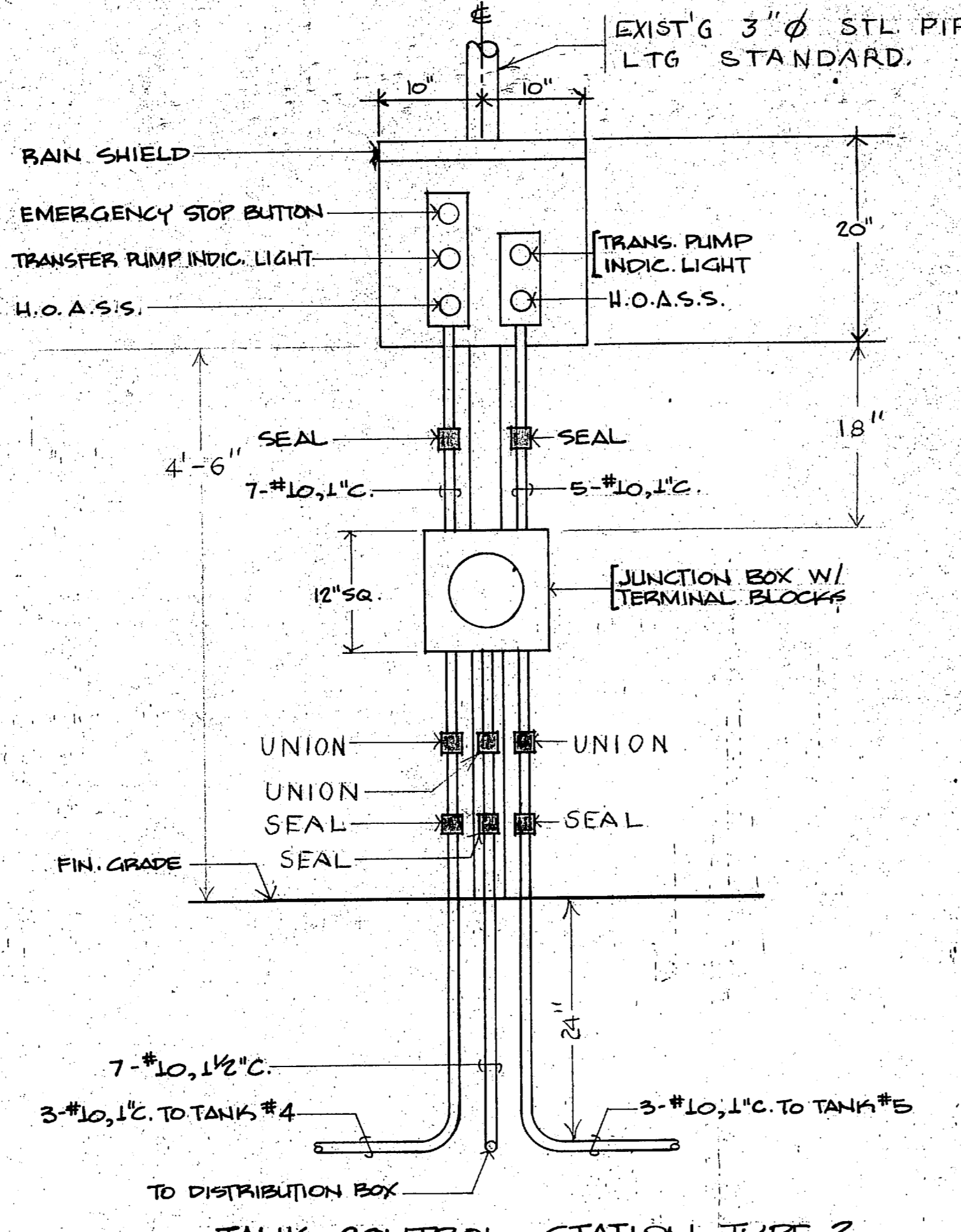
DES: A YOUNG		DEPARTMENT OF THE NAVY - NAVAL FACILITIES ENGINEERING COMMAND	
DR: TOM WISSENBERGER		MARINE CORPS BASE	
CHK: [Signature]		CAMP LEJEUNE, NORTH CAROLINA	
SUBMITTED BY: [Signature]		RFB/RPL FUEL PUMP CONTROL CIRCUITS	
DESIGN DIR: [Signature]		SCHEMATIC WIRING DIAGRAM	
APPROVED: PWD-OR DICG	DATE: 7/10/80	SIZE: F	CODE IDENT. NO.: 80091
SATISFACTORY TO:	DATE: 4/19/82	NAVFAC DRAWING NO.: 4126620	CONSTR. CONTR. NO. N2270-84-E 7928
SCALE: GRAPHIC		SPEC. 05-84 7928 SHEET 2 OF 4	

E-2

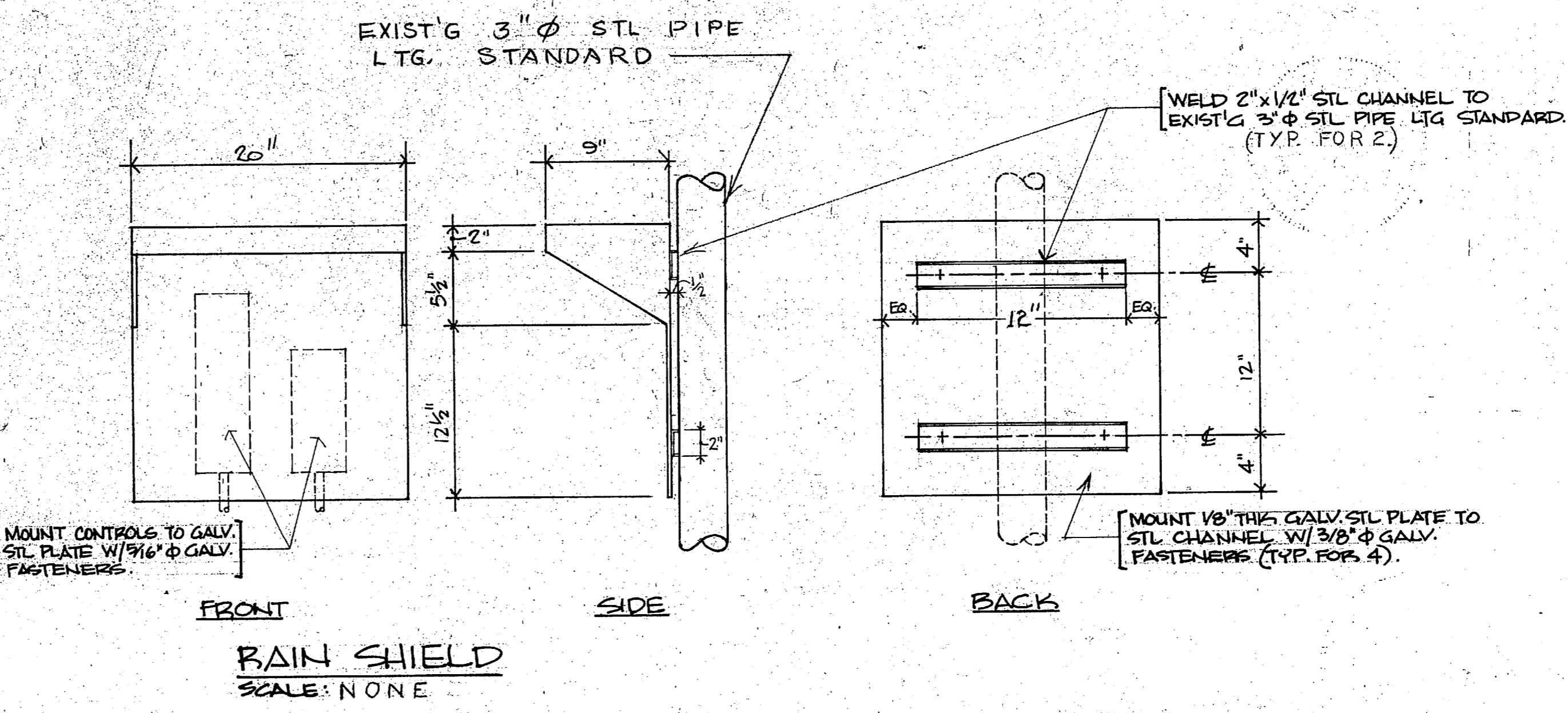
REVISIONS			
SYM.	DESCRIPTION	DATE	APPROVED



TANK CONTROL STATION-TYPE 1
SCALE: NONE



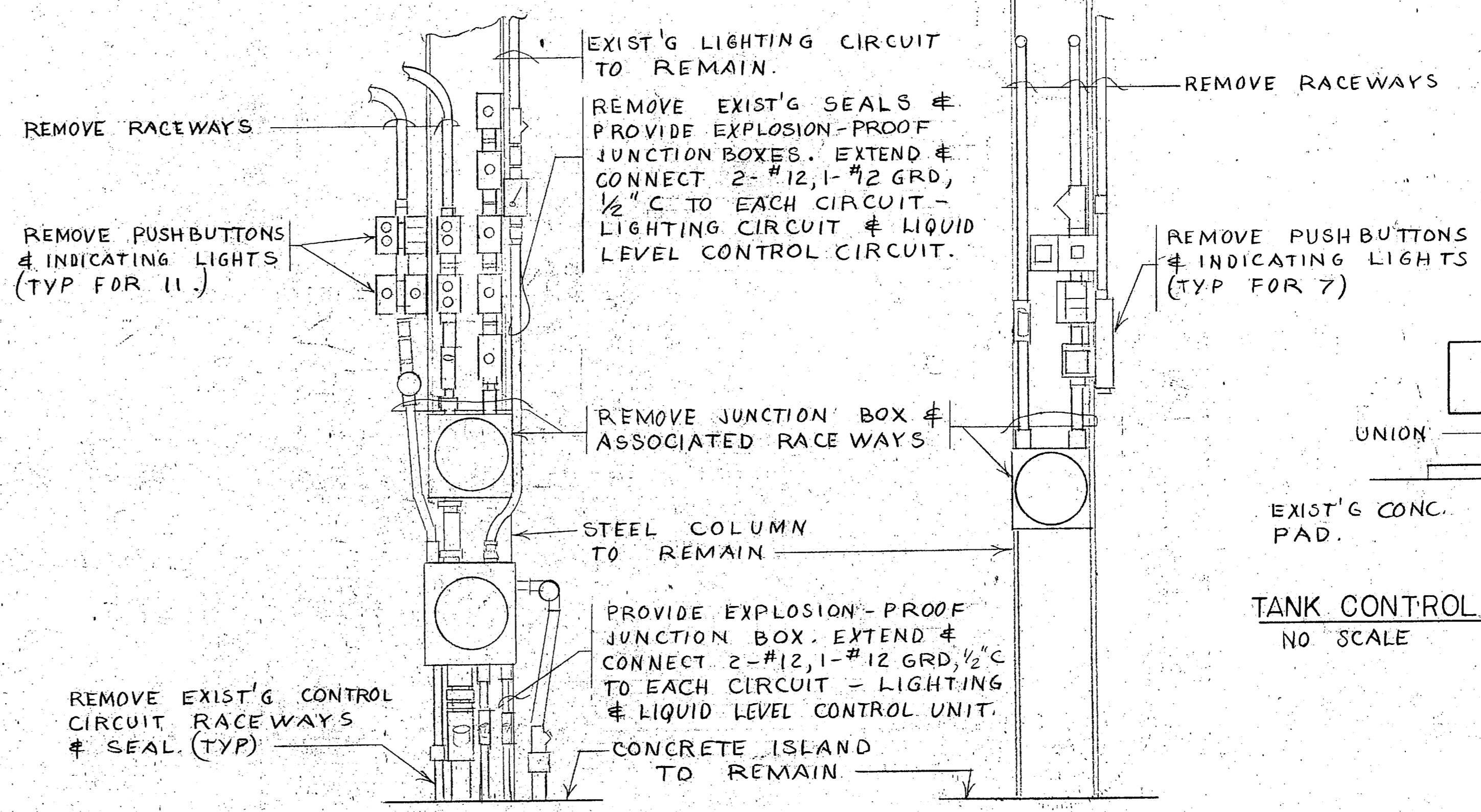
TANK CONTROL STATION-TYPE 2
SCALE: NONE



RAIN SHIELD
SCALE: NONE

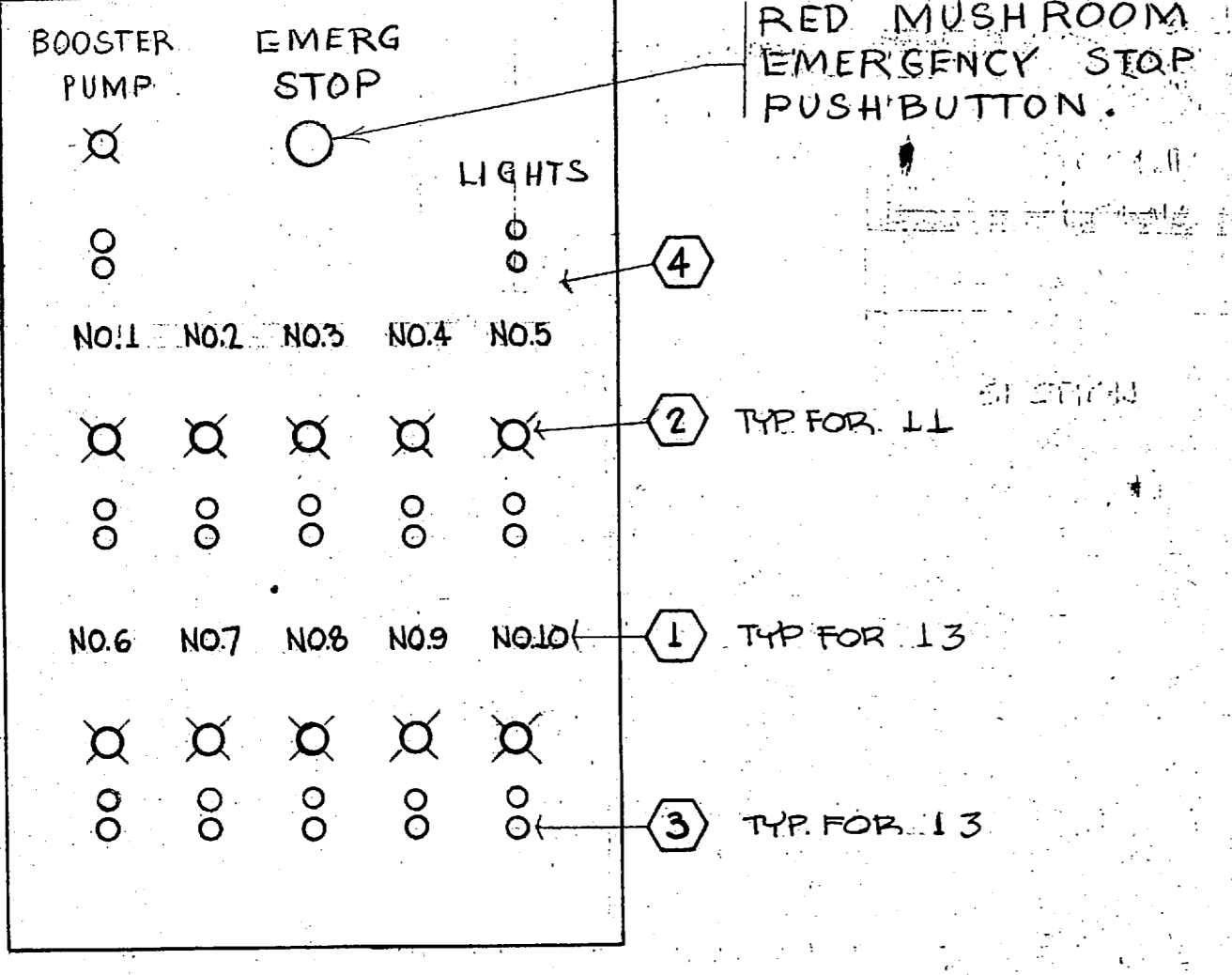
TANK CONTROL STATION-TYPE 3 NOTES

1. PROVIDE SINGLE POLE, NORMALLY-OPENED, 6 AMP CONTINUOUS LOAD CURRENT RATING AT 120 VOLTS WITH 120 VOLT COIL - INTERFACE RELAY.
2. BREAK EXIST'G BOOSTER PUMP CONTROL CIRCUIT & INTERRUPT MAGNETIC CONTACTOR CONTROL CIRCUIT.
4. SEE DIAGRAM "F" - TANK CONTROL STATION - TYPE 3, THIS SHEET.

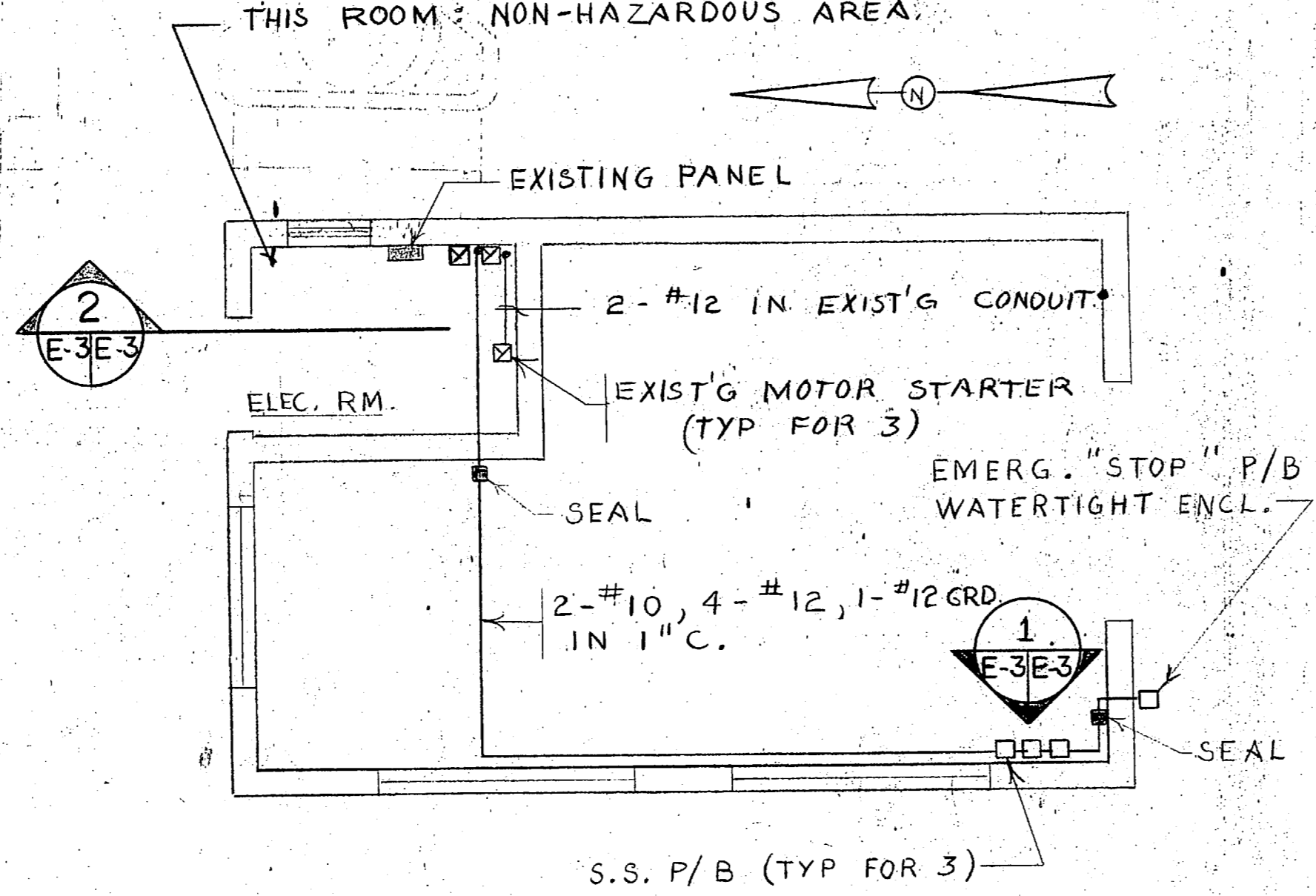


1 ELEVATION
E-3E-3 NO SCALE

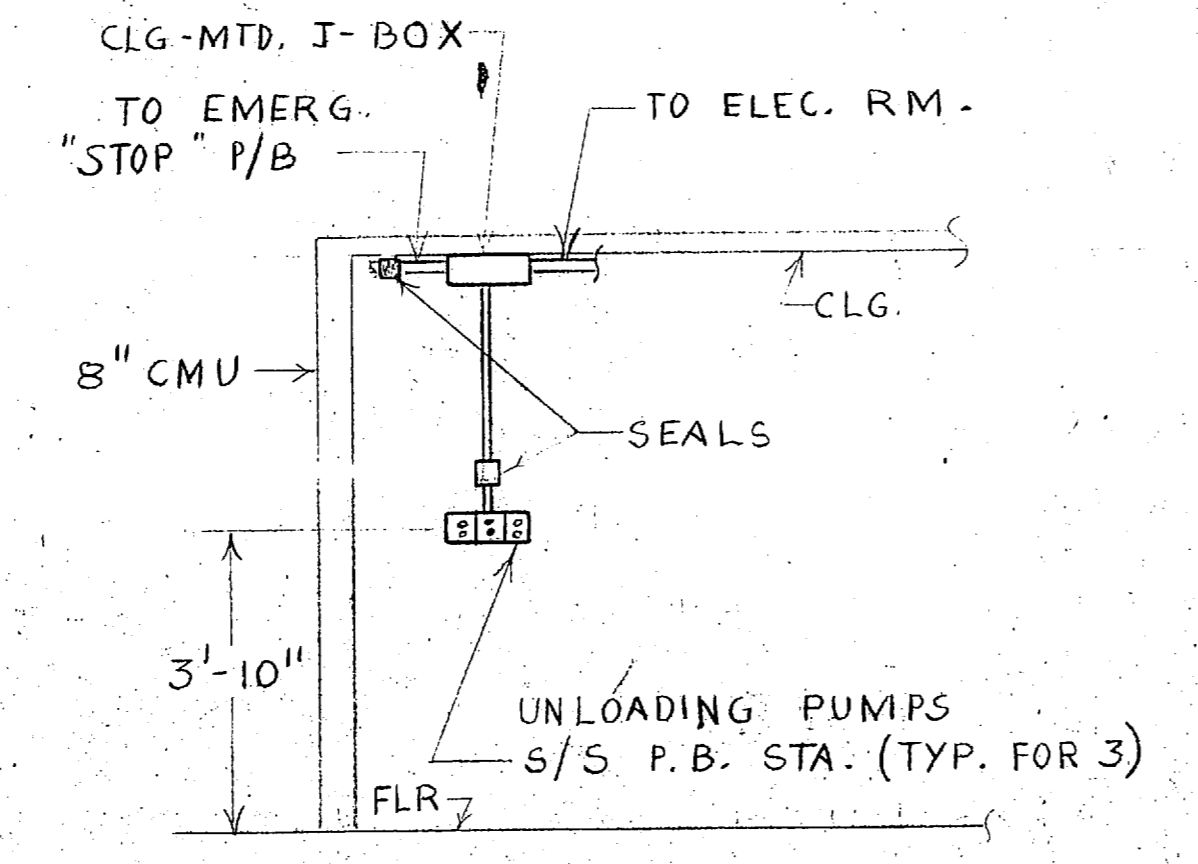
2 ELEVATION
E-3E-3 NO SCALE



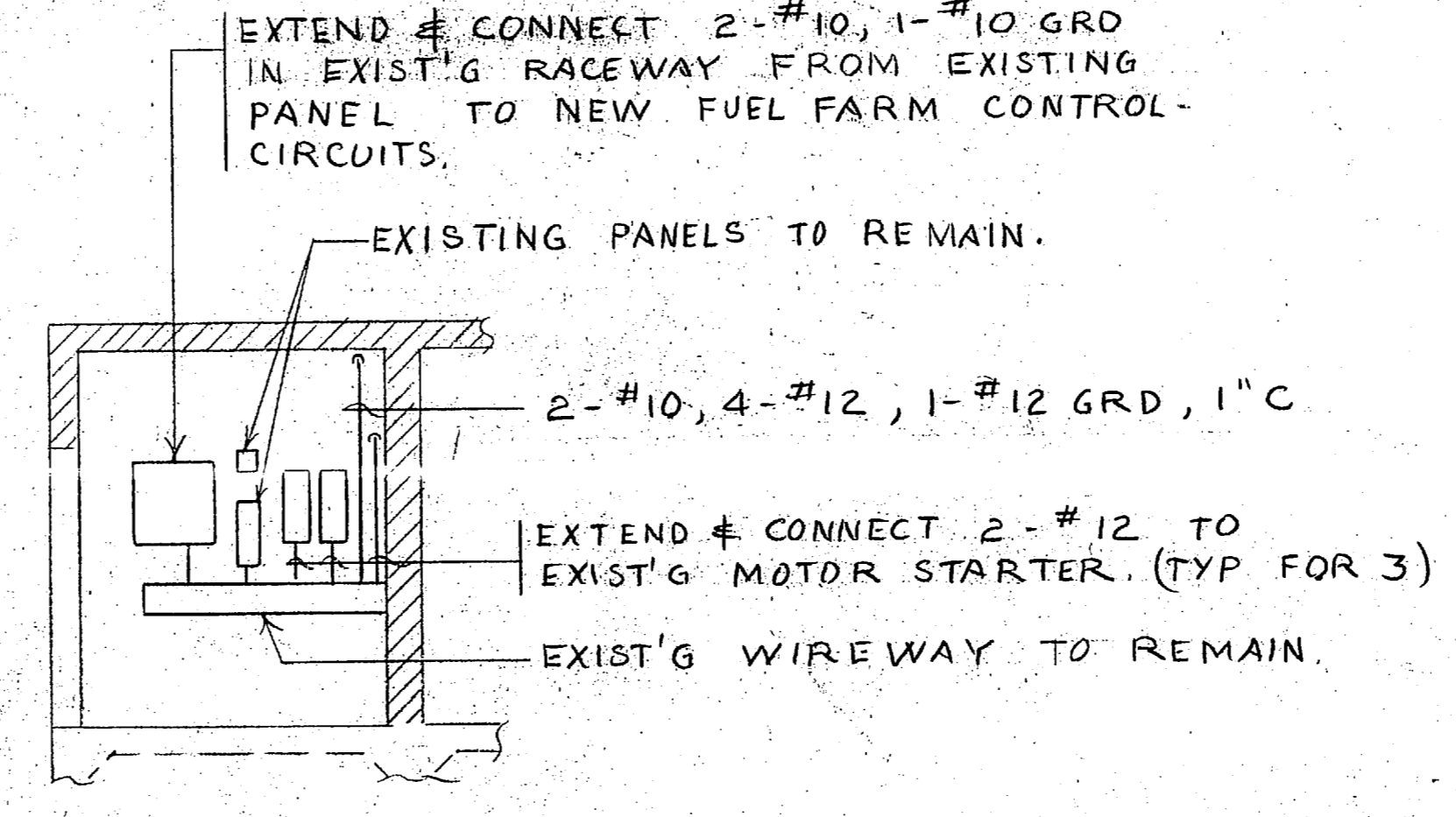
- DISPLAY NOTES:**
- 1 TYPE FACE TO BE 3/6 PT NEWS GOTHIC BOLD CONDENSED.
 - 2 INDICATING LIGHT SHALL BE RED.
 - 3 MAINTAINED CONTACT PUSHBUTTON.
 - 4 SURFACE MOUNTED CONTROL STATION RAINTIGHT ENCLOSURE



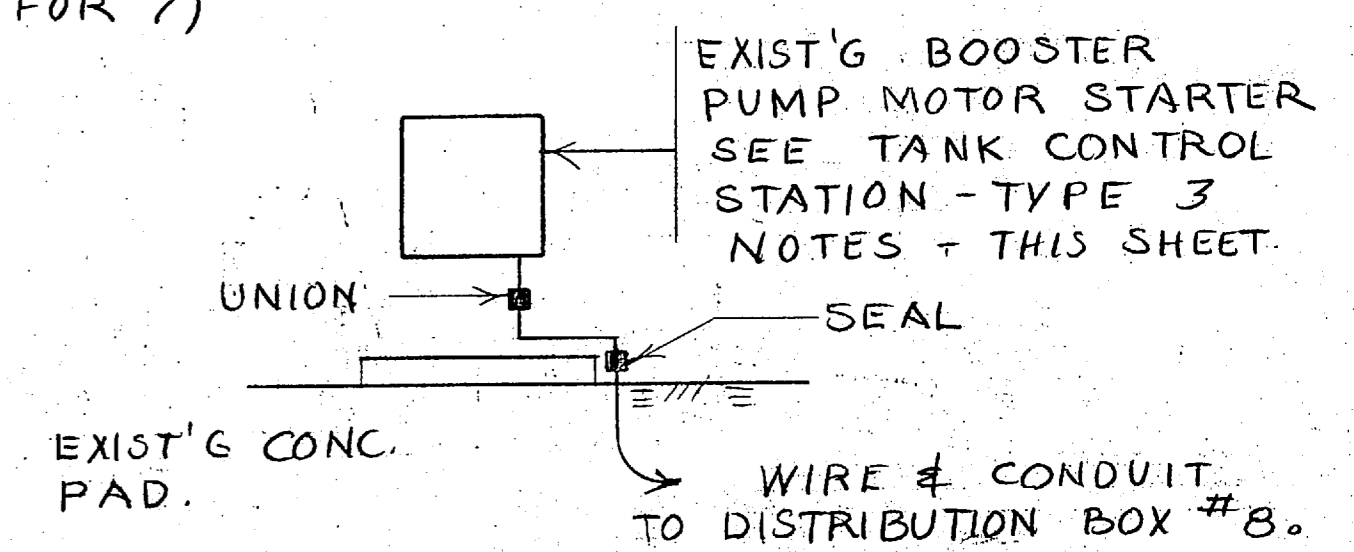
ELECTRICAL PLAN-PUMP HOUSE
SCALE: 1/4" = 1'-0"



1 ELEVATION
E-3E-3 NO SCALE



2 ELEVATION
E-3E-3 NO SCALE



TANK CONTROL STATION-TYPE 3
NO SCALE

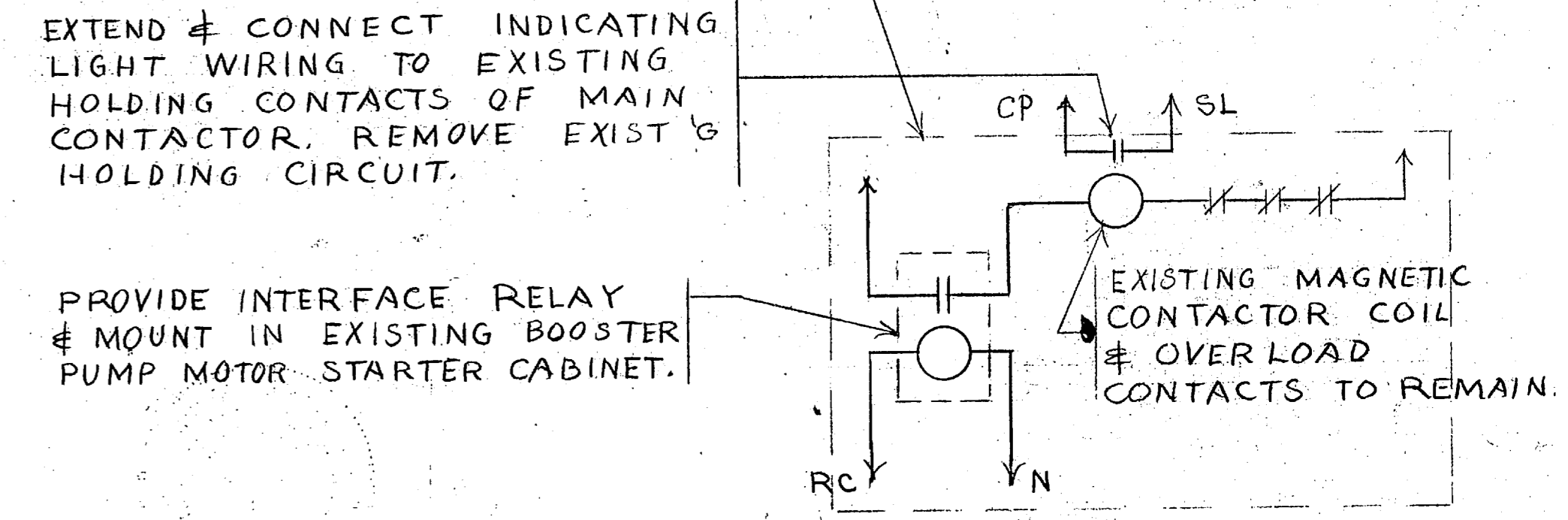
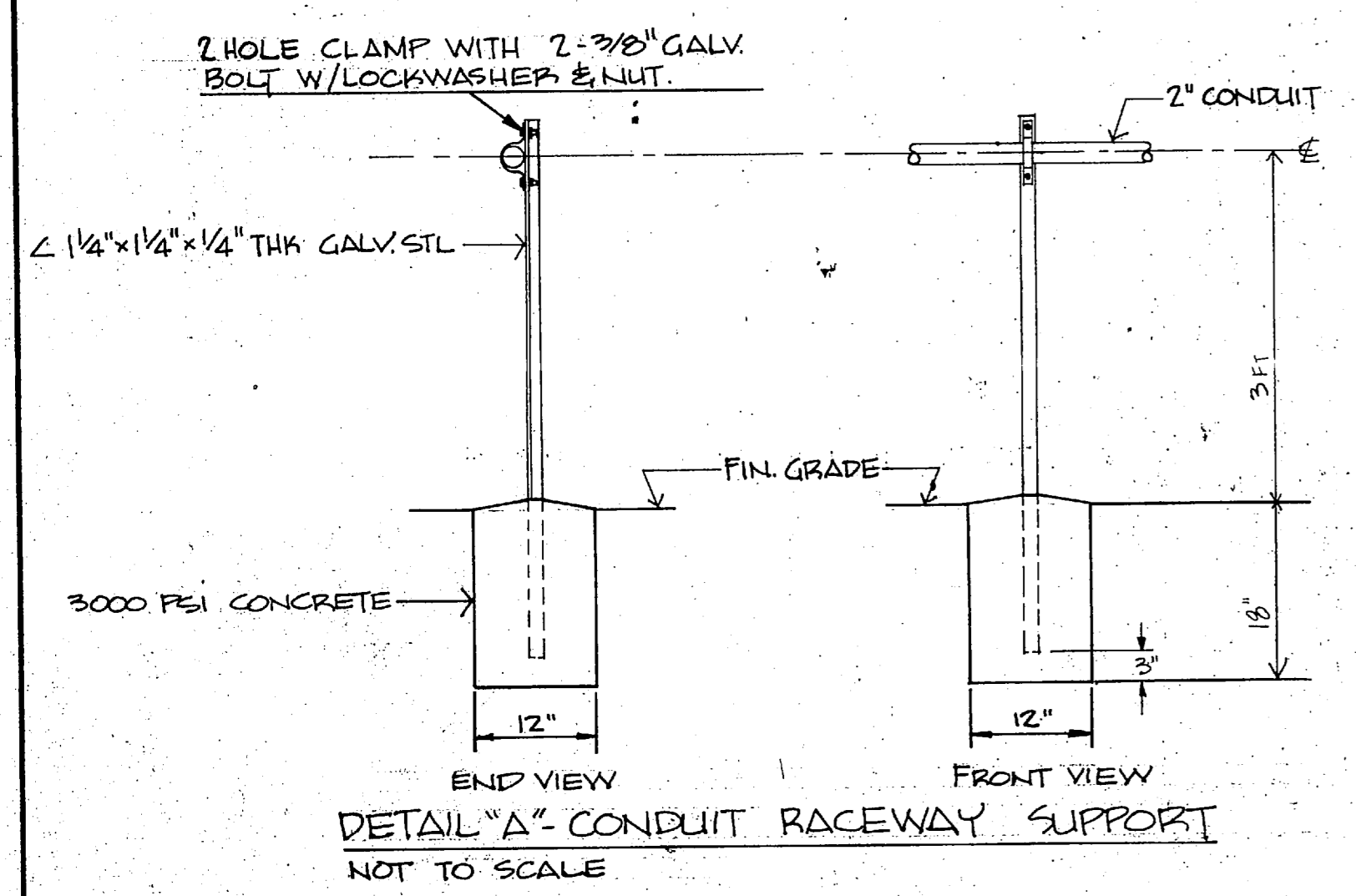


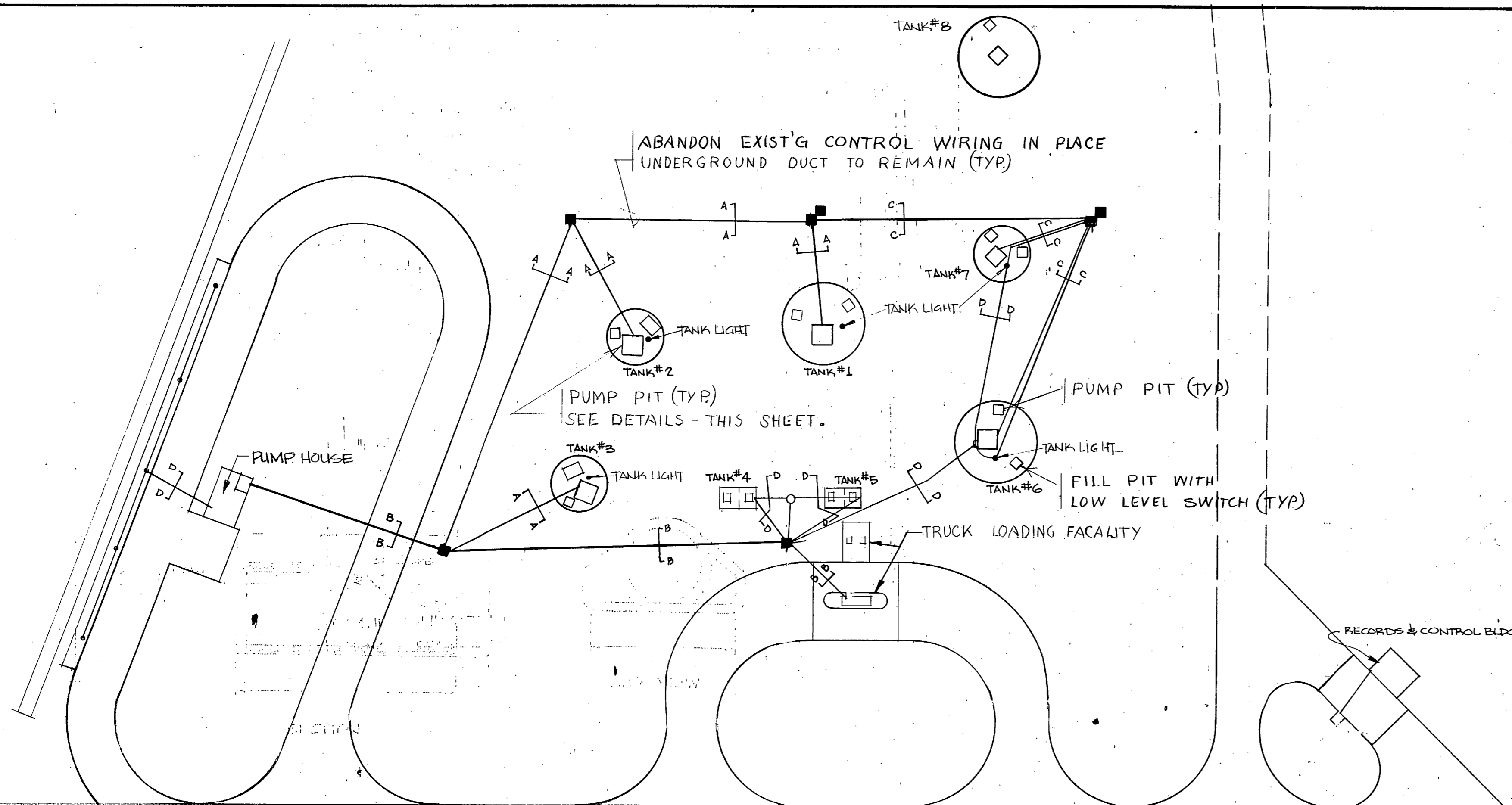
DIAGRAM F - TANK CONTROL STATION-TYPE 3
NO SCALE



DETAIL "A" CONDUIT RACEWAY SUPPORT
NOT TO SCALE

E-3	
DEPARTMENT OF THE NAVY - NAVAL FACILITIES ENGINEERING COMMAND MARINE CORPS BASE CAMP LEJEUNE, NORTH CAROLINA	
DES. A. YOUNG	RPR/RPL FUEL FARM CONTROL CIRCUITS
DR. TOM WEIGER	
CHK. A. YOUNG	2/18/85
SUBMITTED BY: A. YOUNG	CONTROL STATION & DETAILS
DESIGN DIR. [Signature]	
APPROVED: PWO OR OICC	DATE
DATE	DATE
SATISFACTORY TO:	DATE
SIZE: F	CODE IDENT. NO.: 80091
NAVFAC DRAWING NO.: 4126621	CONSTR. CONTR. NO. 10470-24-5-7936
SCALE: GRAPHIC SPEC. 05-24-1985	SHEET 3 OF 4

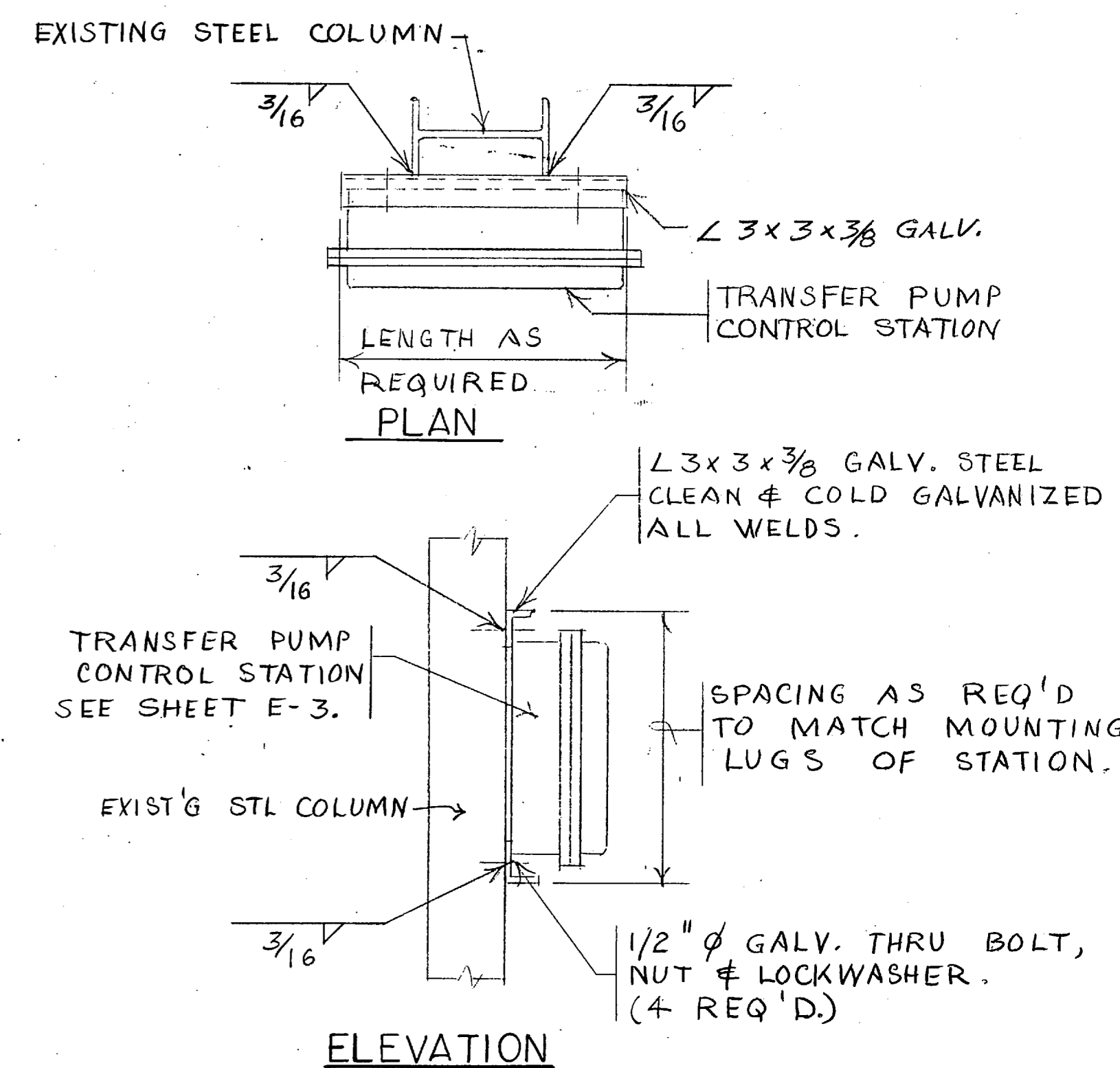
REVISIONS			
SYM.	DESCRIPTION	DATE	APPROVED



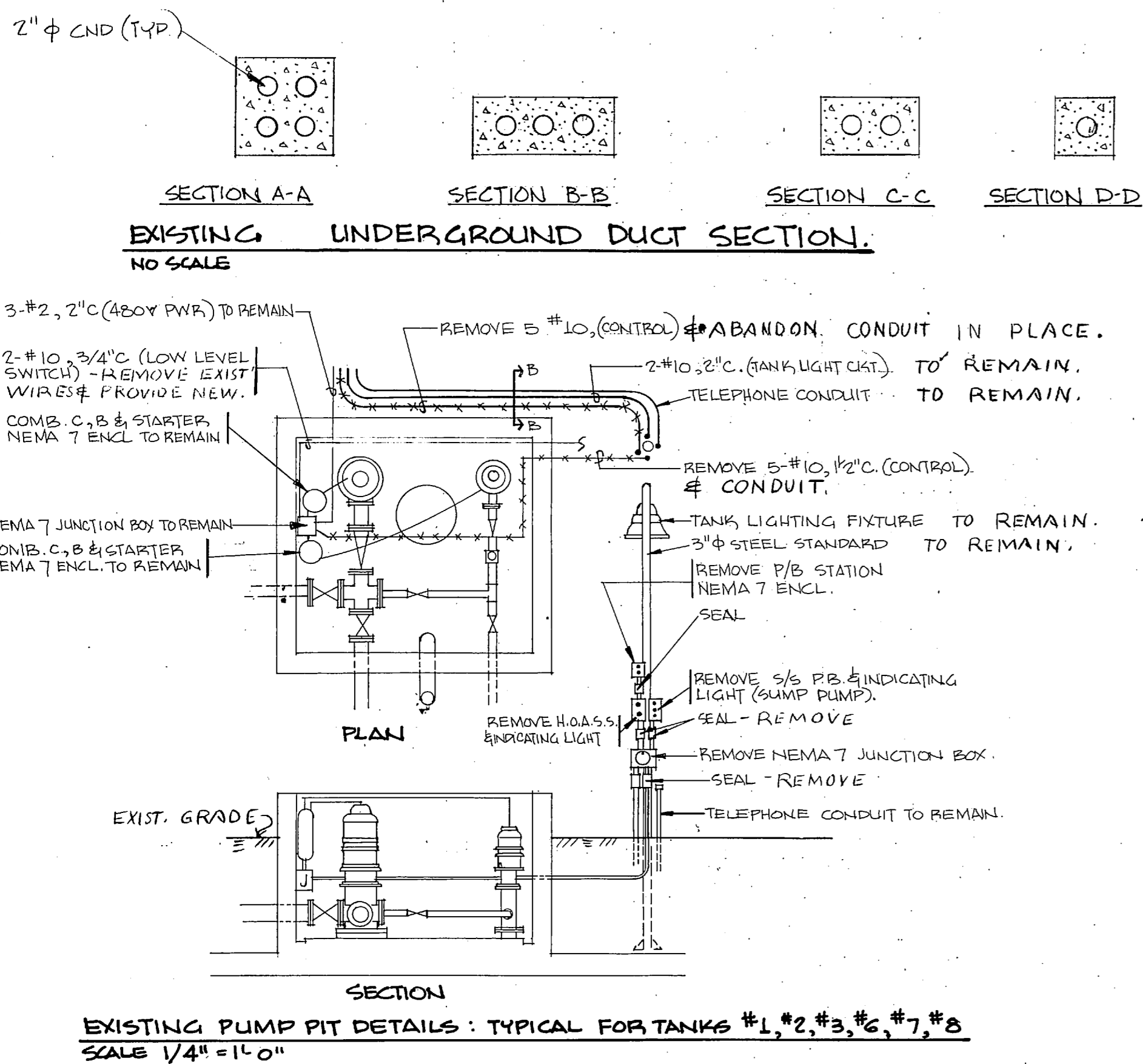
ELECTRICAL DEMOLITION PLAN
SCALE: 1" = 40' - 0"

DEMOLITION NOTES

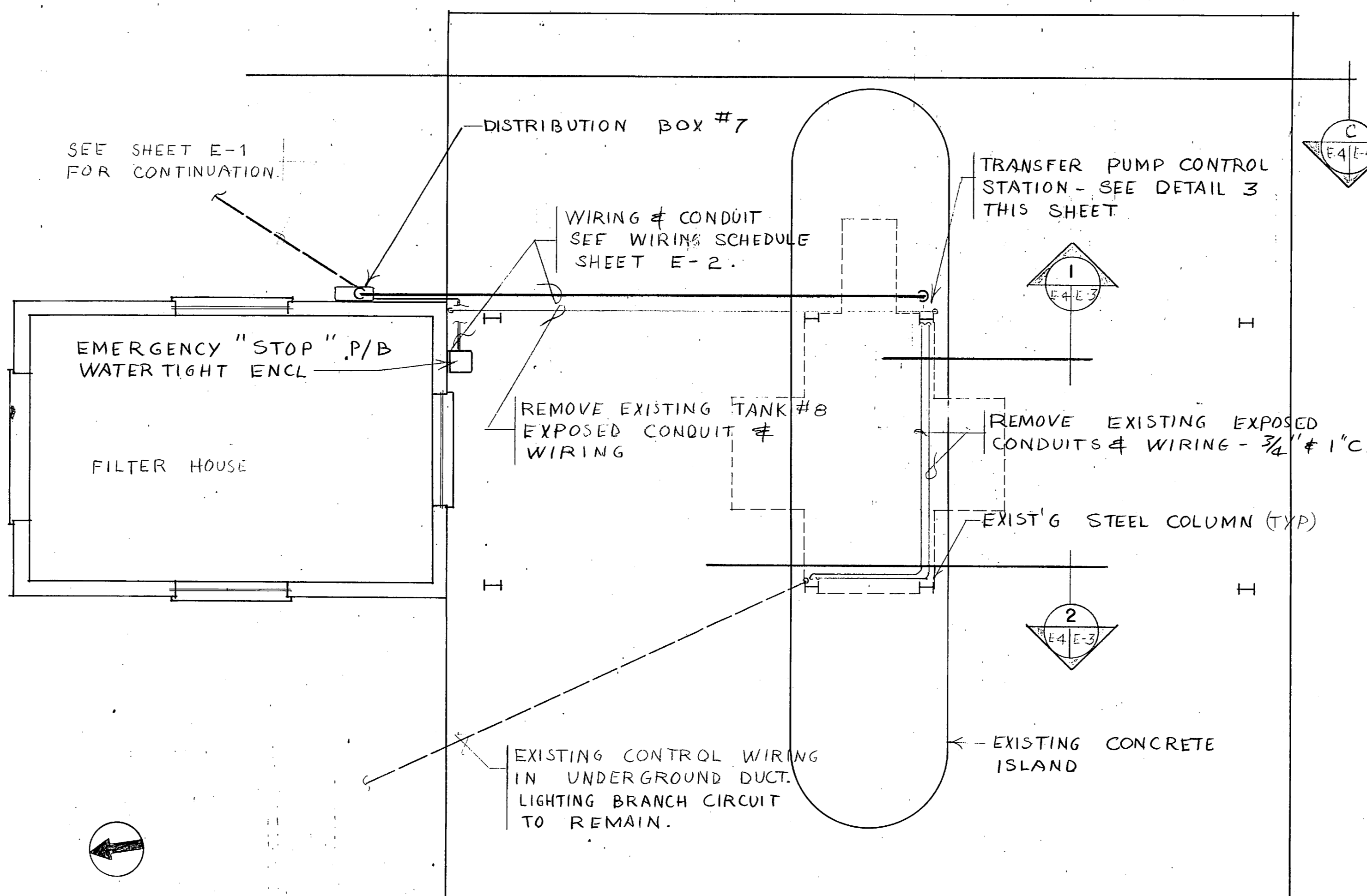
1. REMOVE EXIST'G CONTROL WIRING FROM CONTROL STATIONS TO HANDHOLES, TO MOTOR STARTERS, TO LOW LEVEL SWITCHES.
2. REMOVE EXIST'G PUSHBUTTON CONTROL STATIONS INCLUDING INDICATING LIGHTS & SELECTOR SWITCHES.
3. EXIST'G POWER & LIGHTING CIRCUITS, MOTORS, MOTOR STARTERS, TANK LEVEL SWITCHES TANK LEVEL MONITORING SYSTEM TO REMAIN.
4. SEAL ABANDONED CONDUITS.



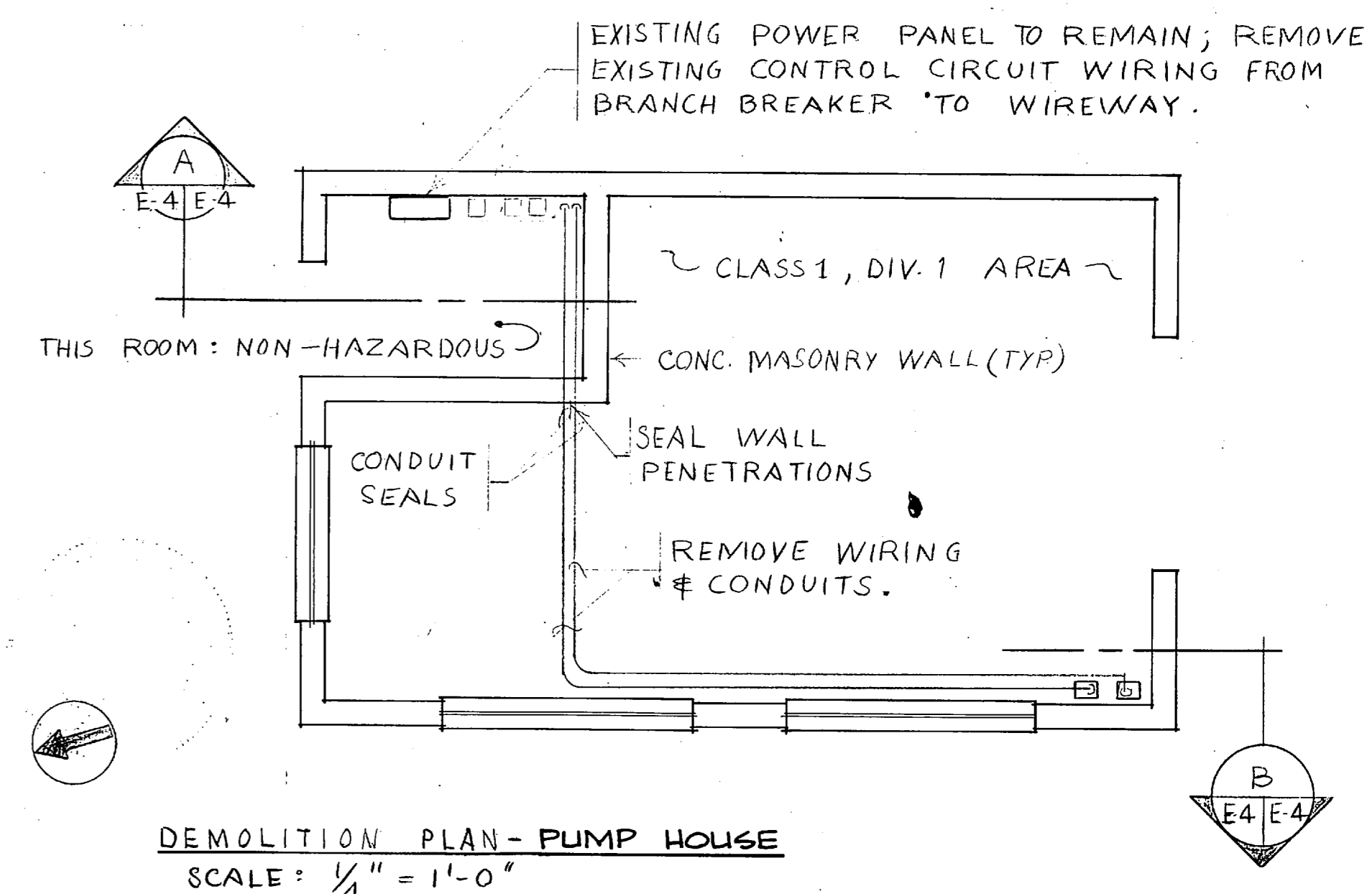
3 DETAIL
E4/E4 NO SCALE



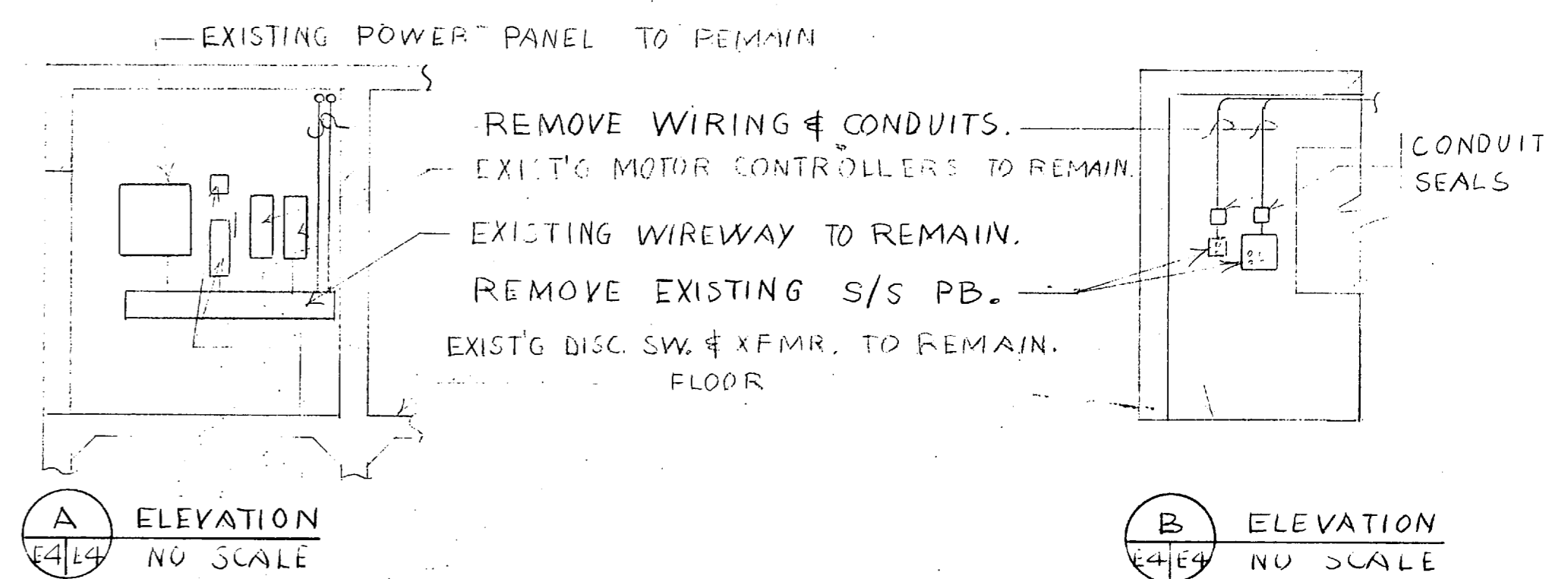
EXISTING PUMP PIT DETAILS: TYPICAL FOR TANKS #1, #2, #3, #6, #7, #8
SCALE: 1/4" = 1'-0"



ELECTRICAL PLAN - PARTIAL: TRUCK LOADING FACILITY
SCALE: 1/4" = 1'-0"

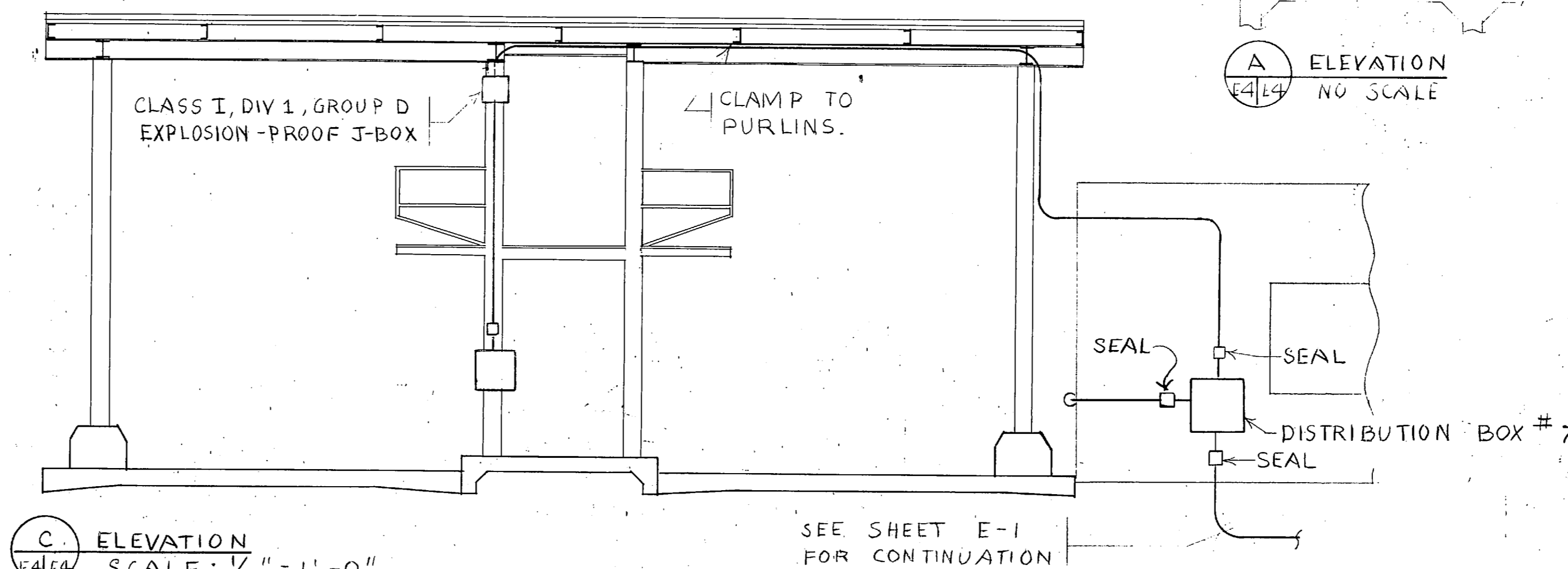


DEMOLITION PLAN - PUMP HOUSE
SCALE: 1/4" = 1'-0"

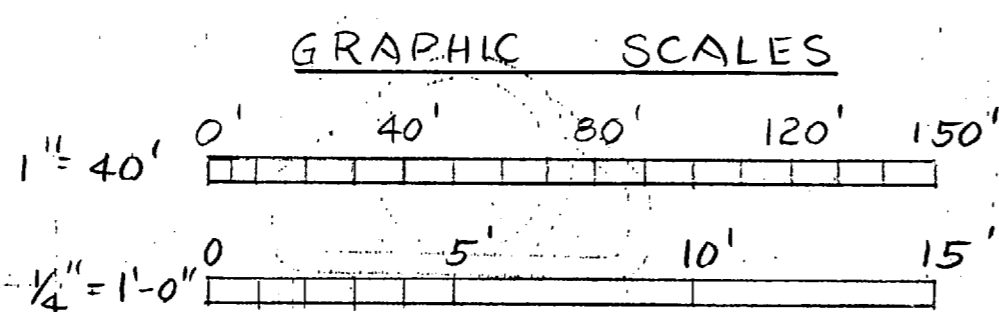


A ELEVATION
E4/E4 NO SCALE

B ELEVATION
E4/E4 NO SCALE



C ELEVATION
E4/E4 SCALE: 1/4" = 1'-0"



EXISTING PUMP PIT DETAILS: TYPICAL FOR TANKS #4 & #5
SCALE: 1/4" = 1'-0"

E-4	
DEPARTMENT OF THE NAVY MARINE CORPS BASE CAMP LEJEUNE, NORTH CAROLINA	
DES. A. YOUNG DR. T. C. WEISSENBERGER CHK. B. J. [Signature] 7/16/85 DESIGN DIR. [Signature] APPROVED: DWO OR DIC [Signature] 7/19/85 SATISFACTORY TO:	RPR/RPL FUEL FARM CONTROL CIRCUITS ELECTRICAL PLANS NAVFAC DRAWING NO. 4126622 CONSTR. CONTR. NO. N62470-84-B-7138 SCALE: GRAPHIC SPEC: 05-84-7138 SHEET 4 OF 4

