



DEFENSE LOGISTICS AGENCY  
HEADQUARTERS  
8725 JOHN J. KINGMAN ROAD  
FORT BELVOIR, VIRGINIA 22060-6221

IN REPLY  
REFER TO J627

November 09, 2011

MEMORANDUM FOR SUPPLY PROCESS REVIEW COMMITTEE (PRC) MEMBERS

SUBJECT: Approved Defense Logistics Management System (DLMS) Change (ADC) 434, Intra-DLA Revisions to the DLMS 940R, Materiel Release, and Associated Procedures to Support Directed Release of Materiel under Reutilization Business Integration (RBI) (Supply) (Staffed as PDC 441)

The attached change to DOD 4000.25-M, Defense Logistics Management System (DLMS) is approved for implementation. The updated DLMS Supplement will be posted to the DLA Logistics Management Standards Web at [www.dla.mil/j-6/dlms/eLibrary/TransFormats/formats.asp](http://www.dla.mil/j-6/dlms/eLibrary/TransFormats/formats.asp) within 10 days from the above date for implementation planning.

Addressees may direct questions to Ms. Ellen Hilert, DOD MILSTRIP Administrator, 703-767-0676 or DSN 427-0676, or email [Ellen.Hilert@dlm.mil](mailto:Ellen.Hilert@dlm.mil). Others must contact their Component designated Supply Process Review Committee representative.

A handwritten signature in black ink, appearing to read "Donald C. Pipp".

DONALD C. PIPP

Director

DLA Logistics Management Standards

Attachment  
ADC 434

cc:  
ODASD(SCI)

**ADC 434**  
**Intra-DLA Revisions to the DLMS 940R, Release Order, and Associated  
Procedures to Support Directed Release of Materiel under RBI**

**1. ORIGINATING SERVICE/AGENCY AND POC INFORMATION:**

- a. **Technical POC**: DLA Logistics Information Service Agency-LMT, J6B, 269.961.5492
- b. **Functional POC**: DLA Logistics Information Service Agency-LAR, J6B, 269.961.5135

**2. FUNCTIONAL AREA:**

- a. **Primary/Secondary Functional Area**: Primary: Inventory Management
- b. **Primary/Secondary Functional Process**: Primary: Issues

**3. BACKGROUND:**

**a. General.**

(1) The DLA Disposition Services (formerly Defense Reutilization and Marketing Service (DRMS)) is a worldwide presence within the Department of Defense, with disposal specialists in 14 foreign countries, two U.S territories, and 39 states. DLA Disposition Services mission is the execution of disposition solutions for excess military property. The Reutilization Business Integration (RBI) project will replace the DRMS Automated Information System (commonly referred to as DAISY) by integrating DLA Disposition Services business processes within the DLA enterprise suite of applications, including the Enterprise Business system (EBS).

(2) Additional data content will be required in the DLMS 940R, Materiel Release, under the enhanced business process. DLA EBS will send the DLMS 940R to the storage activity operating under the Distribution Standard System (DSS).

**b. Scenario for which the transaction is used:** There are three scenarios in which the DLMS 940R will be used that require the additional data specified in this change.

(1) The DLMS 940R will be used to communicate the release of property from a DLA Disposition Services Field Office. A Materiel Release Order (MRO), Document Identifier Code (DIC) A5\_(A,E,1,5), transaction will be sent for a sale/free issue. Based on the information on the order received by DSS, the customer will either be allowed to pick up or be shipped their property from the DLA Disposition Services Field Office, or the property will be moved to another DLA Disposition Services Field Office. A Disposal Release Order (DRO), DIC A5J, will be sent for a disposal action. A Redistribution Order, DIC A2A or A2E, will be sent for a redistribution action.

(2) The DLMS 940R will also be used to cancel a release, DICs AC6 or ACJ, or to follow-up on a cancellation request for which there has been no response, DICs AK6 or AKJ. The 940R will include a flag to indicate whether the cancellation is mandatory or optional. The cancellation request may be triggered either by the customer's request or systematically. The cancellation may be

systematically triggered if payment is not received or property characteristics change that affect the customer's eligibility to receive the property.

(3) The DLMS 940R will also be used to communicate a follow-up request for the status of an action. A DIC AF6 or AFJ will be sent on a daily basis for all open release orders in Supply Status BA indicating the item is open and is being processed for release and shipment. The standard EBS timing for this type of follow-up runs every day from 2100 to 0300 the following day.

**c. Procedures, transactions, data elements, processing details in use today:** In the current DLA Disposition Services system, there is no need to have a transaction to communicate the release, cancellation, cancellation follow-up, or status follow-up on a materiel release, since this is all handled within one system: DAISY. Transaction Type Codes (TTC) are used in DAISY to execute different actions, and with each TTC, specific data regarding the action to be taken is entered. Since today's process uses one system to manage both the orders and inventory, there is no action required to communicate the release of materiel. The order is simply created in DAISY, and after the property is removed, a materiel release confirmation is entered into DAISY to adjust the inventory. When there is a cancellation, the order is deleted within DAISY; no cancellation follow-up is required. The concept of communicating the release of materiel and of requesting a cancellation will be new for RBI.

#### **4. PROPOSED CHANGE(S):**

**a. Requested change in detail:** This change enhances the business process using the DLMS Materiel Release transaction to accommodate the additional information that will need to be sent to DSS from EBS under the RBI re-engineering.

(1) One of the new changes for RBI is the concept of containerization. Containerization is the process where by DLA Disposition Services personnel determine, based on prior experiences, that specific NSNs will sell better if they are merchandised as a set. When this is determined, the DLA Disposition Services personnel will group together the items that they want to try to sell as a set by putting them in a container. Each container will have a number which is called a Disposition Services Container Identification. However, items in a container do not necessarily have to be sold on a single order; customers may choose to requisition some items in a container without requisitioning all of them. The Disposition Services Container ID will be included on the release order. In order to communicate to DSS whether a partial or full container was requisitioned, a Disposition Services Indicator for Container Issued in Full will be sent on the DLMS 940R. The Container Issued in Full will be marked if each Disposal Turn-In Document (DTID) in the container is on an order communicated to DSS on the DLMS 940R.

(2) Additional new data content is described below.

(3) Refer to Enclosure 1 for DLMS Supplement revisions.

#### **b. Proposed procedures:**

(1) This change updates the DLMS 940R Materiel Release transaction sent between DLA Disposition Services ICP (using EBS) and the DLA Disposition Services Field Offices (using DSS). EBS will send DSS a DLMS 940R when property is ready to be released to a customer. It will also be sent to communicate a cancellation, and to communicate a follow-up request for the status of an action. This will all be done at the DTID level of detail.

**(2) Disposal Turn-In Document (DTID) Number.** The DTID Number will be passed to DSS on every MRO sent to DSS for a usable property. This will allow materiel to be released at this more detailed level of inventory. *Staffing Note:* DLA Disposition Services confirms that materiel release transactions associated with RBI will not include a document number suffix (i.e., for release of property to fill a requisition from multiple DLA Disposition Services Field Offices or from multiple DTIDs under the customer's requisition document number in order to satisfy quantity requested). Instead, separate unique document numbers will be created.<sup>1</sup>

**(3) Release of Disposition Services Property in a Container.** The customer has the option to requisition either the entire container or certain items from a container (each identified by the DTID Number) established by the DLA Disposition Services Field Office during receipt processing.<sup>2</sup> A separate requisition is sent to EBS for each item in the container regardless of whether the whole container is selected for requisition by the customer. This allows a unique document number to be generated for each item and provides visibility of the item to the customer. In the requisitions sent to EBS, there will be an indicator on the DLMS 511R transaction that will notify EBS if the whole container was requisitioned, at which time EBS can then verify that all requisitions for that container are received and processed. A similar indicator will also be on the DS 940R sent from EBS to DSS. At the time of issue, DSS can perform a similar check to validate all transactions are received for the full container, if the full container indicator is checked on the DLMS 940R. The DTID Number and the container ID will be on each DLMS 940R.

**(4) Demilitarization Code and Demilitarization Integrity Code.**

**(a)** DSS receives updates on the DEMIL and DEMIL Integrity Codes more frequently than EBS. Since EBS DEMIL data may not be as up to date as DSS, EBS needs to pass this to DSS so that it can validate that a property is still eligible for requisition by a particular customer prior to the physical release of property.

**(b)** If the DEMIL code sent on the 940R from EBS does not match what DSS has on record, DSS will hold the property for a period of time to allow EBS to catch up and send an MRO cancellation if necessary. If, at the end of the waiting period, EBS has not sent DSS an MRO cancellation, DSS will resume processing the MRO. Additionally, if the DEMIL Code is Q, DSS will also need to validate the DEMIL Integrity Codes.

**(5) Local Stock Numbers (LSN) and Unit of Use under RBI.**

**(a)** Materiel Release transactions may use the LSN assigned for materiel identification. This is applicable when property turned in to DLA Disposition Services cannot be identified to a National Stock Number (NSN).

**(b)** Additionally, if an item is turned in to the DLA Disposition Services Field Office, and the receiver identifies a NSN for the item, but the item is less than the FLIS Unit of Issue, the receiver will create a new LSN by replacing the first character of the NIIN with an "R". This form of LSN for Unit of Use will not be visible to the customer as it is provided only for intra-DLA use. The property will be identified to its NSN for DLA Disposition Services' Reutilization/Transfer/Donation (RTD) Web application. For intra-DLA use of the DLMS 940R, it will carry the unit of use

---

<sup>1</sup> Refer to PDC 453, Revisions to Procedures and DLMS 511R Requisition to Support Requisitioning from DLA Disposition Services under Reutilization Business Integration (RBI)

<sup>2</sup> PDC 434, Intra-DLA Revisions to Procedures and DLMS 527R Receipt for Use by DLA Disposition Services under Reutilization Business Integration (RBI)

LSN and the cross-reference NSN. The Unit of Use Indicator will define the quantity and unit of measure as applicable to unit of use. The Unit of Use Indicator may be carried on the transaction internally and externally with DLMS trading partners.

**(6) Funds Appropriation Number.** The Funds Appropriation Number (Fund Cite/Line of Accounting) will be passed on the MRO and will be used to identify specific orders for RTD customers. This Funds Appropriation Number will be used when it is necessary to calculate transportation costs that may be associated with certain orders that are shipped to RTD customers. The fund cite will be required for Foreign Military Sales (FMS) orders, so that when DSS receives the MRO, the Transportation Management Office (TMO) will know to which Line of Accounting to charge the shipping costs. Otherwise, TMO will not know to whom to charge shipping costs.

**Staffing Note:** Request USTRANSCOM review this procedure for compliance with Standard Financial Information Structure (SFIS) guidance. Components are advised that the DOD is in the process of implementing SFIS for all systems carrying/processing financial information (e.g., lines of accounting, fund codes). The data element for the Funds Appropriation Number was removed under ADC 435 which provides DLMS procedures for SFIS and has been re-instated under this ADC. While use of DLMS Qualifier 18 will be authorized at this time to support RBI legacy processes noted here during transition to SFIS, Components and Agencies will be required to migrate to SFIS procedures. Additional process changes will be addressed in future change proposals.

**(7) Sales Order Reference Number.** Disposition Services will include the EBS sales order number when a MRO is sent to DSS for a sales order line item. The internal header level EBS sales order number will be passed in each transaction as secondary to the DTID Number. By passing this number, DSS will be able to tie individual MROs together into one pick order. This data element is also referred to as Reference Document Number within RBI documentation.

**c. Alternatives:** None identified.

**5. REASON FOR CHANGE:** As a result of RBI, DLA Disposition Services will use EBS to manage inventory and property issues. These changes will ensure the same or better functionality exists after the implementation of RBI as before.

**6. ADVANTAGES AND DISADVANTAGES:**

**a. Advantages (tangible/intangible)** EBS and DSS will be able to comply with DLMS standards for the RBI process.

**b. Disadvantages:** None.

**7. NOTE ANY REGULATIONS OR GUIDANCE:** DOD 4160.21-M, Defense Materiel Disposition Manual; DRMS-I 4160.14 requires update.

**8. ADDITIONAL FUNCTIONAL REQUIREMENTS:** These changes are being made in the context of the RBI. Separate PDCs are being provided to document additional requirements.

**9. ESTIMATED TIME LINE/IMPLEMENTATION TARGET:** January 2012.

**10. ESTIMATED SAVINGS/COST AVOIDANCE ASSOCIATED WITH IMPLEMENTATION OF THIS CHANGE:** Not Available

**11. IMPACT:**

**a. Publications:**

(1) Requires update to DLMS 940R as shown at Enclosure 2.

(2) Requires update to DOD 4000.25-M, DLMS, to add procedures for the DLA Disposition Services RBI business process as shown at Enclosure 3.

**b. Automated Information Systems (AIS):**

(1) DLA: Impacts EBS and DSS.

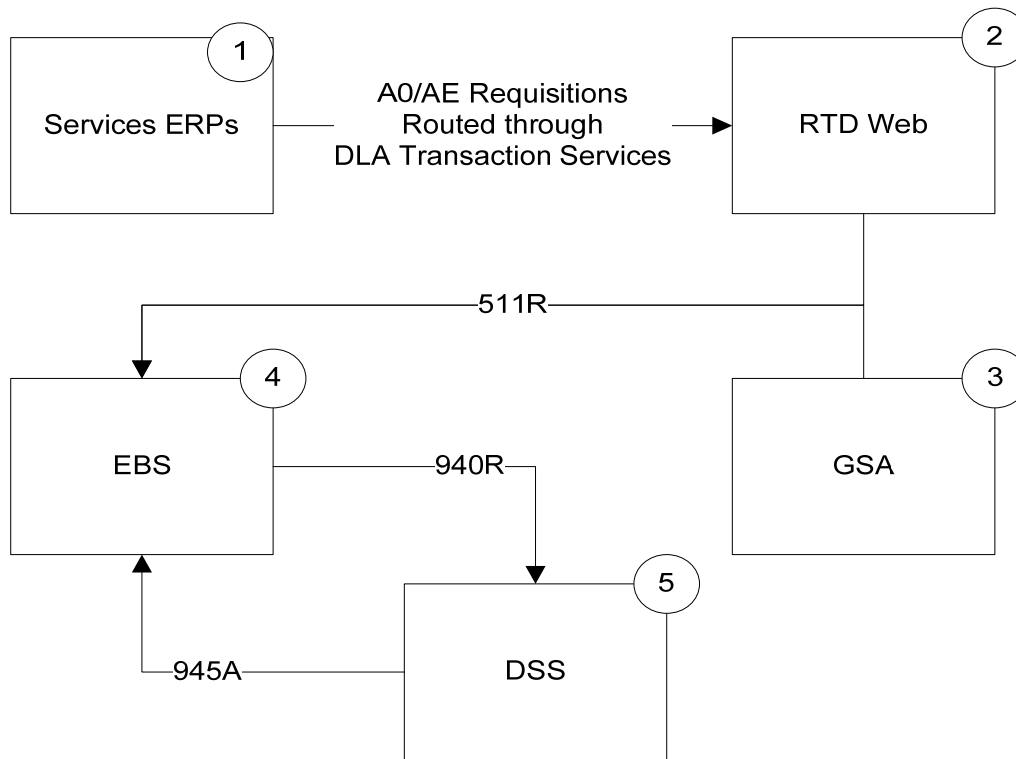
(2) Service AIS: The Services systems will not be impacted by this change. This change to the 940R transaction/process does not impact systems external to DLA. DLA will only cite the content identified below for DLA Disposition Services Release Orders to Disposition Services Field Office (EBS to DSS interface only).

**c. DLMS Data Content:** The following data are identified for use in the DLA Disposition Services DLMS 940R. These data elements may be new to this transaction or previously identified on a separate RBI change proposal. There are no known changes to existing DLMS data elements in this ADC. Refer to Enclosure 2 for the actual DLMS mapping for the DLA Disposition Services data requirements.

	<b>DS 940R Enhanced RBI Data Content</b>	<b>Definition and Usage</b>	<b>Field Length</b>
1.	DTID Number	The DTID Number required for discrete identification of property turned in to DLA Disposition Services.	14
2.	Disposition Services Container Identification Number	One container may contain several different DTIDs; a container is a way to group different properties together to be issued at once. This container ID should be passed to DSS on a MRO in order to provide more detail about the property being issued.	20
3.	Disposition Services Indicator - Container Issued in Full Indicator	This flag will indicate if all DTIDs in a container are on the same sales order. This information will be identified as a code value in the new data element Disposition Services Indicator.	1
4.	Maximum Ship Quantity	The maximum quantity is the over delivery quantity allowed that is acceptable to be issued for the MRO.	20
5.	Minimum Ship Quantity	The minimum quantity is the under delivery quantity allowed that is acceptable to be issued for the MRO.	20
6.	Sales Order Reference Number	The DLA Sales Order Reference Number when provided as a secondary reference number.	10
7.	Complete Container Count	Count of the total number of DTIDs in a single container.	9

	<b>DS 940R Enhanced RBI Data Content</b>	<b>Definition and Usage</b>	<b>Field Length</b>
8.	Transportation Mode or Method (used for identification of pick-up only):	An order may either be picked up by a customer at the DLA Disposition Services Field Office or be shipped to the customer. Inclusion of the value for pickup will indicate when this applies (otherwise this data element will be left blank): Bearer, Walk-Thru (Customer Pickup Of Materiel), DOD Code=X/ X12 Code=CE <b>Staffing Note:</b> This is the equivalent of the Disposition Services Indicator - Customer Pick-up from the DLMS 511R, Requisition.	2
9.	Cancellation Mandatory/Optional flag:	This flag will alert DSS to know whether a cancellation is mandatory or optional. A cancellation is determined to be mandatory or optional based on the reason for rejection on the order. For example, if something about the property was determined to have changed (materiel was re-identified, there was a DEMIL challenge, etc), then the cancellation is mandatory. This information will be identified as a code value in the new data element Disposition Services Indicator.	1
10.	Disposition Services Customer Type	DSS must be passed the customer type. This is required in order for DSS to prioritize the workload staging of MROs. R= Reutilization T=Transfer D= Donation S=Sales Agencies within the Department of Defense and <a href="#">Programs</a> that are provided for by regulation are reutilization customers. Transfer customers are federal agencies which may receive property from other federal agencies. Donation customers are nonprofit organizations who work with the <a href="#">State Agencies for Surplus Property (SASPs)</a> to withdraw DoD property from the DLA	1
11.	DEMIL Code	This an existing data element in FLIS already in use on DROs.	1
12.	DEMIL Integrity Code	This is an existing data element in FLIS.	1
13.	Fund Appropriation Number	Same as Funds Cite.	75

## ADC 434, Enclosure 1, Transaction Flow Diagram



1. The Services will send their DLMS 511R/A0\_/AE\_ requisitions for DLA Disposition Services through DLA Transaction Services. These transactions will be identified with Source of Supply RIC-To of S9D. DLA Transaction Services will route these transactions to RTD Web for processing.
2. The RTD Web will process Services requisitions as well as generating requisitions from the RTD Web. These transactions will be passed through DLA Transaction Services to EBS.
3. GSA will batch daily file of A0/AE requisitions and send these to DLA Transaction Services to convert these to DLMS 511R transactions to be sent to EBS.
4. EBS will receive the DLMS 511R transactions from GSA and the RTD Web, process these and then trigger a Materiel Release Order (MRO) via a DLMS 940R transaction to DSS.
5. DSS provides a DLMS 945A Materiel Release Confirmation that the item was issued.



ADC 434, Enclosure 2, DLMS Supplement Revisions

#	Location	DS 940R Materiel Release	Reason
1.	DLMS Introductory Notes	<p><u>Add ADC 434 to DLMS Introductory Note 6:</u></p> <p><b>- ADC 434, Intra-DLA Revisions to the DLMS 940R, Materiel Release Order, and Associated Procedures to Support Directed Release of Materiel under Reutilization Business Integration (RBI)</b></p>	Identifies DLMS Changes included in the DS.
2.	1/ W0501/0200	<p><u>Insert new DLMS note 3 as shown:</u></p> <p>Z Mutually Defined  <b>DLMS Note:</b>            1. Use to identify the Unit of Use Indicator. When included, the quantity and unit of measure values associated with this transaction are applicable to the unit of use.            2. Authorized DLMS enhancement under DLA industrial activity support agreement. Refer to ADC 381.            3. <b>Authorized DLMS enhancement for DLA Disposition Services. Refer to ADC 434.</b>            4. At this time a local code ‘Z’ is established for use in 940R, version 4030. A data maintenance action will be submitted for establishment of ‘Z-Mutually Defined’ in a future version.</p>	Expands applicability as required under RBI.
3.	2/W0104/0200	<p><u>Insert new DLMS note 4 as shown:</u></p> <p>SW Stock Number  <b>DLMS Note:</b>            1. Use to identify the local stock number (LSN).            2. When used for a unit of use LSN, the applicable NSN may be included for cross-reference. May also be used for identification of LSNs assigned for part-numbered item requisitioning.            3. Authorized DLMS enhancement under DLA industrial activity support agreement. Refer to ADC 381.            4. <b>Authorized DLMS enhancement for DLA Disposition Services. Refer to ADC 434.</b></p>	Expands applicability as required under RBI.

#	Location	DS 940R Materiel Release	Reason
4.	2/W0106/0200	<p><u>Insert new DLMS note 4 as shown:</u></p> <p>FS National Stock Number  <b>DLMS Note:</b>  <i>1. Use to identify the NSN.</i>  <i>2. The NSN is provided as a cross-reference when unit of use indicator is included and the Local Stock Number (LSN) is identified as the primary materiel identification.</i>  <i>3. Authorized DLMS enhancement under DLA industrial activity support agreement; refer to ADC 381.</i>  <i>4. Authorized for intra-DLA use between DLA Disposition Services and DLA Disposition Field Offices. DLMS enhancement; Refer to ADC 434.</i></p>	Expands applicability as required under RBI.
5.	2/N901/0400	<p><u>Add qualifier 98 with DLMS note:</u></p> <p><b>98 Container/Packaging Specification Number</b>  <b>DLMS Note:</b> <i>Use to represent DLMS data element Disposition Services Container Identification (ID). DLA Disposition Services uses the container ID on <del>Disposal</del> Release Orders to link the DTID to the applicable container. DLMS enhancement; refer to ADC 434.</i></p>	Supports RBI requirement.
6.	2/N907-01 /0400	<p><u>Add qualifier W1 with DLMS notes:</u></p> <p><b>W1 Disposal Turn-In Document Number</b>  <b>DLMS Note:</b>  <i>1. Use to identify the Disposal Turn-In Document (DTID) number when provided as a secondary reference number. The DTID Number is a unique number to identify property turned into a DLA Disposition Service Field Office.</i>  <i>2. Use in conjunction with the controlling document number for the transaction cited N901 code TN</i>  <i>3. Authorized for intra-DLA use between DLA Disposition Services and DLA Disposition Field Offices. DLMS enhancement; Refer to ADC 434.</i></p>	Adds the DTID as a secondary reference number to support RBI.

#	Location	DS 940R Materiel Release	Reason
7.	2/N907-03/ 0400	<p>Open composite for use of N907-03-04. Add qualifiers 0I (zero 0/alpha I) with DLMS note:</p> <p><b>0I Comparable Property Sale Reference Number</b>  <b>DLMS Note:</b>  <i>1. Use to identify the DLA Sales Order Reference Number when provided as a secondary reference number.</i>  <i>2. Use in conjunction with the controlling document number for the transaction cited N901 code TN and the DTID Number cited in N907 code W1.</i>  <i>3. Authorized for intra-DLA use between DLA Disposition Services and DLA Disposition Field Offices. DLMS enhancement; Refer to ADC 434.</i></p>	<p>Adds the EBS Sales Order Reference Number as a secondary reference number to support RBI.</p>
8.	2/QTY/0700  2/QTY01/0700	<p><u>Delete segment level note and add new qualifiers with DLMS notes:</u></p> <p><del><b>DLMS Note:</b> <i>Use in disposal release orders to identify the retention quantity.</i></del></p> <p><b>MQ Maximum Ship Quantity</b>  <b>DLMS Note:</b> <i>DLA Disposition Services uses to identify the maximum quantity (i.e., over delivery quantity) allowed that is acceptable to be issued for the MRO. DLMS enhancement; Refer to ADC 434.</i></p> <p><b>67 Minimum Ship Quantity</b>  <b>DLMS Note:</b> <i>DLA Disposition Services uses to identify the minimum quantity (i.e., under delivery quantity) allowed that is acceptable to be issued for the MRO. DLMS enhancement; Refer to ADC 434.</i></p> <p><b>OC Order Count</b>  <b>DLMS Note:</b> <i>DLA Disposition Services uses to identify the total number of DTIDs in a specified container. DLMS enhancement; Refer to ADC 434.</i></p>	<p>DLMS segment level note is obsolete.</p> <p>Supports RBI requirement.</p>

#	Location	DS 940R Materiel Release	Reason
9.	2/G66/1000  2/G6602/1000	<p><u>Revise segment level and data element level DLMS notes as shown:</u></p> <p><b>DLMS Note:</b> <i>Use to request premium transportation services, <del>not</del> for Security Assistance materiel release administrative closure to identify the mode of shipment, and to indicate DLA Disposition Services customer pick-up.</i></p> <p><b>Transportation Method/Type Code</b> <b>DLMS Note:</b></p> <ol style="list-style-type: none"> <li>1. Use <del>only</del> for Security Assistance materiel release administrative closure to identify the mode of shipment to the carrier as identified in the materiel release acknowledgement.</li> <li>2. <i>DLA Disposition Services uses to indicate that an order will be picked up by a customer at the DLA Disposition Services Field Office. Only the code indicating customer pickup is applicable, otherwise not used. DLMS enhancement; Refer to ADC 434.</i></li> <li>3. DLMS users see the Transportation Mode of Shipment Conversion Table for available codes.</li> </ol>	Supports RBI requirement.
10.	2/LQ01/1300	<p><u>Add new "local code" qualifiers with DLMS note:</u></p> <p><b>DSC Disposition Services Customer Type</b> <b>DLMS Note:</b></p> <ol style="list-style-type: none"> <li>1. <i>Use to identify the DLA Distribution Services Customer Type. The customer type is used by the DLA Distribution Services Field Office to prioritize workload. Cite the applicable code: R= Reutilization T=Transfer D= Donation S=Sales</i></li> <li>2. <i>At this time a local code 'DSC' is established for use in 940R, version 4030. A data maintenance action has been submitted for establishment of 'DSC - Disposition Services Customer Type in a future version.</i></li> <li>3. <i>Authorized for intra-DLA use between DLA Disposition Services and DLA Disposition Field Offices. DLMS enhancement; Refer to ADC 434.</i></li> </ol>	Supports RBI requirement.

#	Location	DS 940R Materiel Release	Reason
11.	2/LQ01/1300	<p><u>Add DLMS note 3 to existing qualifier FD:</u></p> <p><b>FD Demilitarization Code</b>  <b>DLMS Note:</b> 1. Use idisposal release orders and historical disposal release orders, to identify any demilitarization actions which must take place prior to disposal.  2. Use when this transaction supports the Retail Transportation and Supply Receipt and Acknowledgement Interchange SBSS interface with CMOS when FLIS item data is not otherwise available to CMOS.  3. <i>Authorized DLMS enhancement for DLA Disposition Services in redistribution orders. Refer to ADC 434.</i></p>	Supports RBI requirement.
12.	2/LQ01/1300	<p><u>Add new qualifier DSI with notes:</u></p> <p><b>DSI Disposition Services Indicator</b>  <b>DLMS Note:</b></p> <p><i>1. Use to provide relevant information applicable to the DLA Disposition Services business process supported by this transaction on an intra-DLA basis. Use multiple repetitions of the LQ Segment to include all applicable codes. Authorized DLMS enhancement for use by DLA Disposition Services. Refer to ADC 434.</i></p> <p><i>2. The following Disposition Services Indicator values are available for use in the materiel release transaction:</i></p> <p><i>CIF – Container Issued in Full. Use to indicate that all DTID Numbers applicable to the specified container is issued on the same release order.</i></p> <p><i>CM – Cancellation Mandatory. Use to indicate to the DLA Disposition Field Office that the cancellation of the materiel release is mandatory.</i></p> <p><i>CO – Cancellation Optional. Use to indicate to the DLA Disposition Field Office that the cancellation of the materiel release is optional.</i></p> <p><i>3. At this time a local code ‘DSI’ is established for use in 940R, version 4030. A data maintenance action has been submitted for establishment of ‘DSI-Disposition Services Indicator’ in a future version.</i></p>	Supports RBI requirement.
13.	2/LQ01/1300	<p><u>Add new qualifier DMI with notes:</u></p> <p><b>DMI Demilitarization Integrity Code</b>  <b>DLMS Note:</b> <i>1. Use to identify the DEMIL Integrity Code</i>  <i>2. At this time a local code ‘DMI’ is established for use in 940R, version 4030. A data maintenance action has been submitted for establishment of ‘DMI -Demilitarization Integrity Code’ in a future version.</i></p>	Supports RBI requirement.

#	Location	DS 940R Materiel Release	Reason
14.	2/FA201/ 3000	<p data-bbox="378 226 927 260"><u>Add DLMS notes for existing qualifier 18:</u></p> <p data-bbox="378 302 716 336"><b>18 Funds Appropriation</b></p> <p data-bbox="378 338 557 371"><b>DLMS Note:</b></p> <p data-bbox="378 373 1016 407">1. Use to indicate the basic appropriation number.</p> <p data-bbox="378 422 1247 491">2. <i>Authorized DLMS enhancement for DLA Disposition Services. Refer to ADC 434.</i></p>	Supports RBI requirements.
<b>Administrative Corrections</b>			
1.	940R 2/W0104/0200	<p data-bbox="378 617 902 651"><u>Revise data element DLMS note to read:</u></p> <p data-bbox="378 688 1252 940">Use only one of codes A1, A2, A4, FB, FS, FT, MG, <del>N4</del>, SW, YP, ZR, or ZZ to identify the materiel. Must use National Stock Number (NSN) when known, except when appropriate brand name subsistence items are identified by the Subsistence Identification Number or when maintenance/industrial activity materiel is identified by Local Stock Number or Materiel Control Tracking (MCT) tag number.</p>	Administrative correction to add missing value associated with prior DLMS change.

## Enclosure 3, DLMS Manual Revisions

Revise DOD 4000.25-M, Volume 2, Chapter 16, as follows<sup>3</sup>:

### C16.1.4. Processing Requisitions by ~~DRMS~~ *DLA Disposition Services*.

***C16.1.4.1. Matériel Release. The 940R, Matériel Release Order (MRO) (Transaction Type Code 'NA') will be used to direct the release of property from a DLA Disposition Services Field Office. The MRO will be sent from DLA Disposition Services to the Field Office when matériel is being issued as a result of sales, reutilization, transfer or donation. The matériel release process will be accomplished at the DTID level of detail. Rules in DLMS Vol. 2, Chapter 4 apply to the MRO process; however, the transaction may contain the following data to support disposal processing as described below: DTID Number, Disposition Container ID, Container Issued in Full Indicator, Minimum/Maximum Ship Quantity, Sales Order Reference Number, Complete Container Count, Transportation Mode or Method, Cancellation Mandatory/Optional Flag, Customer Type, DEMIL Code, DEMIL Integrity Code, and/or Funds Appropriation Number.***

***C16.1.4.1.1. Disposal Turn in Document (DTID) Number . The DTID Number will be passed to DLA Disposition Services Field Offices on every MRO sent to DLA Disposition Services Field Offices for a usable property. This will allow matériel to be released at a more detailed level of inventory.***

***C16.1.4.1.2. Customer Pick Up. Information contained in the MRO will indicate whether the matériel will be picked up by the customer or shipped. DoD Transportation Mode Code of 'X' will be used to indicate customer pick up; otherwise, the data element will be left blank.***

***C16.1.4.1.3. Minimum/Maximum Ship Quantity. These quantities will identify allowable over and under release quantities.***

***C16.1.4.1.4. Disposition Services Customer Type. This data element is used by the DLA Disposition Services Field Office to prioritize the workload stating of MROs. The codes used are: R (Reutilization) - Agencies within the DoD and programs that are provided for by regulation; T (Transfer) - Customers who are Federal Agencies which may receive property from other Federal Agencies; D (Donation) - Customers who are non-profit organizations who work with the State Agencies for Surplus Property (SASPs) to withdraw DoD property; and S (Sales).***

***C16.1.4.1.5. Property in a Container. MROs generated by the DLA Disposition Services for requisitioned items associated with a container will have the Disposition Services Container ID identified on the MRO. In addition to the Disposition Services Container ID, MROs generated based on the customer ordering the entire container will contain a Disposition Services Indicator for Container Issued in Full and the count of the total number of DTIDs within the container. This***

---

<sup>3</sup> Revisions to Chapter 16 identified by red text over lap with those shown in ADC 449, Intra-DLA Revisions to the DLMS 945A, Matériel Release Advice, Cancellation Reason Code, Management Codes, and Associated Procedures under RBI, and ADC 460, Revises DLMS Supplement 869C, Requisition Cancellation and associated Procedures in Support of Reutilization Business Integration RBI.

*will allow DLA Disposition Service Field Offices to insure that an MRO for each item/DTID associated with a container is received and processed. Upon shipment of the materiel for each MRO, the DLA Disposition Service Field Offices will send the 856S Shipment Status (Transaction Type 'AS') to the customer containing DTID, customer or RTD Web-generated requisition document number, and associated Disposition Container ID.*

*C16.1.4.1.6. Demilitarization Code and Demilitarization Integrity Code. DLA Disposition Services passes these data elements to the DLA Disposition Services Field Offices in order to validate that a property is still eligible for requisition by a particular customer prior to the physical release of property. Based upon frequency and timing of updates, the DEMIL and DEMIL Integrity Codes resident in DLA Disposition Services Field Office records may be more current than the data passed in the MRO by DLA Disposition Services. Therefore, if the DEMIL code sent on the 940R, MRO, does not match the DLA Disposition Services Field Office record, the Field Office will hold the property for a period of time to allow DLA Disposition Services records to be updated, and send an MRO cancellation if necessary. Additionally, if the DEMIL Code is Q, the Field Office will also need to validate the DEMIL Integrity Codes prior to release. If at the end of an established waiting period DLA Disposition Services has not sent the MRO cancellation, the Field Office will resume processing.*

*C16.1.4.1.7. Local Stock Number (LSN)/Unit of Use. The 940R will carry the unit of use LSN and the cross-reference NSN. The Unit of Use Indicator will define the quantity and unit of measure as applicable to unit of use. See paragraph 16.6.1. below for assignment and use of LSNs, including Unit of Use LSNs.*

*C16.1.4.1.8. Funds Appropriation Number. This number will be used on the 940R, MRO, when there are transportation costs that may be associated with certain orders that are shipped to RTD customers. For FMS orders, it is required by the Transportation Management Office (TMO) in order to correctly charge shipping costs.*

*C16.1.4.1.9. Sales Order Reference Number. DLA Disposition Services will include the sales order number on the 940R, MRO sent to DLA Disposition Services Field Offices to direct release of a sales order line item. The sales order reference number will be passed in each transaction as secondary to the DTID Number. This will enable the Field Office to identify all associated MROs into a single pick order.*

*C16.1.4.2. Materiel Release Order Denial. The DLA Disposition Service Field Office will send DLA Disposition Services the 945A, Materiel Release Order Denial (Transaction Type Code NK), with the appropriate management code, to communicate a denial for materiel when materiel no longer exists or when materiel has been damaged prior to customer pickup. This will include the use of denial management code "Q" for instances where there is enough on-hand materiel to fill the order, but not enough materiel on the disposal turn in document (DTID) number specified on the MRO.*

*C16.1.4.3. Materiel Release Order Confirmation. When confirming MROs, the DLA Disposition Services Field Office will provide the 945A, Materiel Release Order Confirmation (Transaction Type Code NJ) to the DLA Disposition Services following the prescribed rules in DLMS Volume 2, Chapter 4. However, in addition, this transaction will always contain the disposal turn-in document (DTID) number or a unique value assigned by DLA Disposition Services during receipt and carried as a DTID number allowing release at a more detailed level of inventory.*



***C16.1.4.4. Follow-up for Materiel Release Order Status. The 940R, MRO Follow-Up (Transaction Type Code ‘NB’) will be used to communicate the follow-up request for status on open MROs. The DLA Disposition Services Field Office shall provide MRO status using the 945A, Materiel Release Order Status (Transaction Type Code NL), as prescribed in DLMS Volume 2, Chapter 4.***

***C16.1.4.5. Requisition and Materiel Release Cancellation.***

***C16.1.4.5.1. Customer Requisition Cancellations Based Upon Submission of 869C, Customer Cancellation Request (Transaction Type Code ‘ND’). (Procedures to be documented separately.)***

***C16.1.4.5.2. MRO Cancellations Requiring an MRO Cancellation Request Transaction. The 940R, MRO Cancellation Request (Transaction Type Code ‘ND’) will be used to request cancellation of a MRO, and to follow-up on cancellation requests for which there has been no response. The MRO cancellation request can be triggered either by the customer’s submission of an 869C, Cancellation (Transaction Type Code ‘AC’) as described above, or systemically by DLA Disposition Services if required payment is not received or when an item property characteristics change affects the customer’s eligibility to receive the property, e.g., DEMIL code change. The MRO cancellation request will contain the DTID of the materiel to be cancelled and may contain a Disposition Services Indicator for Cancellation Action Mandatory. Normally systemic cancellations requested by DLA Disposition Services will carry the mandatory cancellation indicator. The Field Office will reply to the 940R MRO Cancellation Request with a 945A, Materiel Release Cancellation Advice (Transaction Type Code ‘NR’) or Materiel Release Status (Transaction Type Code ‘NL’). Upon receipt of the 945A, the DLA Disposition Services will adjust inventory as appropriate. For unit of use LSNs, the 945A will carry the unit of use LSN and the cross-reference NSN. The Unit of Use Indicator will define the quantity and unit of measure as applicable to unit of use. See paragraph 16.6.1. below for assignment and use of LSNs, including Unit of Use LSNs.***

***C16.1.4.5.3. Customer Requisition Cancellation without Submission of 869C, Customer Cancellation Request (Transaction Type Code ‘AC’) or the Subsequent 940R, Materiel Release Order Cancellation Request (Transaction Type Code ‘ND’). DLA Disposition Services allows cancellation of submitted requisitions based upon customer declining the ordered materiel available for pick up at the Disposition Services Field Office. In these instances, the DLA Disposition Field Office shall notify DLA Disposition Services of the cancellation by providing the 945A, Materiel Release Order Cancellation Confirmation (Transaction Type Code NR), which will contain DLMS Cancellation Reason Code D, E, F, G, H, or I, as appropriate. Subsequently, DLA Disposition Services shall communicate requisition status to their RTD Web in order to make the cancellation visible to the customer.***

***C16.1.4.5.4. DLA Disposition Services shall not process mass cancellation requests.***

**Enclosure 4, Response to PDC Staffing**

	<b>Originator</b>	<b>Response/Comment</b>	<b>Disposition</b>
1.	Navy	Navy concurs with PDC 435 as written and submits no additional changes or amendments.	Noted.
2.	Army	HQDA DCS G-44(S) Concurs with PDC 441 without comment.	Noted.
3.	Air Force	The Air Force concurs with PDC 441 w/o comments.	Noted.
4.	Marine Corps	Concur as written.	Noted.
5.	DFAS	No comment.	Noted.
6.	USTRANSCOM	Abstain.	Noted.
7.	DLA Logistics Management Standards	Include a minor administrative change to the 940R and 945A when you converting PDC 441 and 442 to an ADC for RBI. When "N4 - National Drug Code in 5-4-2 Format" to the 940R /945A in ADC 316D, was added, the new code should also have been added to the data element level note about using only 1 of the following codes to identify the item.	Fixed.
8.	DLA Disposition Services	Requesting SA/LW by serial number has NEVER been a Disposition Services. Requisitions will be for quantity and stock number against a specific DTID (usually). Serial numbers selected and issued will be recorded at packing/shipment.	ADC updated to remove references to directed release of SA/LW by serial number.